



US00D773766S

(12) **United States Design Patent**
Smith et al.

(10) **Patent No.:** **US D773,766 S**

(45) **Date of Patent:** **** Dec. 6, 2016**

(54) **FLOOR SQUEEGEE DEVICE**

(71) Applicant: **Unger Marketing International, LLC**,
Bridgeport, CT (US)

(72) Inventors: **Robert F. Smith**, Waterbury, CT (US);
James M. Buckley, New Hartford, CT
(US); **Paul Adams**, Monroe, CT (US)

(73) Assignee: **UNGER MARKETING
INTERNATIONAL, LLC**, Bridgeport,
CT (US)

(**) Term: **14 Years**

(21) Appl. No.: **29/504,560**

(22) Filed: **Oct. 7, 2014**

(51) **LOC (10) Cl.** **04-01**

(52) **U.S. Cl.**

USPC **D32/41**

(58) **Field of Classification Search**

USPC D32/40-42, 46-49; D8/33, 47, 90, 93;
D4/118, 199; D24/146-147

CPC A47L 1/06; A47L 13/24; A47L 15/0081
See application file for complete search history.

(56) **References Cited**

U.S. PATENT DOCUMENTS

1,497,933 A 6/1924 Oberti
1,500,274 A * 7/1924 Scarling A47L 1/08
15/245

1,720,630 A 11/1925 Eiermann
1,918,611 A 7/1933 Oberti

(Continued)

FOREIGN PATENT DOCUMENTS

DE 102007027124 A1 10/2008
FR 2691348 A3 12/1993

(Continued)

OTHER PUBLICATIONS

Amazon.com: Ettore 17008 All-Purpose Squeegee, online, review
date Oct. 30, 2013, http://www.amazon.com/Ettore-17008-All-Purpose-Squeegee-8-Inch/dp/B000BQU0CQ/ref=sr_1_42?ie=UTF8&qid=1461701348&sr=8-42&keywords=squeegee, [site visited
Apr. 26, 2016 4:10:40 PM].*

(Continued)

Primary Examiner — John Windmuller

Assistant Examiner — John R Yeh

(74) *Attorney, Agent, or Firm* — Ohlandt, Greeley,
Ruggiero & Perle, LLP

(57) **CLAIM**

The ornamental design for a floor squeegee device, as shown
and described.

DESCRIPTION

FIG. 1 is a front perspective view of a floor squeegee device
according to the present disclosure;

FIG. 2 is another front perspective view of the floor squee-
gee device of FIG. 1;

FIG. 3 is a rear perspective view of the floor squeegee device
of FIG. 2;

FIG. 4 is a front view of the floor squeegee device of FIG.
2;

FIG. 5 is a rear view of the floor squeegee device of FIG. 2;
FIG. 6 is a first side view of the floor squeegee device of
FIG. 2;

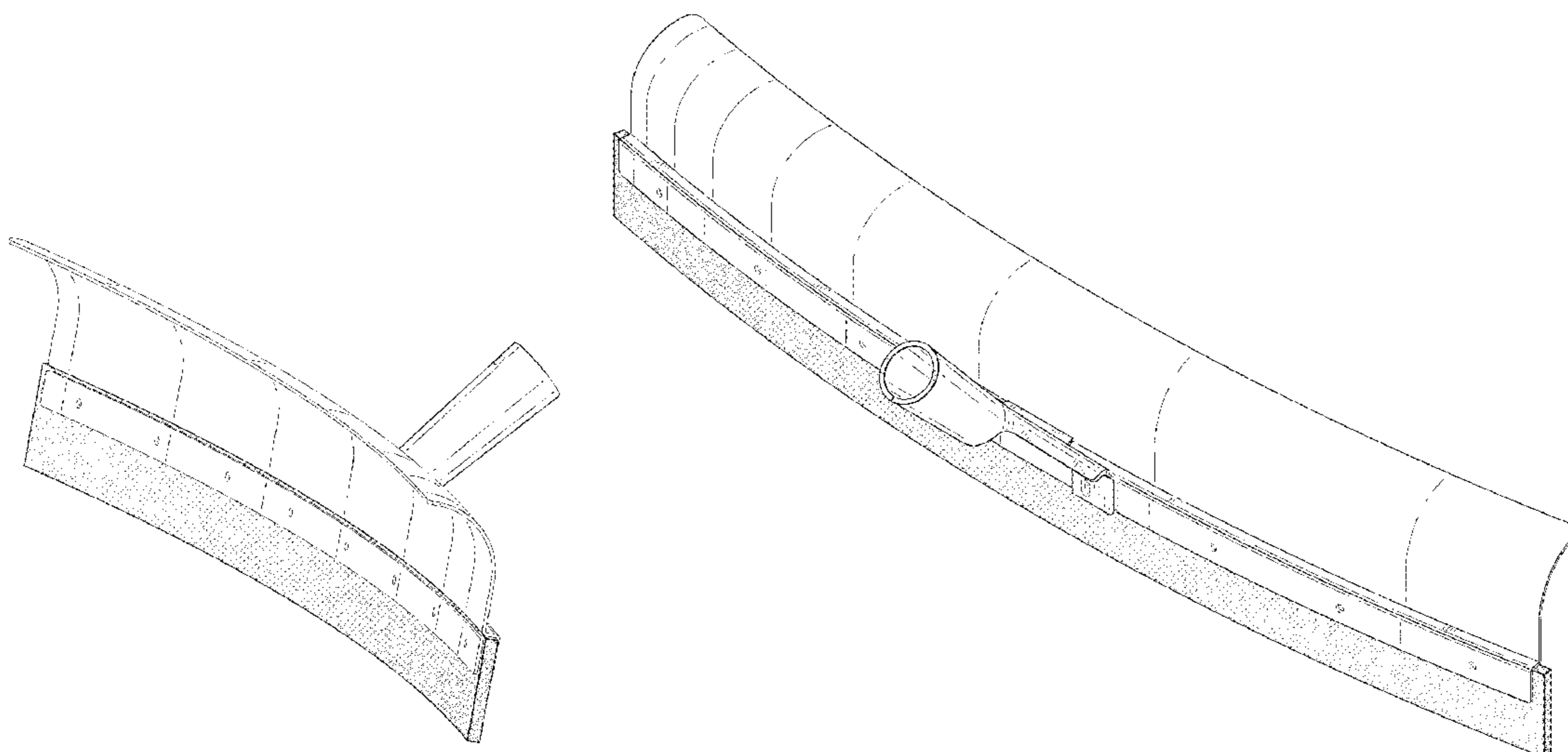
FIG. 7 is a second, opposite side view of the floor squeegee
device of FIG. 2;

FIG. 8 is a top view of the floor squeegee device of FIGS.
2; and,

FIG. 9 is a bottom view of the floor squeegee device of FIG.
2.

The broken lines represent portions of the floor squeegee
device that form no part of the claimed design.

1 Claim, 6 Drawing Sheets



(56)

References Cited

U.S. PATENT DOCUMENTS

1,964,134 A 6/1934 Oberti
 2,043,775 A * 6/1936 Rosen A47L 1/06
 15/245
 2,088,777 A * 8/1937 Dennis A47L 1/06
 15/245
 2,123,638 A * 7/1938 Steccone A47L 1/06
 15/245
 2,197,927 A * 4/1940 Ehrlich A47L 1/06
 15/245
 2,225,432 A * 12/1940 Ginsberg A47L 1/06
 15/145
 2,230,489 A * 2/1941 Grossfeld A47L 1/06
 15/245
 2,261,475 A * 11/1941 Kautenberg A47L 1/06
 15/245
 D173,462 S * 11/1954 Schmoller D32/41
 2,905,959 A * 9/1959 Ferreira A47L 13/11
 15/245
 2,914,787 A * 12/1959 Hartkopf A21B 3/00
 15/236.01
 D222,703 S * 12/1971 Richardson D32/41
 3,787,921 A 1/1974 Feldmann
 D285,736 S * 9/1986 Seely D32/41
 4,697,296 A * 10/1987 Smahlik A47L 1/06
 15/145
 4,777,694 A * 10/1988 Young A47L 1/06
 15/145
 5,117,530 A 6/1992 Rank
 5,347,676 A 9/1994 Saitoh
 D355,075 S * 2/1995 Stone D30/162
 D367,344 S * 2/1996 Kruse D32/49
 D368,344 S * 3/1996 Hansen D32/41
 5,528,793 A 6/1996 Schbot
 D388,569 S * 12/1997 Israel D32/35
 6,092,255 A 7/2000 Kim
 6,243,911 B1 6/2001 Varner
 D447,301 S * 8/2001 Adair D32/41
 D464,182 S * 10/2002 Vosbikian D32/41

D473,028 S * 4/2003 Hay D32/41
 6,668,418 B2 12/2003 Bastien
 D515,262 S * 2/2006 Hay D32/41
 D539,496 S * 3/2007 Sickler D32/41
 7,185,388 B2 3/2007 Sander
 D585,616 S * 1/2009 Libman D32/51
 D603,116 S * 10/2009 Antonello D32/41
 7,654,591 B2 2/2010 Marble
 D685,547 S * 7/2013 Vasilakes D32/40
 D704,911 S * 5/2014 Albo D32/41
 2003/0044220 A1 * 3/2003 Vito A47L 1/08
 401/266
 2005/0193516 A1 * 9/2005 Hughes A47L 13/08
 15/236.01
 2007/0020039 A1 * 1/2007 Demuth A47L 13/11
 401/266
 2014/0123425 A1 5/2014 Harper
 2016/0095492 A1 * 4/2016 Smith A47L 13/11
 15/245

FOREIGN PATENT DOCUMENTS

FR 015212-001 * 2/2002
 GB 1058666 * 10/1989
 GB 3009481 * 3/2003

OTHER PUBLICATIONS

Amazon.com: Ettore 11112 Rust Proof Aluminum Squeegee, online, review date Jul. 10, 2013, http://www.amazon.com/Ettore-11112-Proof-Aluminum-Squeegee/dp/B000BQW5SS/ref=sr_1_103?ie=UTF8&qid=1461702142&sr=8-103&keywords=squeegee, [site visited Apr. 26, 2016 4:23:58 PM].*
 Amazon.com: Made in USA!!! Cleret iDO 2 Shower Squeegee, online, review date Jan. 24, 2014, http://www.amazon.com/Cleret-Shower-Squeegee-Replaceable-Cleaning/dp/B00015GDRI/ref=sr_1_22?ie=UTF8&qid=1461701027&sr=8-22 &keywords=squeegee, [site visited Apr. 26, 2016 4:05:27 PM].*

* cited by examiner

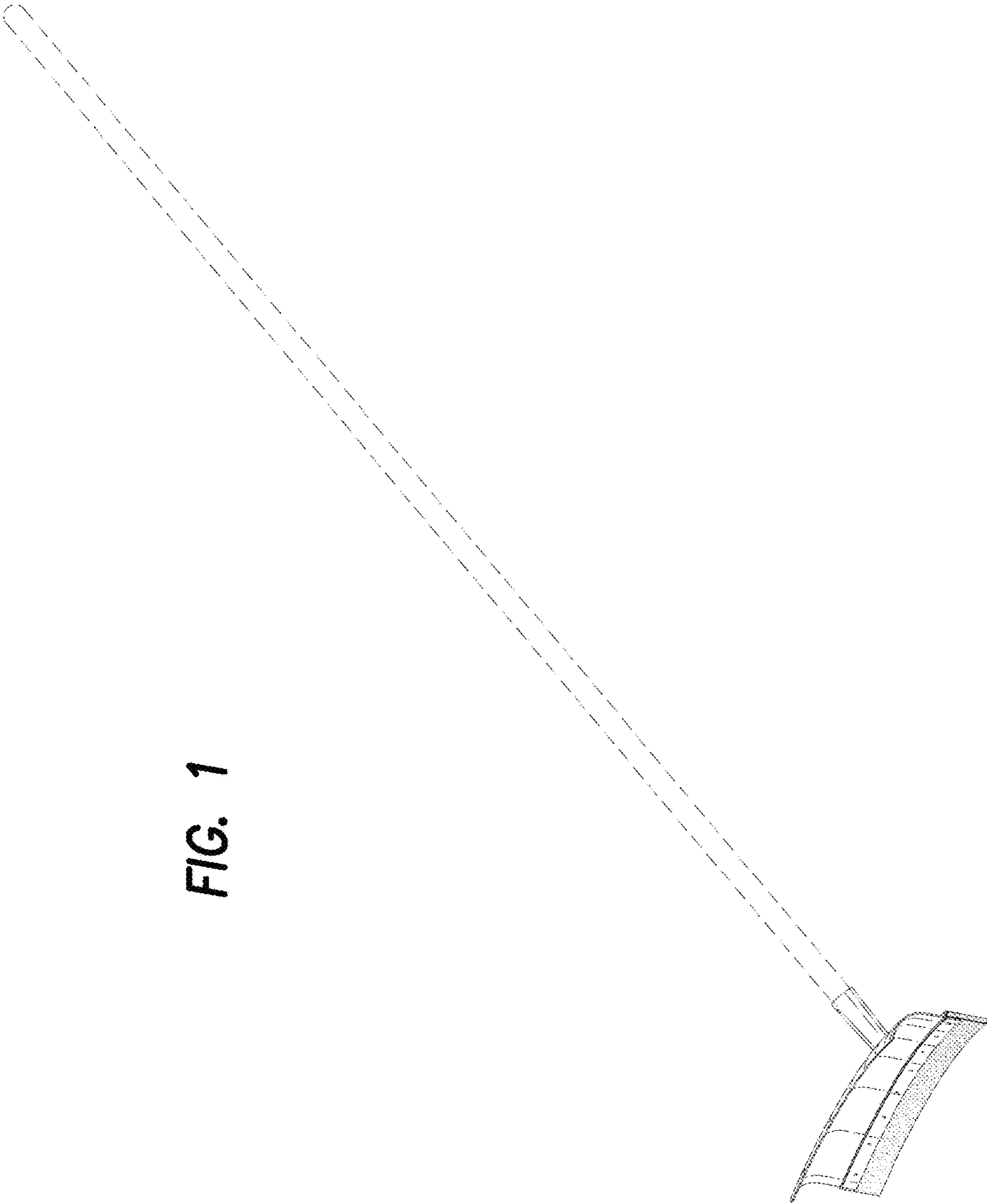


FIG. 1

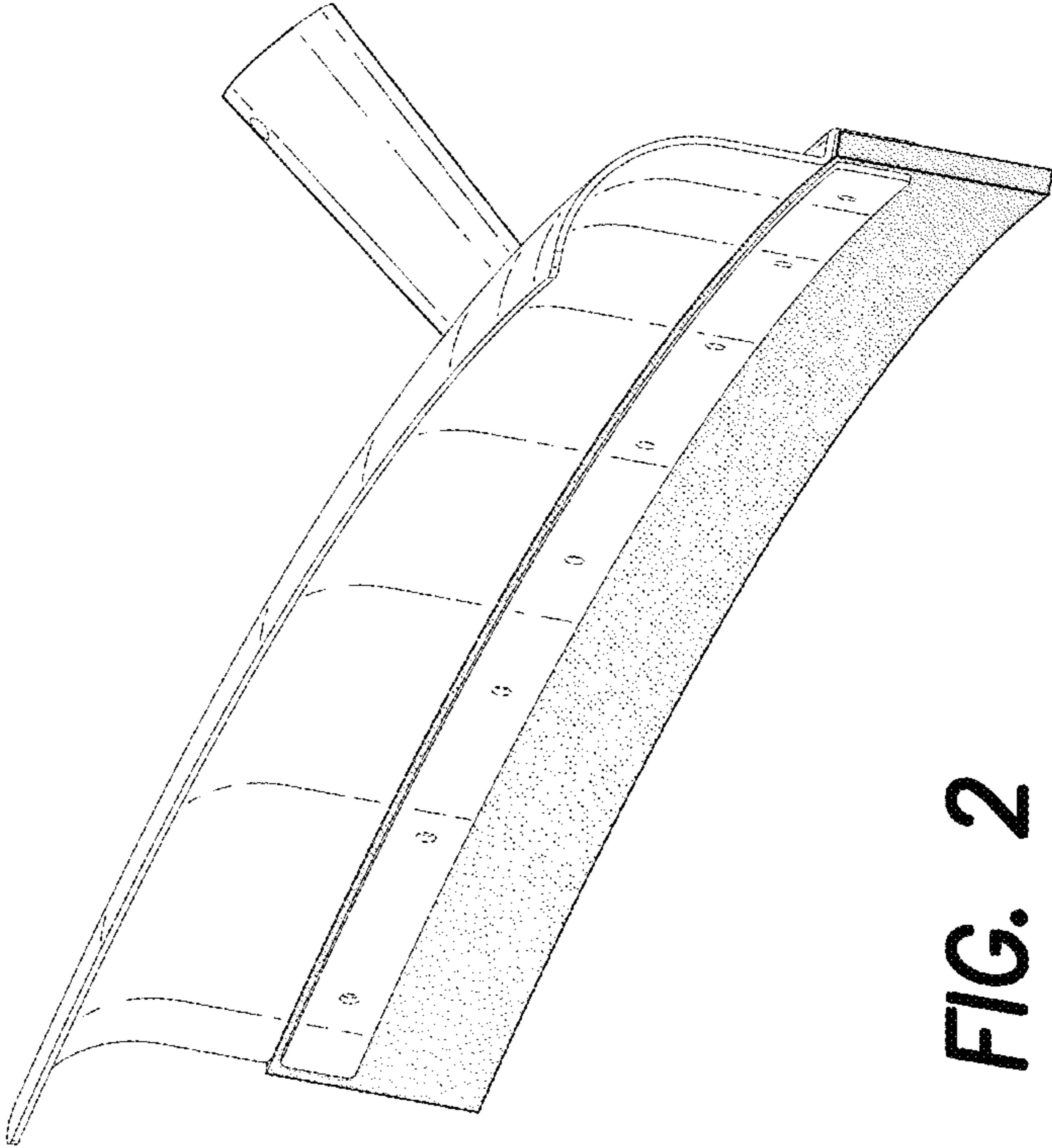


FIG. 2

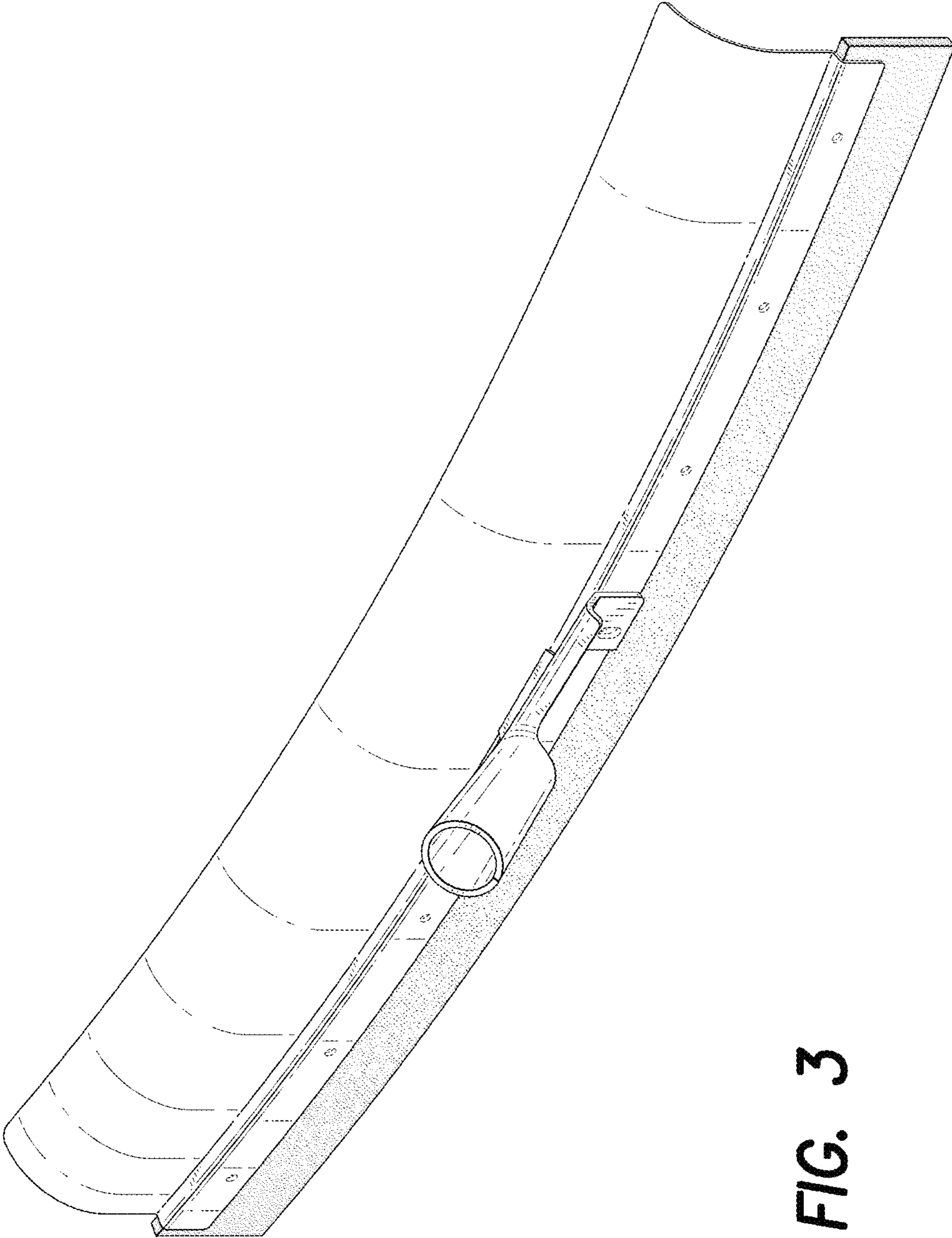


FIG. 3

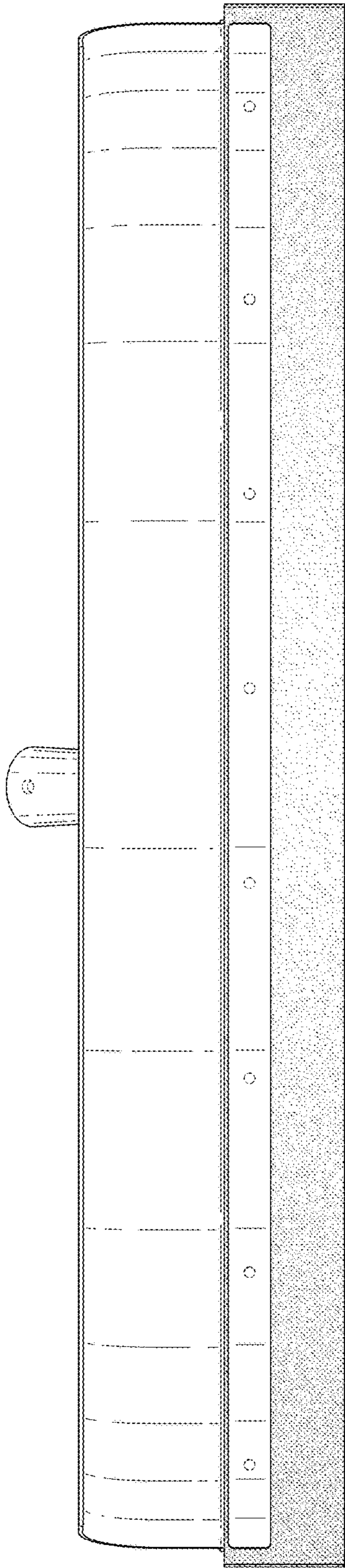


FIG. 4

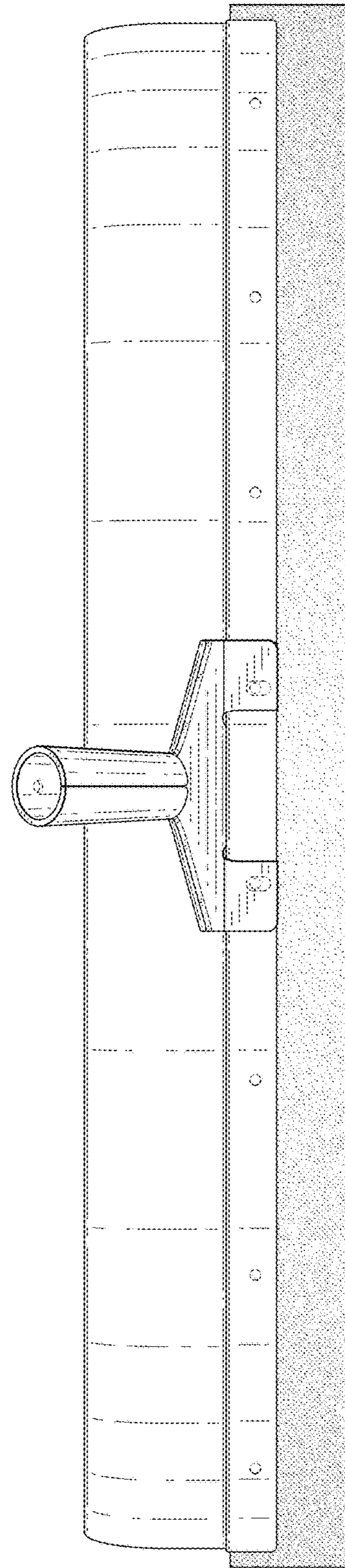


FIG. 5

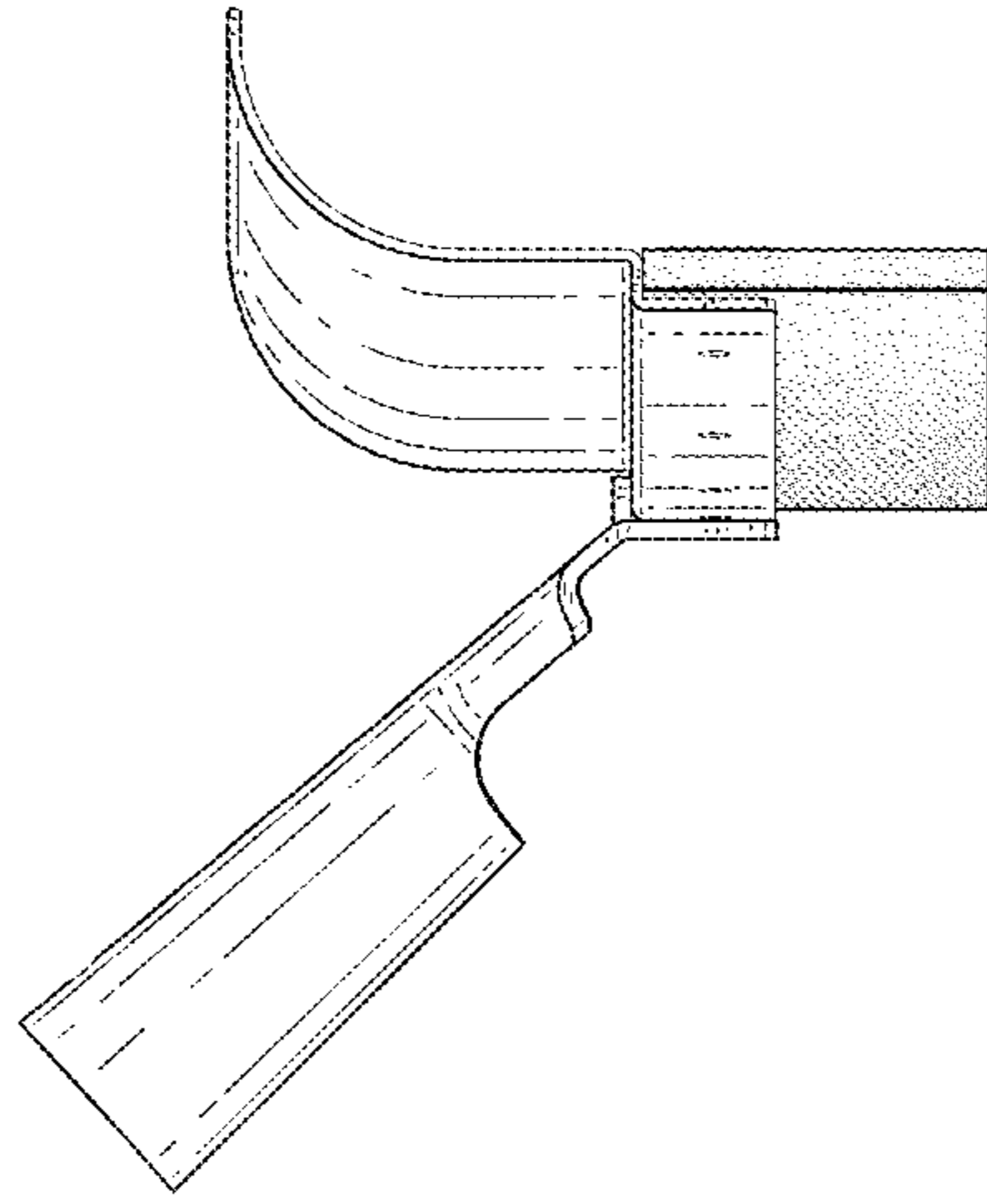


FIG. 7

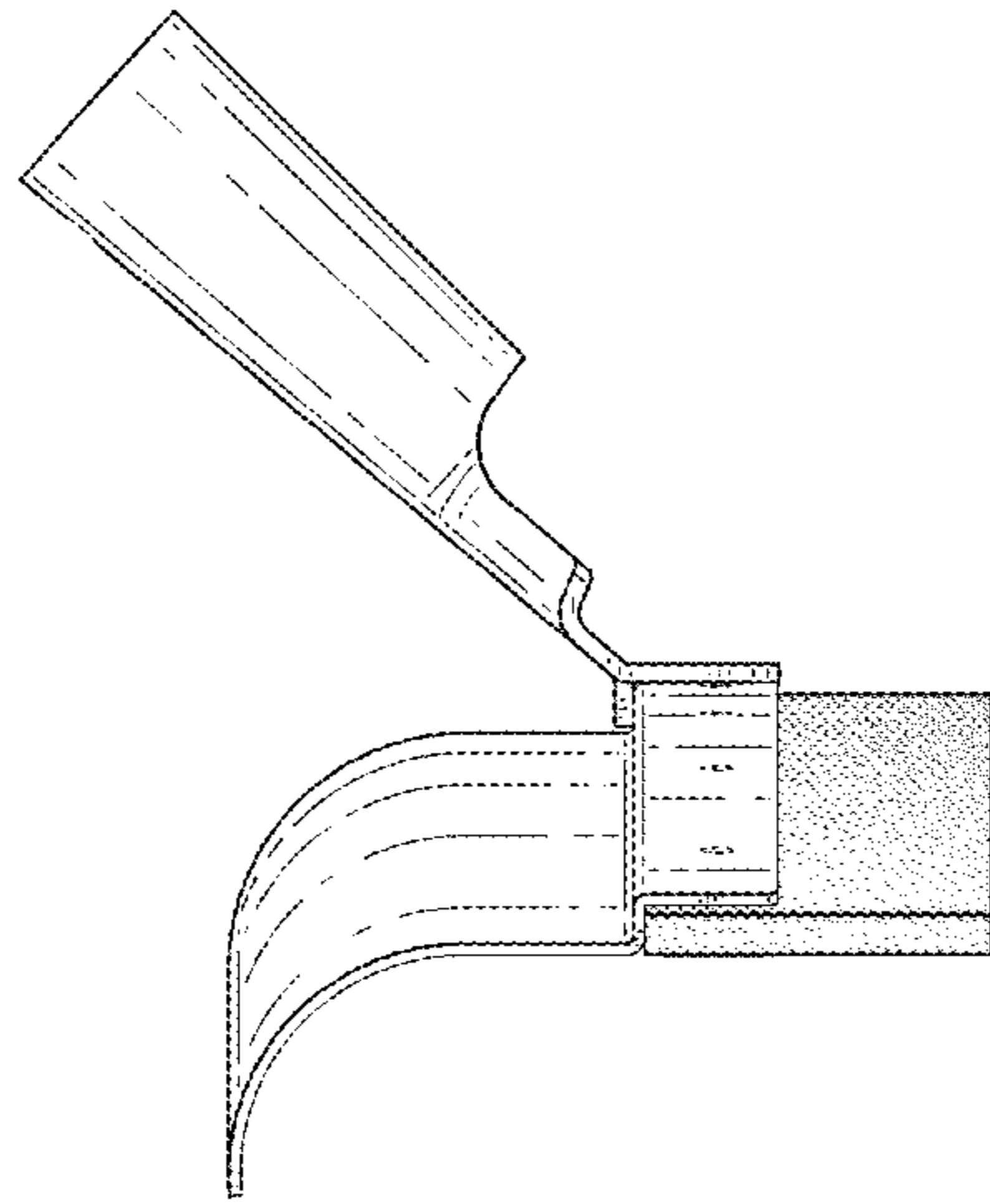


FIG. 6

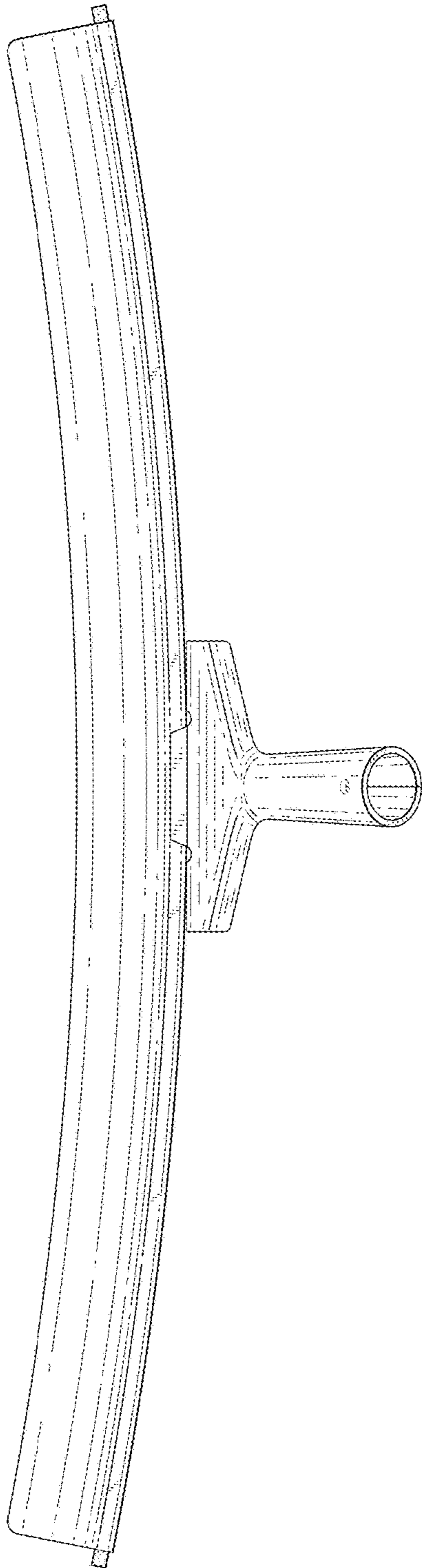


FIG. 8

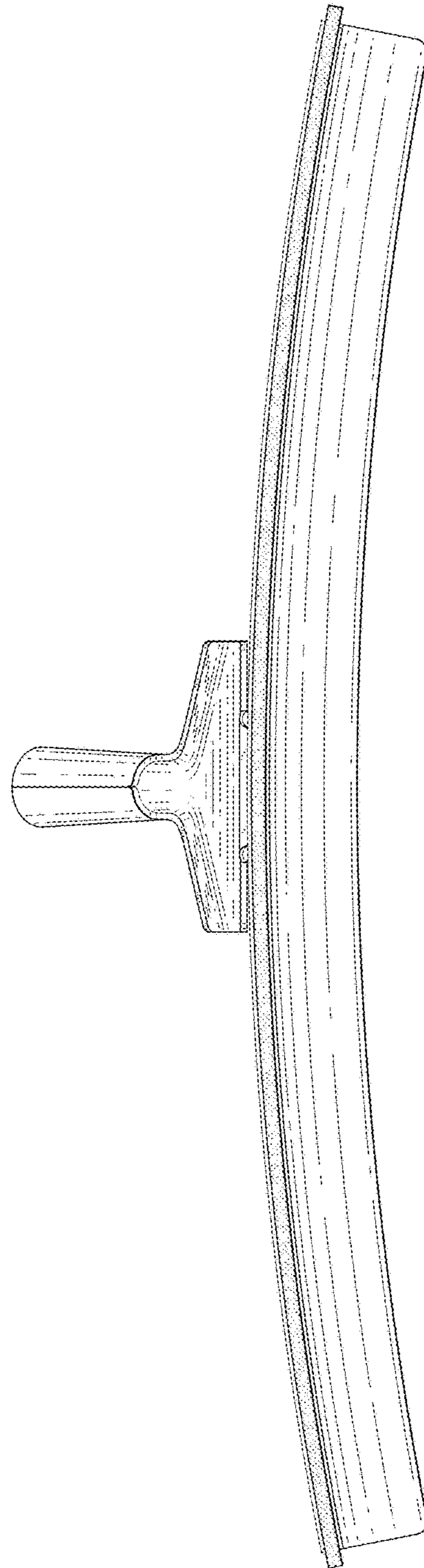


FIG. 9