



US00D773764S

(12) **United States Design Patent** (10) **Patent No.:** **US D773,764 S**  
**Niedzwecki et al.** (45) **Date of Patent:** **\*\* Dec. 6, 2016**

(54) **HAND TOOL**

FOREIGN PATENT DOCUMENTS

(71) Applicant: **SharkNinja Operating LLC**, Newton, MA (US)

JP 1356019 S 4/2009

(72) Inventors: **Scott Niedzwecki**, Walpole, MA (US);  
**Owen Johnson**, Needham, MA (US)

OTHER PUBLICATIONS

Examiner Notice from Japanese Design No. 2014-027037 dated Jun. 30, 2015.

(73) Assignee: **SharkNinja Operating LLC**, Newton, MA (US)

\* cited by examiner

(\*\*) Term: **14 Years**

*Primary Examiner* — Ruth McInroy

(21) Appl. No.: **29/492,842**

(74) *Attorney, Agent, or Firm* — Grossman Tucker Perreault & Pflieger, PLLC

(22) Filed: **Jun. 3, 2014**

(57) **CLAIM**

(51) **LOC (10) Cl.** ..... **15-05**

The ornamental design for a hand tool, as shown and described.

(52) **U.S. Cl.**

USPC ..... **D32/32**

**DESCRIPTION**

(58) **Field of Classification Search**

USPC ..... D32/31–33, 40, 50, 25

CPC ..... A47L 11/4044; A47L 9/02; A47L 13/12;

A47L 13/20; A47L 7/02; A47L 1/08

See application file for complete search history.

FIG. 1 is a perspective view of a hand tool showing our new design;

FIG. 2 is a top view thereof;

FIG. 3 is a bottom view thereof;

FIG. 4 is a right side view thereof;

FIG. 5 is a left side view thereof;

FIG. 6 is a rear view thereof;

FIG. 7 is a front view thereof;

FIG. 8 is a perspective view thereof in an alternate position;

FIG. 9 is a top view of FIG. 8;

FIG. 10 is a bottom view of FIG. 8;

FIG. 11 is a right side view of FIG. 8;

FIG. 12 is a left side view of FIG. 8;

FIG. 13 is a rear view of FIG. 8; and,

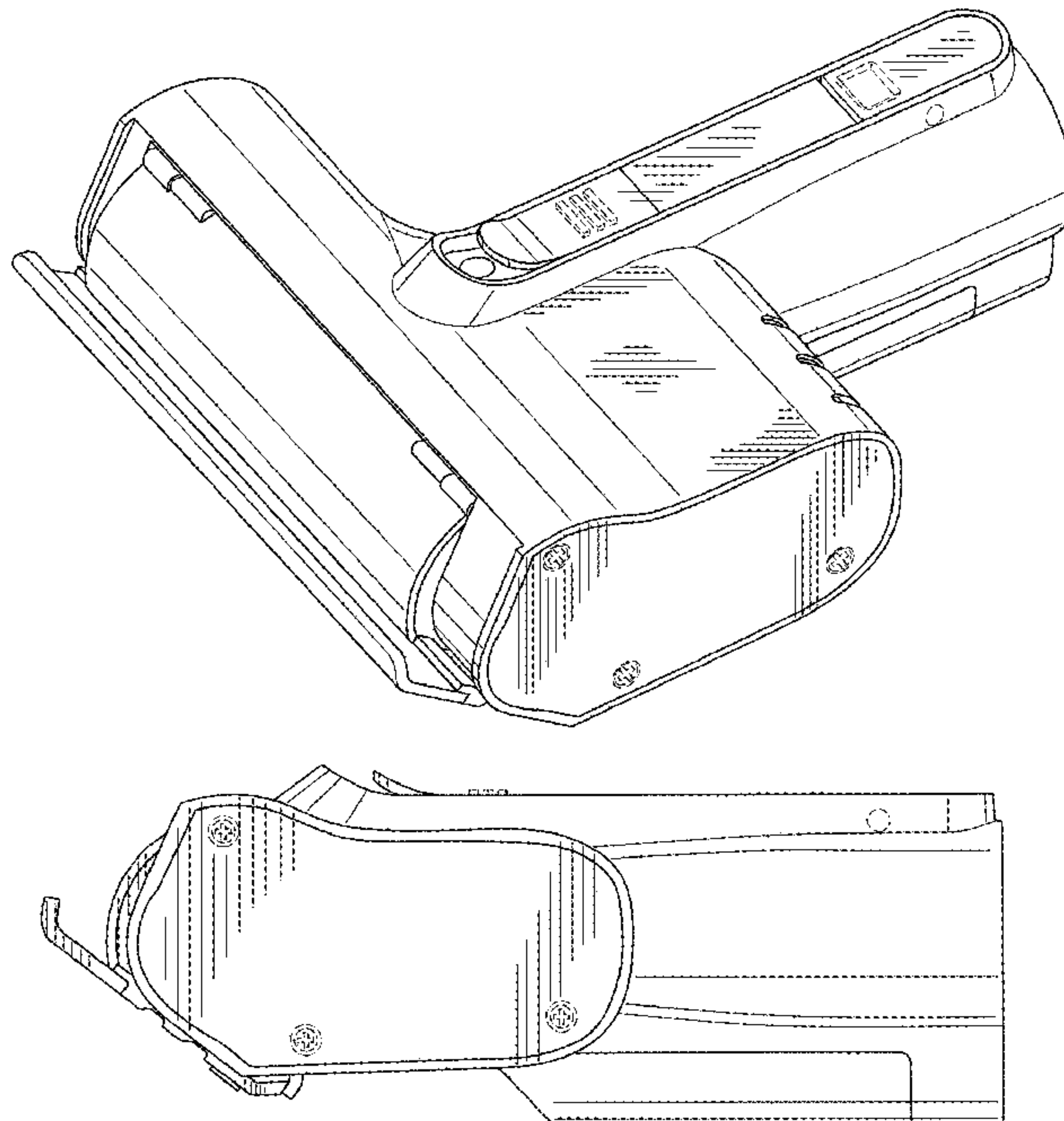
FIG. 14 is a front view of FIG. 8.

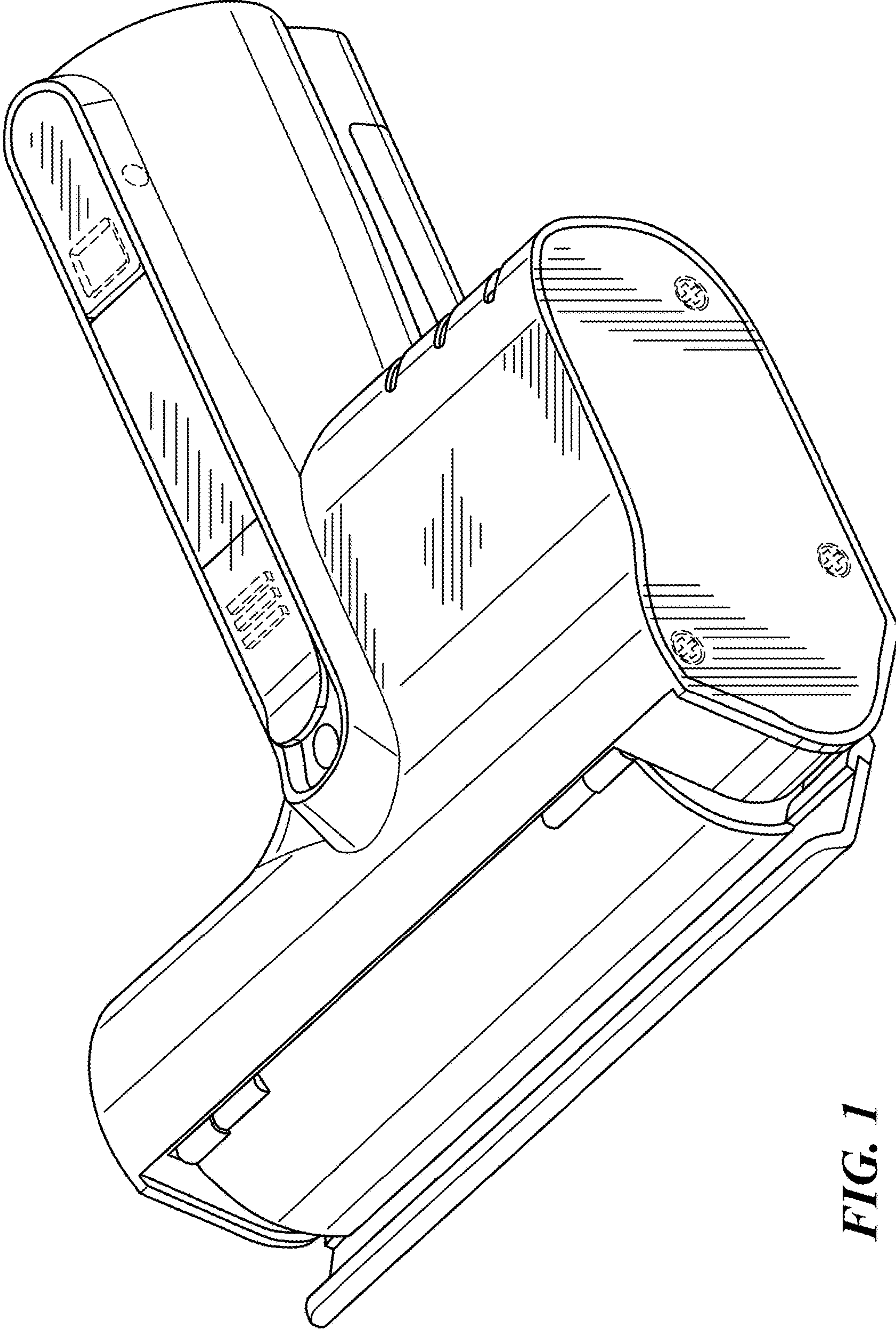
(56) **References Cited**

U.S. PATENT DOCUMENTS

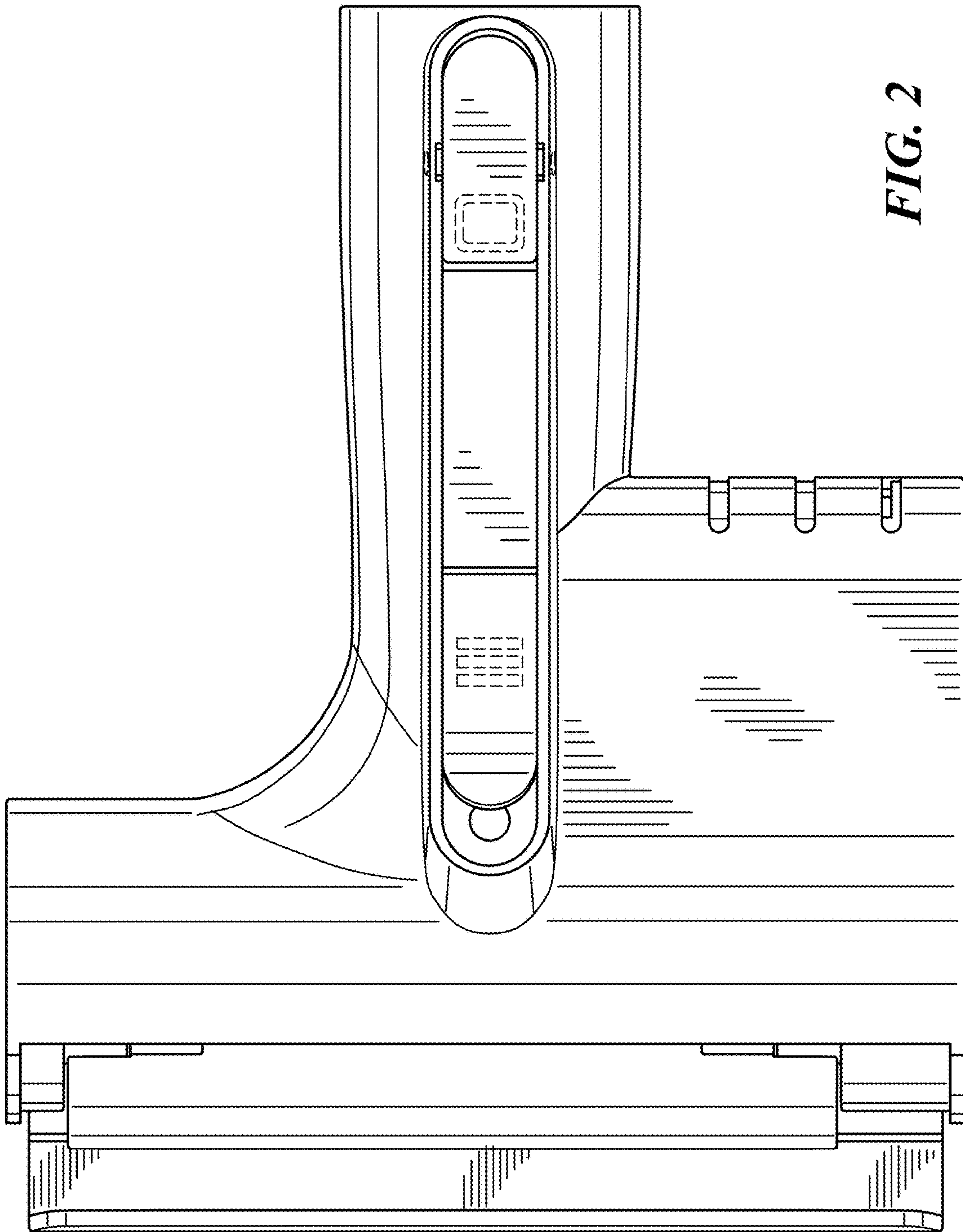
D419,733 S *	1/2000	Medema	.....	D32/32
D515,756 S *	2/2006	Allard	.....	D32/32
D520,695 S *	5/2006	Dyson	.....	D32/33
D537,219 S *	2/2007	Adams	.....	D32/32
D590,112 S *	4/2009	Sun	.....	D32/32
D590,113 S *	4/2009	Benacquisto	.....	D32/32
D602,217 S *	10/2009	Osborn	.....	D32/32
D679,878 S *	4/2013	Chudleigh	.....	D32/33
2010/0223753 A1 *	9/2010	Knox	.....	A47L 9/0477
				15/363

**1 Claim, 12 Drawing Sheets**



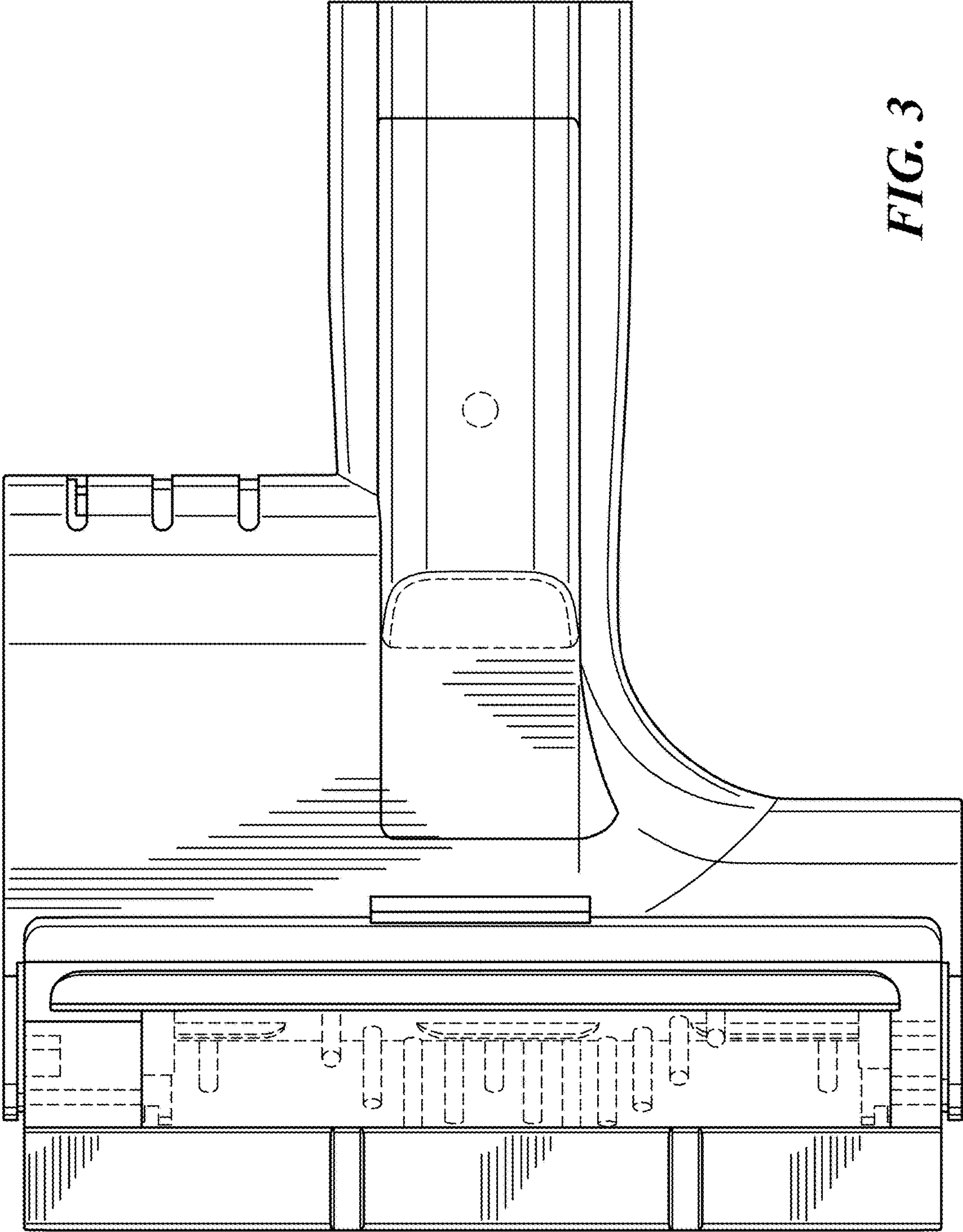


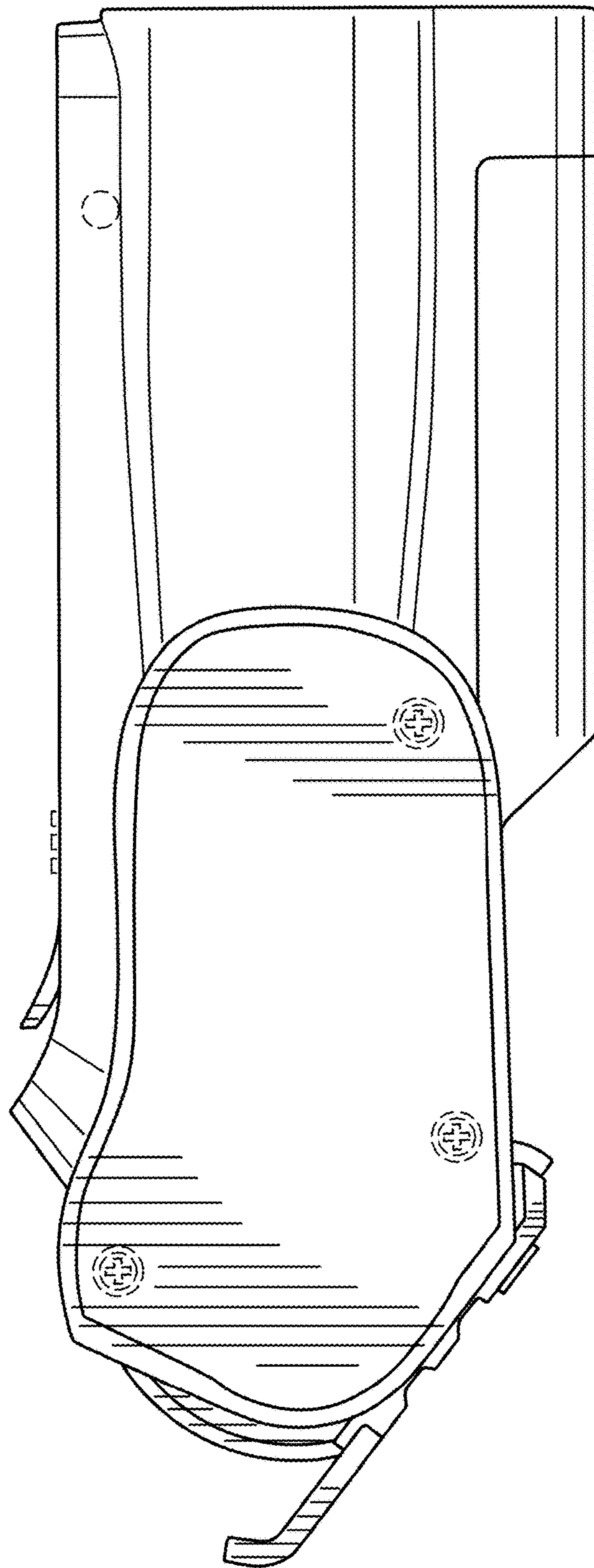
**FIG. 1**



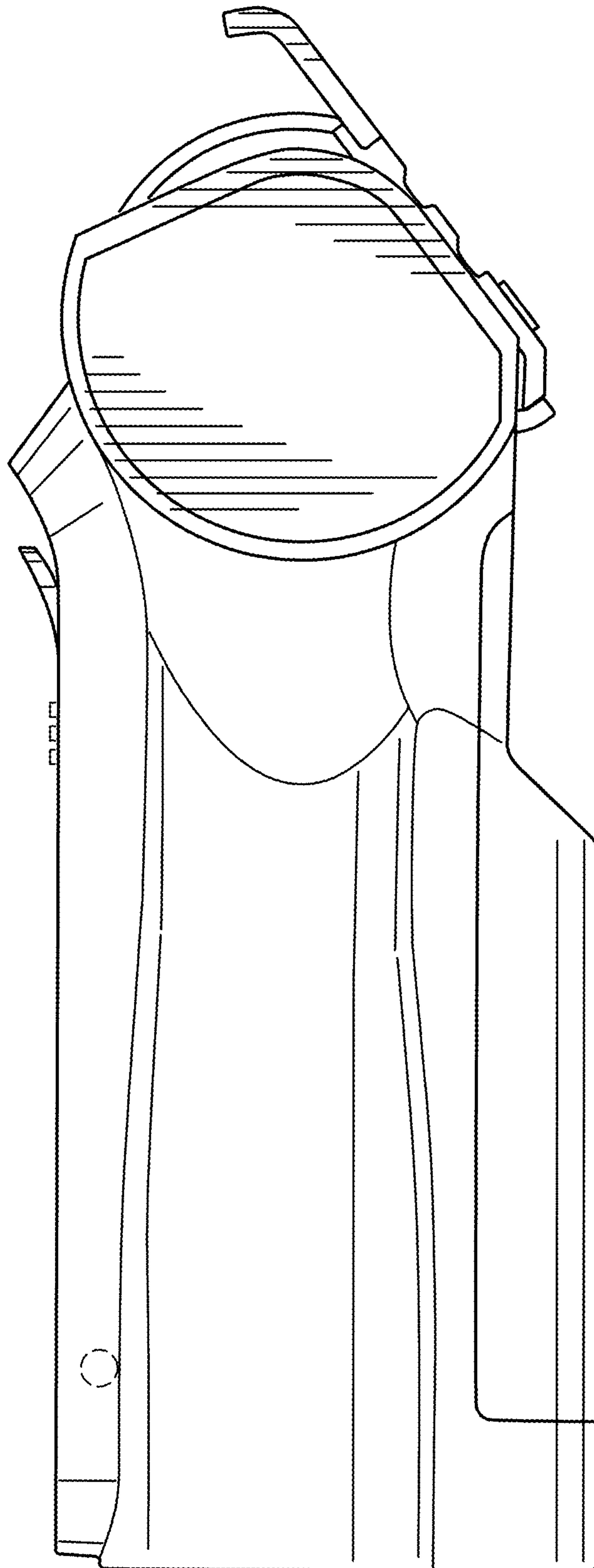
**FIG. 2**



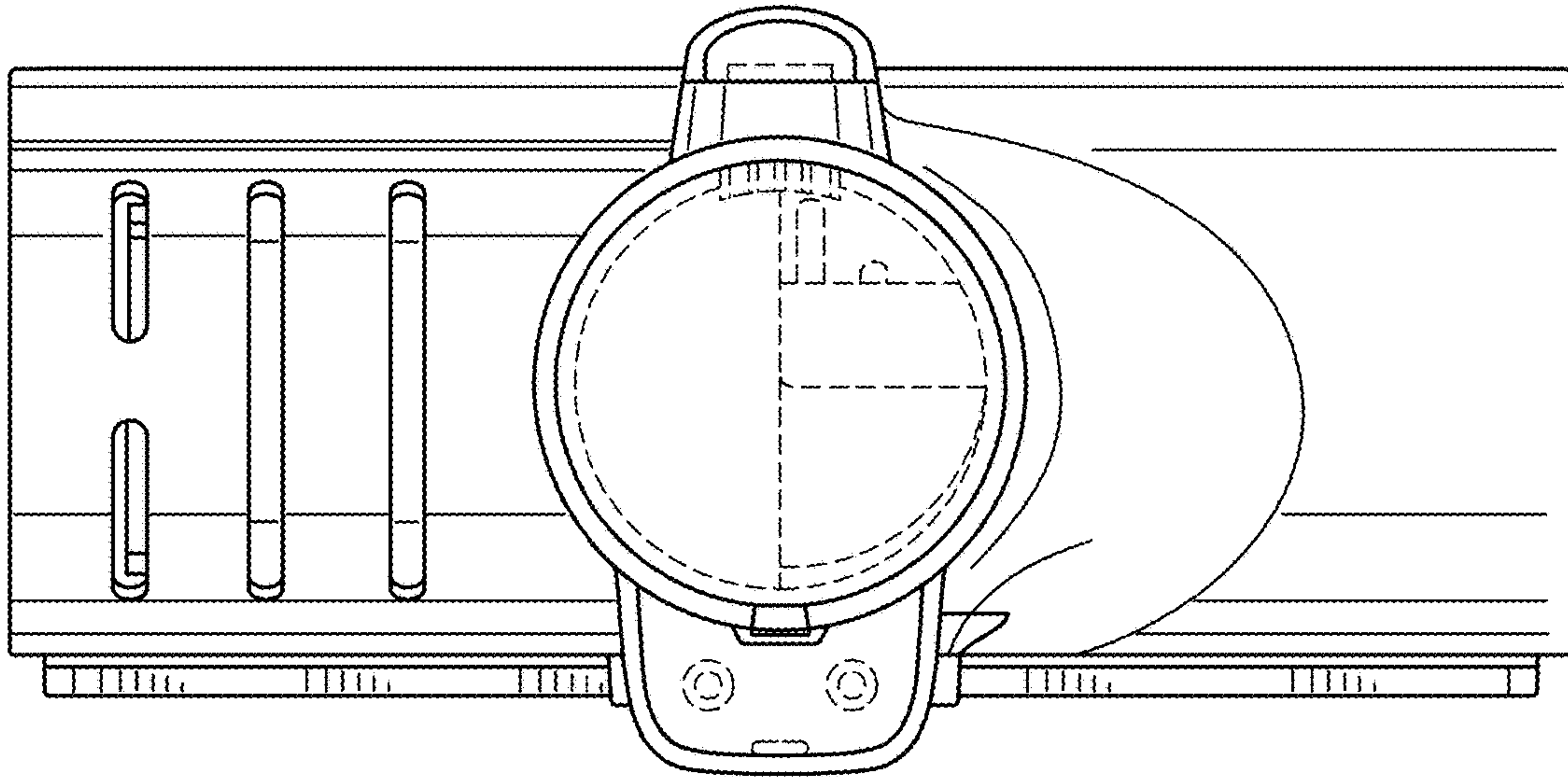




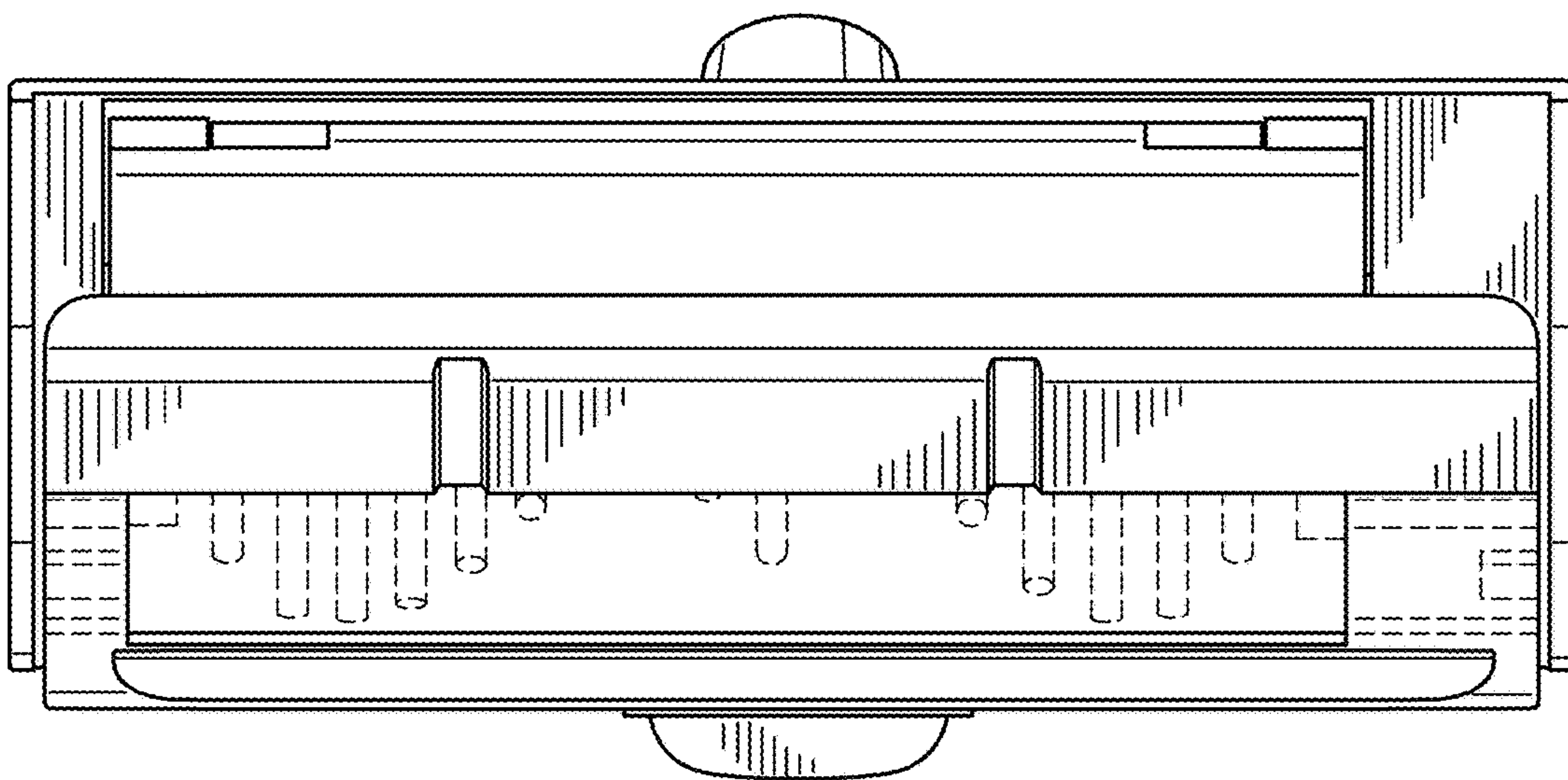
**FIG. 4**



**FIG. 5**

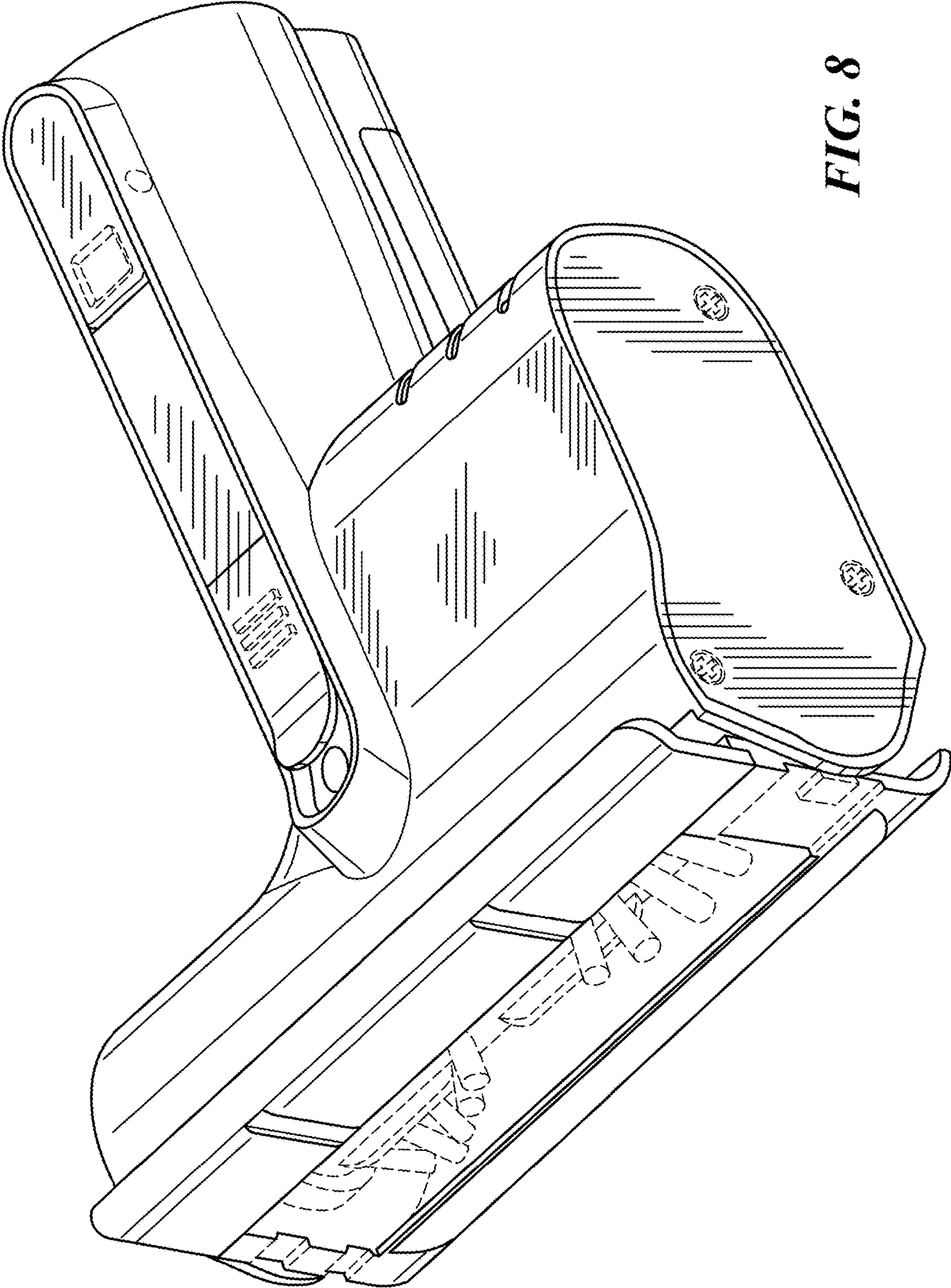


**FIG. 6**



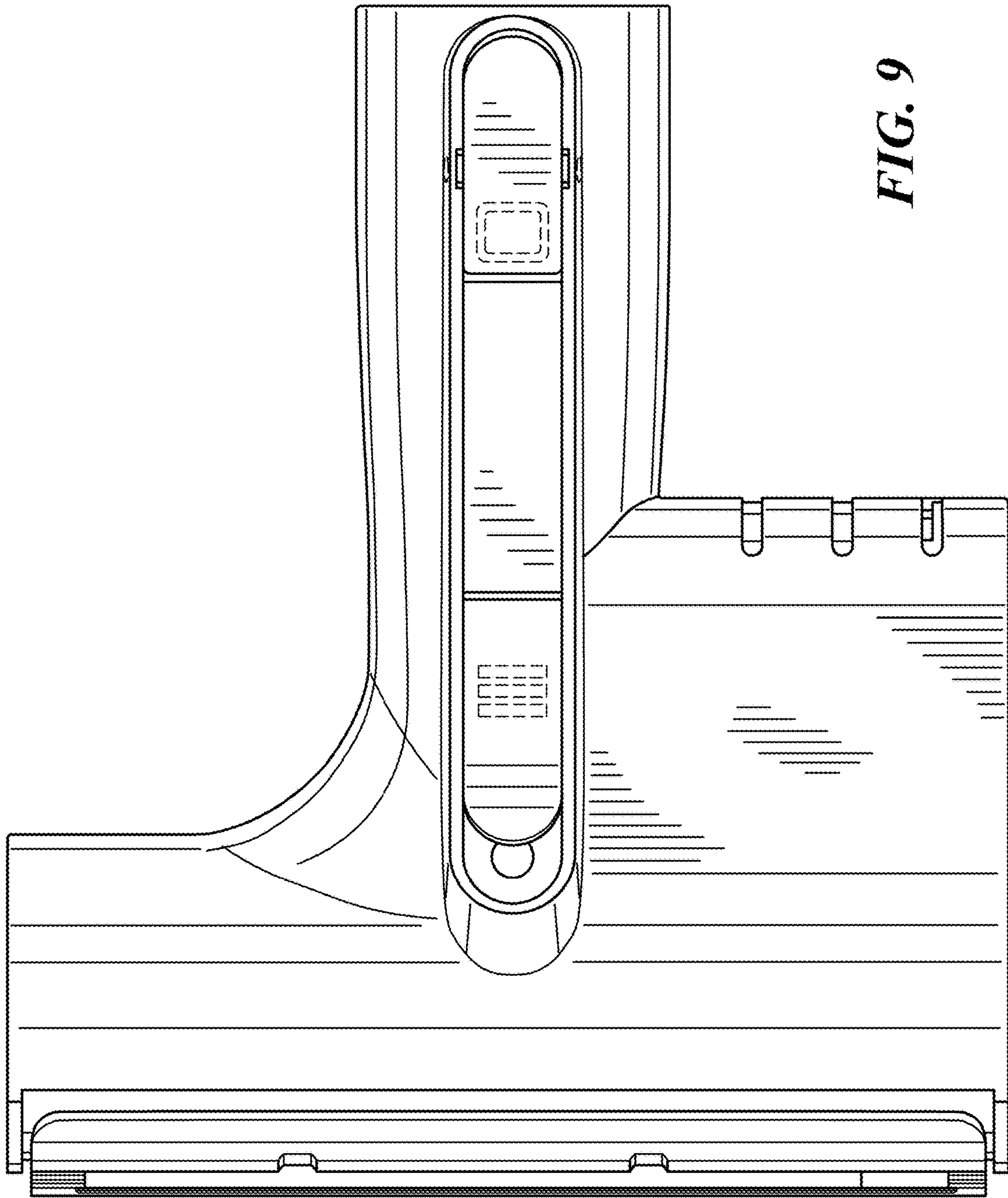
**FIG. 7**

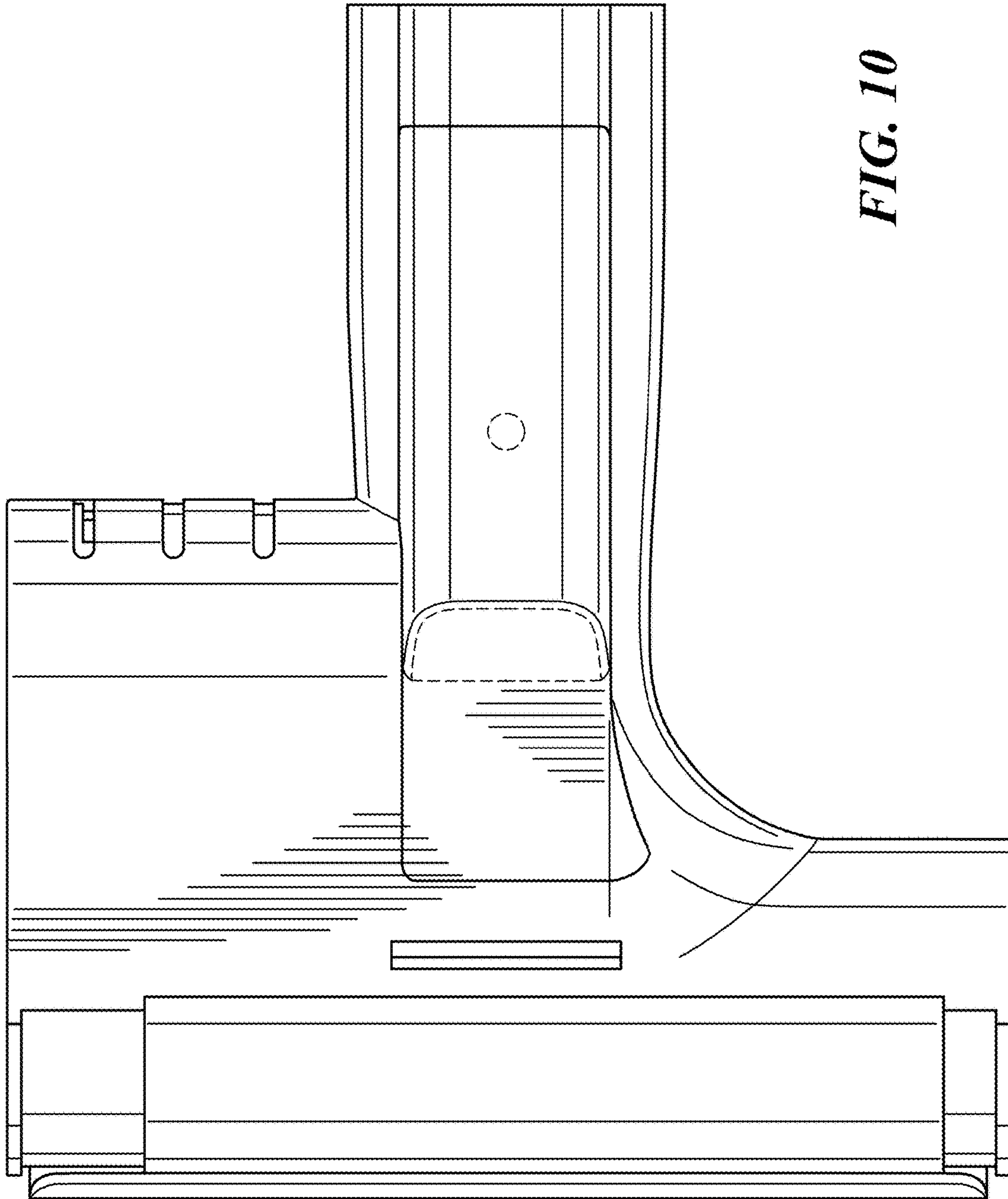




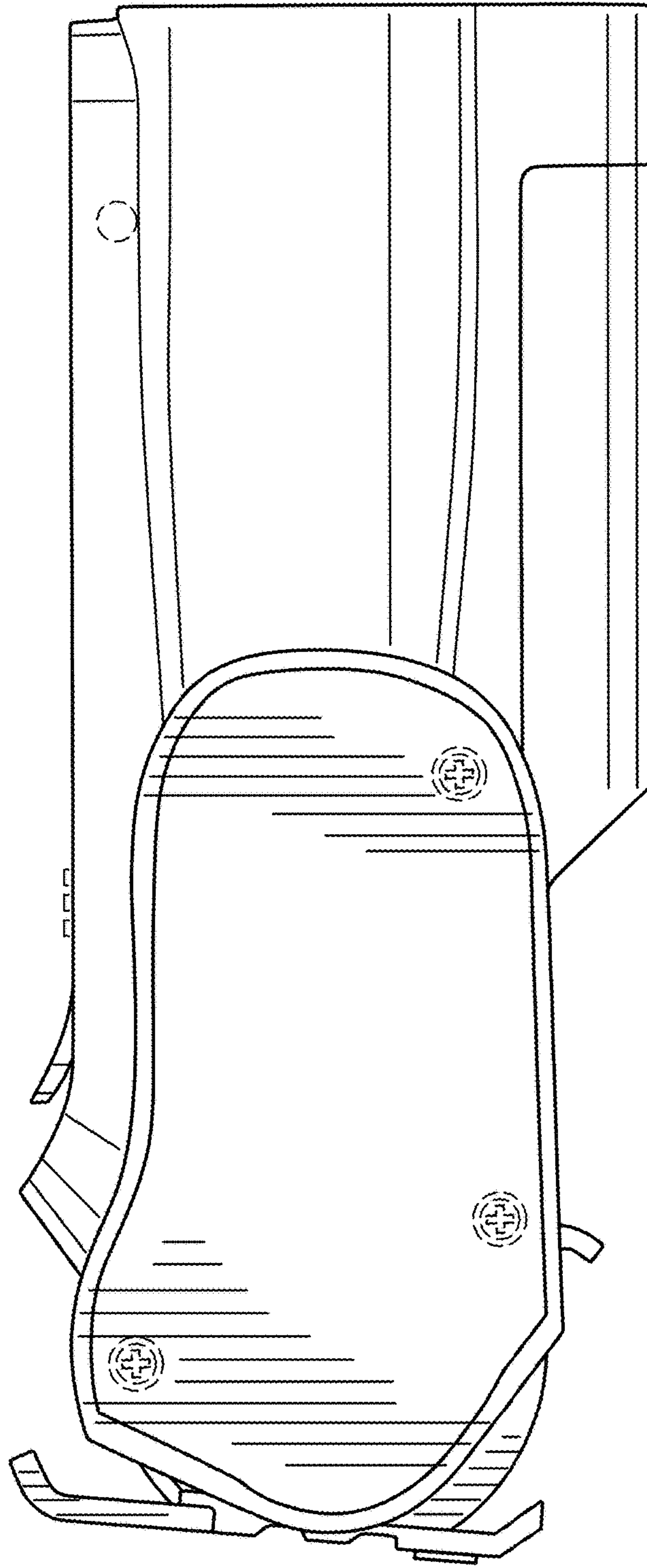
**FIG. 8**



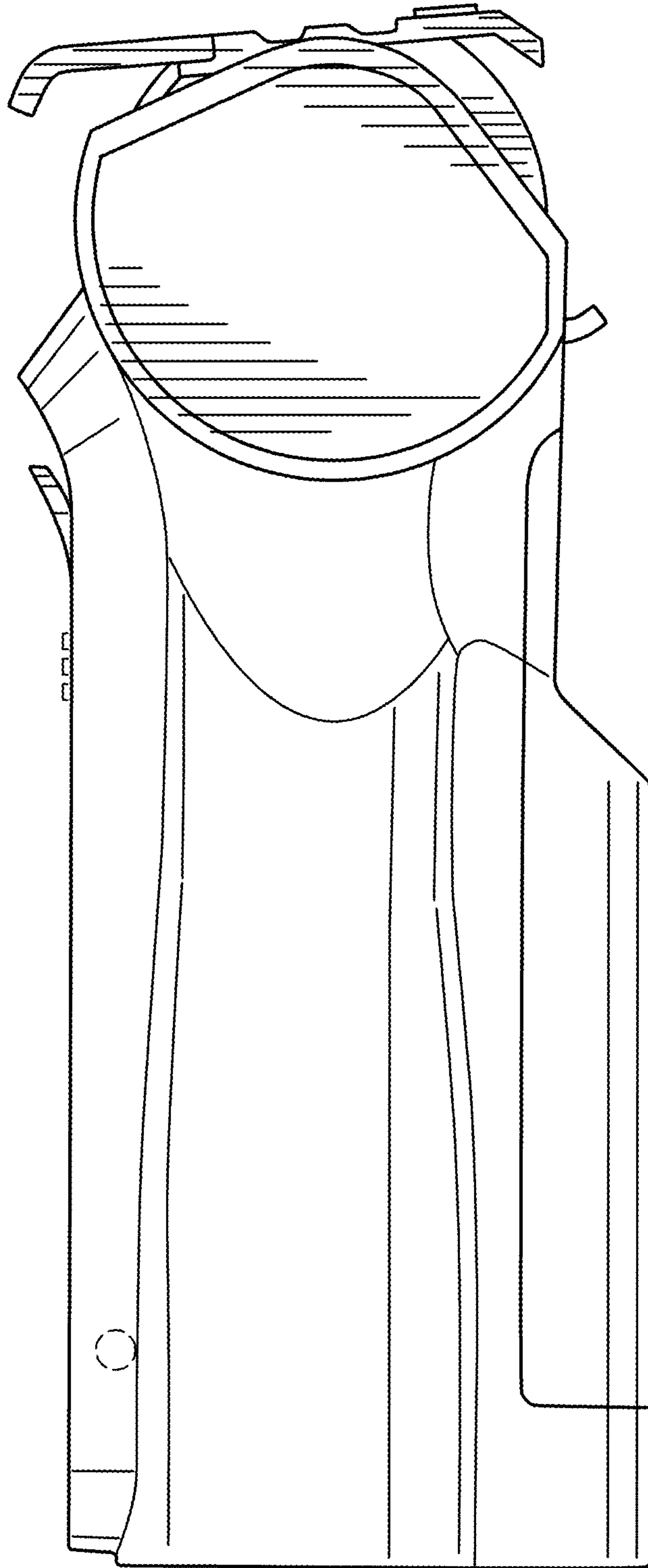




**FIG. 10**

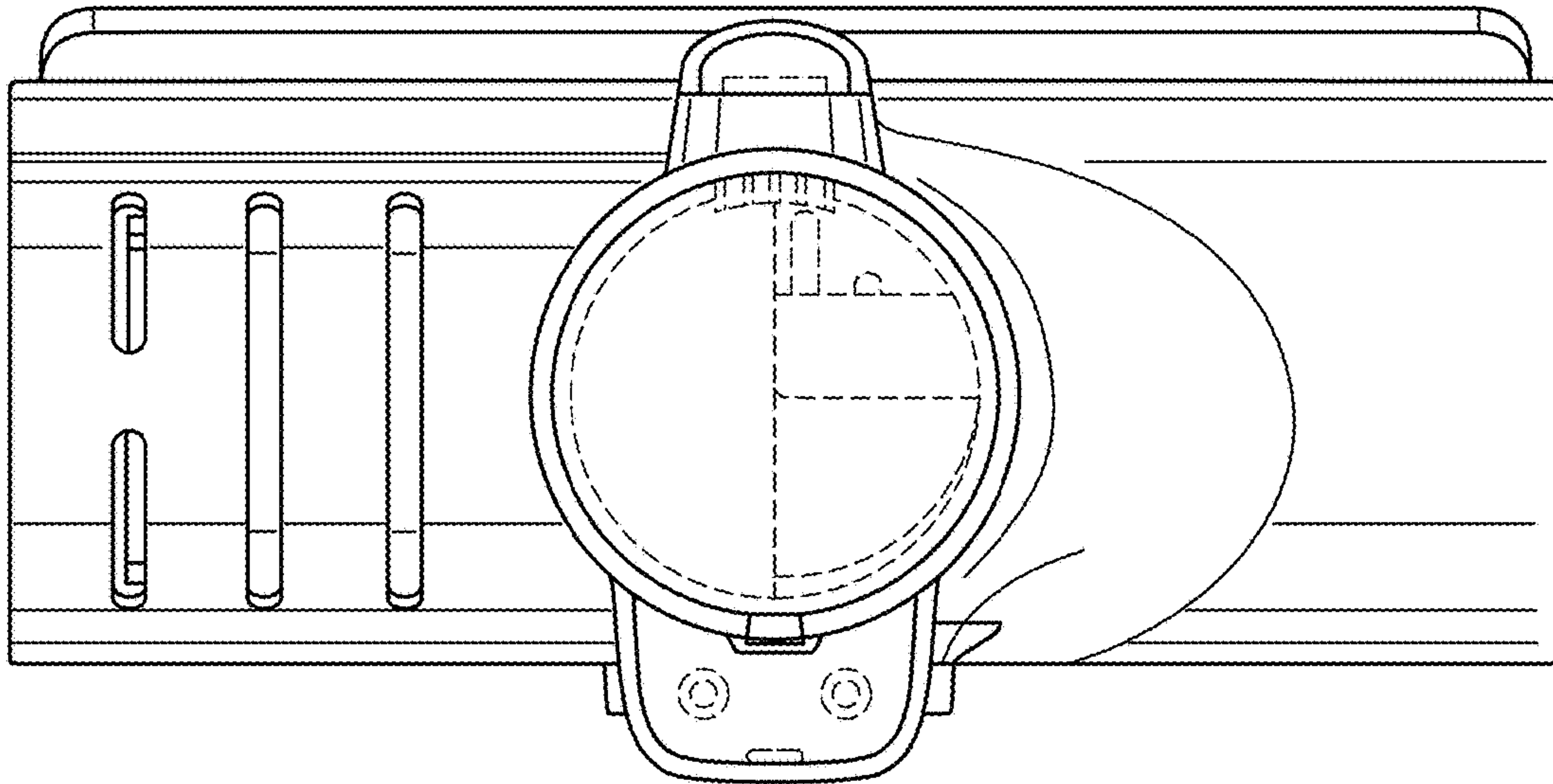


**FIG. 11**

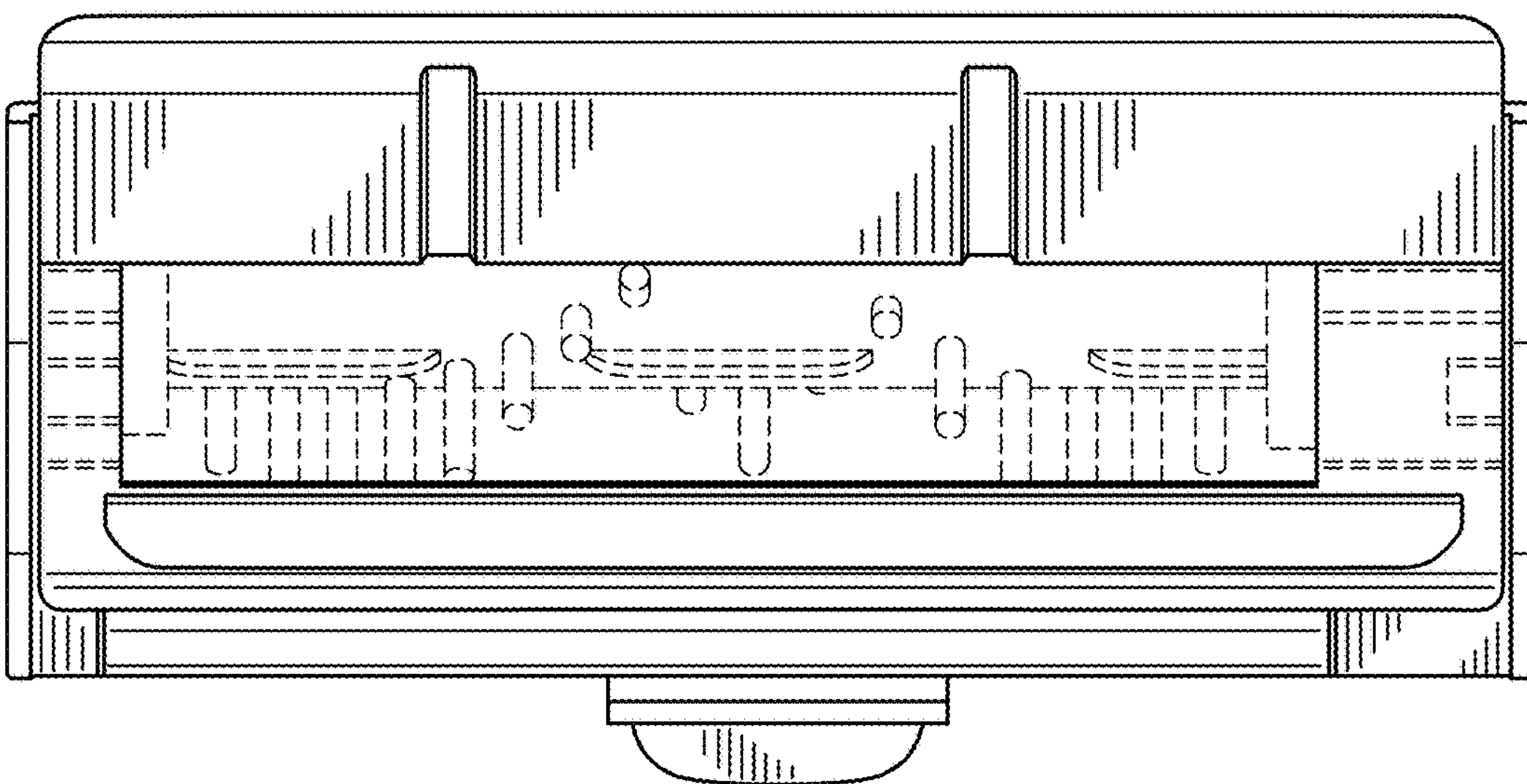


**FIG. 12**





**FIG. 13**



**FIG. 14**