



US00D773762S

(12) **United States Design Patent** (10) **Patent No.:** **US D773,762 S**  
**Kim** (45) **Date of Patent:** **\*\* Dec. 6, 2016**

(54) **WASHING MACHINE**

D732,250 S \* 6/2015 Borjesson ..... D32/6  
D732,763 S \* 6/2015 Hwang ..... D32/6  
D734,572 S \* 7/2015 Choi ..... D32/6

(71) Applicant: **Samsung Electronics Co., Ltd.,**  
Suwon-si (KR)

(Continued)

(72) Inventor: **Kangdo Kim,** Seoul (KR)

**FOREIGN PATENT DOCUMENTS**

(73) Assignee: **SAMSUNG ELECTRONICS CO.,**  
**LTD.** (KR)

CN 301291064 7/2010

**OTHER PUBLICATIONS**

(\*\*) Term: **15 Years**

TCL, Copyright 2009, pp. 1-3, Retrieved from the Internet Sep. 18,  
2015<URL:http://www.missyuan.net/article/20070707/tw\_  
15384\_2.html>.

(21) Appl. No.: **29/539,962**

(22) Filed: **Sep. 18, 2015**

(Continued)

(30) **Foreign Application Priority Data**

Mar. 18, 2015 (KR) ..... 30-2015-0013695

*Primary Examiner* — Rosemary K Tarcza  
*Assistant Examiner* — Yolanda Robinson  
(74) *Attorney, Agent, or Firm* — Cantor Colburn LLP

(51) **LOC (10) Cl.** ..... **15-05**

(52) **U.S. Cl.**  
USPC ..... **D32/28**

(58) **Field of Classification Search**  
USPC ..... D32/1-6, 8, 10, 25, 28; 312/228, 228.1,  
312/236, 294, 326; 68/3 R, 5 R, 235 R, 196,  
68/212; 34/108, 130-132, 595-597; 8/137  
CPC .... D06F 39/022; D06F 39/14; D06F 39/028;  
D06F 33/02; D06F 37/28; D06F 58/00;  
D06F 58/02  
See application file for complete search history.

(57) **CLAIM**  
The ornamental design for a washing machine, as shown and  
described.

**DESCRIPTION**

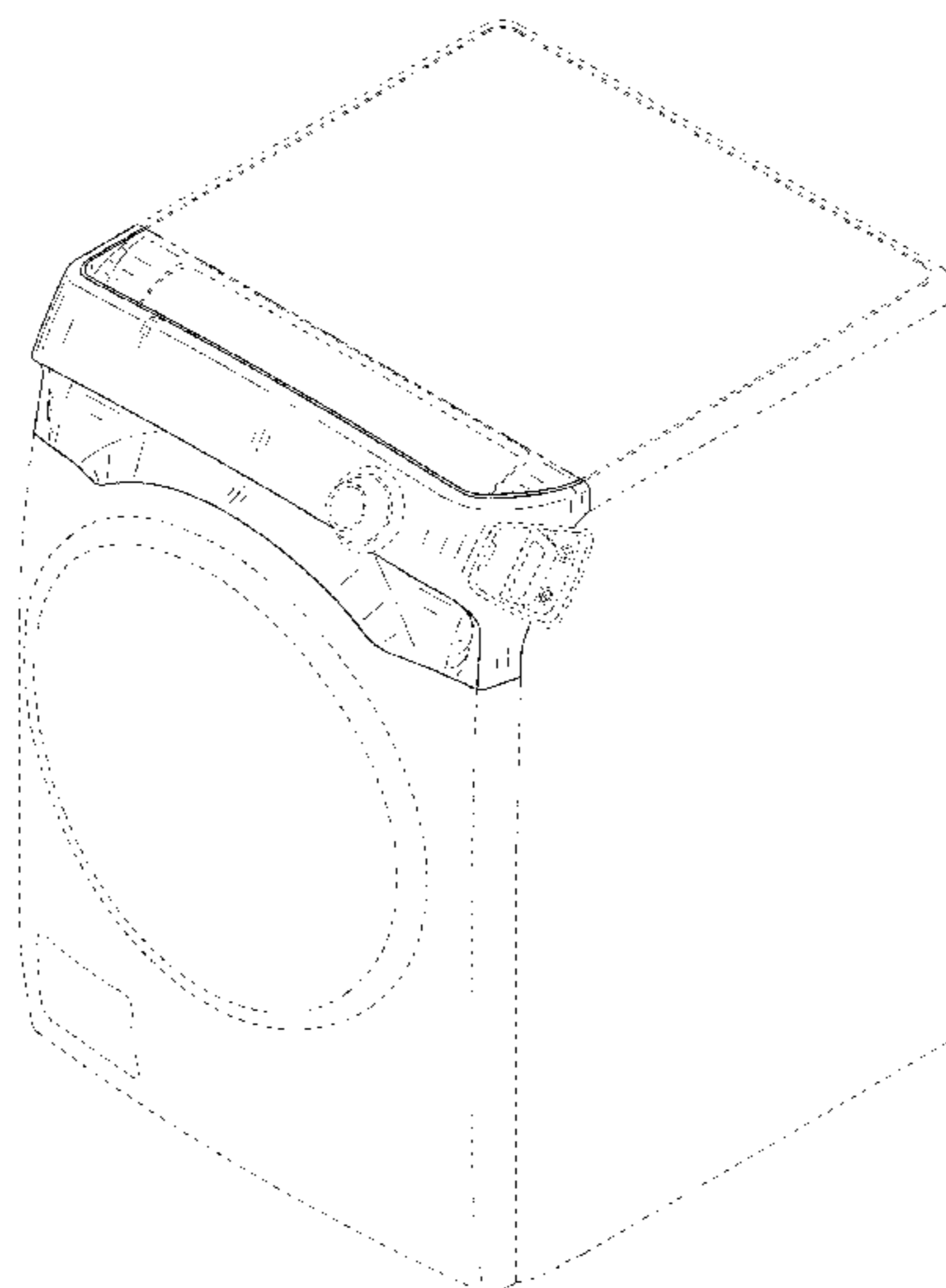
(56) **References Cited**

**U.S. PATENT DOCUMENTS**

D519,248 S \* 4/2006 Kim ..... D32/6  
D519,691 S \* 4/2006 Kim ..... D32/6  
D520,194 S \* 5/2006 Kwon ..... D32/6  
D520,691 S \* 5/2006 Schober ..... D32/28  
D580,113 S 11/2008 Griitzke et al.  
D718,505 S \* 11/2014 Hyounsub ..... D32/28  
D729,996 S \* 5/2015 Hwang ..... D32/6  
D729,997 S \* 5/2015 Hwang ..... D32/6  
D731,719 S \* 6/2015 Borjesson ..... D32/6

FIG. 1 is a perspective view of a washing machine, showing  
my new design;  
FIG. 2 is a front view thereof;  
FIG. 3 is a rear view thereof;  
FIG. 4 is a side view thereof;  
FIG. 5 is another side view thereof;  
FIG. 6 is a top view thereof;  
FIG. 7 is a bottom view thereof; and,  
FIG. 8 is another perspective view thereof.  
The broken lines illustrating portions of the washing  
machine form no part of the claimed design.  
The dash-dot-dot broken lines in the figures represent an  
unclaimed boundary line and form no part of the claimed  
design.

**1 Claim, 8 Drawing Sheets**



(56)

References Cited

OTHER PUBLICATIONS

U.S. PATENT DOCUMENTS

D735,424 S \* 7/2015 Ha ..... D32/6  
D739,097 S \* 9/2015 Qin ..... D32/6  
D739,098 S \* 9/2015 Qin ..... D32/6  
D744,179 S \* 11/2015 Lee ..... D32/28  
D744,704 S \* 12/2015 Ha ..... D32/6  
D746,521 S \* 12/2015 Ha ..... D32/6  
D749,804 S \* 2/2016 Ha ..... D32/6  
D749,807 S \* 2/2016 Ha ..... D32/28  
D759,916 S \* 6/2016 Choi ..... D32/28  
D759,917 S \* 6/2016 Choi ..... D32/28  
D759,918 S \* 6/2016 Choi ..... D32/28  
D760,458 S \* 6/2016 Choi ..... D32/28  
2015/0003027 A1 \* 1/2015 Han ..... D06F 39/02  
361/752

Tumbl360, Copyright 2014, pp. 1-6, Retrieved from the Internet  
Sep. 18, 2015<URL:<http://ajinkyabarve.com/tumbl-360--washing-machine.html>>.  
Whirlpool eye in the bathroom, Date Posted Sep. 15, 2011, pp. 1-3,  
Retrieved from the Internet Sep. 18, 2015<URL: <http://peterpalsimon.blogspot.kr/2011/09/whirlpool-eye-in-bathroom.html>>.

\* cited by examiner

FIG. 1

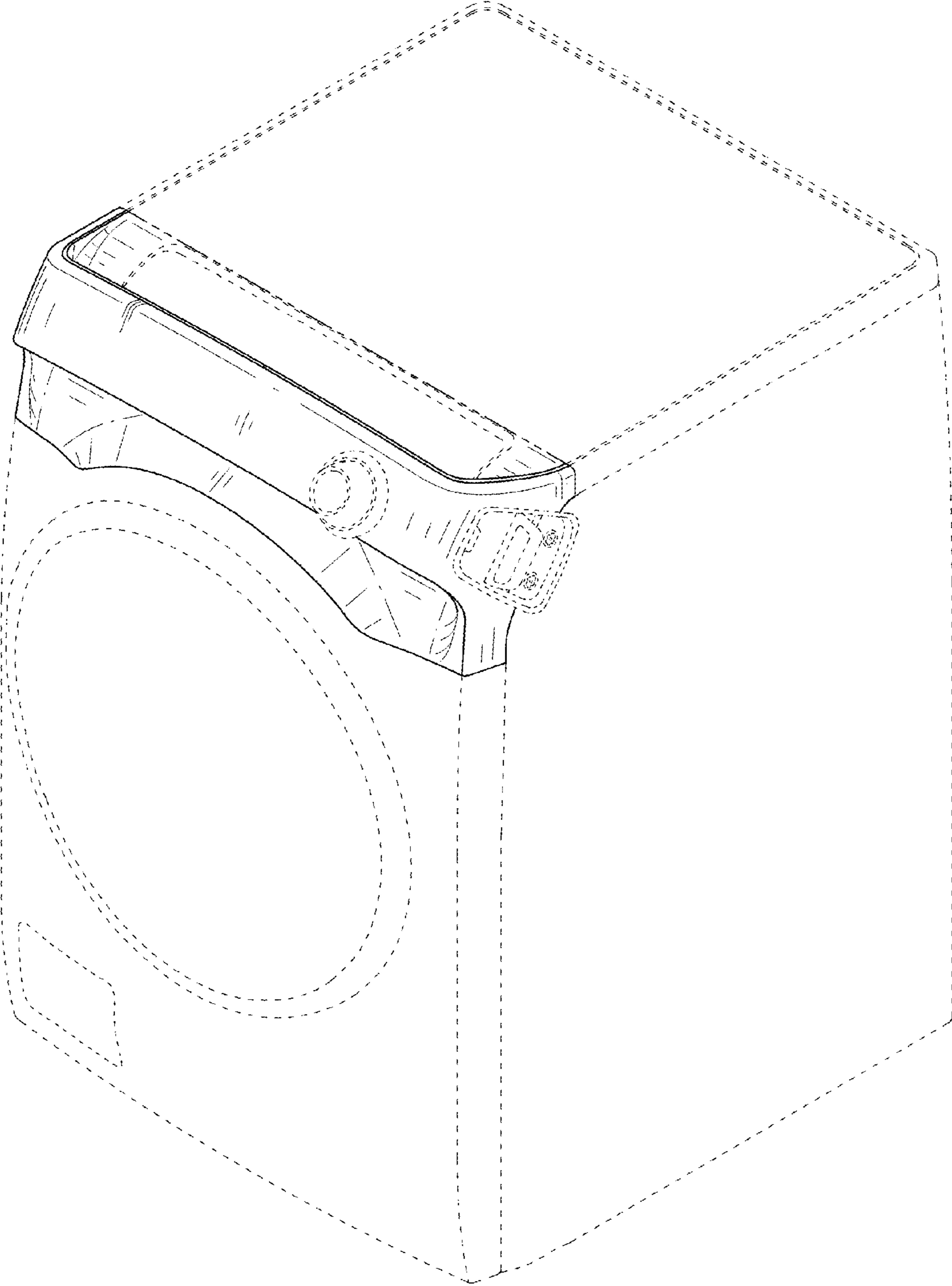


FIG. 2

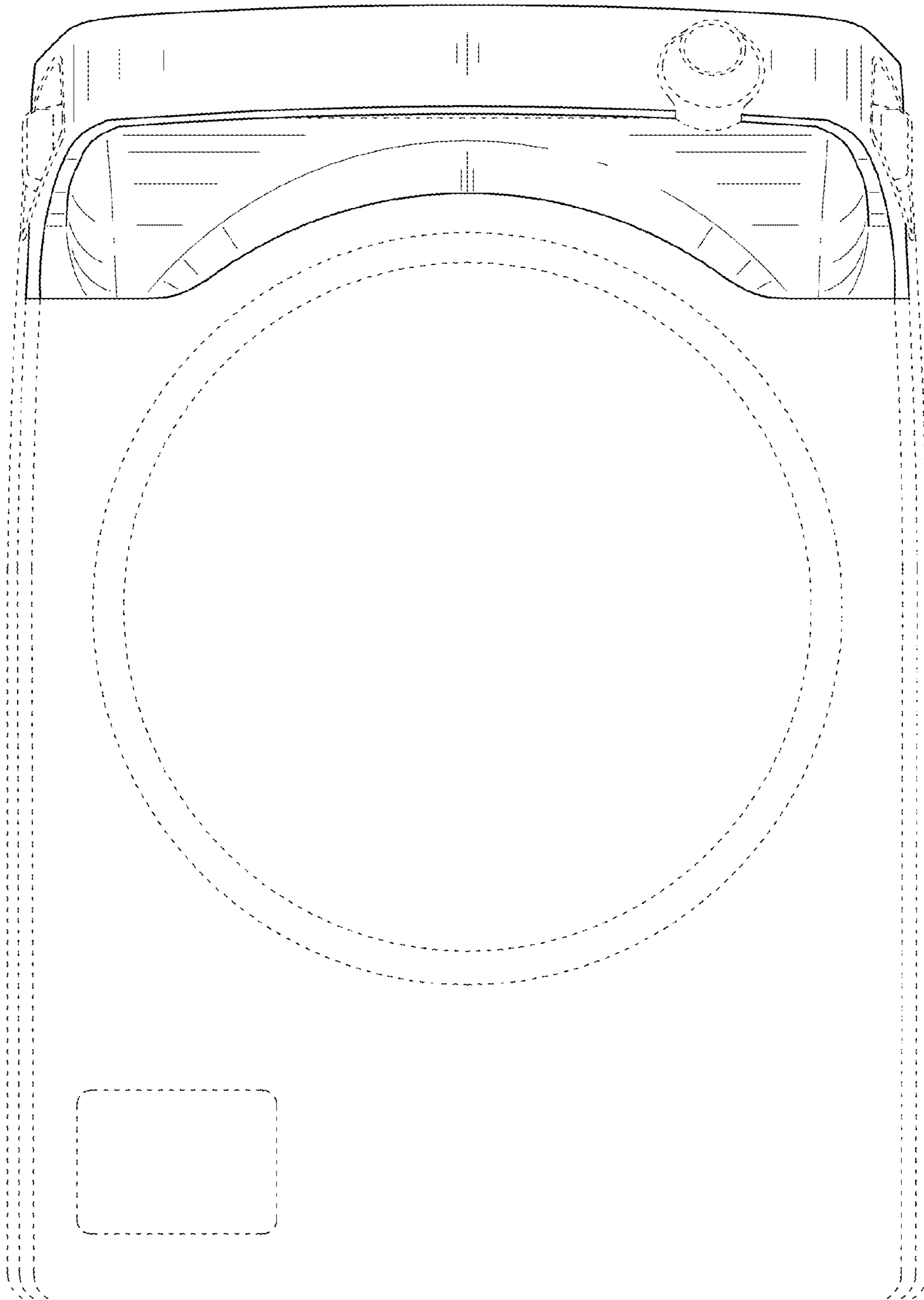


FIG. 3



FIG. 4

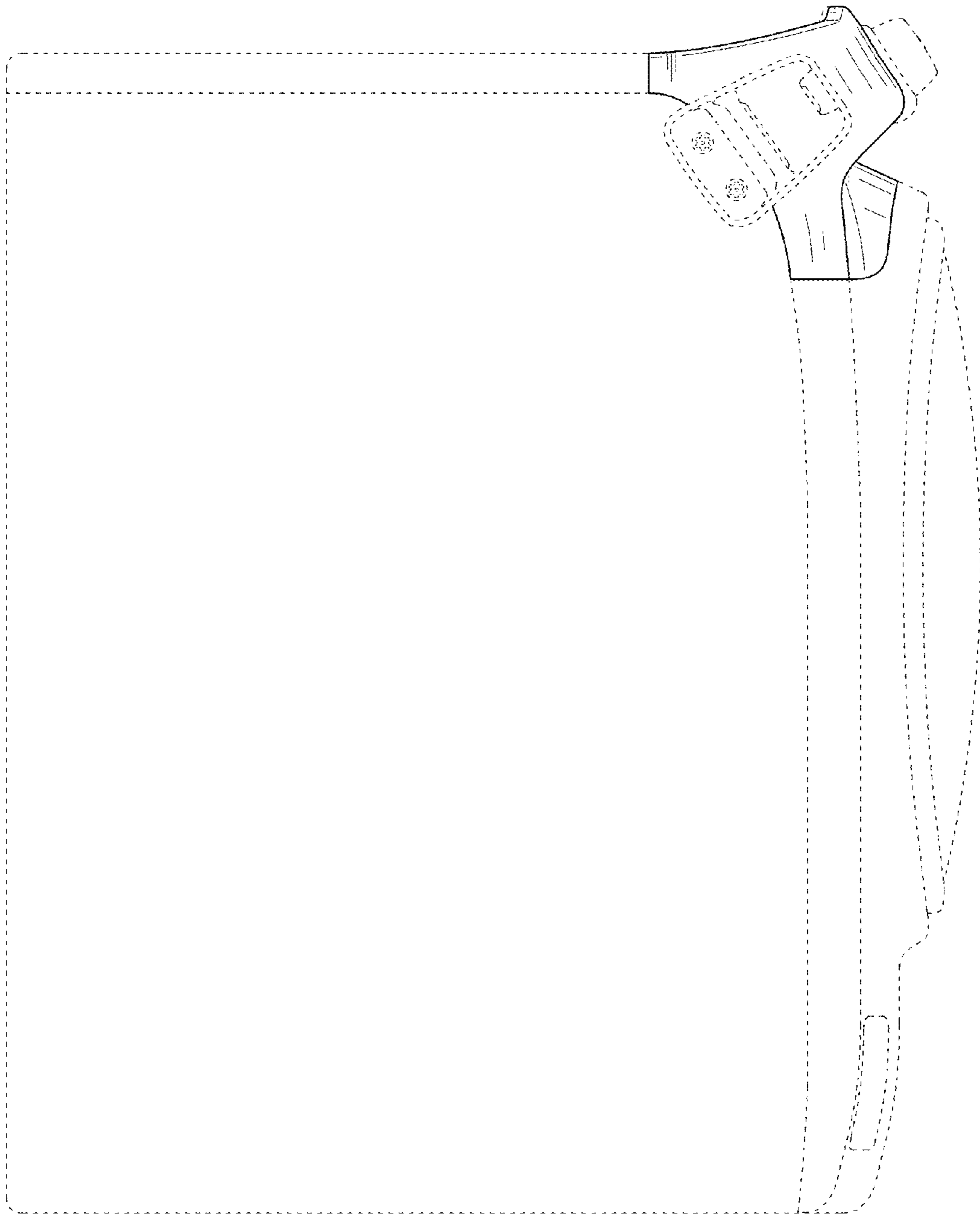


FIG. 5

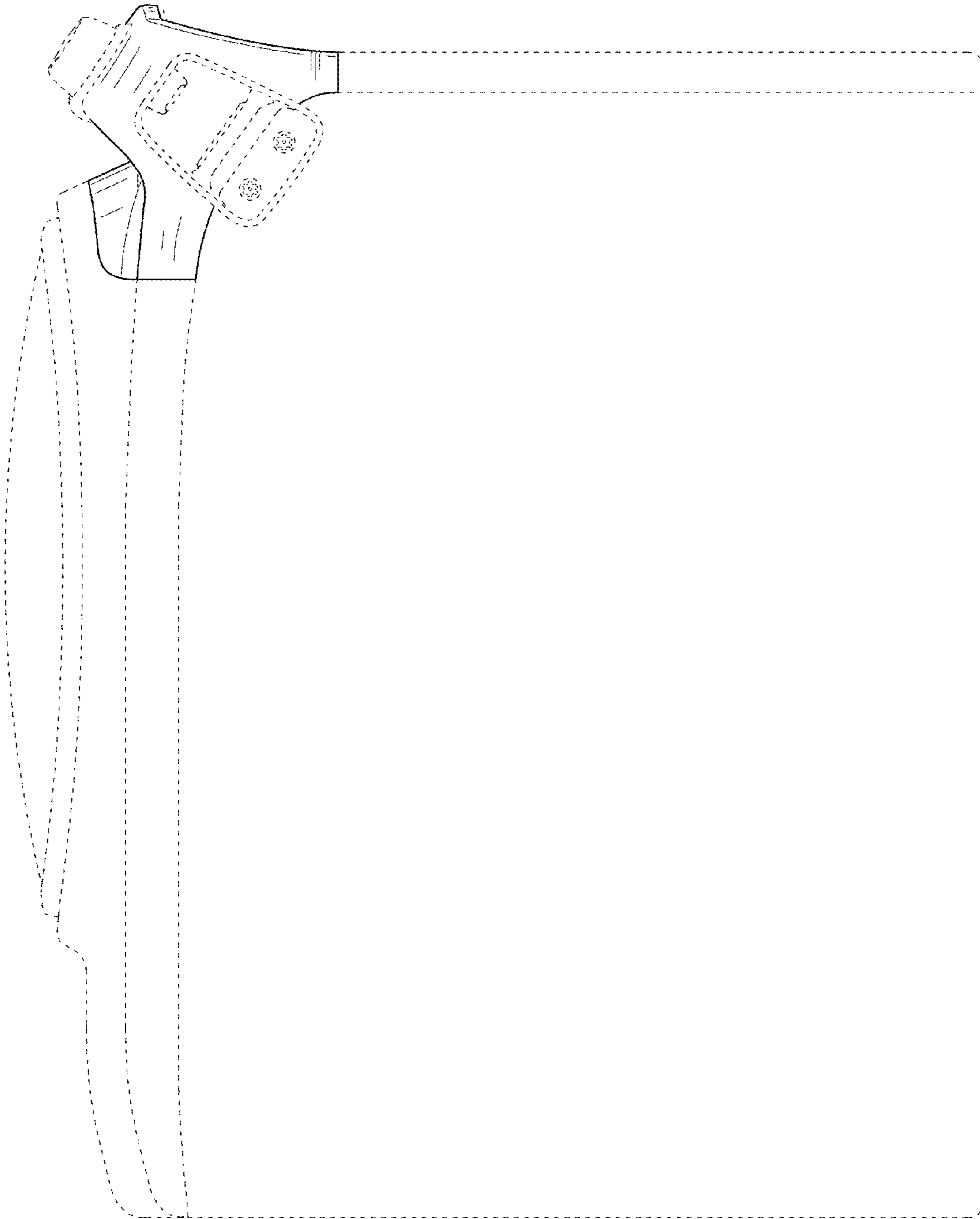




FIG. 6

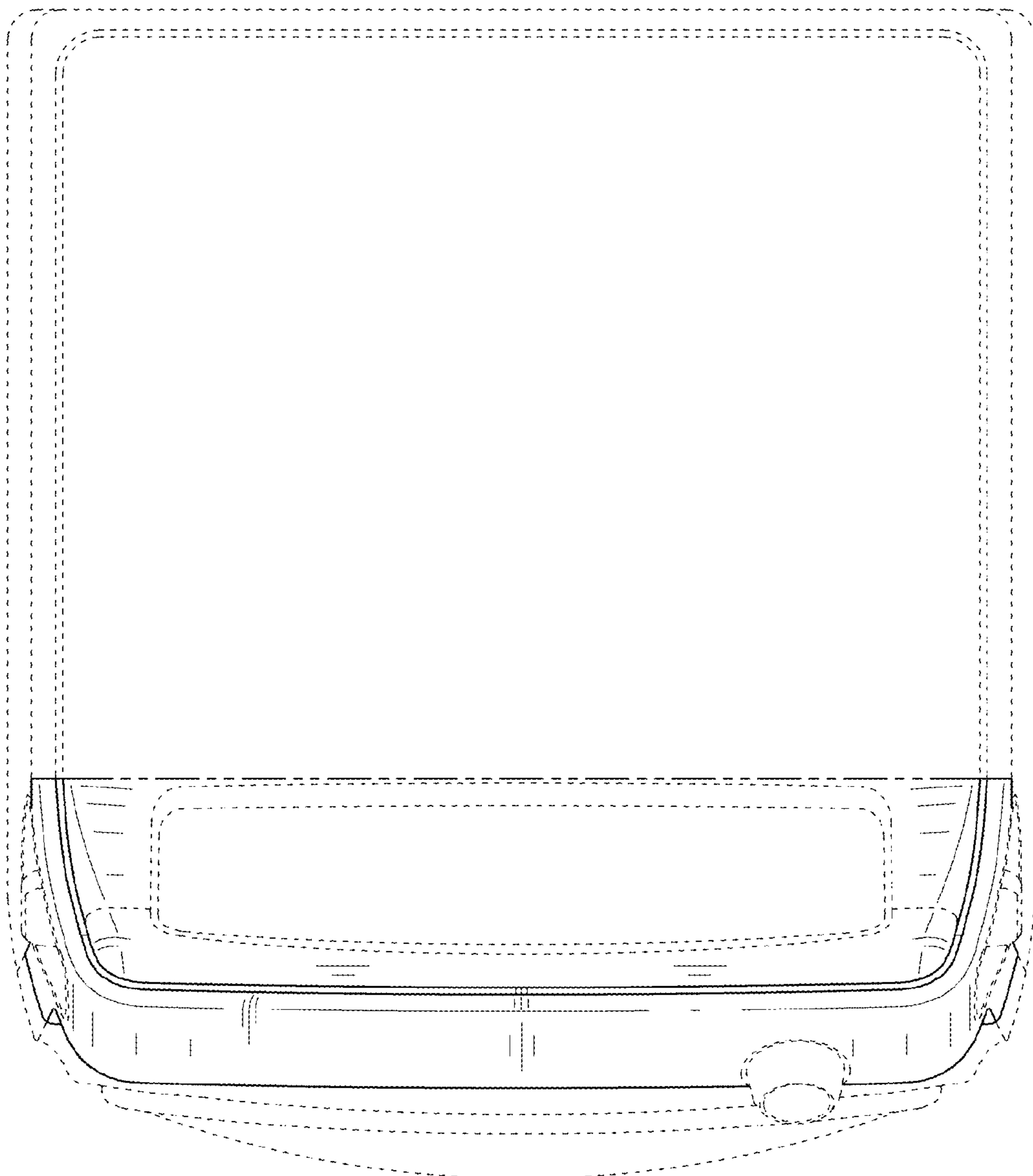




FIG. 7

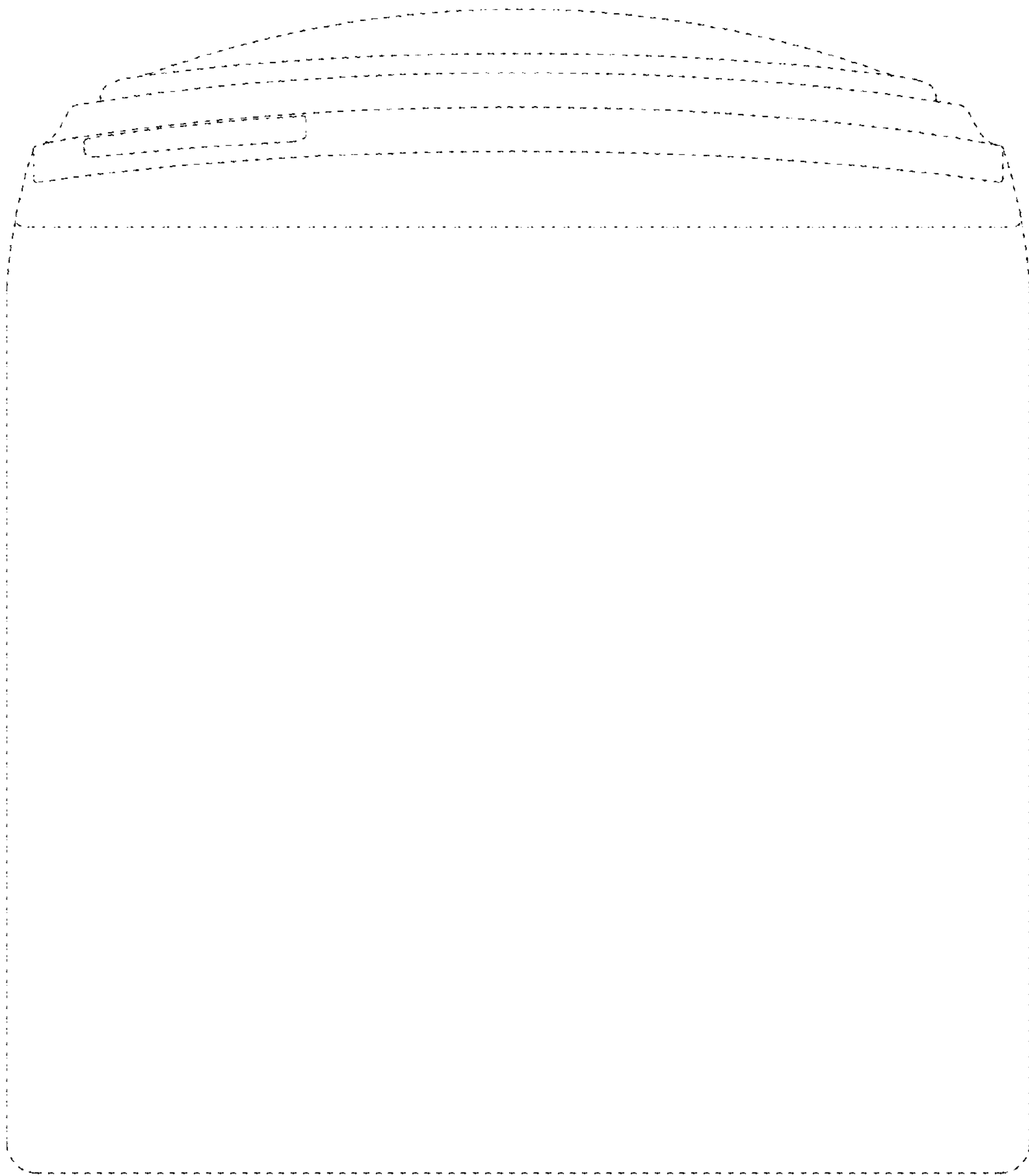


FIG. 8

