



US00D773761S

(12) **United States Design Patent**
Kim et al.

(10) **Patent No.:** **US D773,761 S**
(45) **Date of Patent:** **** Dec. 6, 2016**

(54) **WASHING MACHINE**

(71) Applicant: **Samsung Electronics Co., Ltd.**,
Suwon-si (KR)

(72) Inventors: **Kangdoo Kim**, Seoul (KR); **Minhyouk Bu**, Seoul (KR)

(73) Assignee: **SAMSUNG ELECTRONICS CO., LTD.** (KR)

(**) Term: **15 Years**

(21) Appl. No.: **29/538,598**

(22) Filed: **Sep. 4, 2015**

(30) **Foreign Application Priority Data**

Mar. 4, 2015 (KR) 30-2015-0011023

(51) **LOC (10) Cl.** **15-05**

(52) **U.S. Cl.**
USPC **D32/25**

(58) **Field of Classification Search**

USPC D32/1-6, 8, 10, 25, 28; 312/228, 228.1,
312/236, 294, 326; 68/3 R, 5 R, 235 R, 196,
68/212; 34/108, 130, 132, 595-597; 8/137
CPC D06F 39/022; D06F 39/14; D06F 39/028;
D06F 33/02; D06F 37/28; D06F 58/00;
D06F 58/02

See application file for complete search history.

(56) **References Cited**

U.S. PATENT DOCUMENTS

8,528,231 B2 * 9/2013 Kim D06F 37/02
15/312.1
D729,996 S * 5/2015 Hwang D32/6
D731,127 S * 6/2015 Ha D32/6
D731,719 S * 6/2015 Borjesson D32/6
D732,250 S * 6/2015 Borjesson D32/6
D732,763 S * 6/2015 Hwang D32/6
D734,572 S * 7/2015 Choi D32/6

D735,424 S * 7/2015 Ha D32/6
D739,097 S * 9/2015 Qin D32/6
D739,098 S * 9/2015 Qin D32/6
D744,179 S * 11/2015 Lee D32/28
D744,704 S * 12/2015 Ha D32/6
D746,521 S * 12/2015 Ha D32/6
D749,804 S * 2/2016 Ha D32/6
D749,807 S * 2/2016 Ha D32/28
D759,916 S * 6/2016 Choi D32/28

(Continued)

Primary Examiner — Rosemary K Tarcza

Assistant Examiner — Yolanda Robinson

(74) *Attorney, Agent, or Firm* — Cantor Colburn LLP

(57) **CLAIM**

The ornamental design for a washing machine, as shown and described.

DESCRIPTION

FIG. 1 is a perspective view of a washing machine, showing our new design;

FIG. 2 is a front view thereof;

FIG. 3 is a rear view thereof;

FIG. 4 is a side view thereof;

FIG. 5 is another side view thereof;

FIG. 6 is a top view thereof;

FIG. 7 is a bottom view thereof;

FIG. 8 is an enlarged view of the encircled portion 8 of FIG. 1;

FIG. 9 is an enlarged view of the encircled portion 9 of FIG. 2;

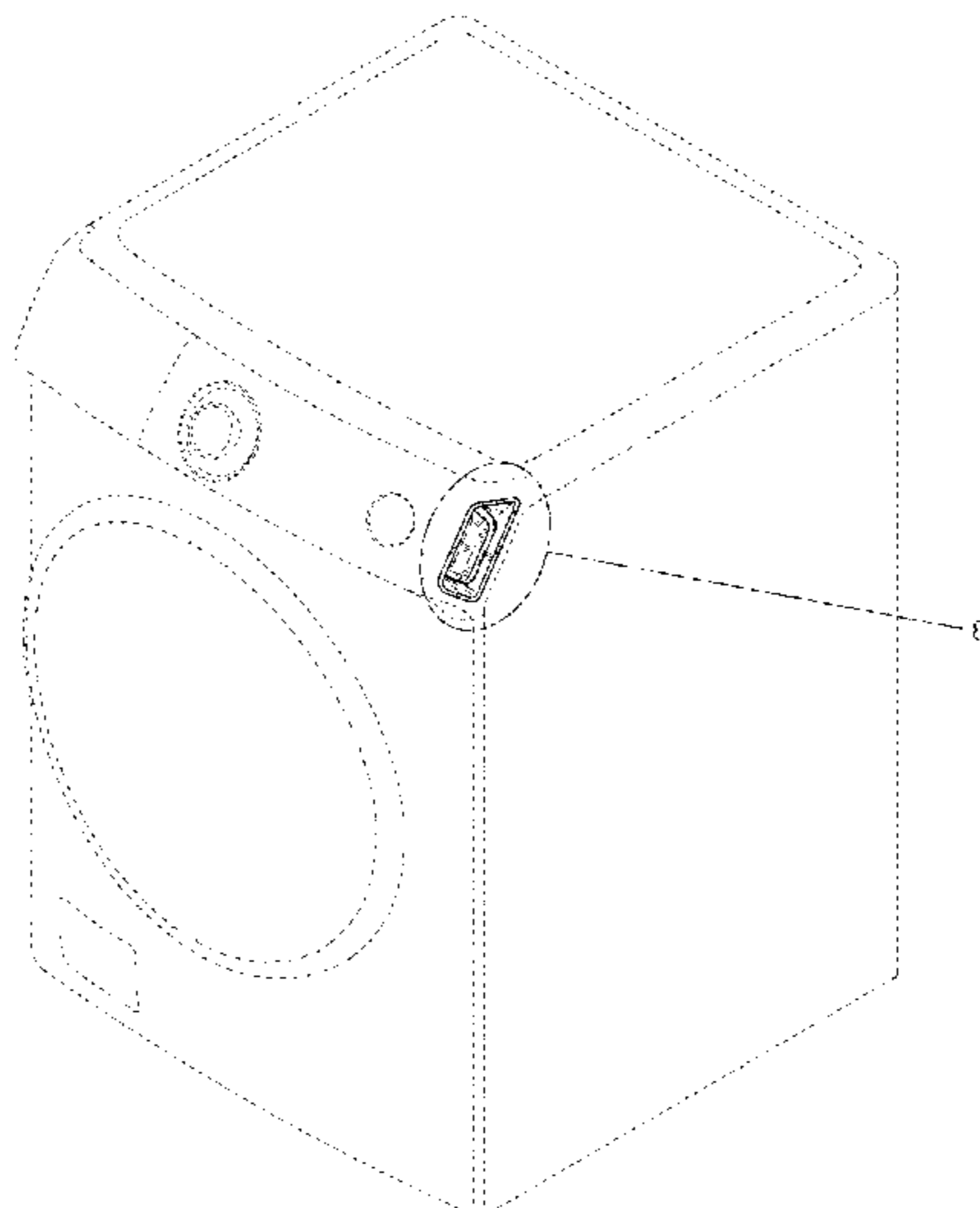
FIG. 10 is an enlarged view of the encircled portion 10 of FIG. 5; and,

FIG. 11 is an enlarged view of the encircled portion 11 of FIG. 6.

The broken lines illustrating portions of the washing machine form no part of the claimed design.

The dot-dash broken lines encircling enlargement portions of the design form no part of the claimed design.

1 Claim, 11 Drawing Sheets



US D773,761 S

Page 2

(56)

References Cited

U.S. PATENT DOCUMENTS

D759,917 S *	6/2016	Choi	D32/28	2009/0007603 A1*	1/2009	Chul	D06F 39/008 68/5 R
D759,918 S *	6/2016	Choi	D32/28	2015/0003027 A1*	1/2015	Han	D06F 39/02 361/752
D760,457 S *	6/2016	Choi	D32/28	2015/0376828 A1*	12/2015	Seo	D06F 29/00 68/3 R
D760,458 S *	6/2016	Choi	D32/28	2016/0160426 A1*	6/2016	Kim	D06F 58/04 34/108
2008/0006300 A1*	1/2008	Ahn	D06F 33/02 134/18					

* cited by examiner

FIG. 1

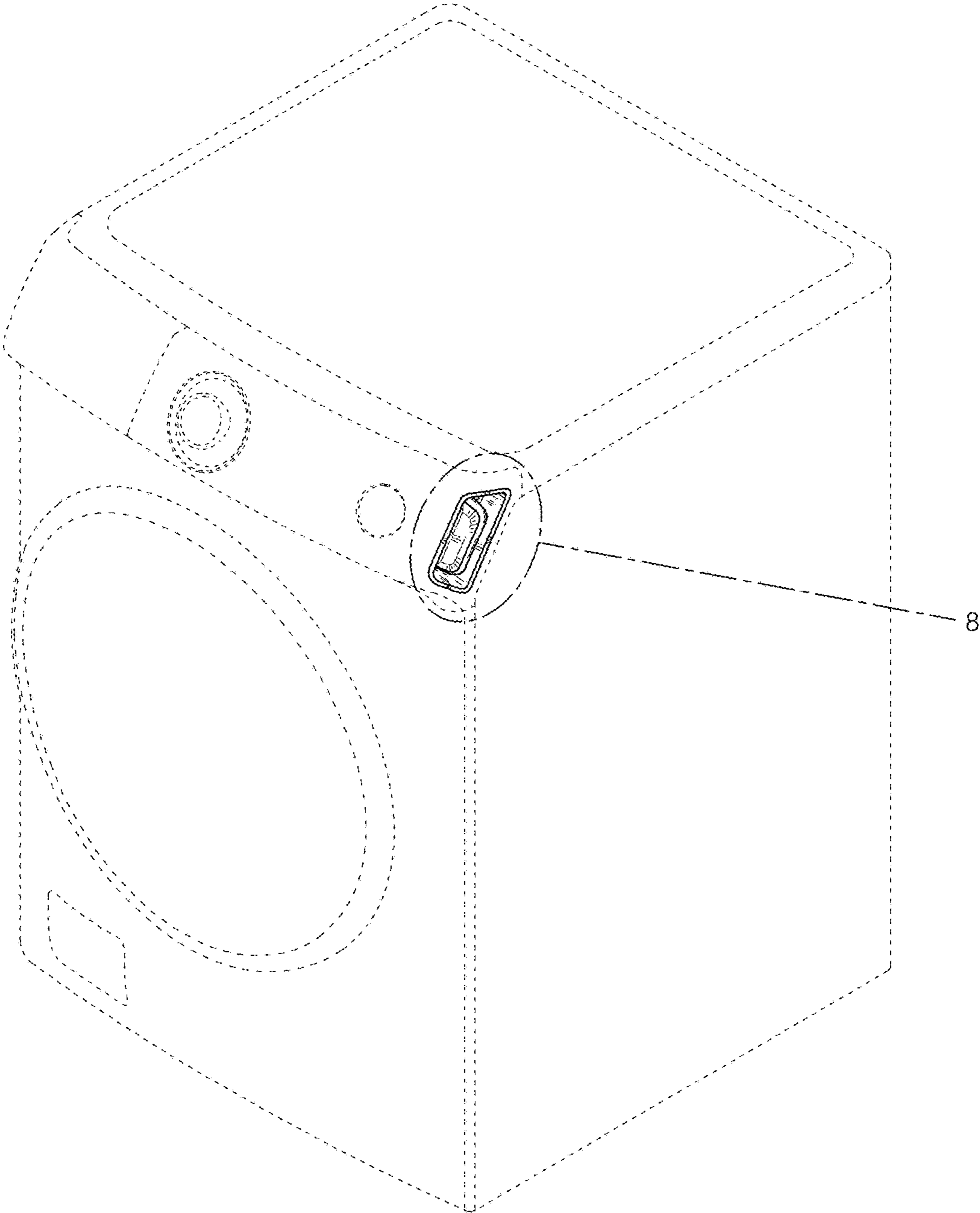


FIG. 2

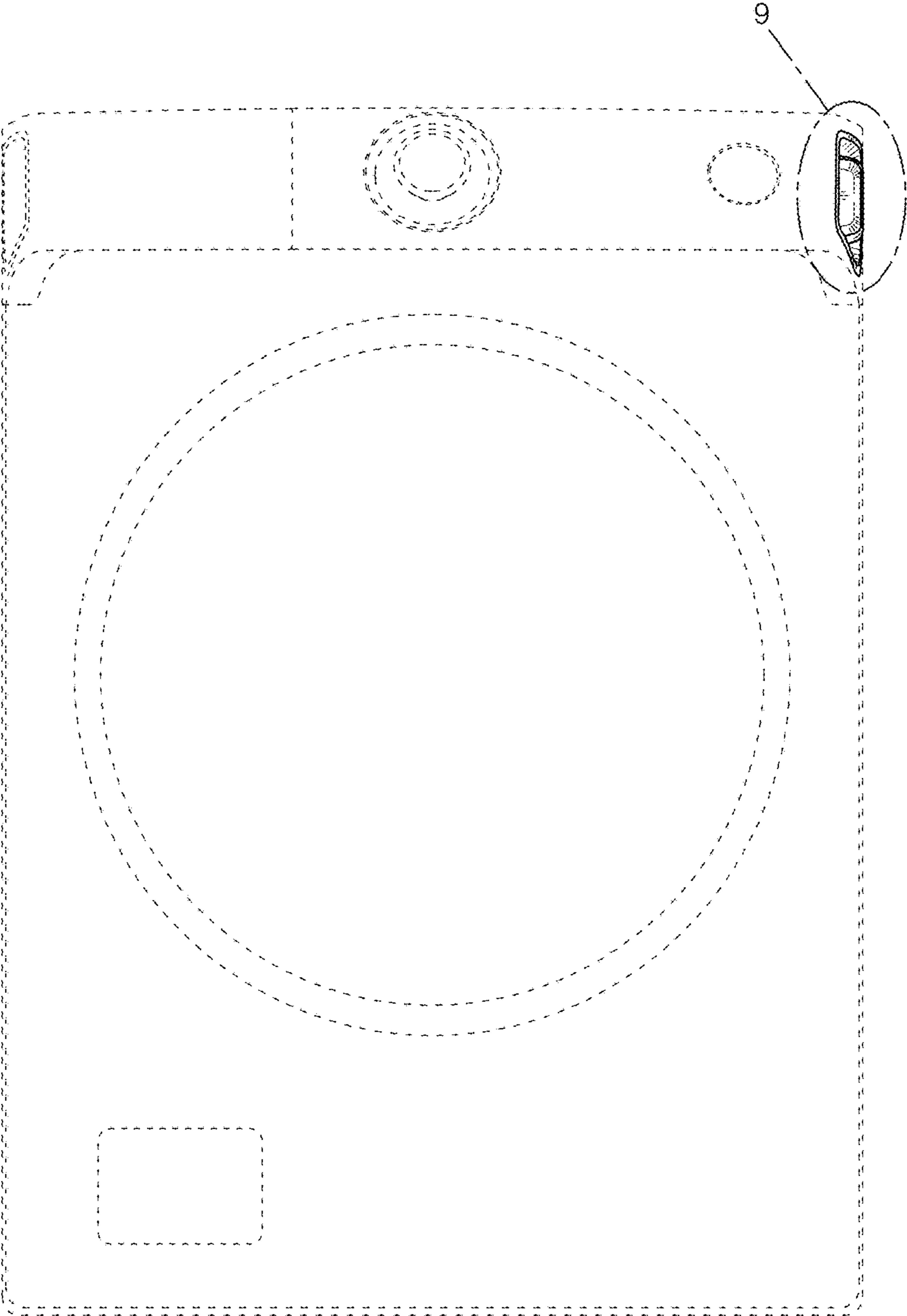


FIG. 3



FIG. 4

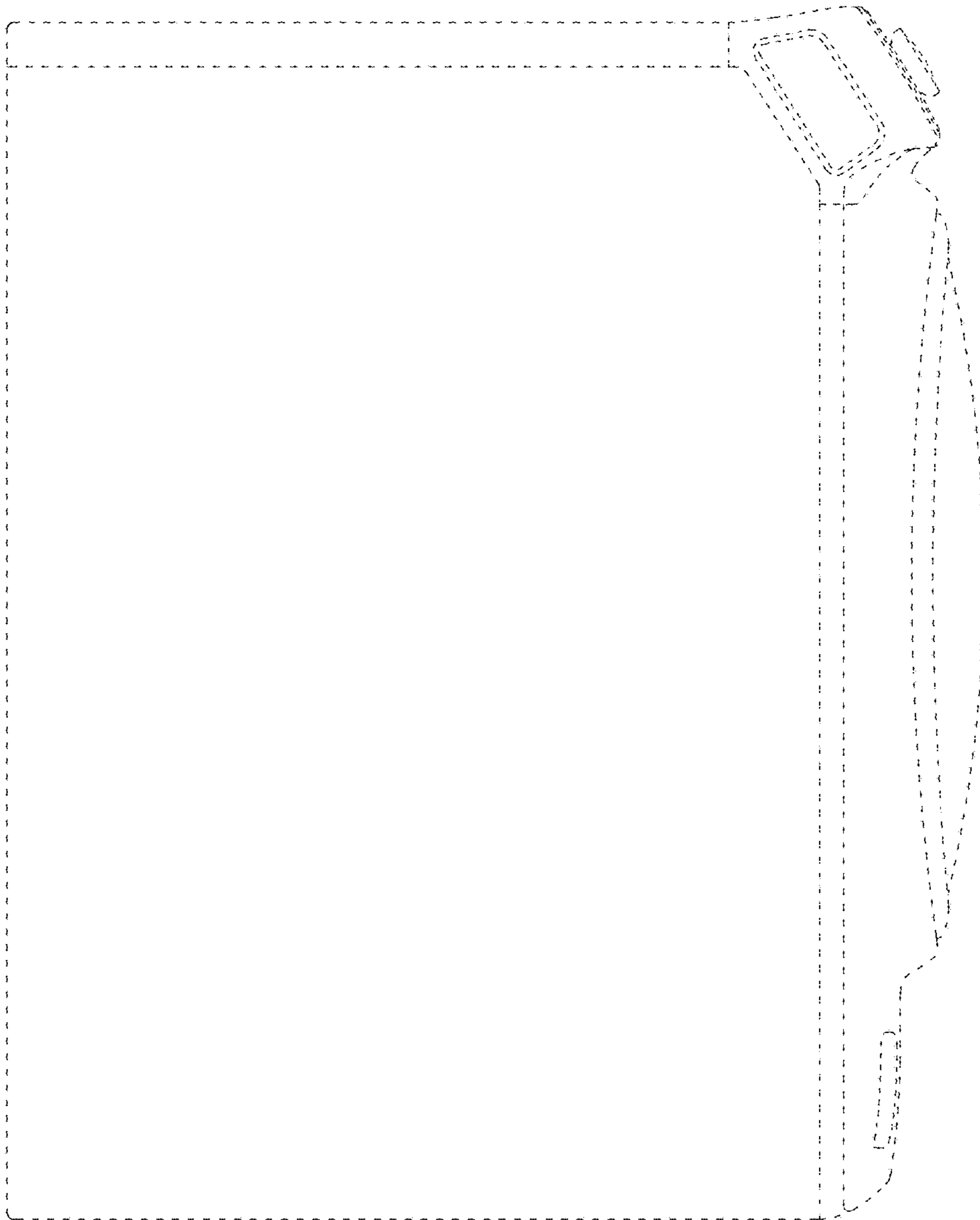


FIG. 5

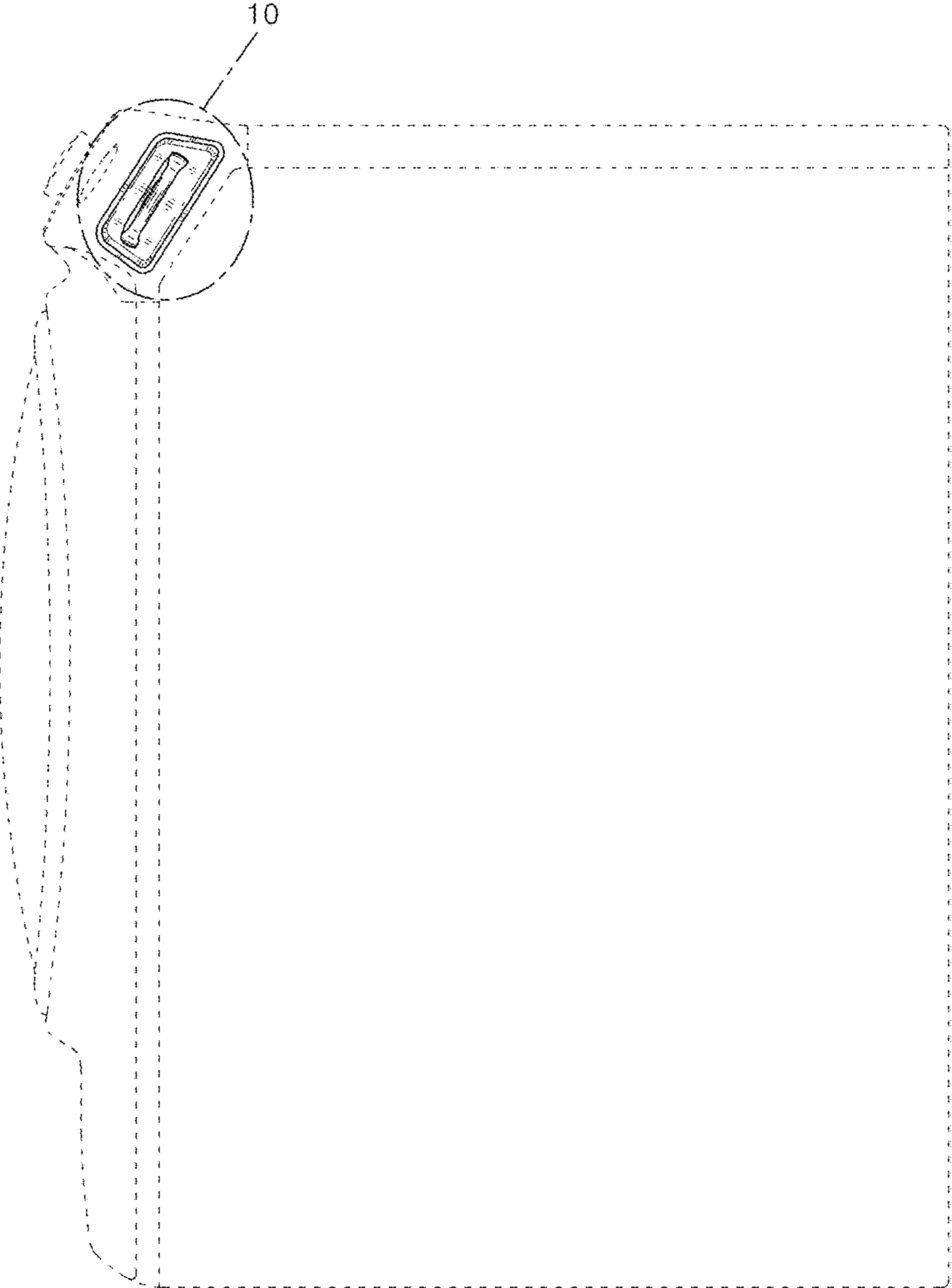


FIG. 6

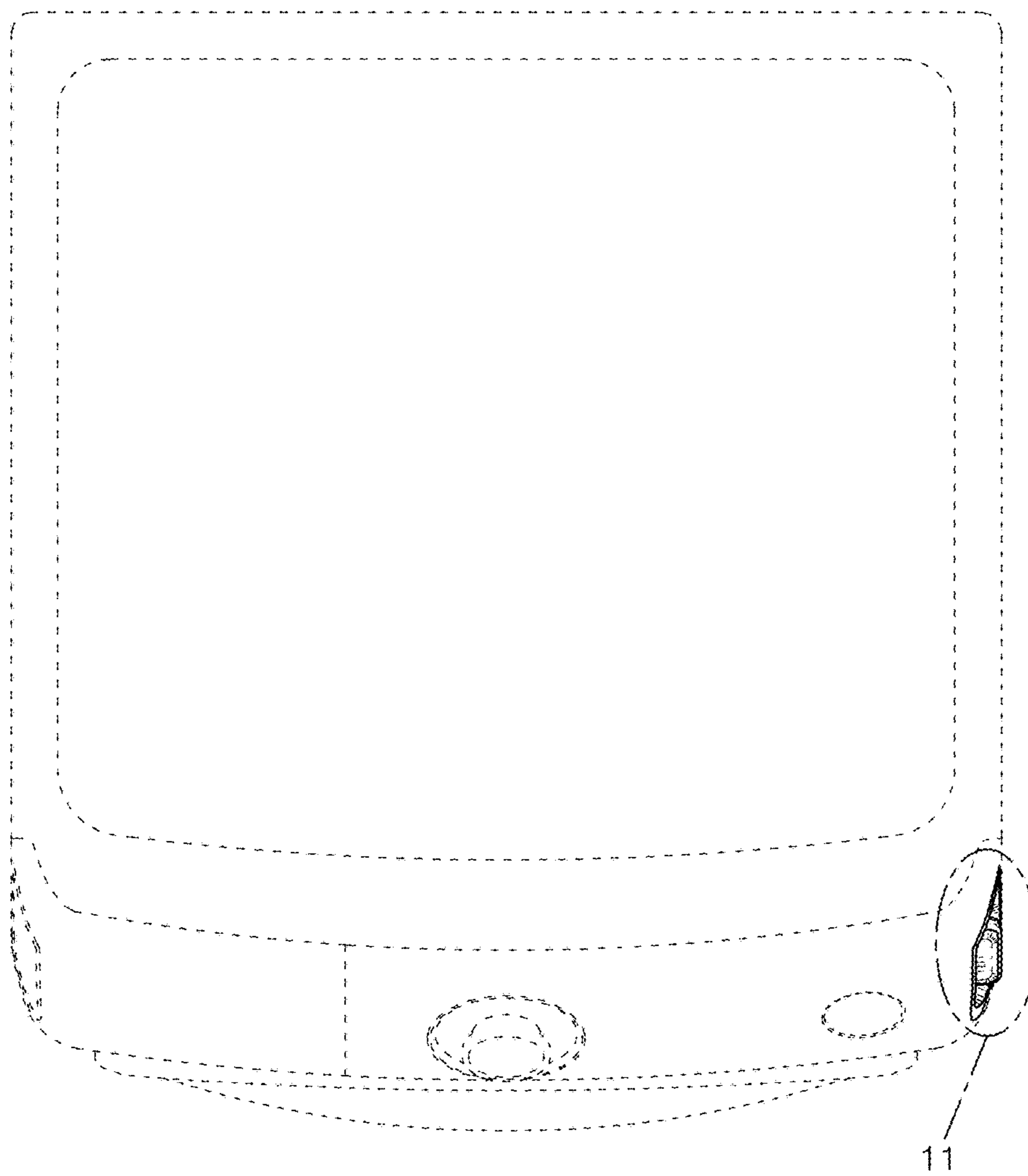


FIG. 7

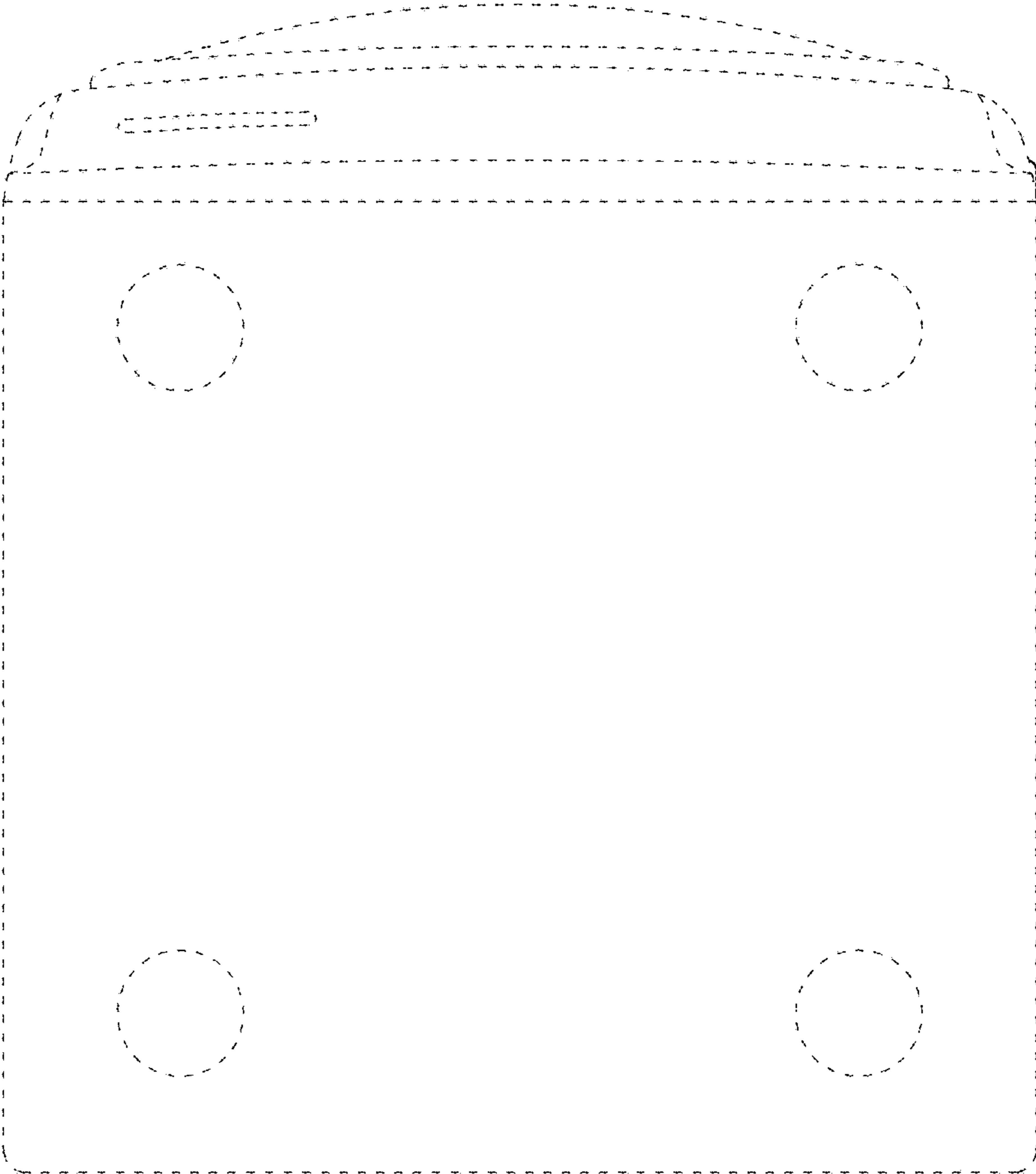


FIG. 8

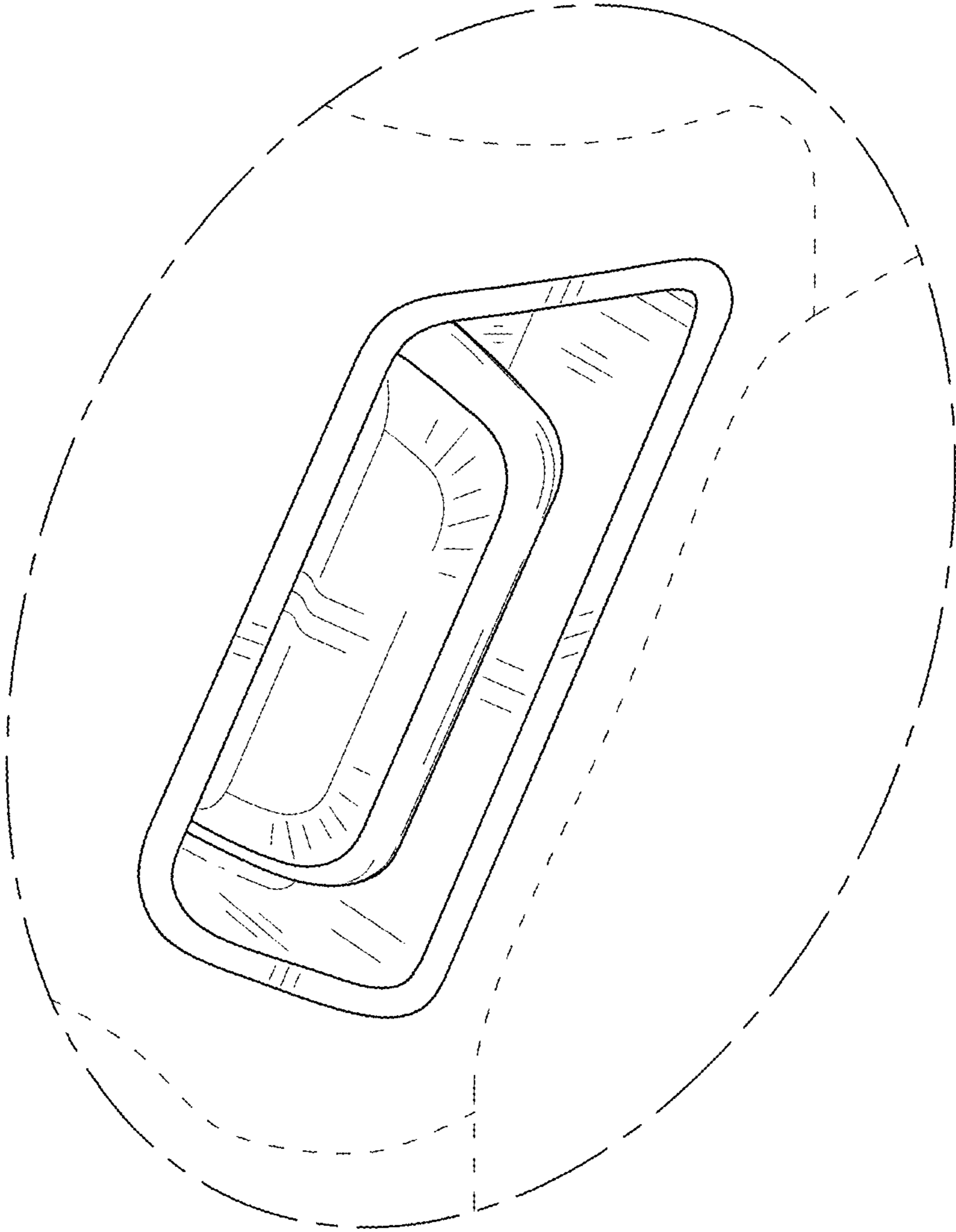


FIG. 9

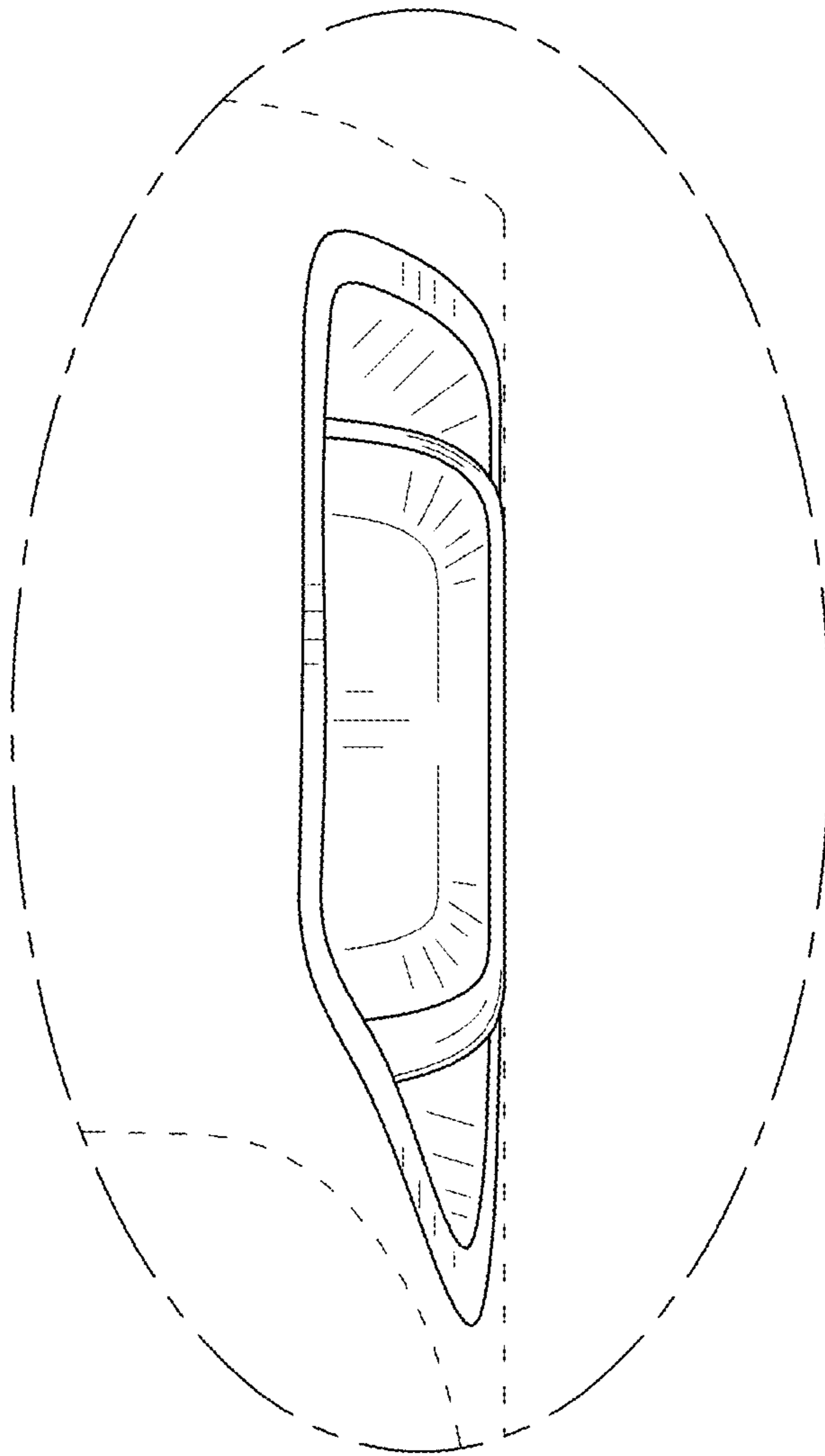


FIG. 10

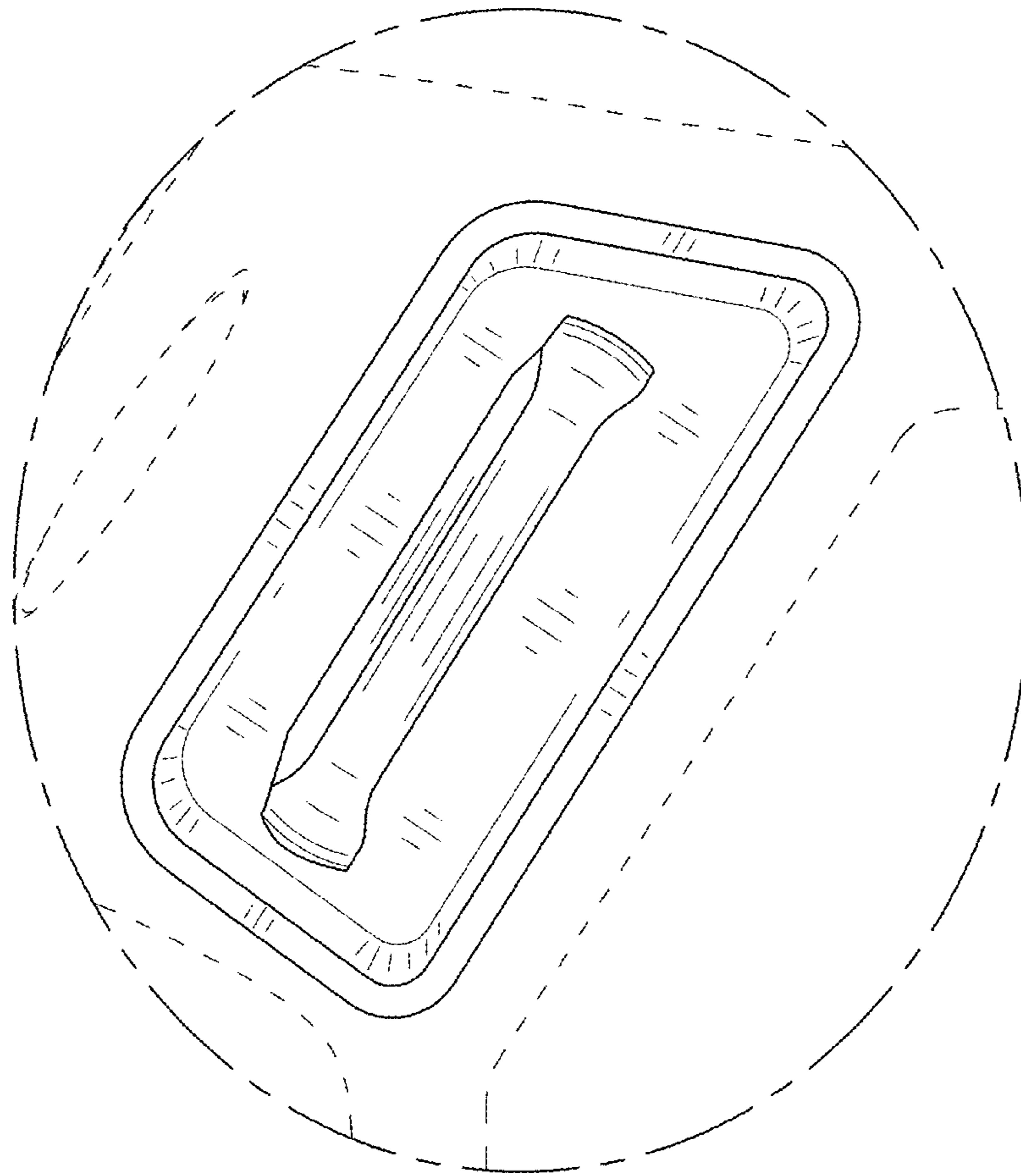


FIG. 11

