



US00D773760S

(12) **United States Design Patent**  
**Hwang et al.**

(10) **Patent No.:** **US D773,760 S**

(45) **Date of Patent:** **\*\* Dec. 6, 2016**

(54) **WASHING MACHINE**

(71) Applicant: **Samsung Electronics Co., Ltd.**,  
Suwon-si (KR)

(72) Inventors: **Junghoon Hwang**, Yongin-si (KR);  
**Deoksang Yun**, Ansan-si (KR); **Yeonsu Kim**, Seoul (KR); **Wonchul Hwang**,  
Seoul (KR)

(73) Assignee: **SAMSUNG ELECTRONICS CO., LTD.** (KR)

(\*\*) Term: **15 Years**

(21) Appl. No.: **29/537,277**

(22) Filed: **Aug. 24, 2015**

(30) **Foreign Application Priority Data**

Feb. 24, 2015 (KR) ..... 30-2015-0009299

(51) **LOC (10) Cl.** ..... **15-05**

(52) **U.S. Cl.**  
USPC ..... **D32/25**

(58) **Field of Classification Search**  
USPC ..... D32/1-6, 8, 10, 25, 28; 312/228, 228.1,  
312/236, 294, 326; 68/3 R, 5 R, 235 R,  
196, 212; 34/108, 130-132, 595-597;  
8/137  
CPC ..... D06F 39/022; D06F 39/028; D06F 39/14;  
D06F 37/28; D06F 33/02; D06F  
58/00; D06F 58/02

See application file for complete search history.

(56) **References Cited**

**U.S. PATENT DOCUMENTS**

D557,467 S \* 12/2007 Kwon ..... D32/6  
D694,967 S \* 12/2013 Jeon ..... D32/6  
D698,508 S \* 1/2014 Cho ..... D32/25

D703,891 S \* 4/2014 Chung ..... D32/25  
D731,127 S \* 6/2015 Ha ..... D32/6  
D731,129 S \* 6/2015 Ha ..... D32/6  
D731,132 S \* 6/2015 Ha ..... D32/28  
D732,777 S \* 6/2015 Ha ..... D32/28

(Continued)

*Primary Examiner* — Rosemary K Tarcza

*Assistant Examiner* — Yolanda Robinson

(74) *Attorney, Agent, or Firm* — Cantor Colburn LLP

(57) **CLAIM**

The ornamental design for a washing machine, as shown and described.

**DESCRIPTION**

FIG. 1 is a perspective view of a washing machine, showing our new design;

FIG. 2 is a front view thereof;

FIG. 3 is a rear view thereof;

FIG. 4 is a side view thereof;

FIG. 5 is another side view thereof;

FIG. 6 is a top view thereof;

FIG. 7 is a bottom view thereof;

FIG. 8 is an enlarged view of the portion 8 of FIG. 1;

FIG. 9 is a perspective view of a washing machine, showing our new design in another configuration;

FIG. 10 is a front view thereof;

FIG. 11 is a rear view thereof;

FIG. 12 is a side view thereof;

FIG. 13 is another side view thereof;

FIG. 14 is a top view thereof;

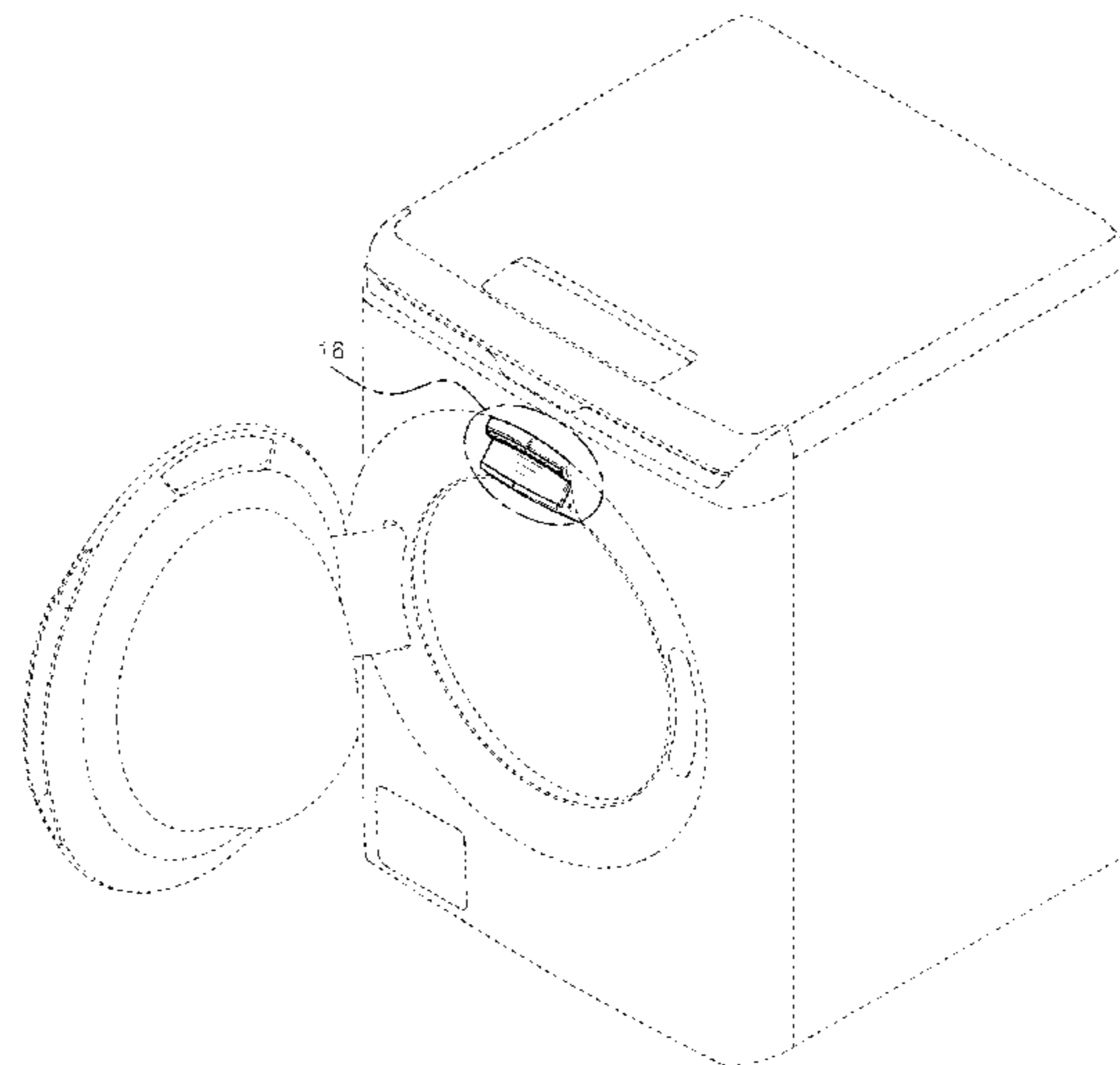
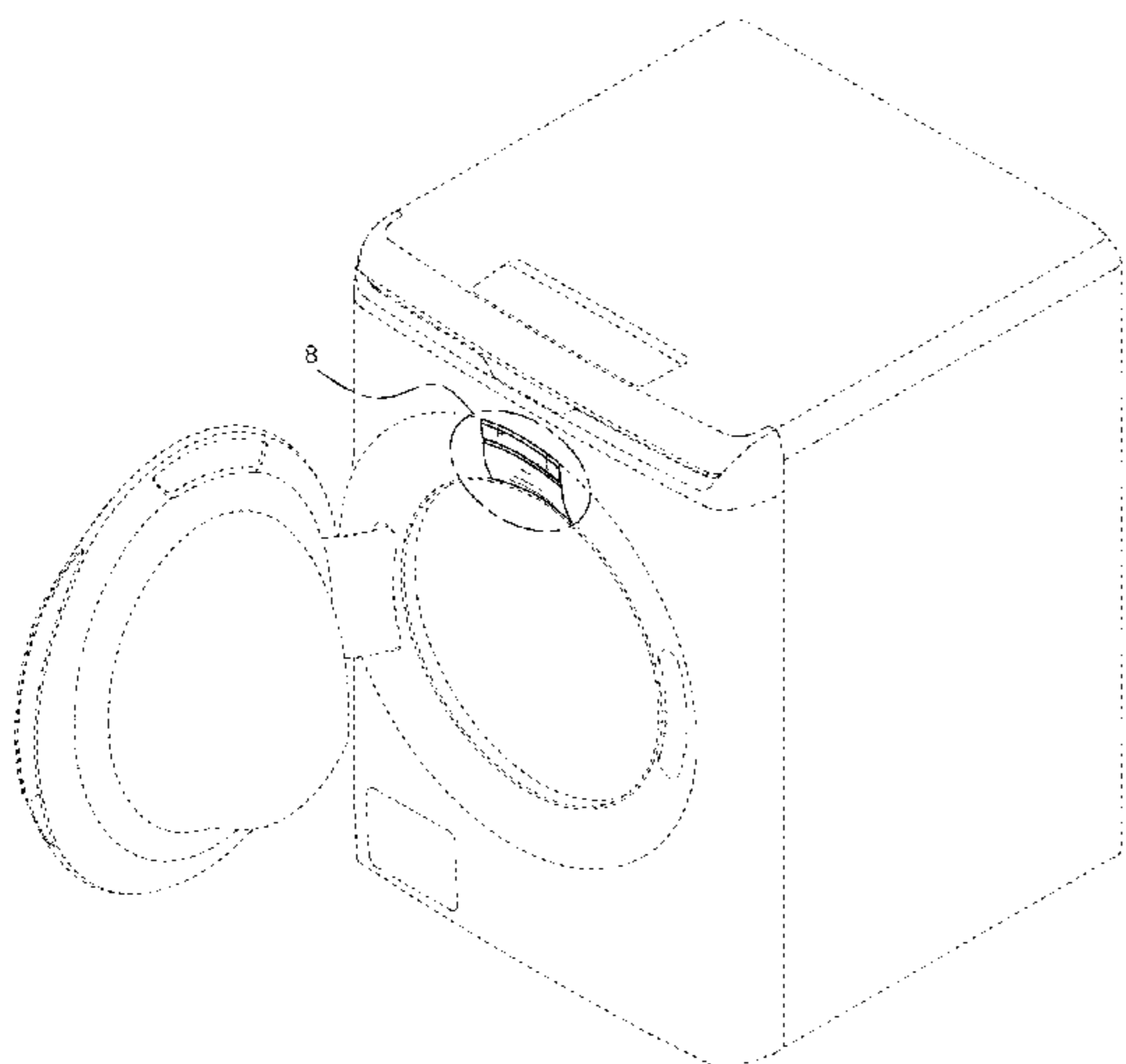
FIG. 15 is a bottom view thereof; and,

FIG. 16 is an enlarged view of the portion 16 of FIG. 9.

The broken lines illustrating portions of the washing machine are environmental purposes only and form no part of the claimed design.

The dot-dash broken lines encircling enlargement portions of the design form no part of the claimed design.

**1 Claim, 16 Drawing Sheets**



(56)

**References Cited**

U.S. PATENT DOCUMENTS

9,051,679	B2 *	6/2015	Kwon .....	D06F 37/262
D746,006	S *	12/2015	Ha .....	D32/25
9,200,841	B2 *	12/2015	Heo .....	D06F 58/02
D753,353	S *	4/2016	Kim .....	D32/6
2011/0088172	A1 *	4/2011	Im .....	D06F 33/02
				8/137
2014/0123514	A1 *	5/2014	Ashrafzadeh .....	D06F 39/003
				34/443
2014/0157526	A1 *	6/2014	Larmo .....	D06F 39/003
				8/137
2014/0191643	A1 *	7/2014	Lee .....	D06F 39/14
				312/326
2015/0020318	A1 *	1/2015	Seo .....	D06F 23/02
				8/137
2016/0177492	A1 *	6/2016	Pittalis .....	D06F 39/087
				68/9

\* cited by examiner

FIG. 1

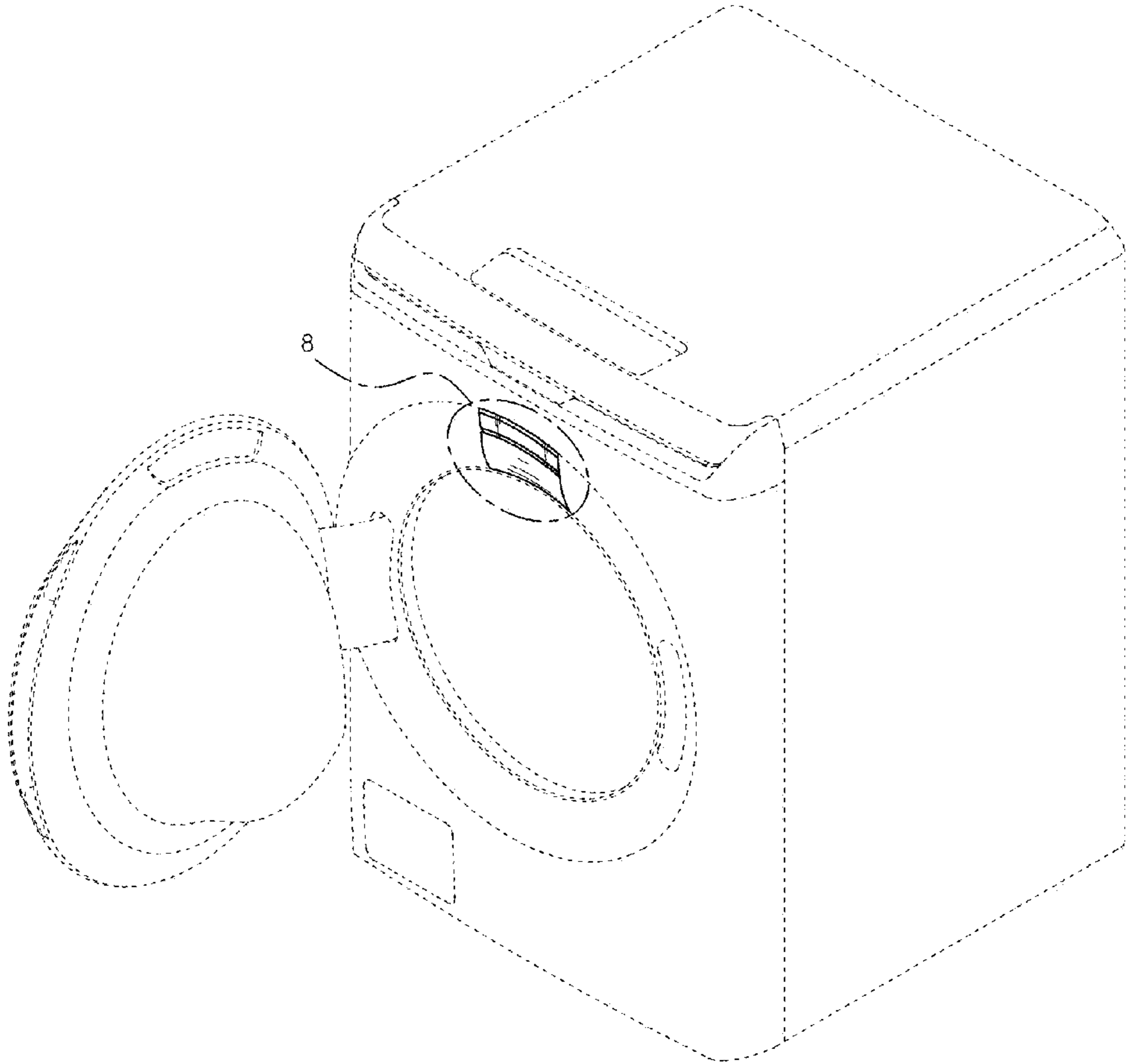


FIG. 2

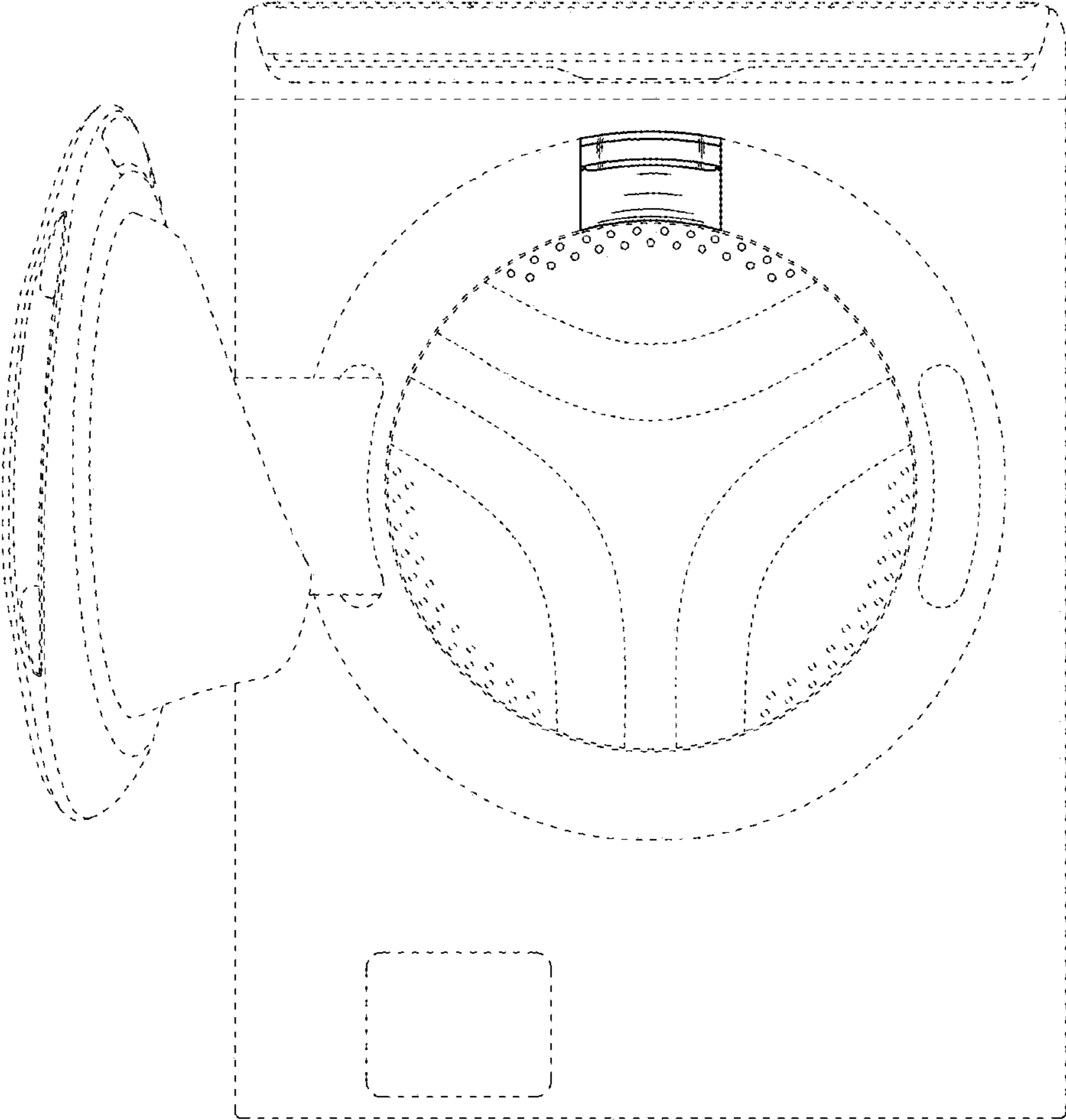


FIG. 3

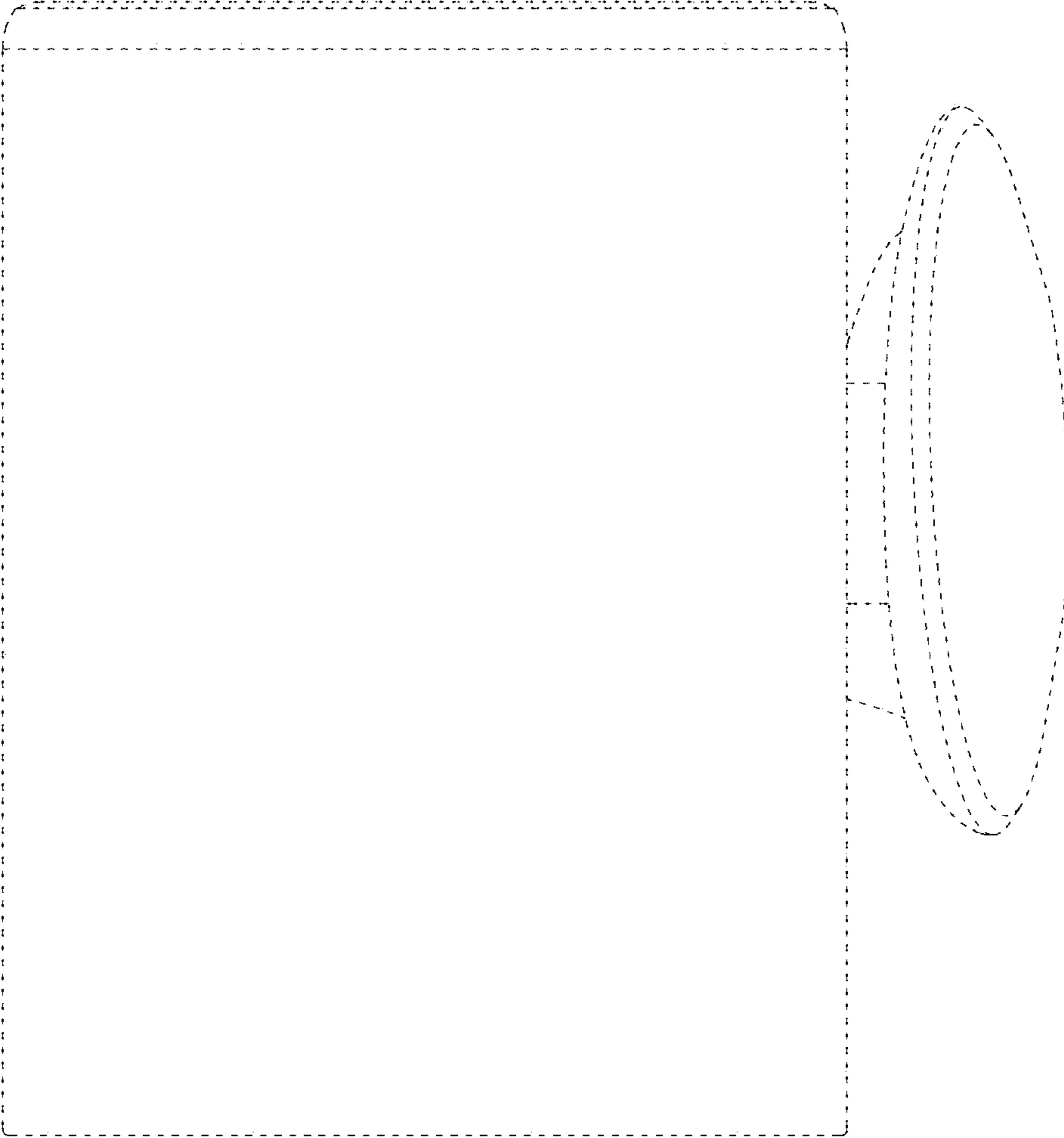


FIG. 4

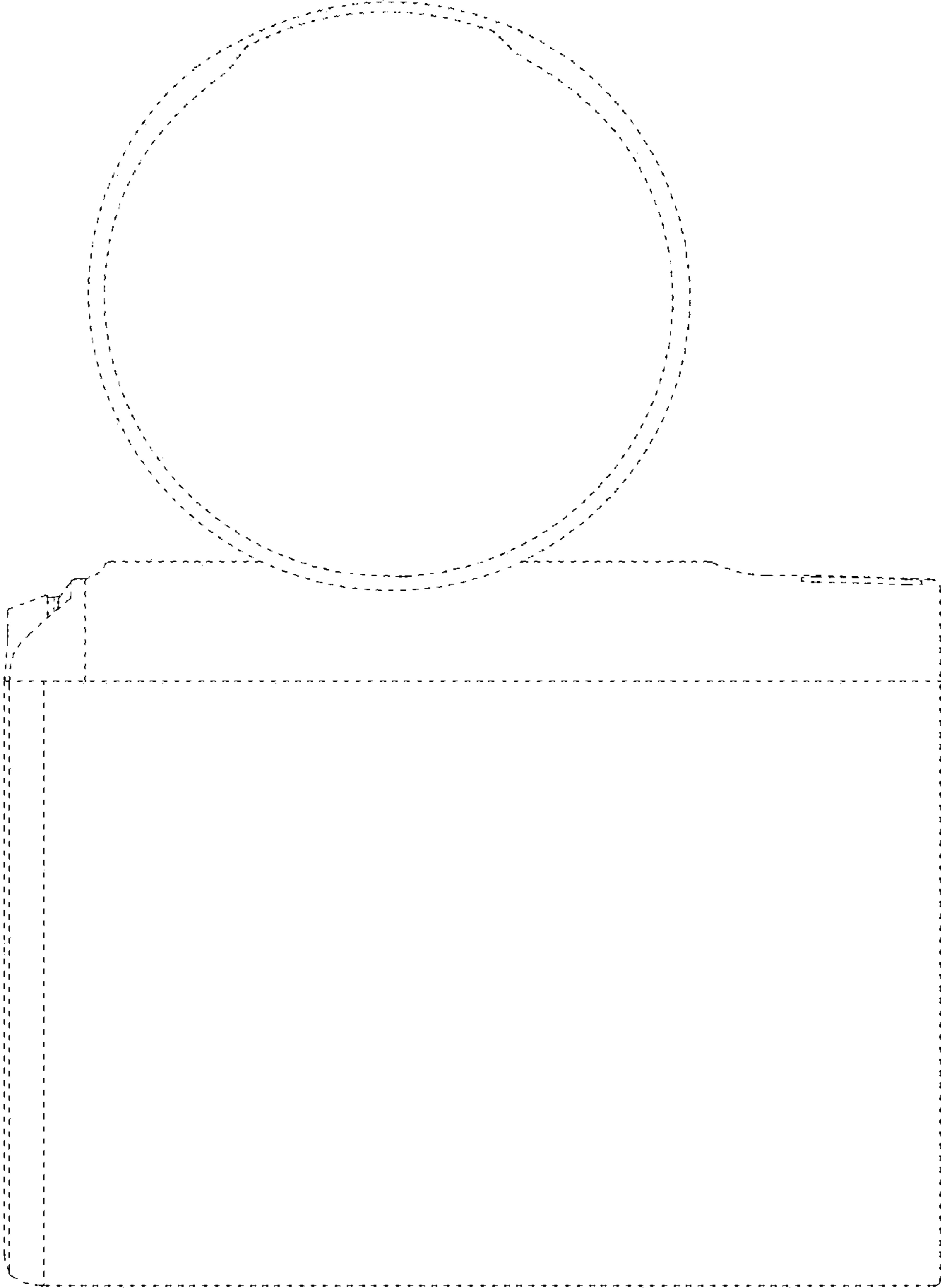


FIG. 5

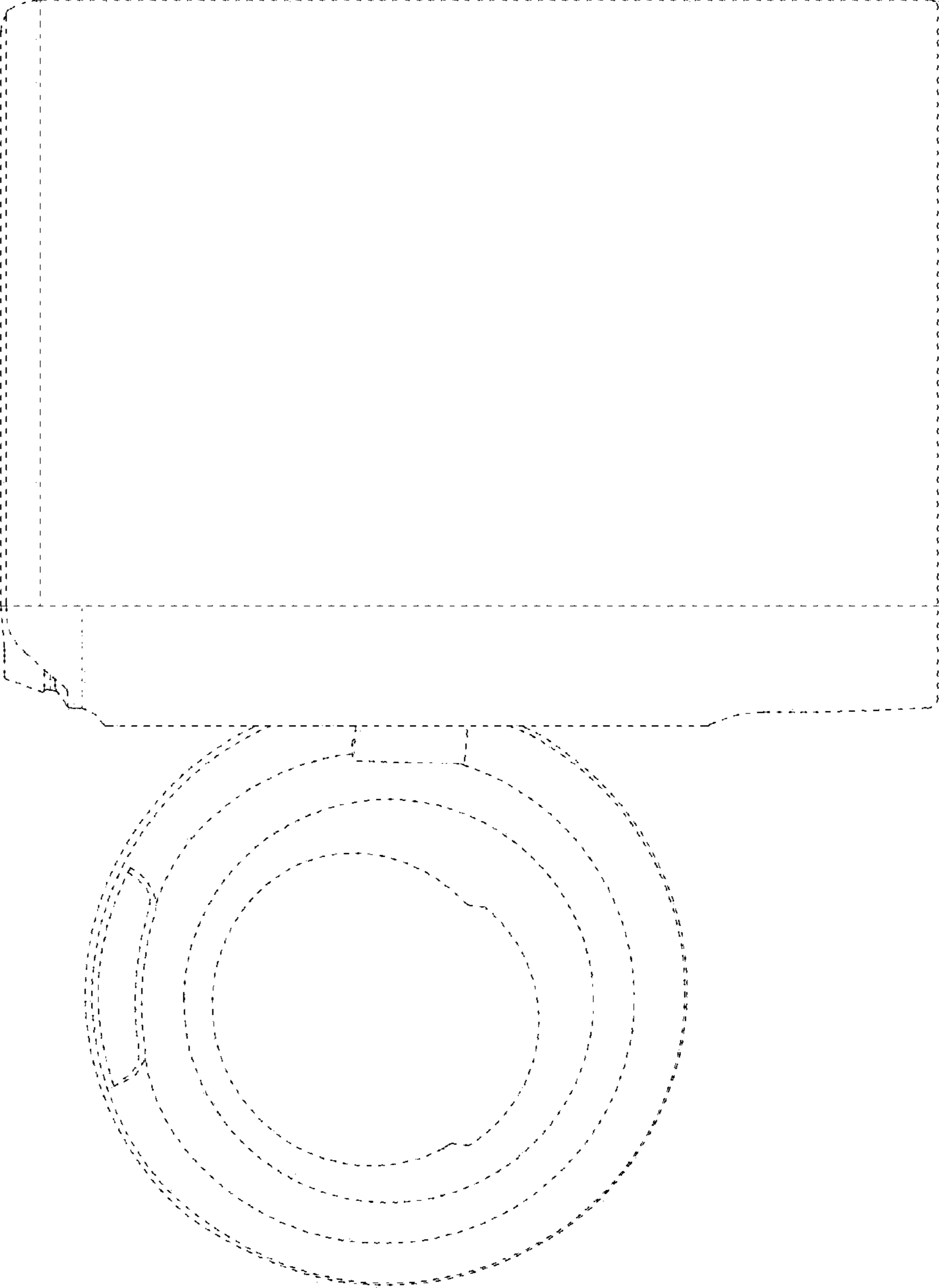


FIG. 6

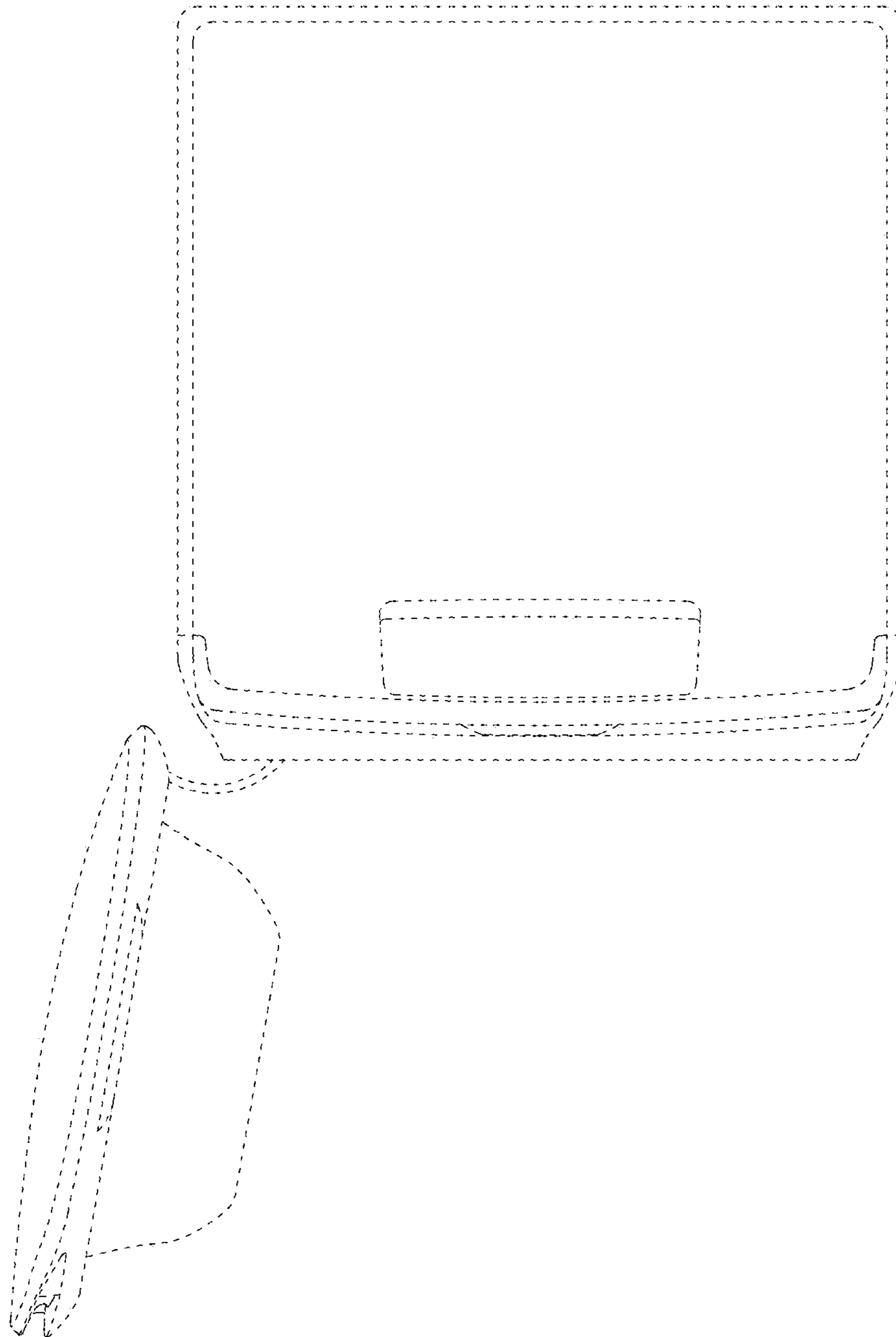




FIG. 7

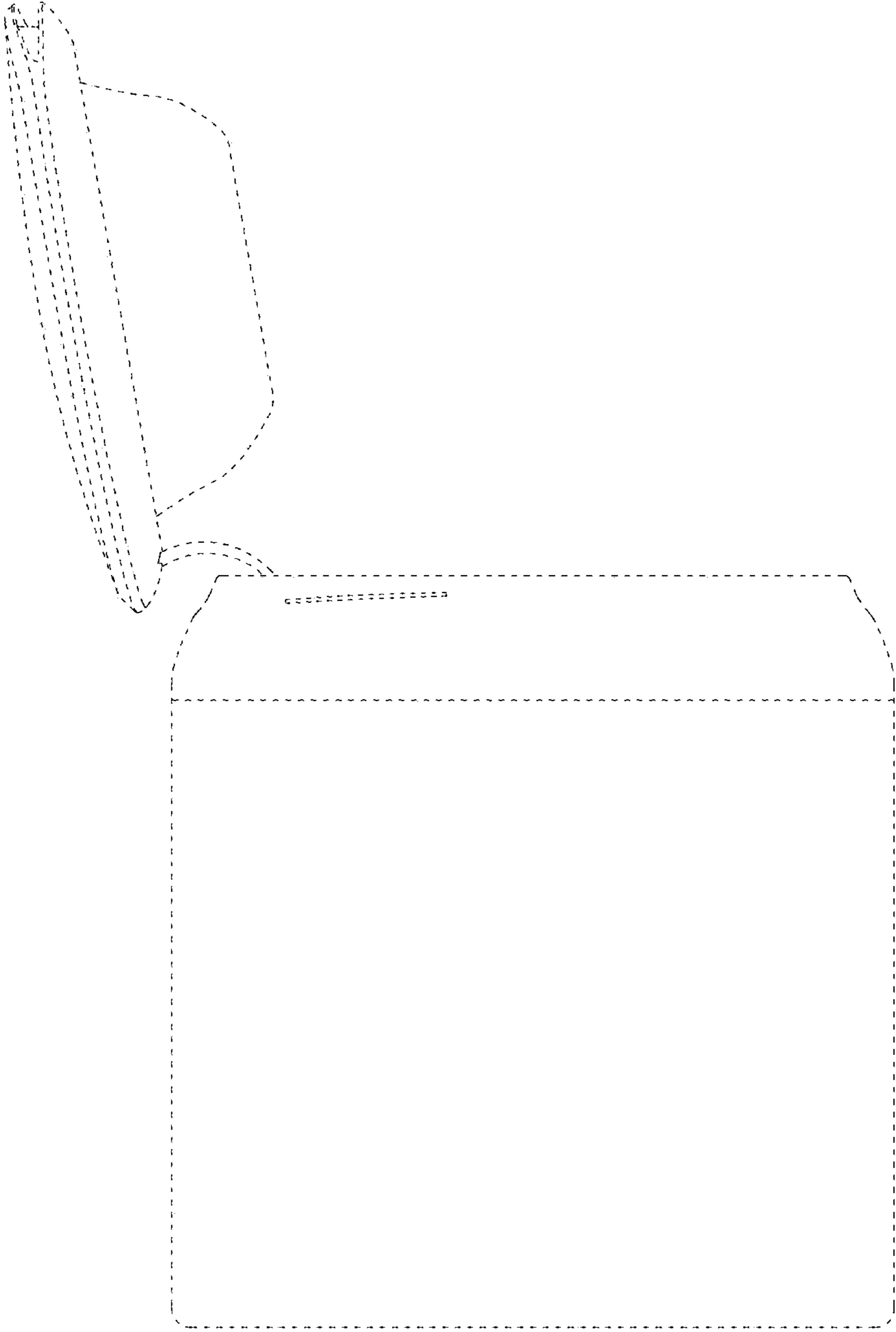


FIG. 8

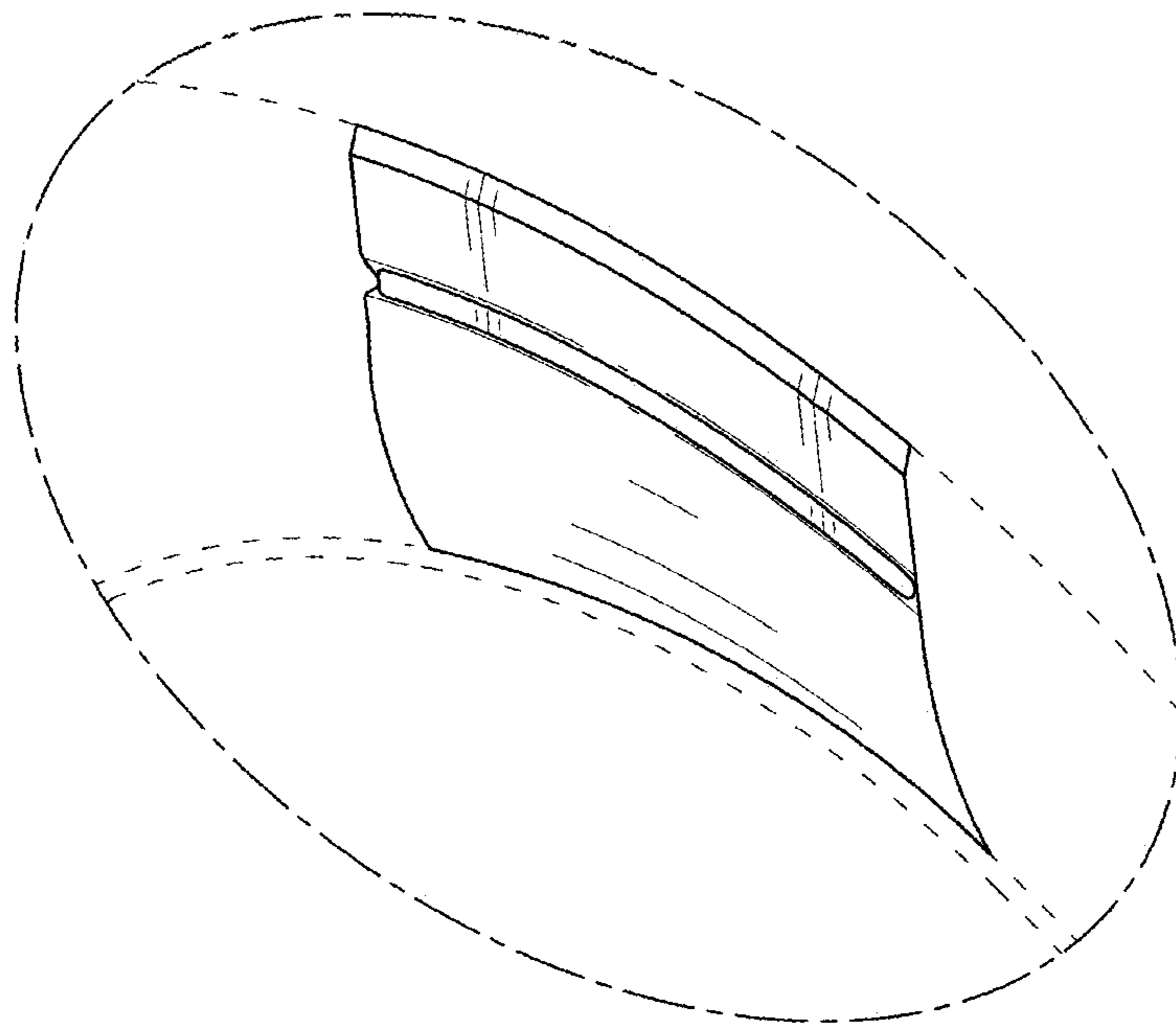


FIG. 9

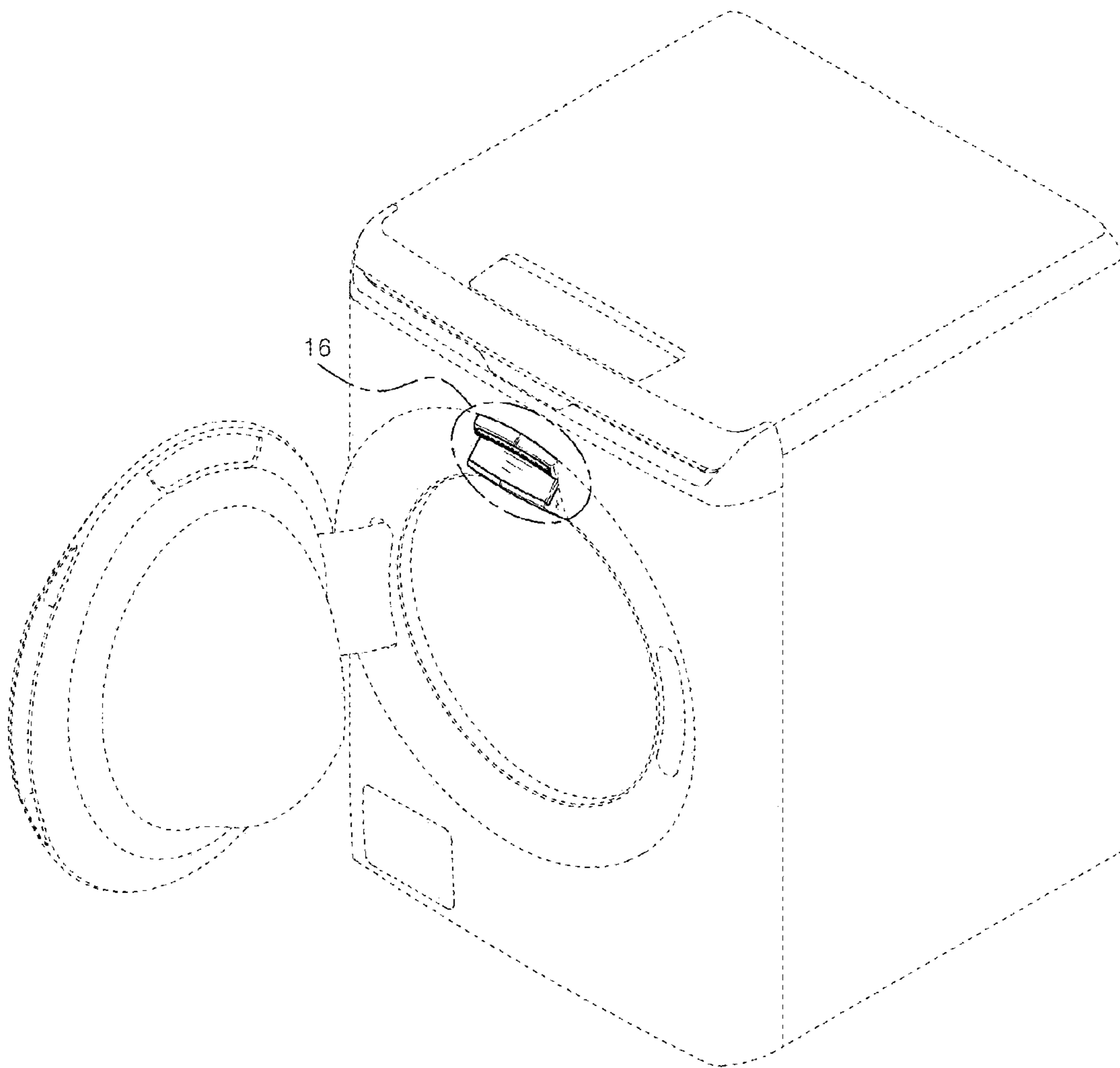


FIG. 10

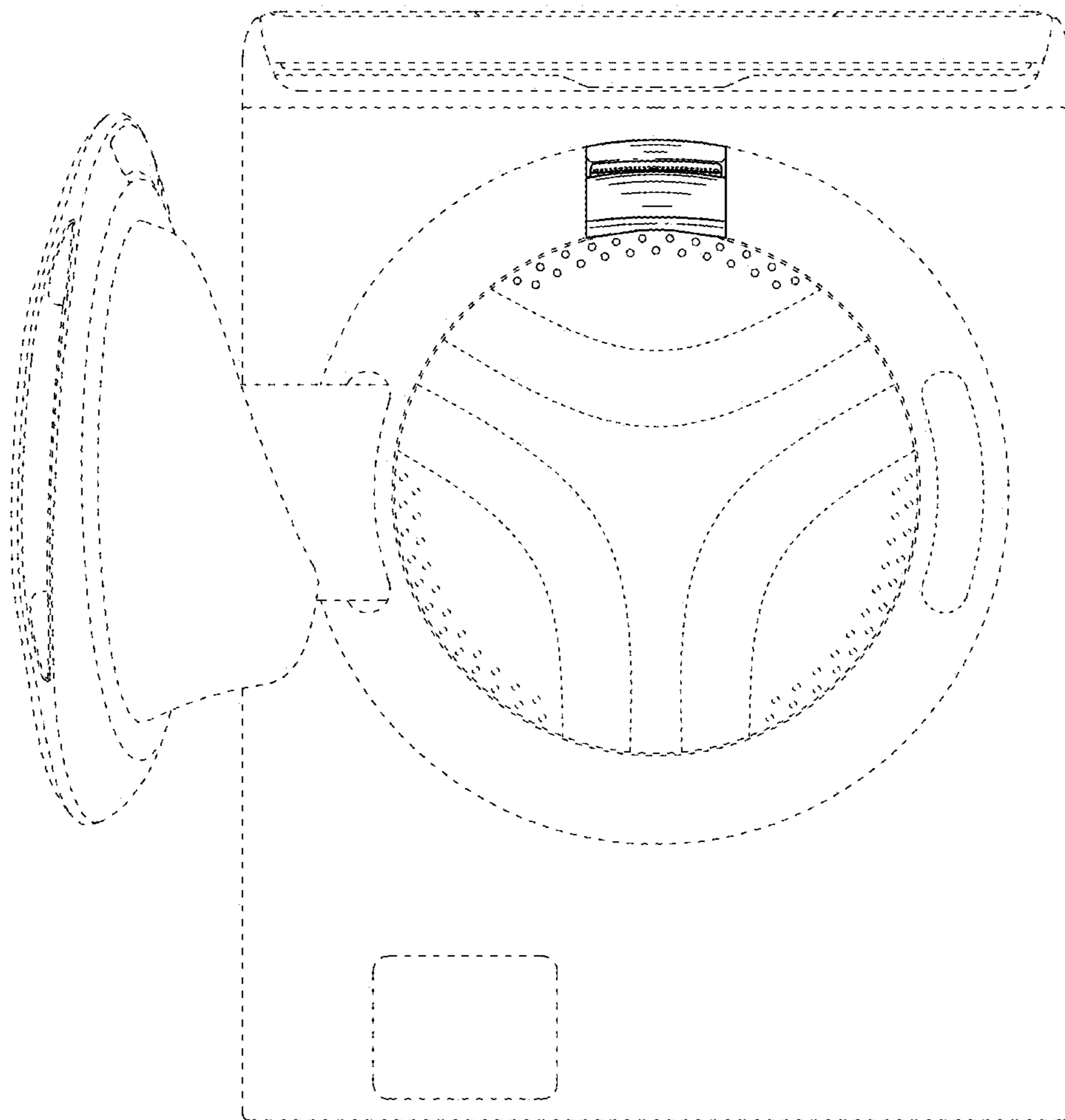


FIG. 11

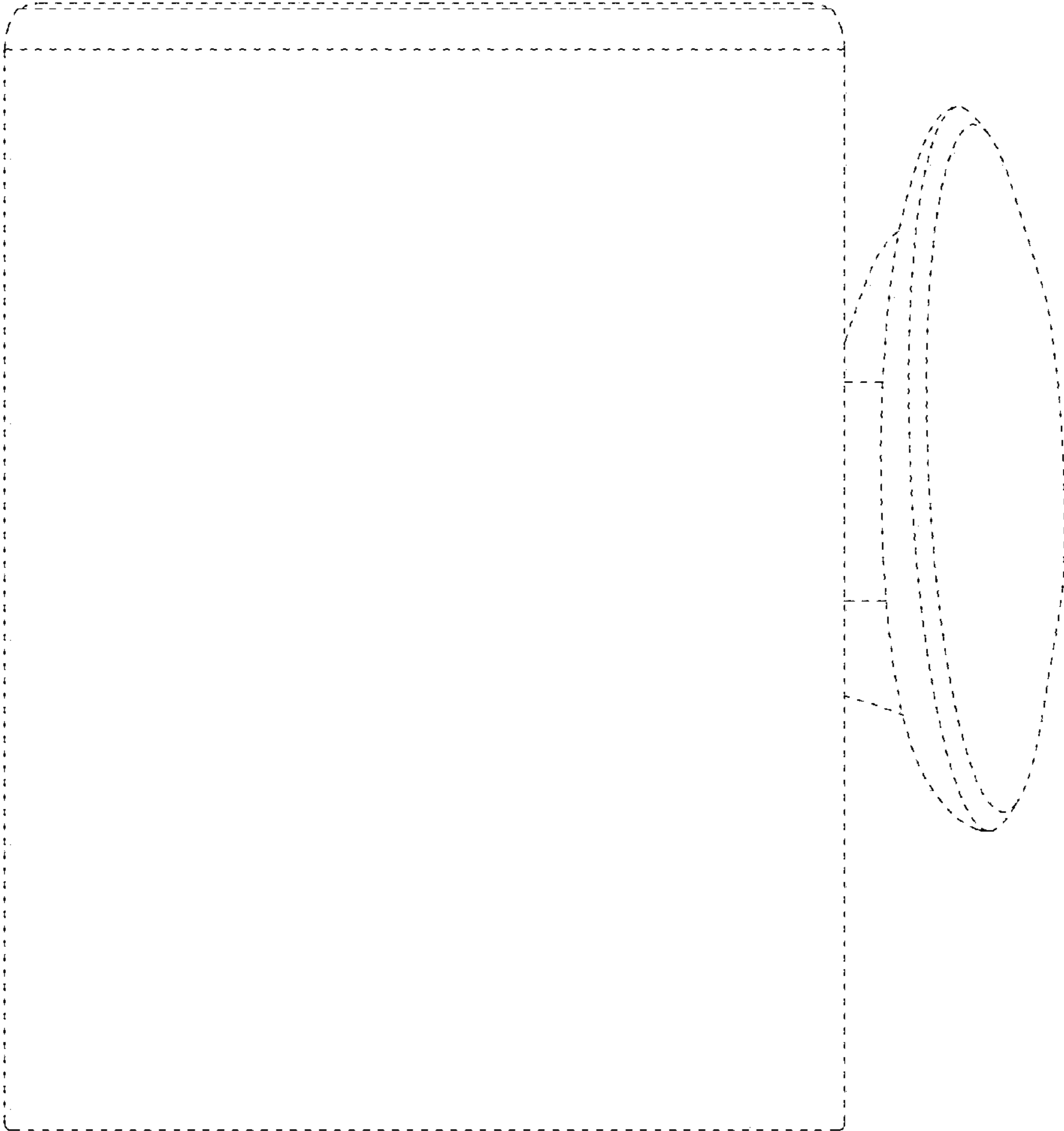


FIG. 12

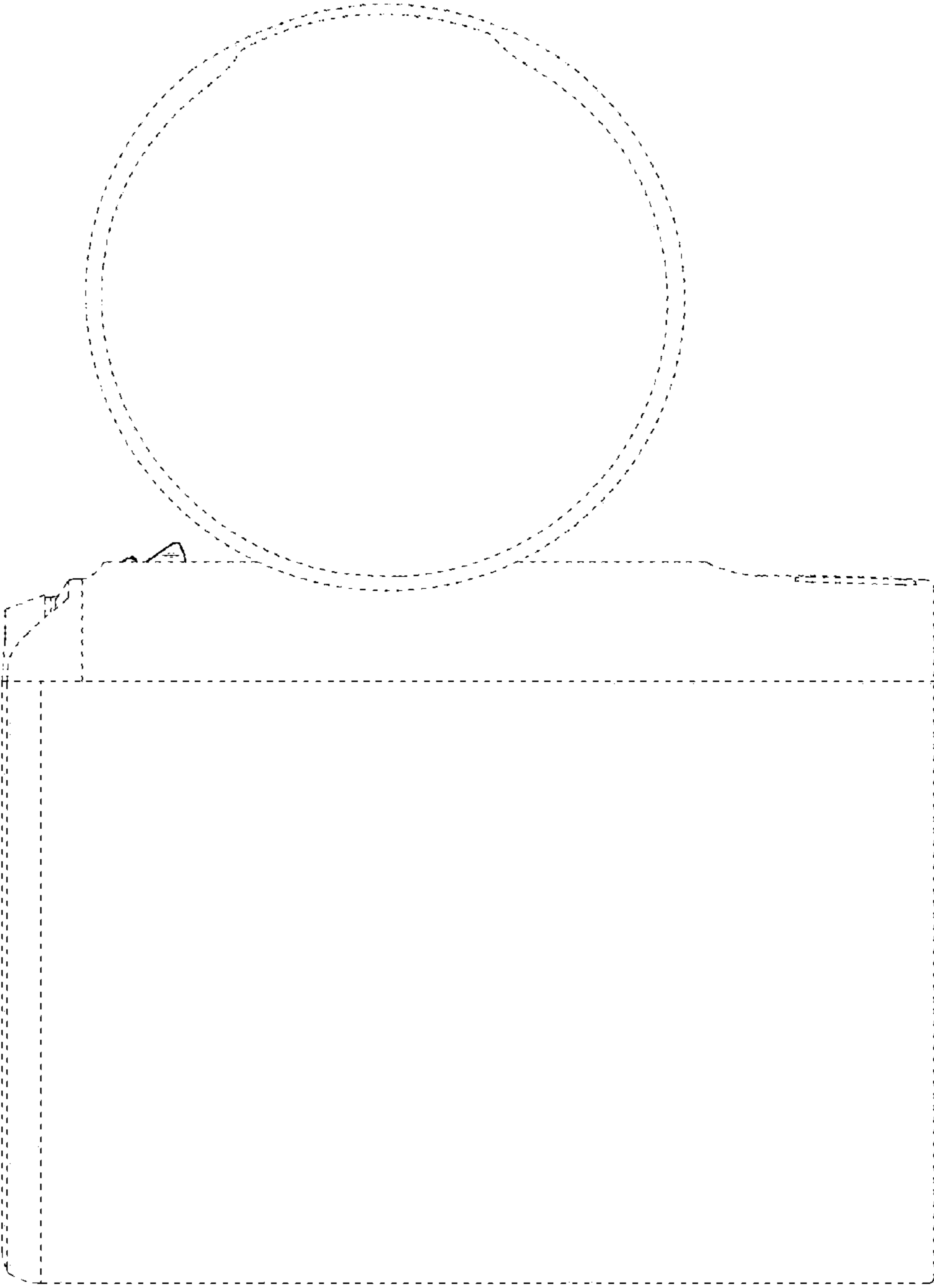


FIG. 13

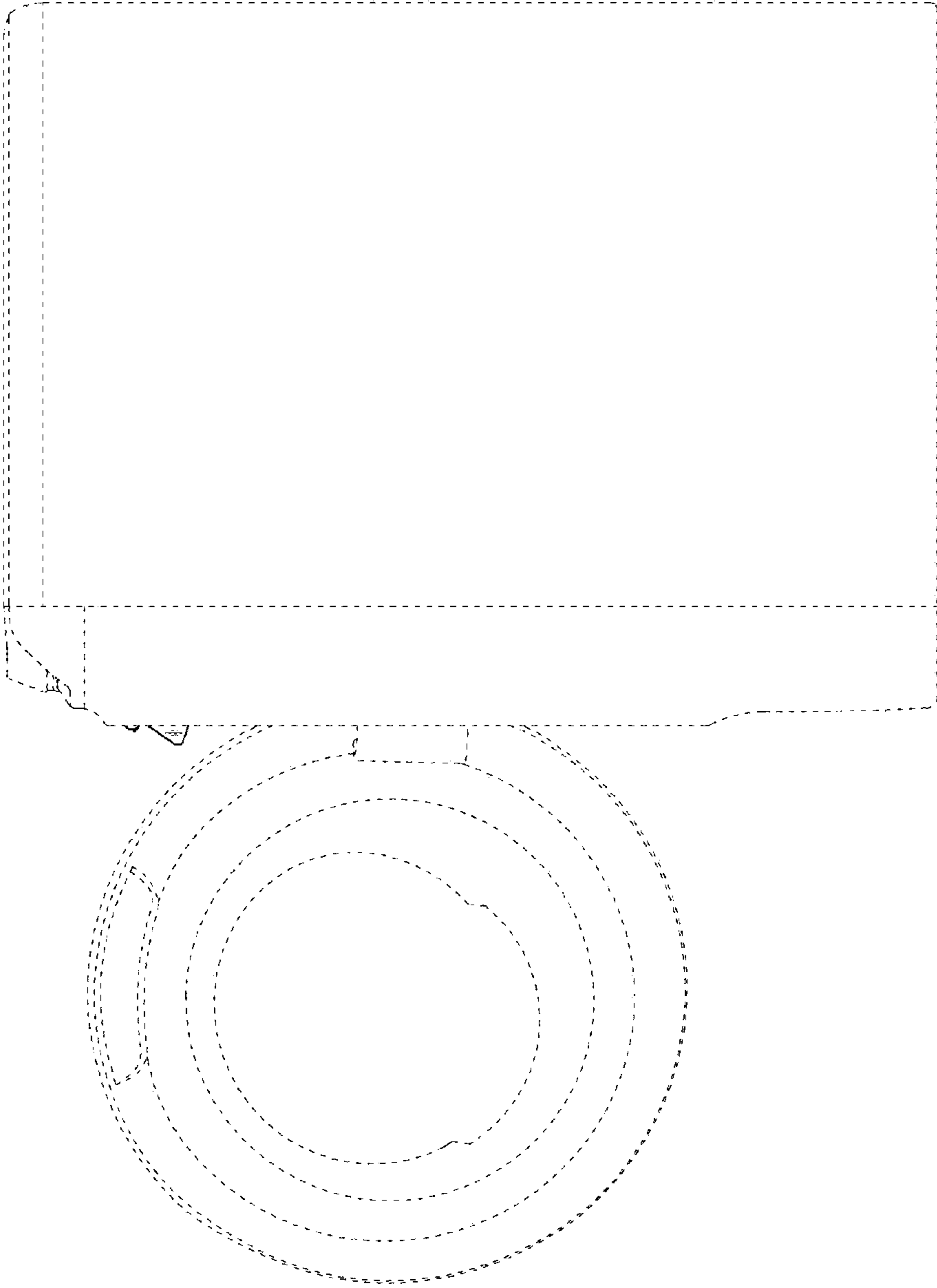


FIG. 14

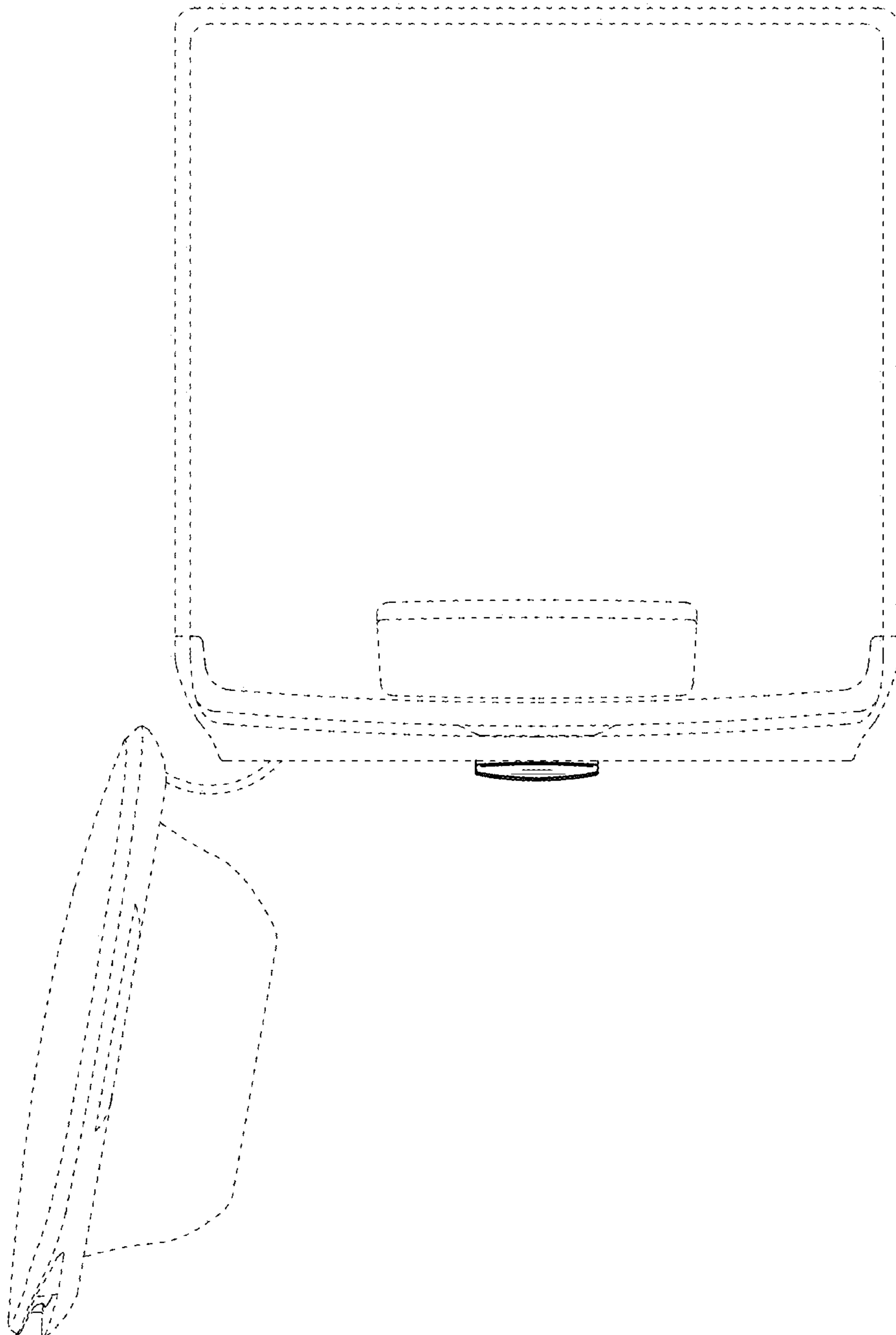




FIG. 15

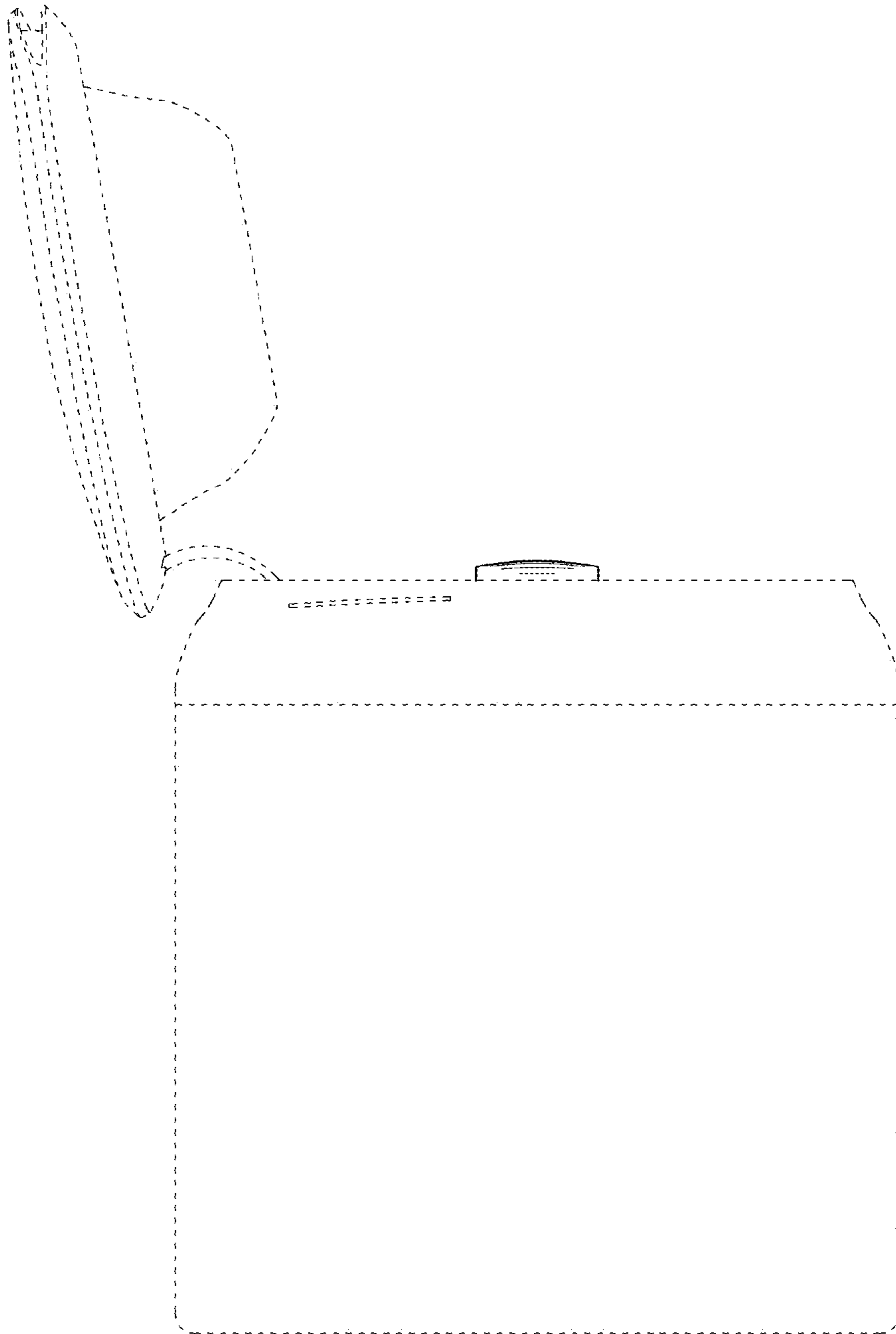


FIG. 16

