



US00D773759S

(12) **United States Design Patent**
Yun et al.

(10) **Patent No.:** **US D773,759 S**
(45) **Date of Patent:** **** Dec. 6, 2016**

(54) **DOOR FOR WASHING MACHINE**

(71) Applicant: **Samsung Electronics Co., Ltd.**,
Suwon-si (KR)

(72) Inventors: **Deoksang Yun**, Uiwang-si (KR);
Sanghun Yoon, Seoul (KR); **Jaewon Choi**, Seoul (KR); **Junghoon Hwang**,
Yongin-si (KR); **Seyoun Park**, Seoul (KR)

(73) Assignee: **Samsung Electronics Co., Ltd.**,
Suwon-si (KR)

(**) Term: **15 Years**

(21) Appl. No.: **29/534,389**

(22) Filed: **Jul. 28, 2015**

(30) **Foreign Application Priority Data**

Apr. 29, 2015 (KR) 30-2015-0022239

(51) **LOC (10) Cl.** **15-05**

(52) **U.S. Cl.**
USPC **D32/25**

(58) **Field of Classification Search**
USPC D32/1, 5, 6, 8, 12, 25, 28, 29
CPC D06F 33/02; D06F 39/02; D06F 2204/065;
D06F 25/00; D06F 35/006; D06F 58/00;
D06F 58/02; D06F 58/04; D06F
58/20; D06F 23/04; G05B 19/042
See application file for complete search history.

(56) **References Cited**

U.S. PATENT DOCUMENTS

D457,991 S * 5/2002 Baldwin D32/6
D519,247 S * 4/2006 Kim D32/6
D520,686 S * 5/2006 Jeon D32/6

D577,162 S * 9/2008 Shail D32/6
D589,661 S * 3/2009 Oh D32/6
D595,908 S * 7/2009 Park D32/6
D616,162 S * 5/2010 Park D32/6
D618,864 S * 6/2010 Jeon D32/6
D628,755 S * 12/2010 Helot D32/5
D653,006 S * 1/2012 Takahashi D32/6
D653,822 S * 2/2012 Geyer D32/6
D659,307 S * 5/2012 Geyer D32/6
D665,543 S * 8/2012 Kim D32/6

(Continued)

Primary Examiner — T. Chase Nelson

Assistant Examiner — Michelle E Wilson

(74) *Attorney, Agent, or Firm* — NSIP Law

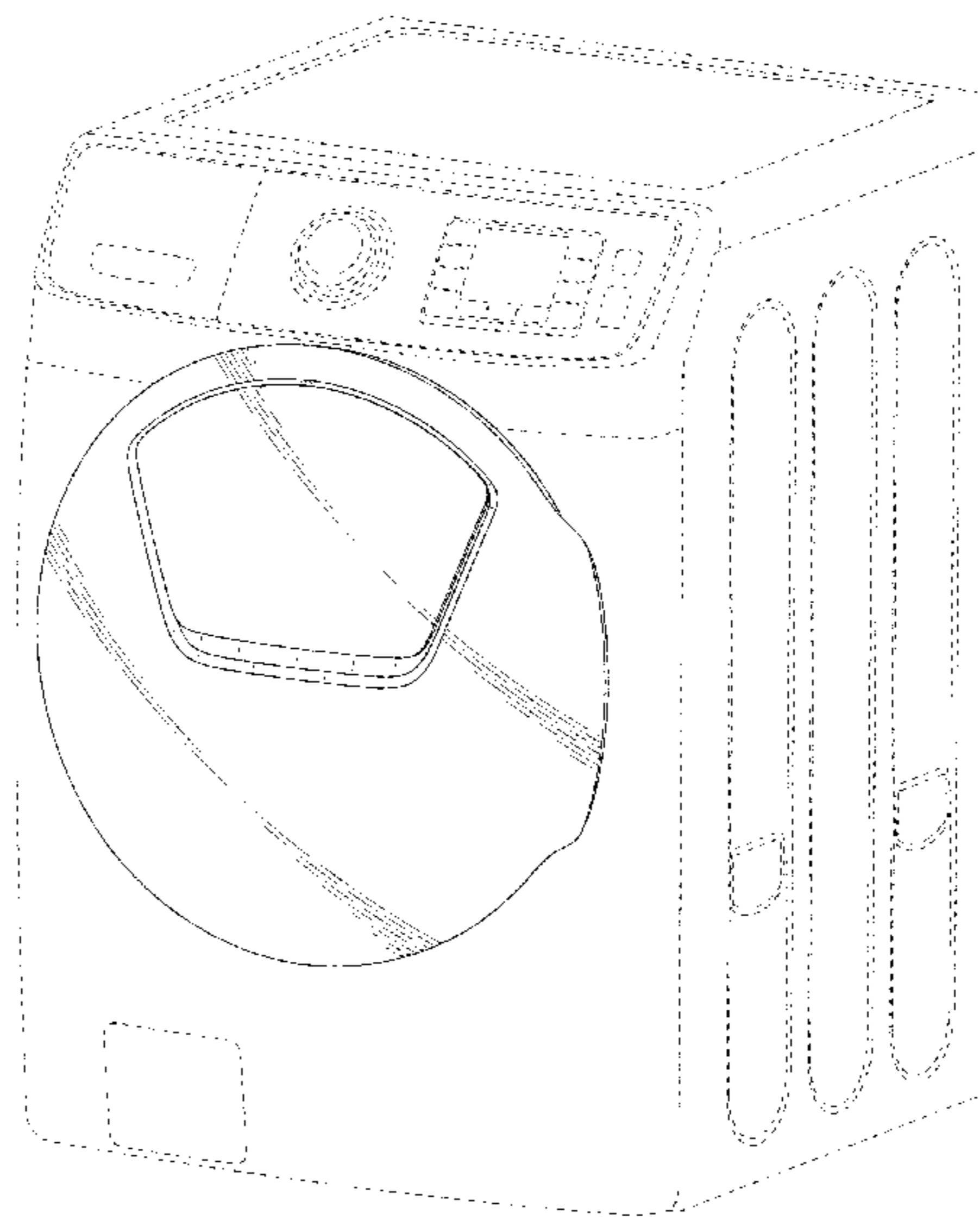
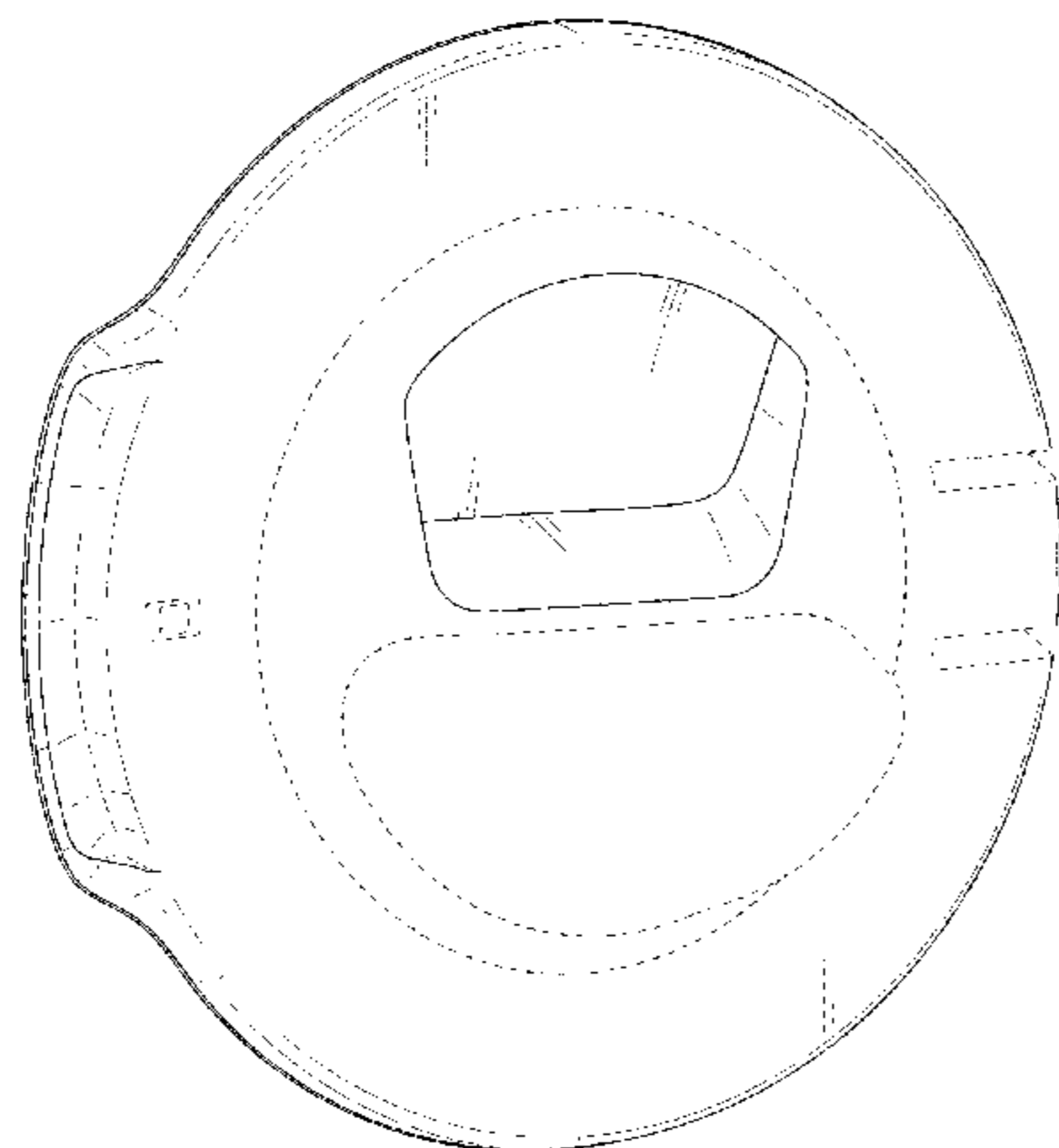
(57) **CLAIM**

We claim the ornamental design for a door for washing machine, as shown and described.

DESCRIPTION

FIG. 1 is a front perspective view of a door for washing machine showing our new design;
FIG. 2 is a front view thereof;
FIG. 3 is a rear view thereof;
FIG. 4 is a left-side view thereof;
FIG. 5 is a right-side view thereof;
FIG. 6 is a top view thereof;
FIG. 7 is a bottom view thereof;
FIG. 8 is a rear perspective view thereof; and,
FIG. 9 is a front perspective view of the door for washing machine in which a washing machine in broken lines is provided to illustrate an example environment.
The short dash-dash broken lines in the figures showing of unclaimed portions of the door for washing machine form no part of the claimed design. The short dash-dash broken lines showing of the washing machine in FIG. 9 are for illustrating environmental structure and form no part of the claimed design.

1 Claim, 9 Drawing Sheets



(56)

References Cited

U.S. PATENT DOCUMENTS

D675,793	S	*	2/2013	Geyer	D32/6
D688,013	S	*	8/2013	Kim	D32/6
D688,427	S	*	8/2013	Meda	D32/6
D688,429	S	*	8/2013	Meda	D32/25
D688,430	S	*	8/2013	Meda	D32/25
D692,194	S	*	10/2013	Meda	D32/6
D694,966	S	*	12/2013	Borjesson	D32/6
D695,472	S	*	12/2013	Borjesson	D32/6
D696,478	S	*	12/2013	Geyer	D32/6
D697,678	S	*	1/2014	Jeon	D32/6
D701,009	S	*	3/2014	Jinnam	D32/6
D703,883	S	*	4/2014	Ha	D32/6
D703,884	S	*	4/2014	Ha	D32/6
D703,885	S	*	4/2014	Ha	D32/6
D706,999	S	*	6/2014	Cho	D32/6
D714,499	S	*	9/2014	Sin	D32/6
D714,502	S	*	9/2014	Jeon	D32/25
8,844,328	B2	*	9/2014	Loss	D06F 37/28
						312/326
D730,602	S	*	5/2015	Choi	D32/25
D731,126	S	*	6/2015	Ha	D32/6
D731,127	S	*	6/2015	Ha	D32/6
D731,128	S	*	6/2015	Ha	D32/6
D731,129	S	*	6/2015	Ha	D32/6
D731,131	S	*	6/2015	Ha	D32/25
D731,718	S	*	6/2015	Borjesson	D32/6
D731,719	S	*	6/2015	Borjesson	D32/6
D732,250	S	*	6/2015	Borjesson	D32/6
D732,767	S	*	6/2015	Ha	D32/25

* cited by examiner

FIG. 1

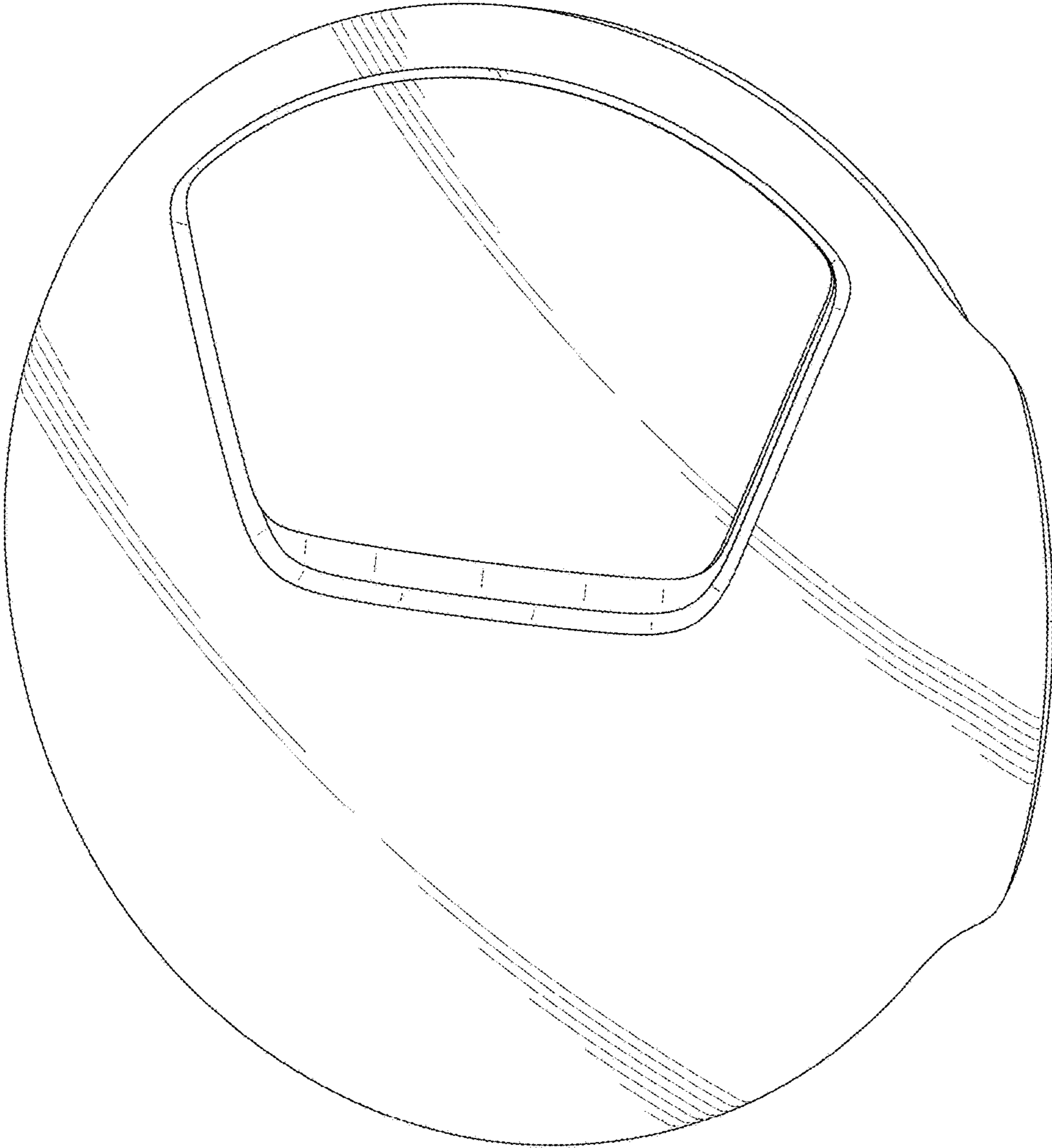


FIG. 2

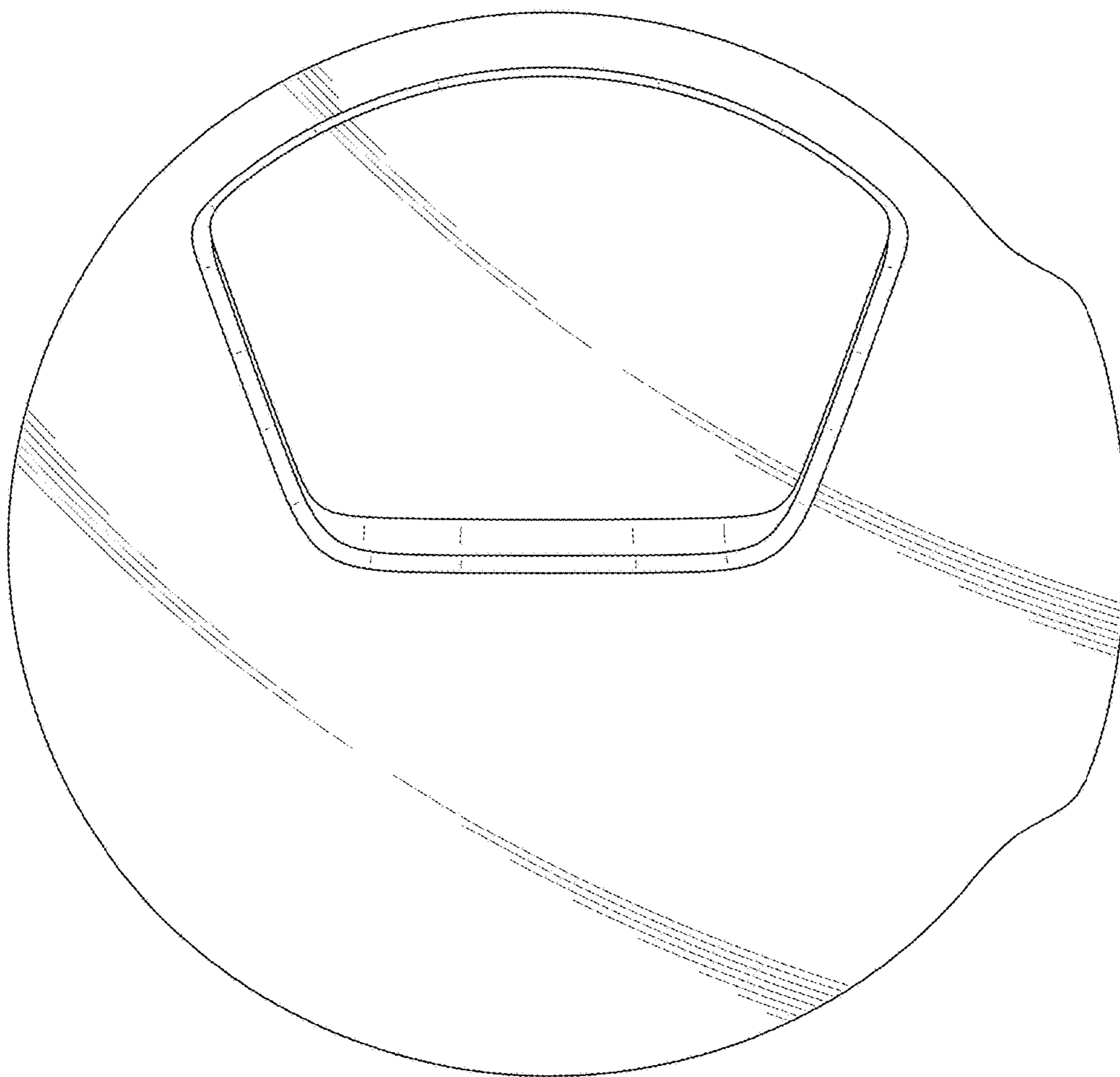


FIG. 3

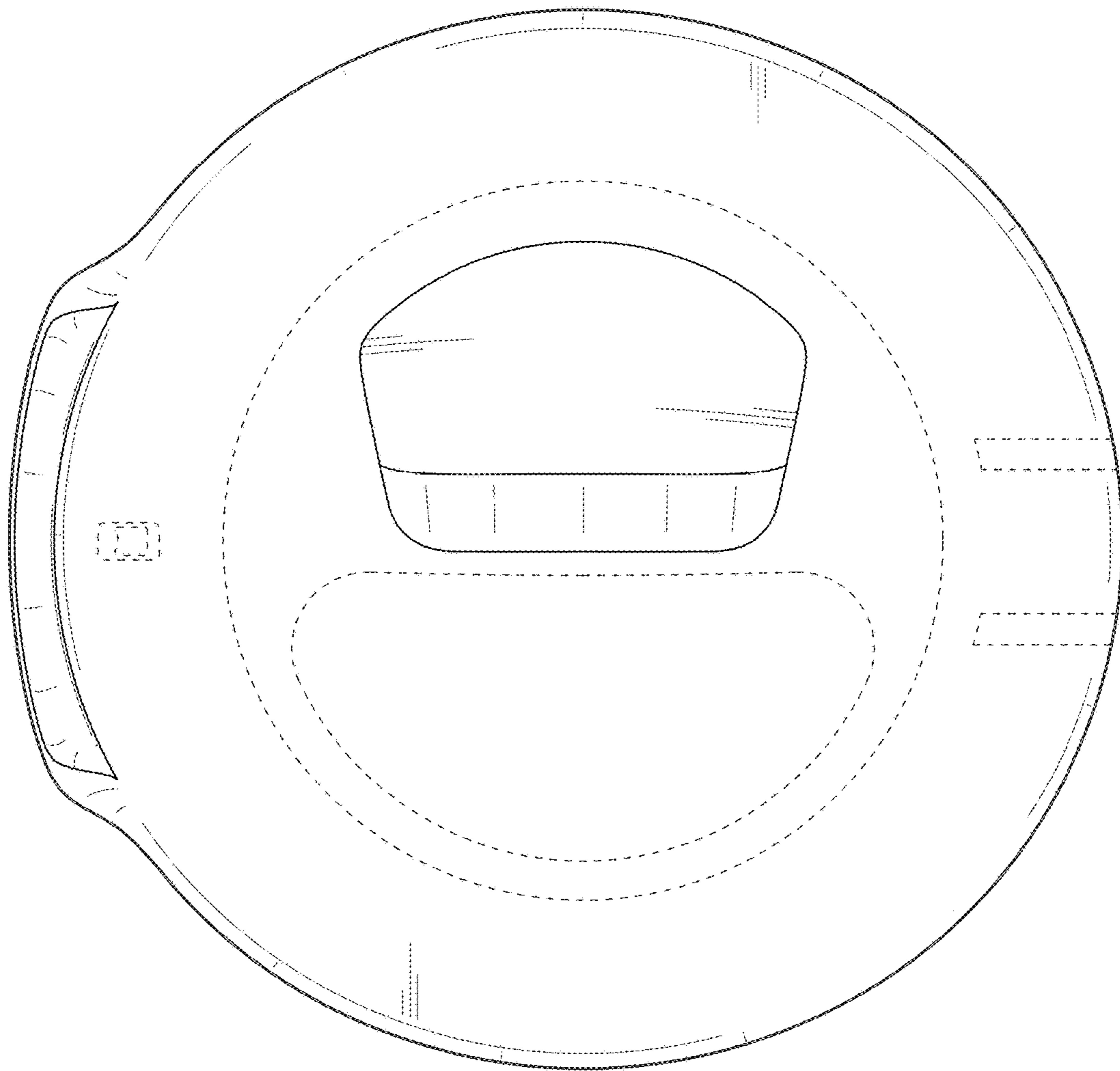


FIG. 4

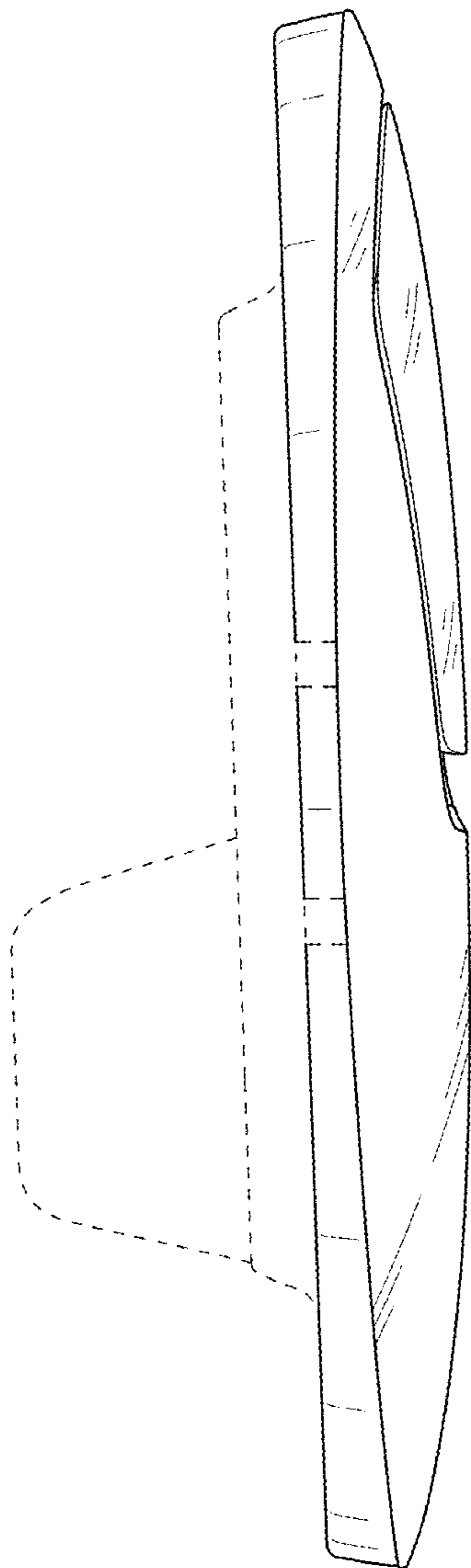


FIG. 5

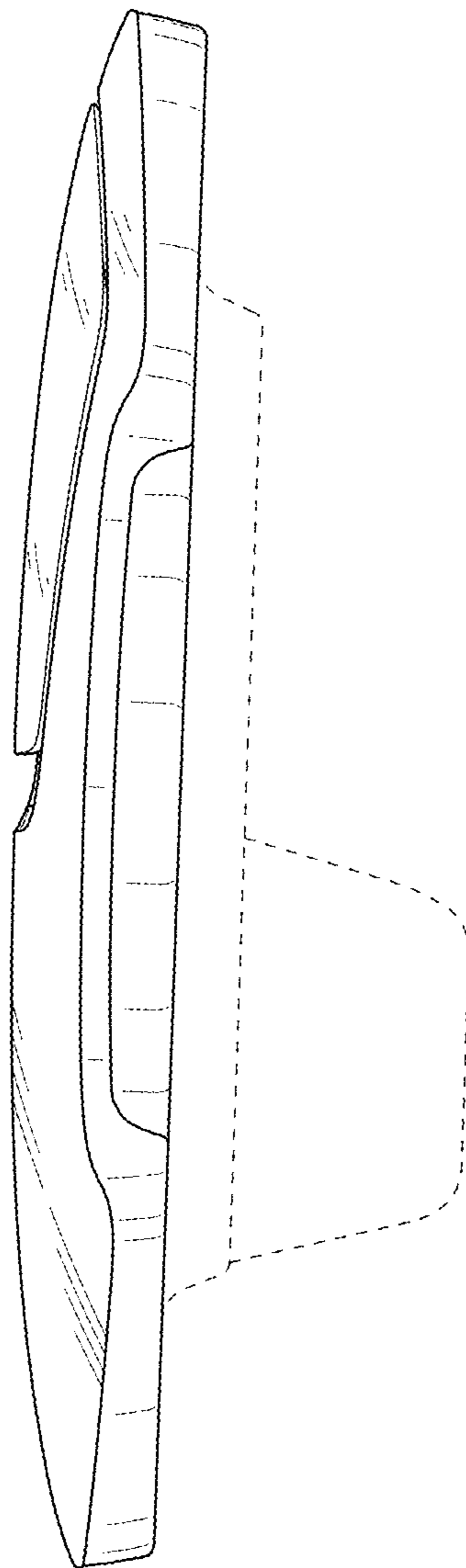


FIG. 6

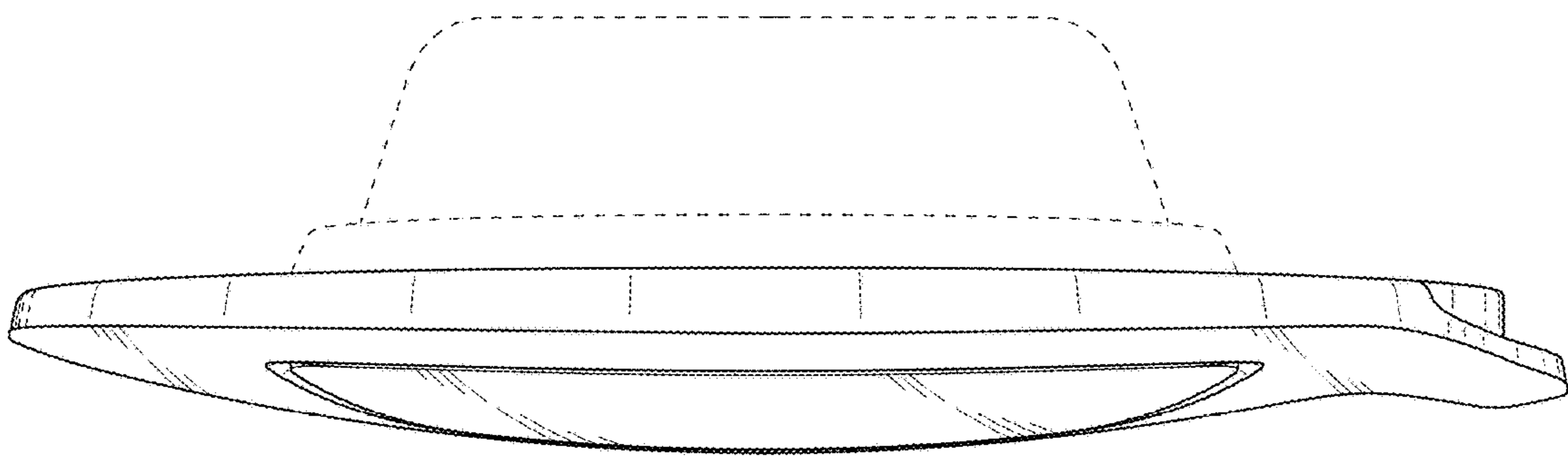


FIG. 7

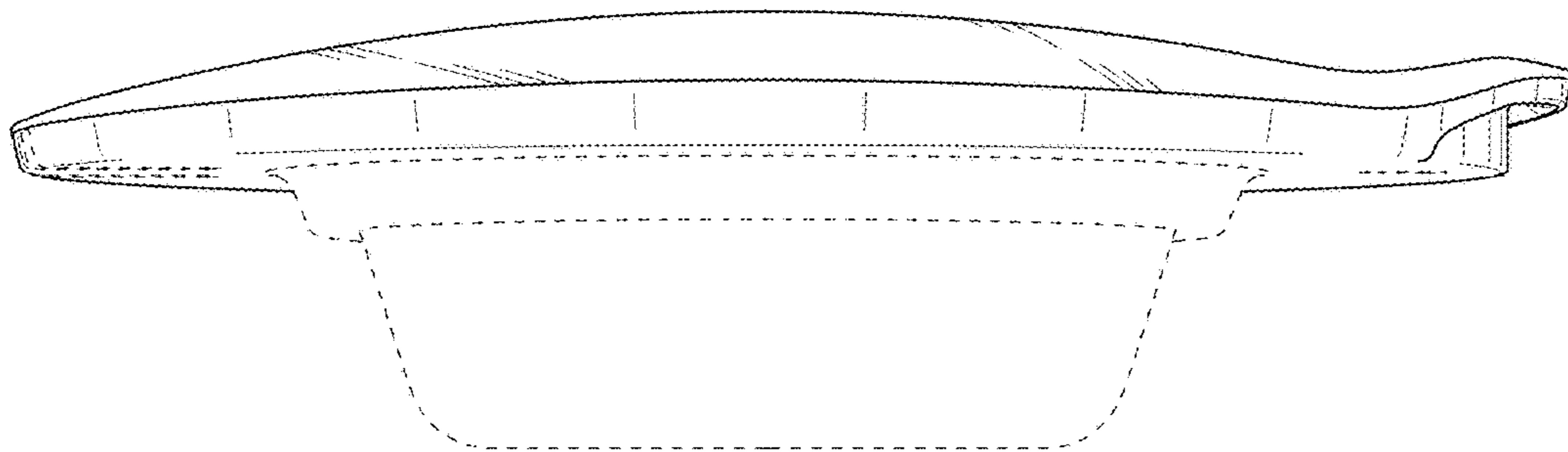


FIG. 8

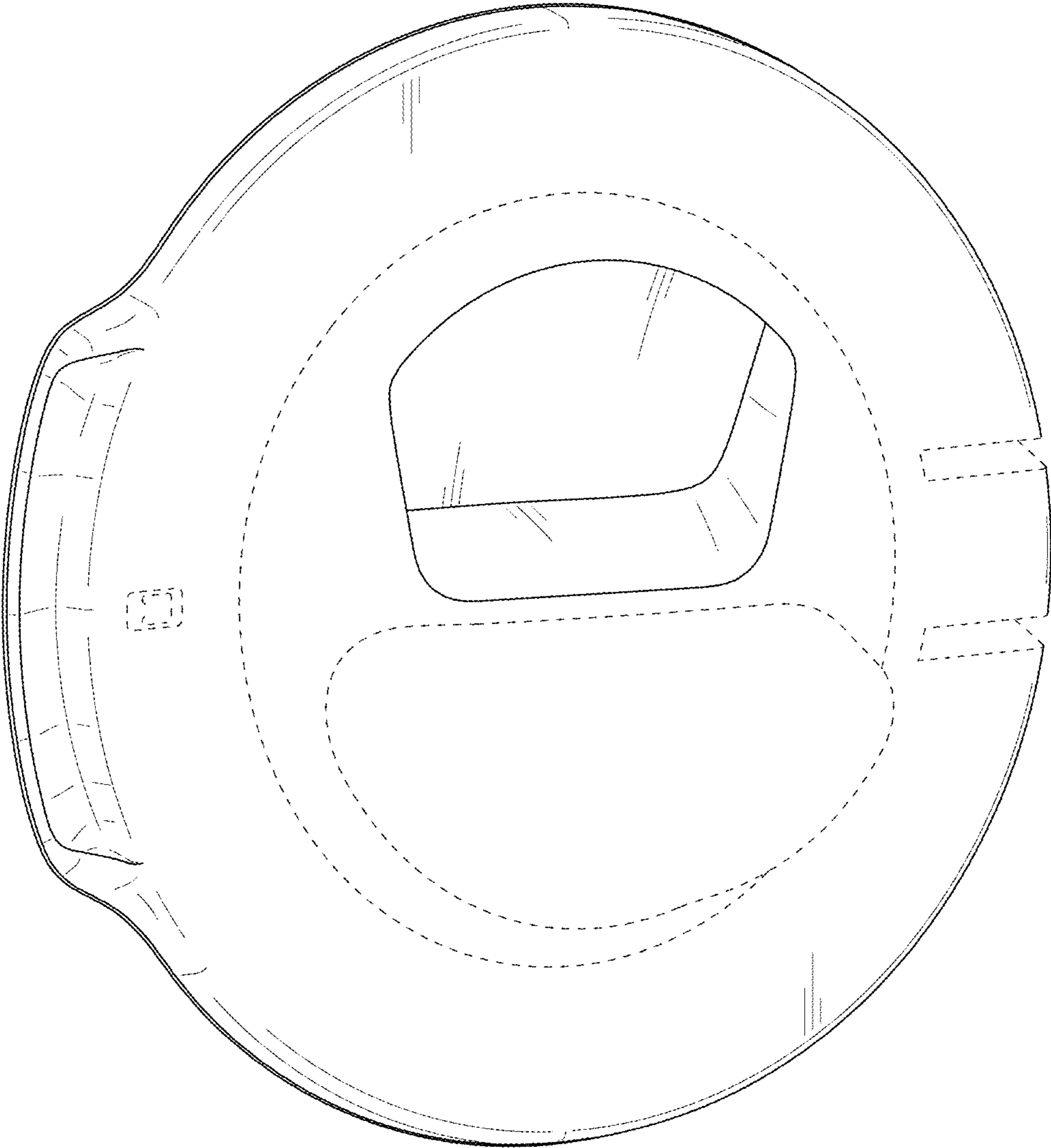


FIG. 9

