



US00D773753S

(12) **United States Design Patent**  
**Kim et al.**

(10) **Patent No.:** **US D773,753 S**

(45) **Date of Patent:** **\*\* Dec. 6, 2016**

(54) **WASHING MACHINE**

(71) Applicant: **Samsung Electronics Co., Ltd.**,  
Suwon-si (KR)

(72) Inventors: **Kangdo Kim**, Seoul (KR); **Yeonsu Kim**, Seoul (KR); **Jungeun Park**, Seoul (KR); **Kisang Yoon**, Daejeon (KR)

(73) Assignee: **Samsung Electronics Co., Ltd.**,  
Suwon-si (KR)

(\*\*) Term: **15 Years**

(21) Appl. No.: **29/534,610**

(22) Filed: **Jul. 30, 2015**

(30) **Foreign Application Priority Data**

Apr. 29, 2015 (KR) ..... 30-2015-0022212

(51) **LOC (10) Cl.** ..... **15-05**

(52) **U.S. Cl.**  
USPC ..... **D32/6**

(58) **Field of Classification Search**  
USPC ..... D32/1, 5, 6, 8, 12, 25, 28, 29  
CPC .... D06F 33/02; D06F 39/02; D06F 2204/065;  
D06F 25/00; D06F 35/006; D06F 58/00;  
D06F 58/02; D06F 58/04; D06F  
58/20; D06F 23/04; G05B 19/042  
See application file for complete search history.

(56) **References Cited**

**U.S. PATENT DOCUMENTS**

5,687,590 A \* 11/1997 Borrioni ..... D06F 39/028  
68/17 R  
D495,775 S \* 9/2004 Sagawa ..... D32/5  
D618,864 S \* 6/2010 Jeon ..... D32/6

D625,476 S \* 10/2010 Lee ..... D32/6  
D625,889 S \* 10/2010 Lee ..... D32/6  
D627,115 S \* 11/2010 Jeon ..... D32/6  
D631,623 S \* 1/2011 Chung ..... D32/6  
D631,624 S \* 1/2011 Chung ..... D32/6  
D634,492 S \* 3/2011 Chung ..... D32/6  
D635,313 S \* 3/2011 Jeon ..... D32/6  
D636,953 S \* 4/2011 Lee ..... D32/6  
D659,307 S \* 5/2012 Geyer ..... D32/6  
D665,543 S \* 8/2012 Kim ..... D32/6  
D675,793 S \* 2/2013 Geyer ..... D32/6  
D688,013 S \* 8/2013 Kim ..... D32/6  
8,516,860 B2 \* 8/2013 Persson ..... 68/19  
D690,061 S \* 9/2013 Kim ..... D32/6  
D693,973 S \* 11/2013 Geyer ..... D32/6  
D694,966 S \* 12/2013 Borjesson ..... D32/6  
D697,678 S \* 1/2014 Jeon ..... D32/6  
D700,409 S \* 2/2014 Takahashi ..... D32/25  
8,713,976 B2 \* 5/2014 Hoppe ..... 68/12.04  
D706,999 S \* 6/2014 Cho ..... D32/6

(Continued)

*Primary Examiner* — T. Chase Nelson

*Assistant Examiner* — Michelle E Wilson

(74) *Attorney, Agent, or Firm* — NSIP Law

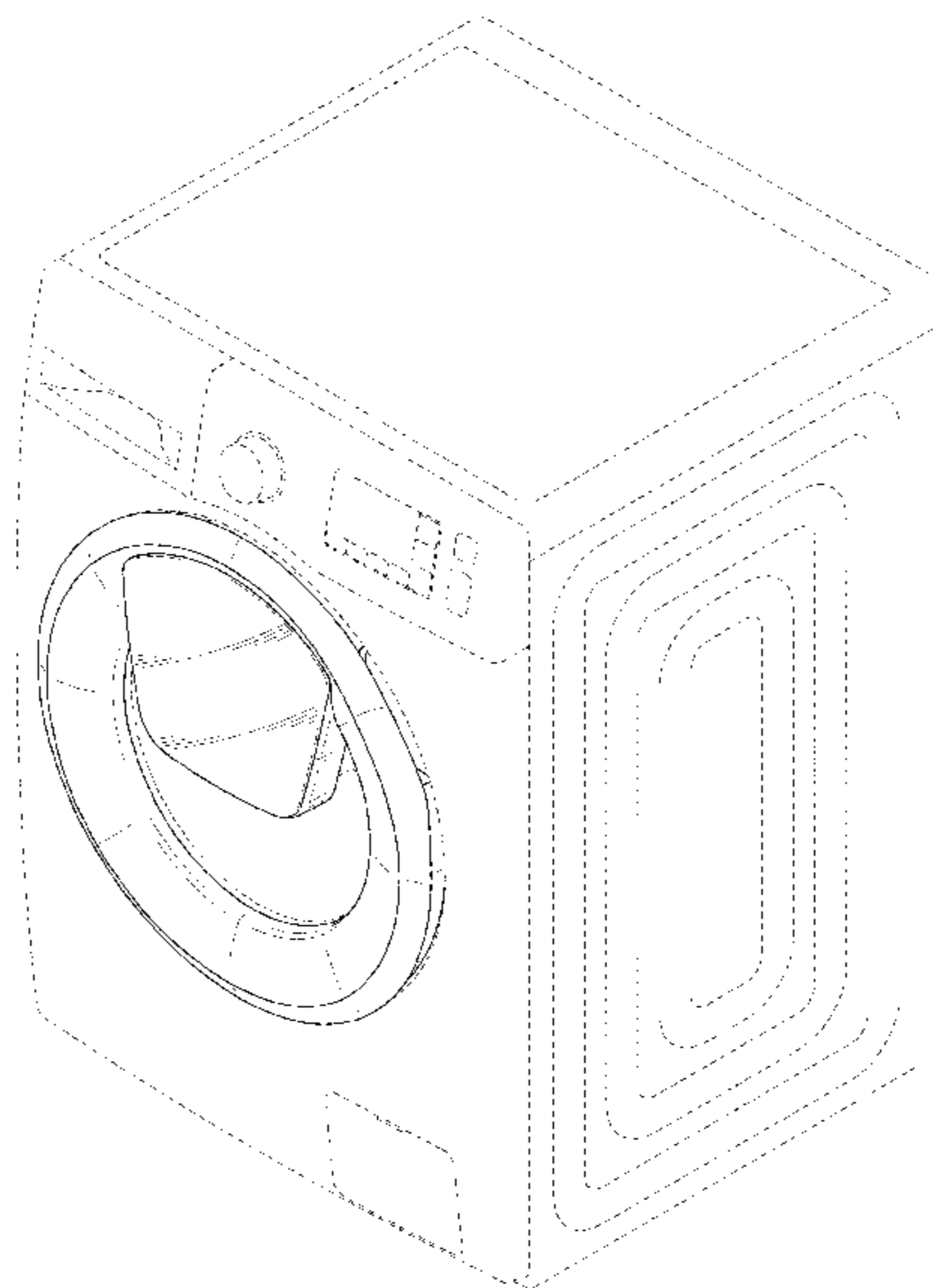
(57) **CLAIM**

We claim the ornamental design for a washing machine, as shown and described.

**DESCRIPTION**

FIG. 1 is a front perspective view of a washing machine showing our new design;  
FIG. 2 is a front view thereof;  
FIG. 3 is a rear view thereof;  
FIG. 4 is a left-side view thereof;  
FIG. 5 is a right-side view thereof;  
FIG. 6 is a top view thereof; and,  
FIG. 7 is a bottom view thereof.  
The broken lines in the figures show portions of the washing machine which form no part of the claimed design.

**1 Claim, 7 Drawing Sheets**



(56)

**References Cited**

## U.S. PATENT DOCUMENTS

D708,799	S	*	7/2014	Choi	.....	D32/6
D708,800	S	*	7/2014	Choi	.....	D32/6
D714,502	S	*	9/2014	Jeon	.....	D32/25
D729,996	S	*	5/2015	Hwang	.....	D32/6
D729,997	S	*	5/2015	Hwang	.....	D32/6
D730,596	S	*	5/2015	Kim	.....	D32/6
D730,601	S	*	5/2015	Jinnam	.....	D32/25
D730,602	S	*	5/2015	Choi	.....	D32/25
D731,126	S	*	6/2015	Ha	.....	D32/6
D731,127	S	*	6/2015	Ha	.....	D32/6
D731,128	S	*	6/2015	Ha	.....	D32/6
D731,129	S	*	6/2015	Ha	.....	D32/6
D731,131	S	*	6/2015	Ha	.....	D32/25
D732,250	S	*	6/2015	Borjesson	.....	D32/6
D732,763	S	*	6/2015	Hwang	.....	D32/6
D732,767	S	*	6/2015	Ha	.....	D32/25
D732,768	S	*	6/2015	Choi	.....	D32/25
D733,371	S	*	6/2015	Chung	.....	D32/6
D747,575	S	*	1/2016	Choi	.....	D32/28
D749,804	S	*	2/2016	Ha	.....	D32/6
D749,806	S	*	2/2016	Hwang	.....	D32/25
D758,681	S	*	6/2016	Park	.....	D32/25
D758,682	S	*	6/2016	Kim	.....	D32/25

\* cited by examiner

FIG. 1

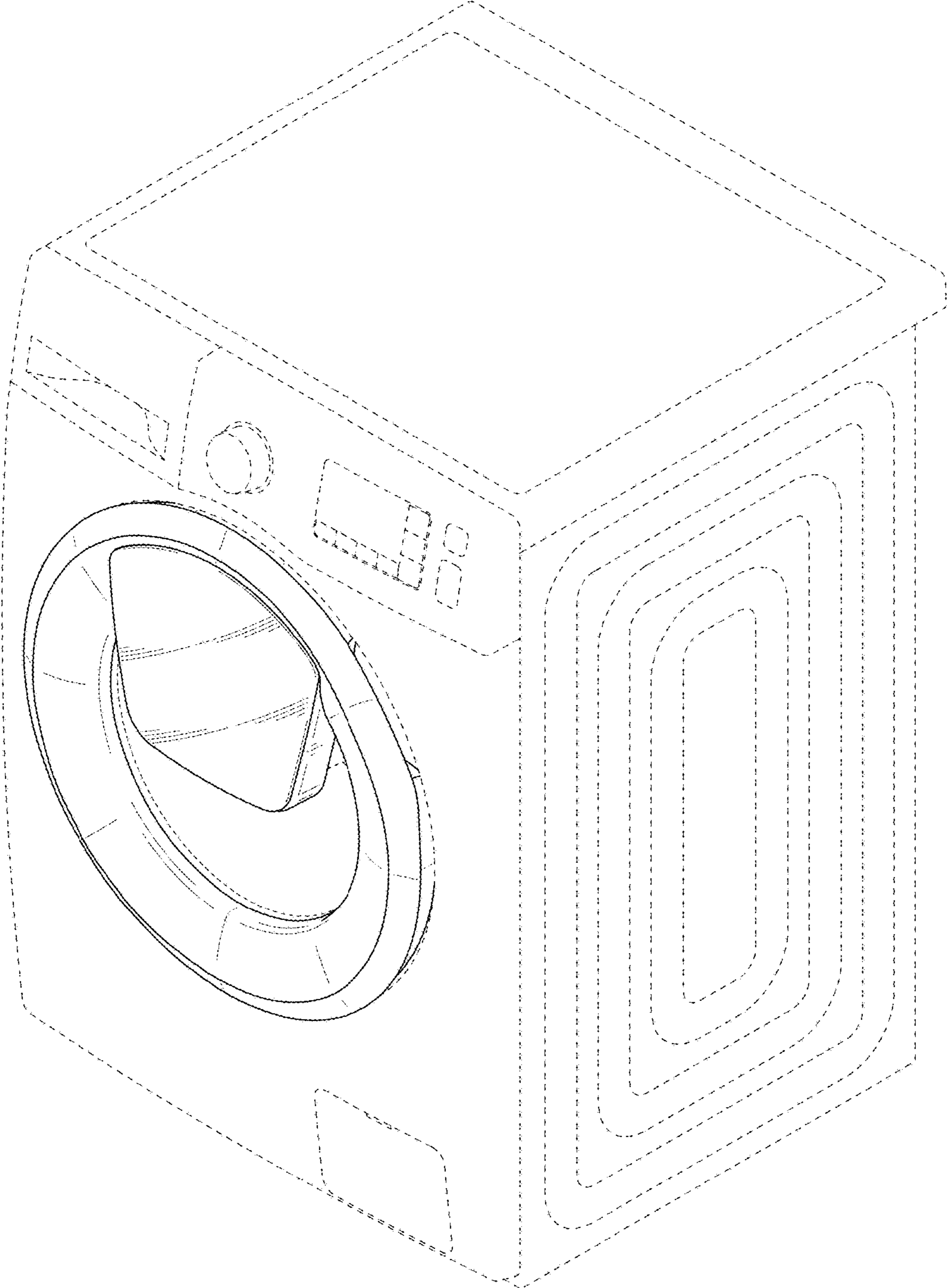


FIG. 2

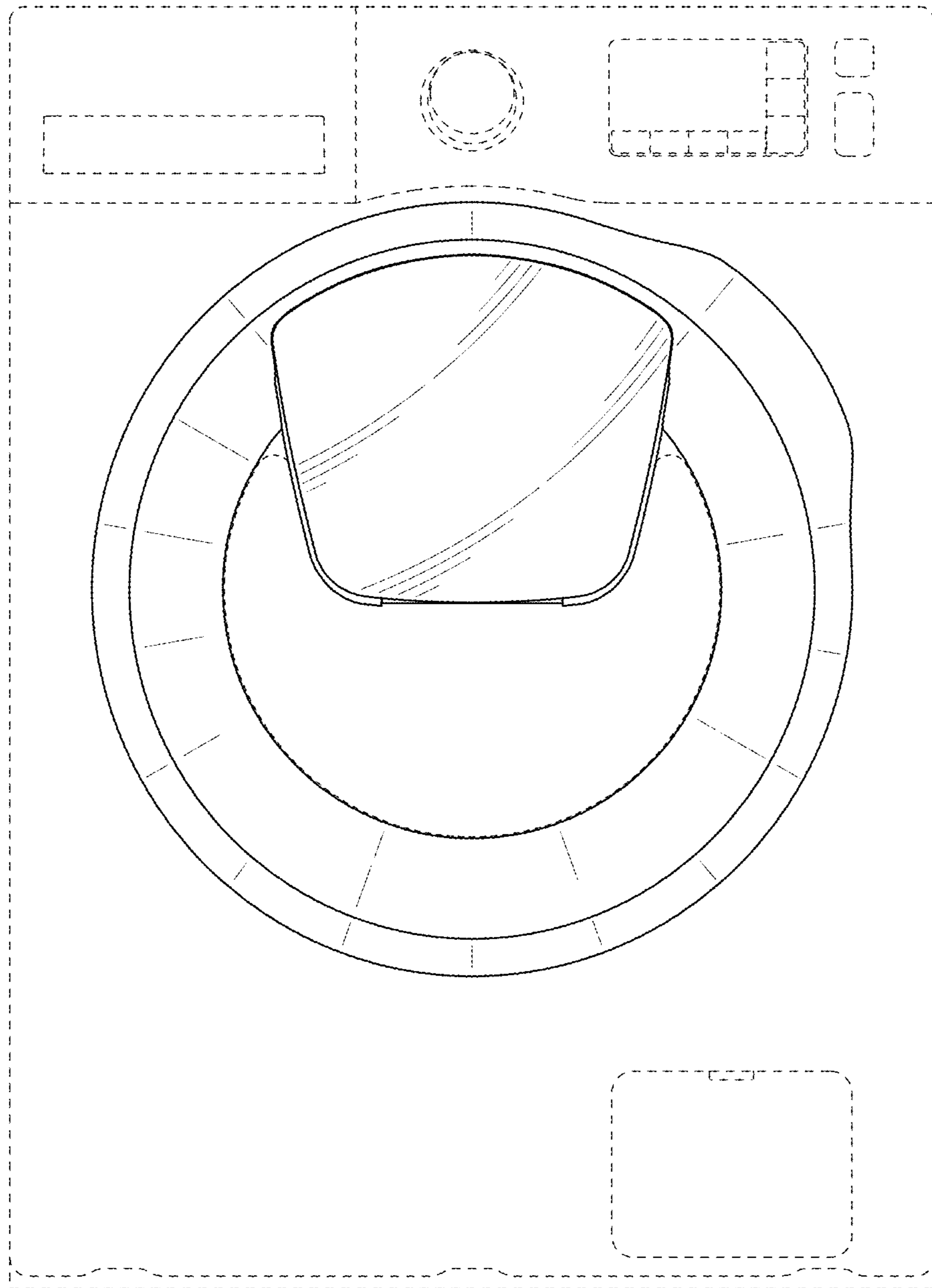


FIG. 3

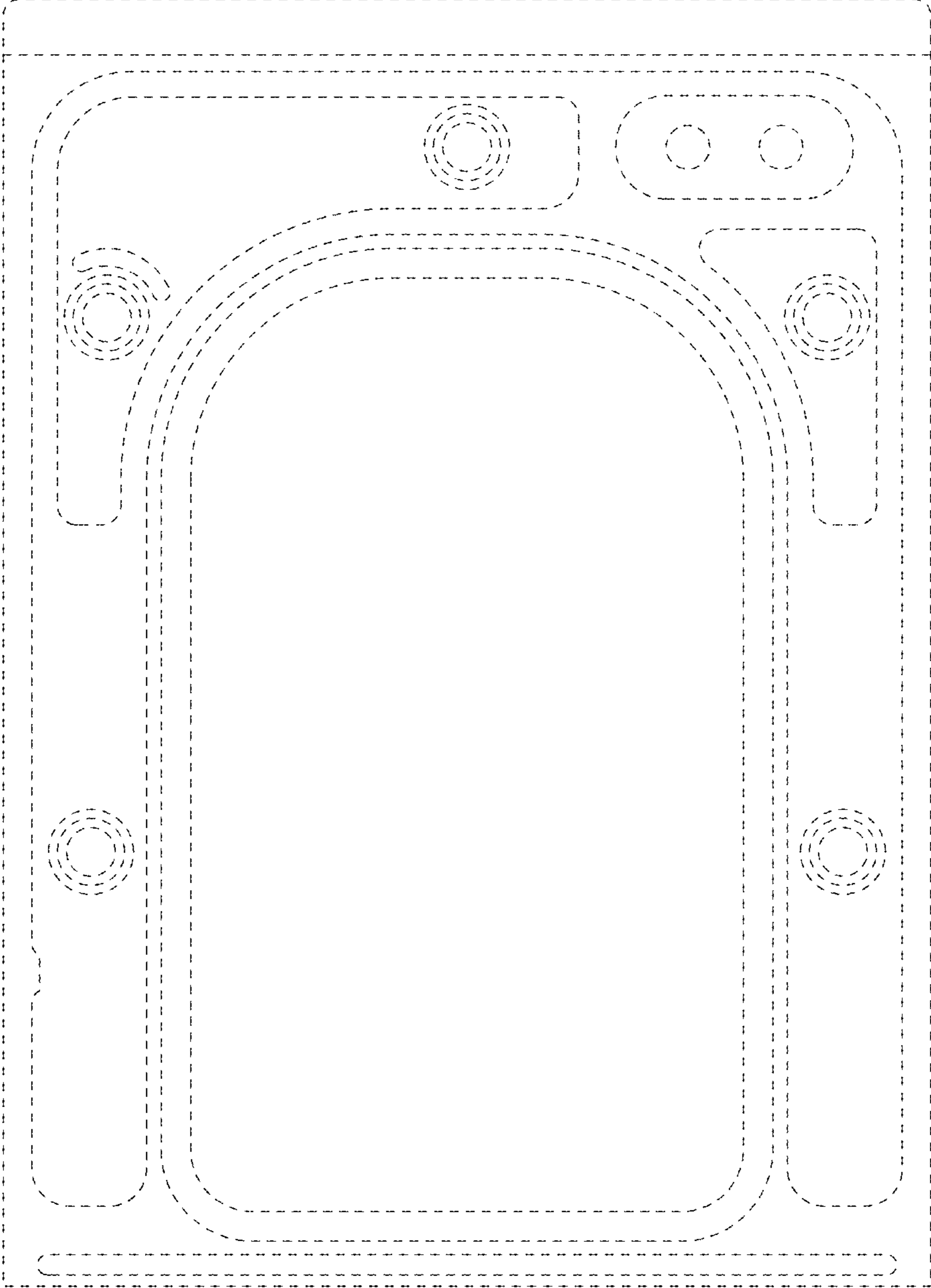


FIG. 4

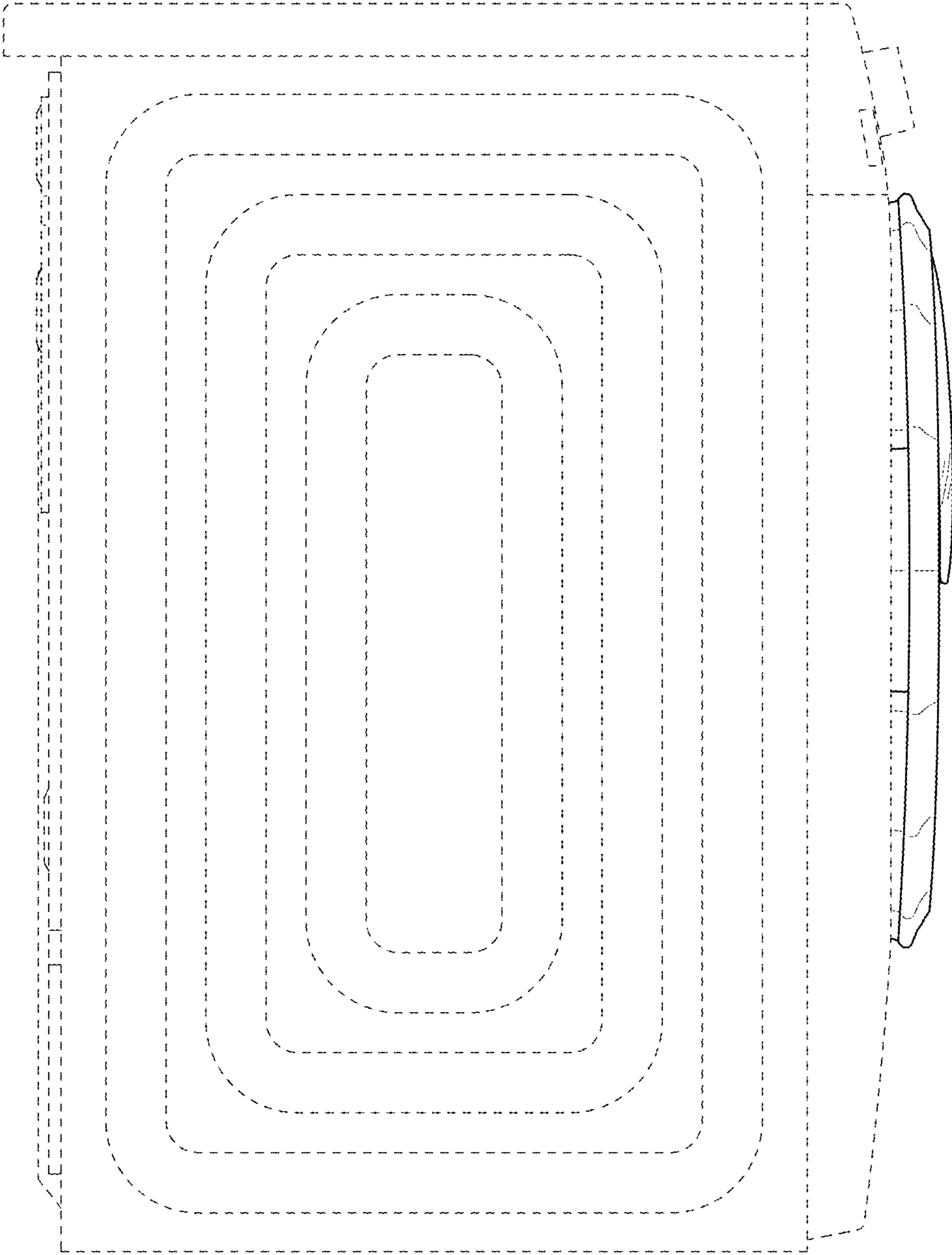


FIG. 5

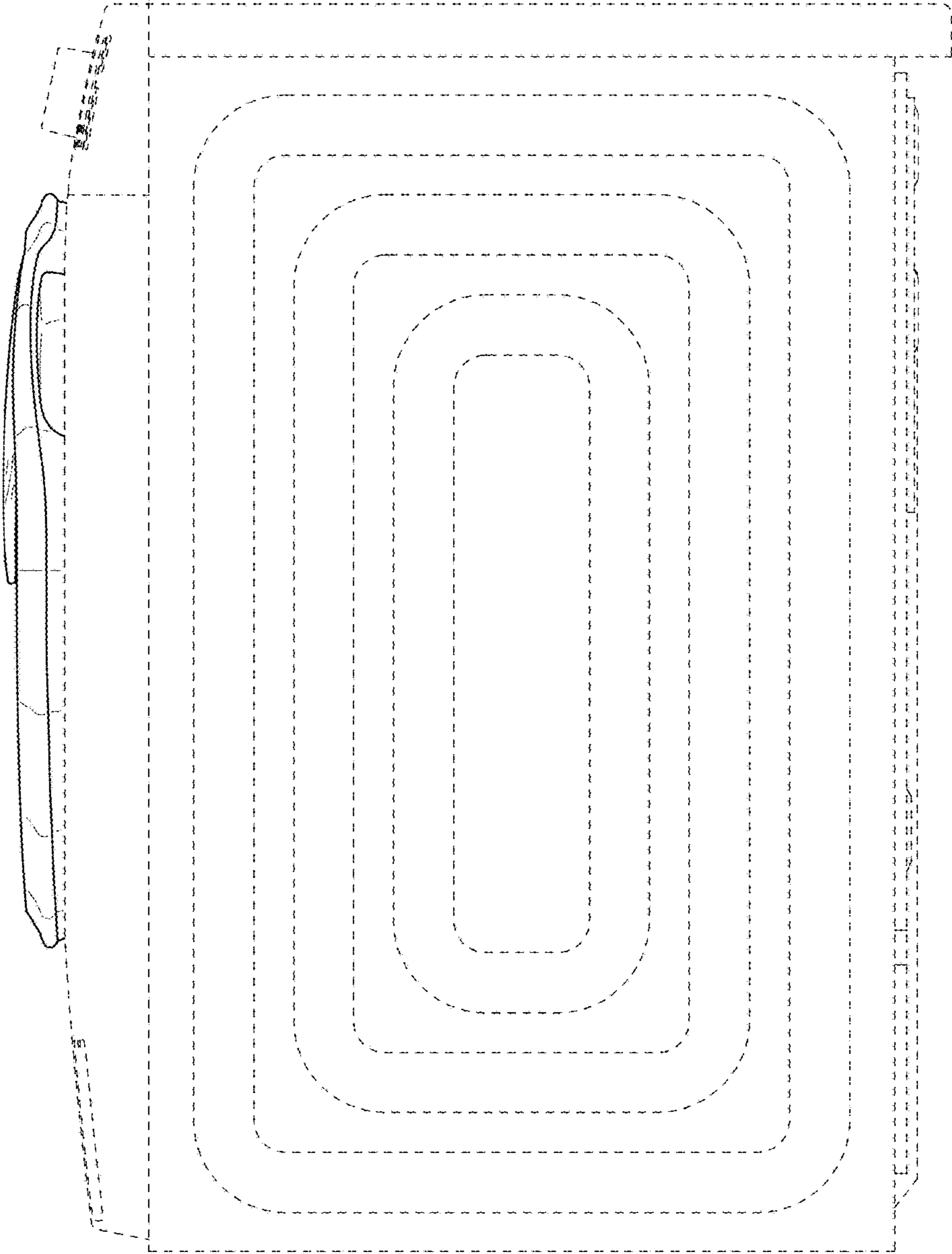


FIG. 6

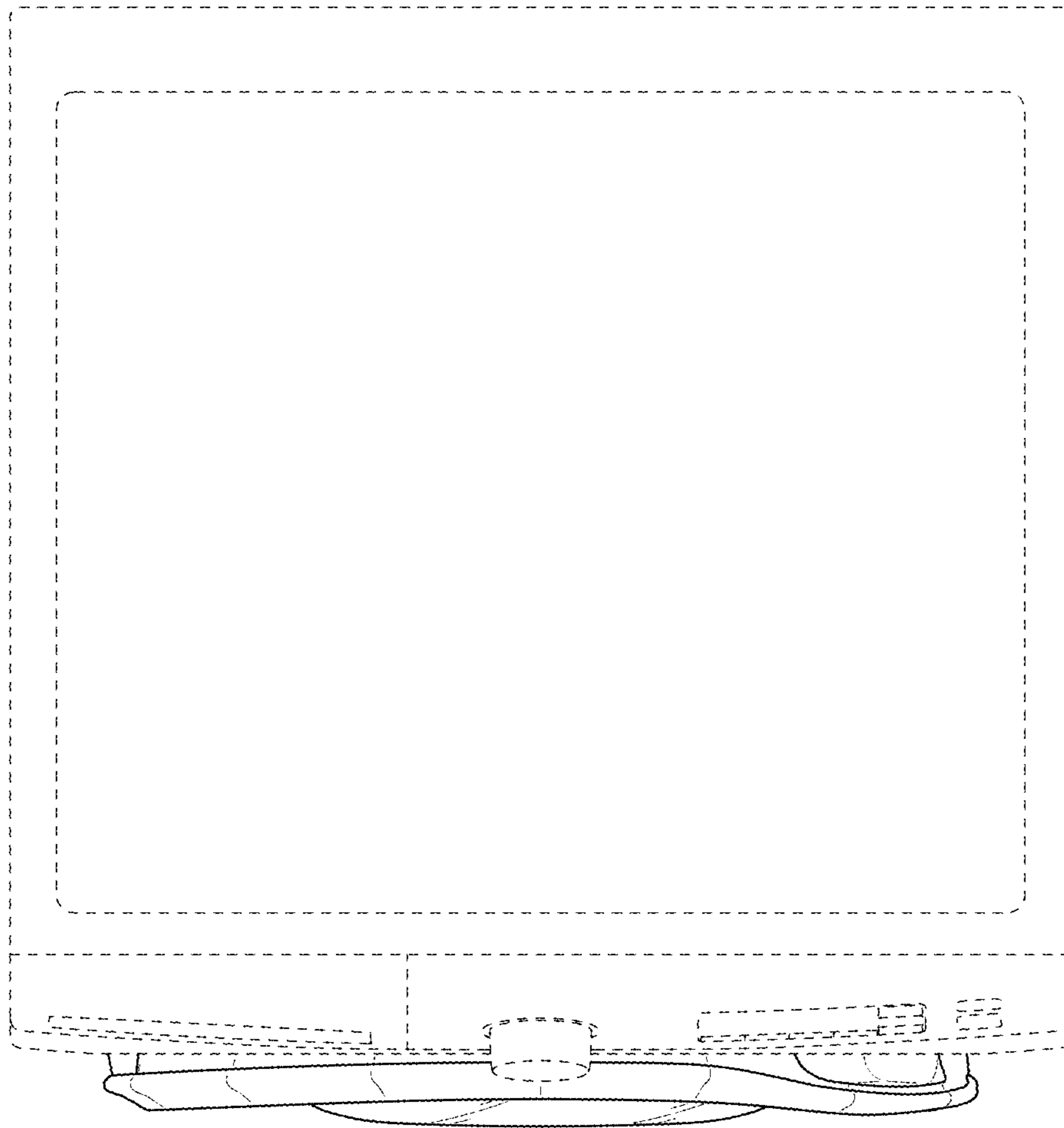




FIG. 7

