



US00D773752S

(12) **United States Design Patent**
Suh et al.

(10) **Patent No.:** **US D773,752 S**
(45) **Date of Patent:** **** Dec. 6, 2016**

(54) **PEDESTAL FOR WINE GLASS**
(71) Applicant: **Samsung Electronics Co., Ltd.**,
Suwon-si, Gyeonggi-do (KR)
(72) Inventors: **Seung-Wook Suh**, Goyang-si (KR);
Hyeong-Ju Seo, Seoul (KR); **Woo-Joo**
Choi, Anyang-si (KR); **Jae-Jun Kim**,
Seoul (KR)
(73) Assignee: **SAMSUNG ELECTRONICS CO.,**
LTD. (KR)

(**) Term: **14 Years**
(21) Appl. No.: **29/519,319**
(22) Filed: **Mar. 4, 2015**

(30) **Foreign Application Priority Data**
Sep. 4, 2014 (KR) 30-2014-0043385
(51) **LOC (10) Cl.** **15-05**
(52) **U.S. Cl.**
USPC **D32/3; D7/705**
(58) **Field of Classification Search**
USPC D32/2, 3, 25; D7/701-708; D8/395, 349,
D8/354, 356; D6/552, 572
CPC A47J 47/16; A47L 15/505; A47L 15/503;
A47G 23/02; A47G 23/0208; A47B
73/00; A47F 1/12
See application file for complete search history.

(56) **References Cited**
U.S. PATENT DOCUMENTS
D148,883 S * 3/1948 Panzer D7/706
D195,152 S * 4/1963 Angelakes D7/706

3,478,457 A * 11/1969 Watkins A47G 23/0208
211/75
4,909,401 A * 3/1990 McConnell A47L 15/505
211/41.8
D416,761 S * 11/1999 Miller D7/701
6,695,152 B1 * 2/2004 Fabrizio A47F 1/12
211/175
D516,757 S * 3/2006 Hedstrom D32/2
D624,795 S * 10/2010 Koeleman D7/706
D680,828 S * 4/2013 Decker D7/705
D750,633 S * 3/2016 Minn D14/447
2005/0178412 A1 * 8/2005 Koch A47L 15/505
134/135
2007/0125729 A1 * 6/2007 Krueger A47G 23/0208
211/60.1
2012/0292273 A1 * 11/2012 McNamara A47L 15/505
211/79

* cited by examiner

Primary Examiner — Terry Wallace
(74) *Attorney, Agent, or Firm* — Cantor Colburn LLP

(57) **CLAIM**

The ornamental design for a pedestal for wine glass, as shown and described.

DESCRIPTION

FIG. 1 is a perspective view of a pedestal for wine glass, showing our new design;
FIG. 2 is a front view thereof;
FIG. 3 is a rear view thereof;
FIG. 4 is a side view thereof;
FIG. 5 is another side view thereof;
FIG. 6 is a top view thereof; and,
FIG. 7 is a bottom view thereof.

1 Claim, 7 Drawing Sheets

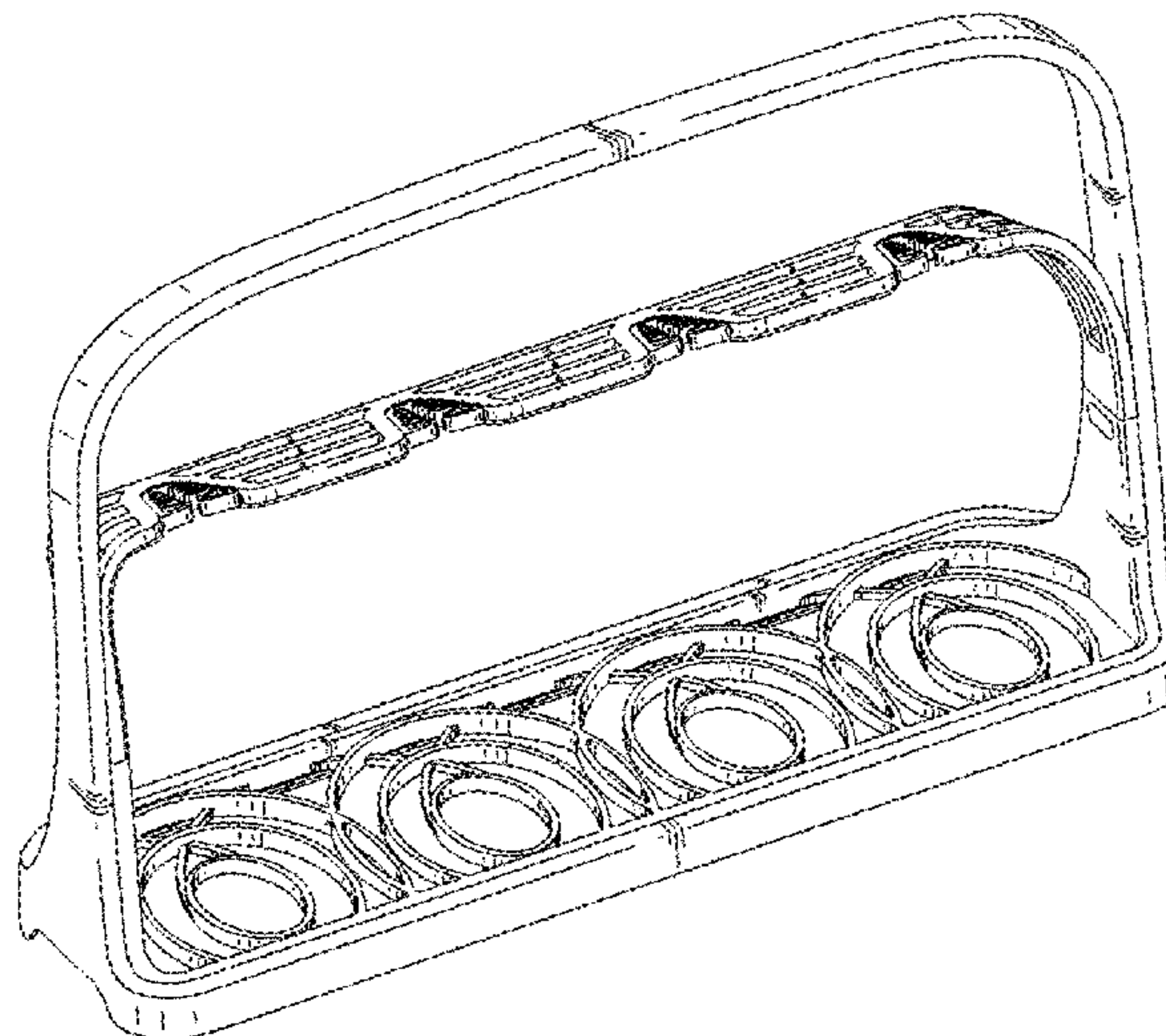


FIG. 1

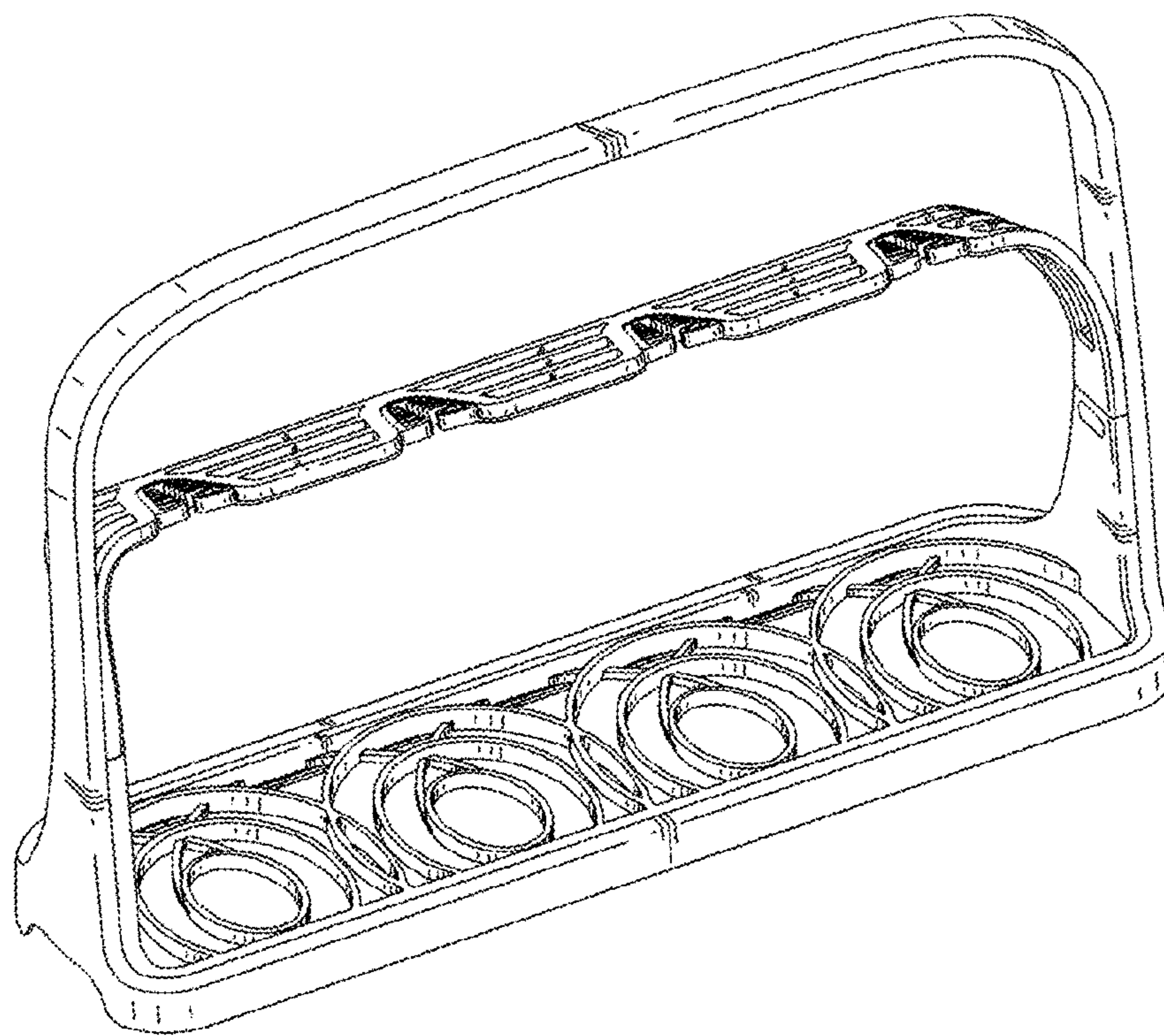


FIG.2

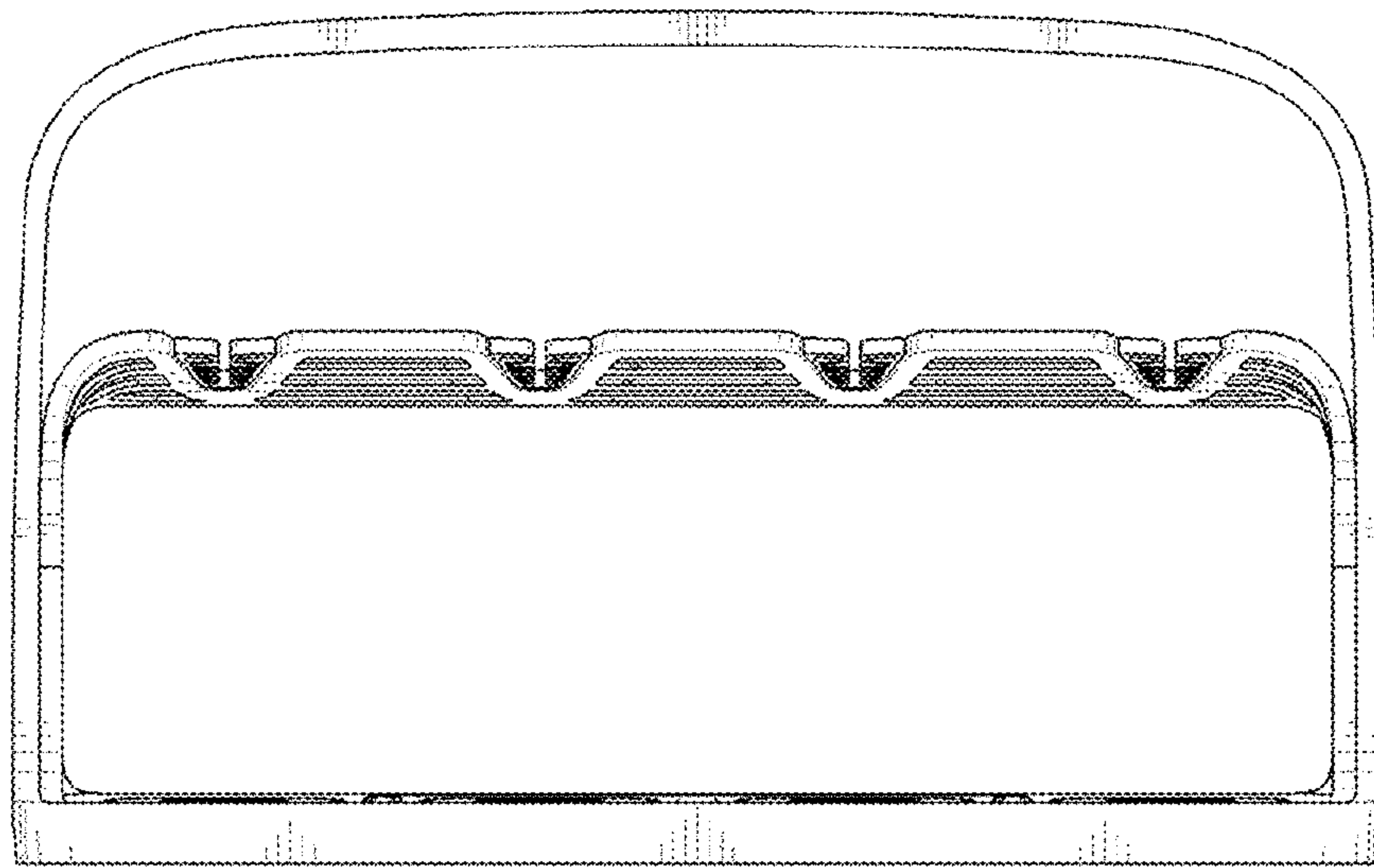


FIG.3

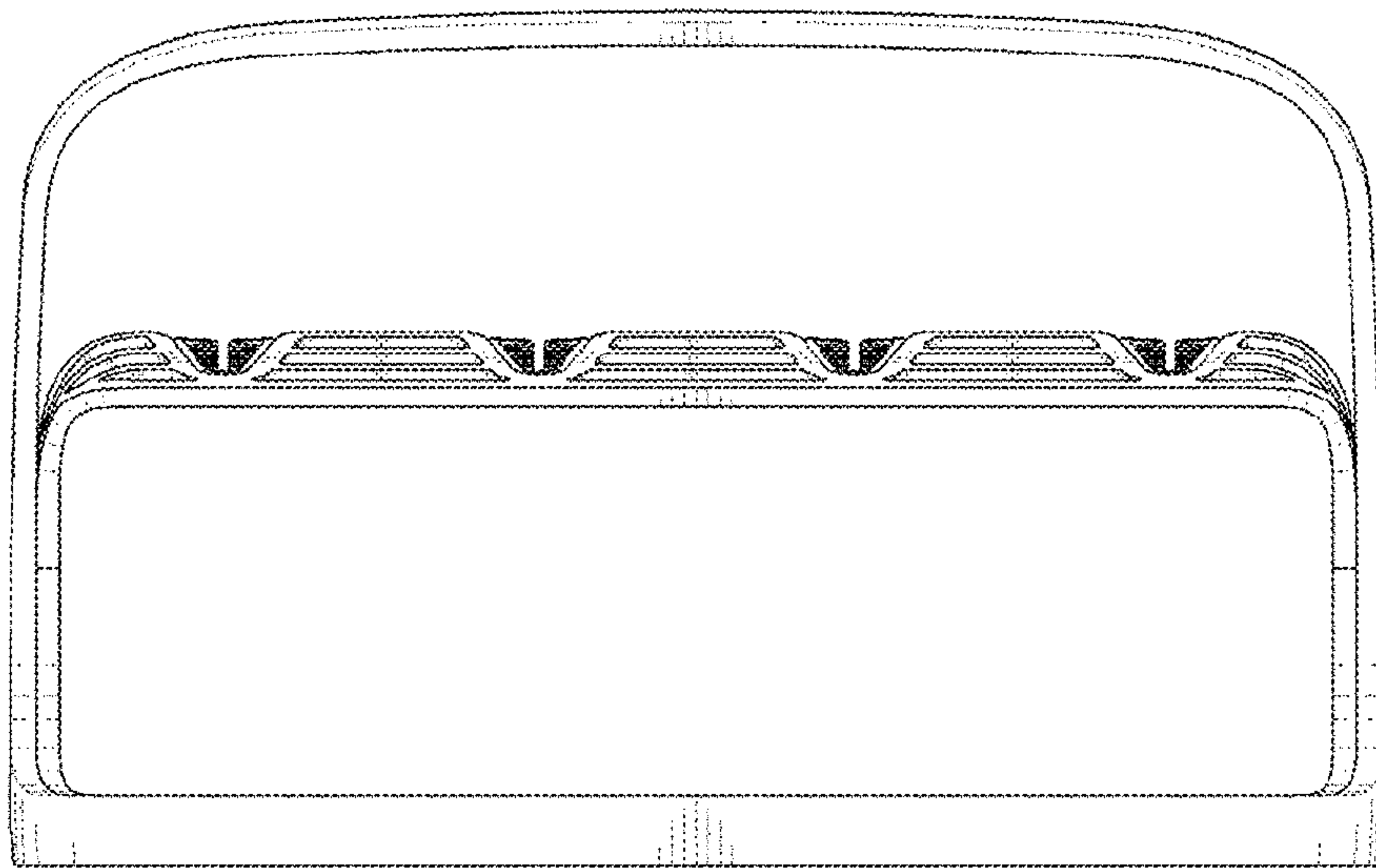


FIG. 4

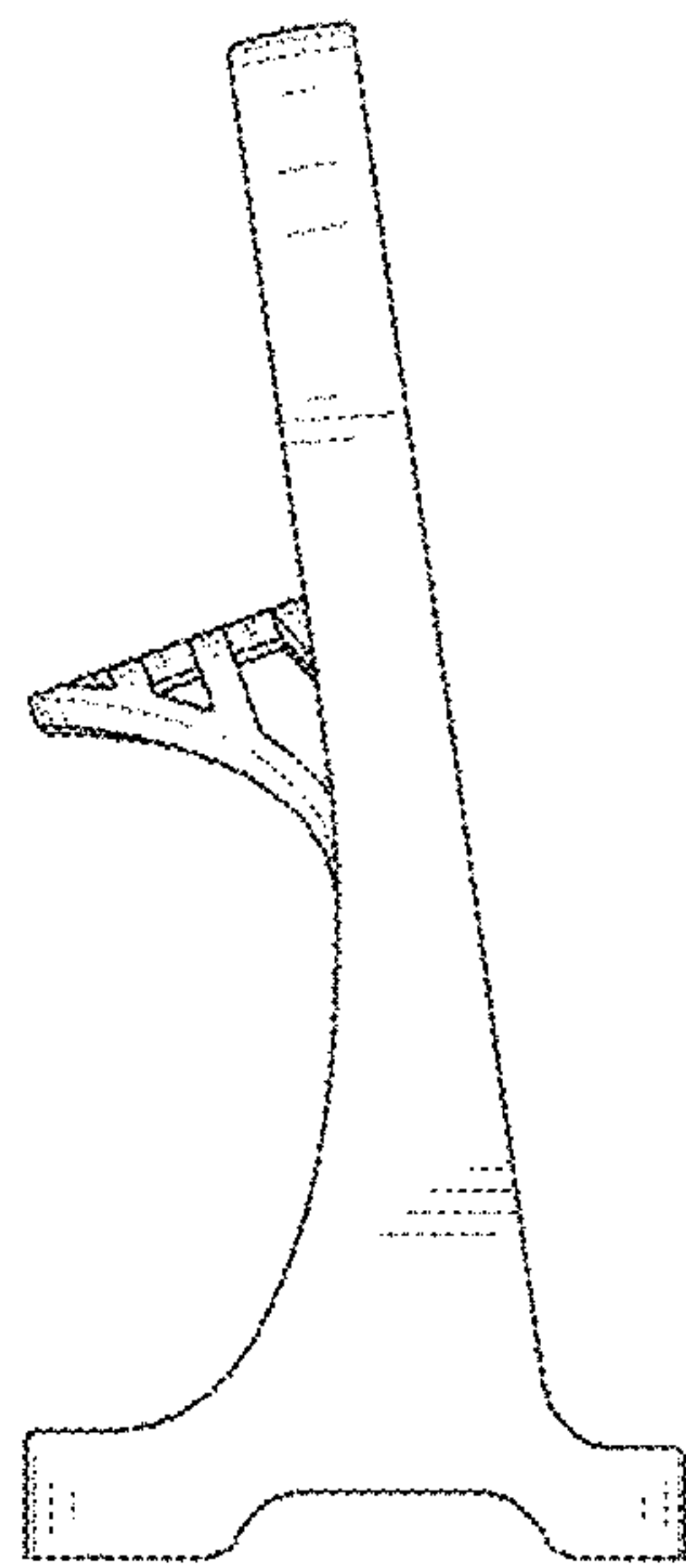


FIG. 5

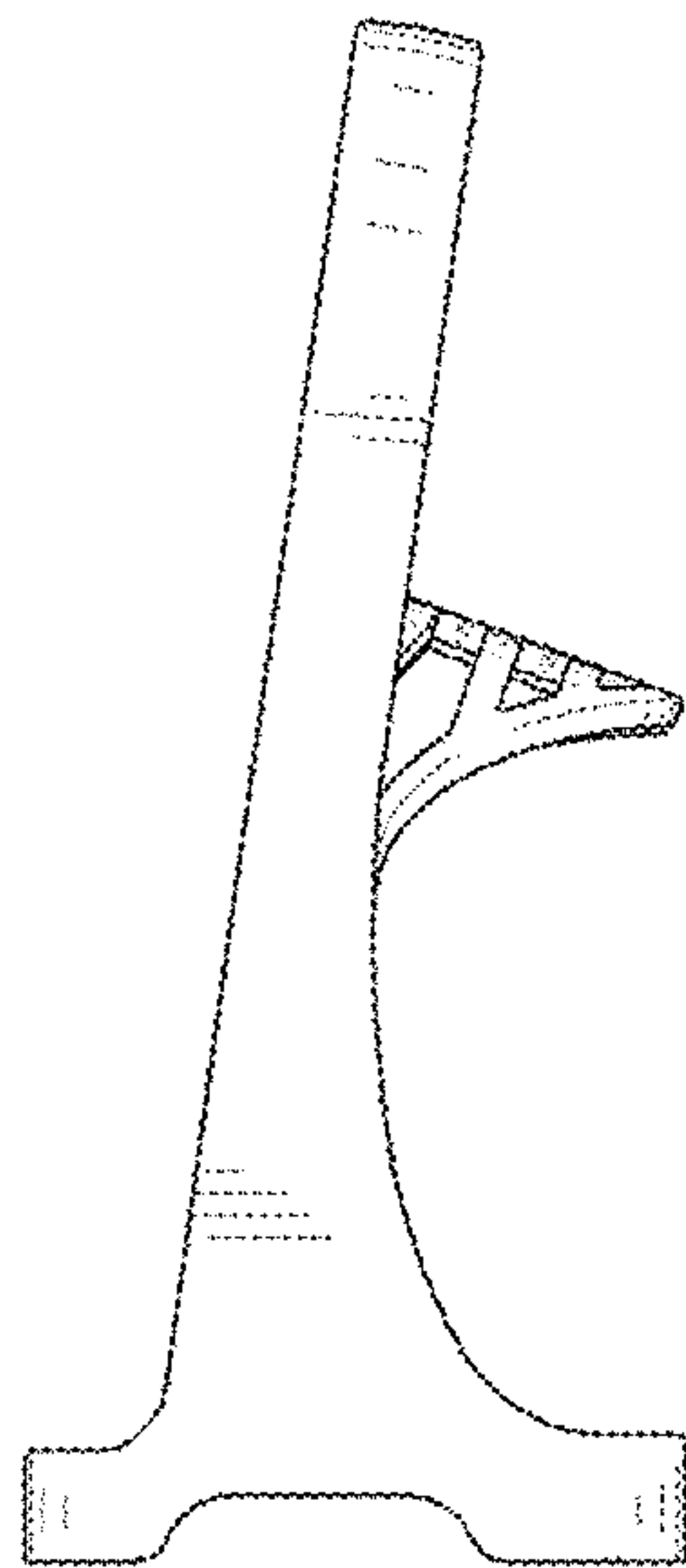


FIG.6

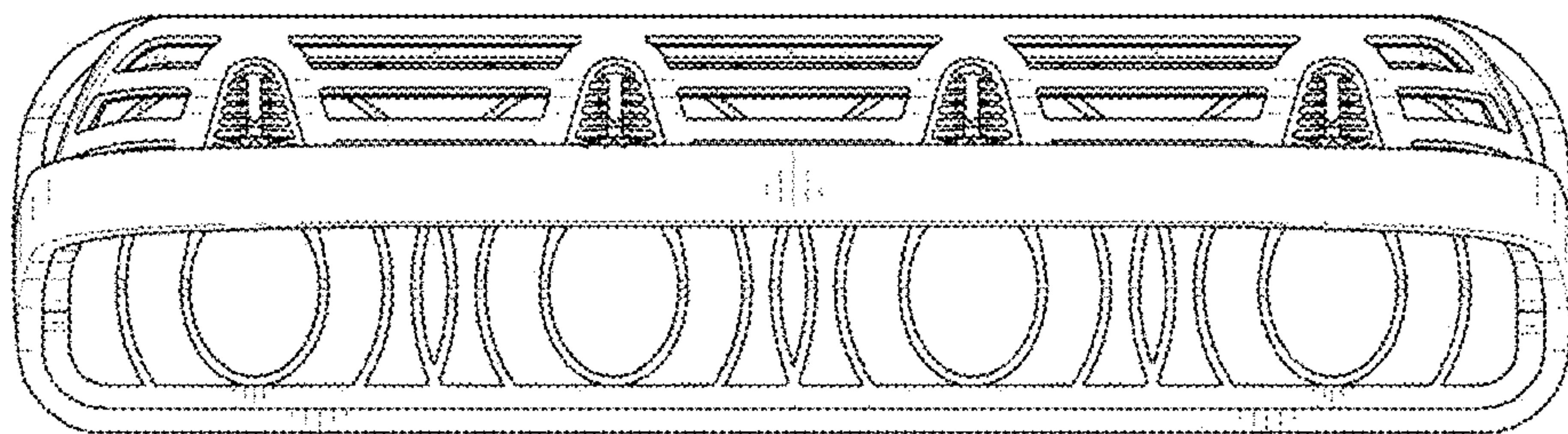


FIG. 7

