



US00D773750S

(12) **United States Design Patent**
Tucker Wilhelm

(10) **Patent No.:** **US D773,750 S**
(45) **Date of Patent:** **** Dec. 6, 2016**

- (54) **PET PLAY PAD**
- (71) Applicant: **Brenda Marie Tucker Wilhelm**, Fair Oaks, CA (US)
- (72) Inventor: **Brenda Marie Tucker Wilhelm**, Fair Oaks, CA (US)
- (**) Term: **15 Years**
- (21) Appl. No.: **29/543,852**
- (22) Filed: **Oct. 28, 2015**

Related U.S. Application Data

- (66) Substitute for application No. 29/337,272, filed on May 18, 2009, now abandoned.
- (51) **LOC (10) Cl.** **30-06**
- (52) **U.S. Cl.**
USPC **D30/118; D30/160**
- (58) **Field of Classification Search**
USPC D30/118, 160; D6/596-597, 601, 603, D6/582-583, 585
CPC A01K 1/00; A01K 1/0272; A01K 1/0353; A01K 1/035; A01K 29/00; A01K 1/033; A47D 13/08; A47D 13/083; A47G 9/10
See application file for complete search history.

References Cited

U.S. PATENT DOCUMENTS

- 1,817,404 A * 8/1931 Whaley B60N 2/6054 297/225
- 2,060,092 A * 11/1936 Lueas A41B 13/06 5/413 R
- 2,078,022 A * 4/1937 Roemer A63F 9/088 446/227
- 2,313,337 A * 3/1943 Gurke A47G 9/04 D6/596
- 2,461,682 A * 2/1949 De Ferrari A63H 33/006 446/227

- 2,700,778 A * 2/1955 Syracuse A47D 15/02 128/872
- 2,727,253 A * 12/1955 Tomsic A47C 31/105 5/496
- 2,775,222 A * 12/1956 Kruck A01K 1/0353 D30/118
- 3,126,027 A * 3/1964 Blair F16K 31/122 137/243.6
- 3,162,868 A * 12/1964 Cramer A47G 9/0253 5/490
- 3,590,864 A * 7/1971 Vechesloff A41D 15/04 135/115
- D269,474 S * 6/1983 Mundy D6/603
- 4,654,906 A * 4/1987 Roberts A47G 9/06 D6/603
- 5,002,014 A * 3/1991 Albin A01K 1/0353 119/28.5

(Continued)

Primary Examiner — Cathy Anne MacCormac
(74) *Attorney, Agent, or Firm* — QuickPatents, LLC; Kevin Prince

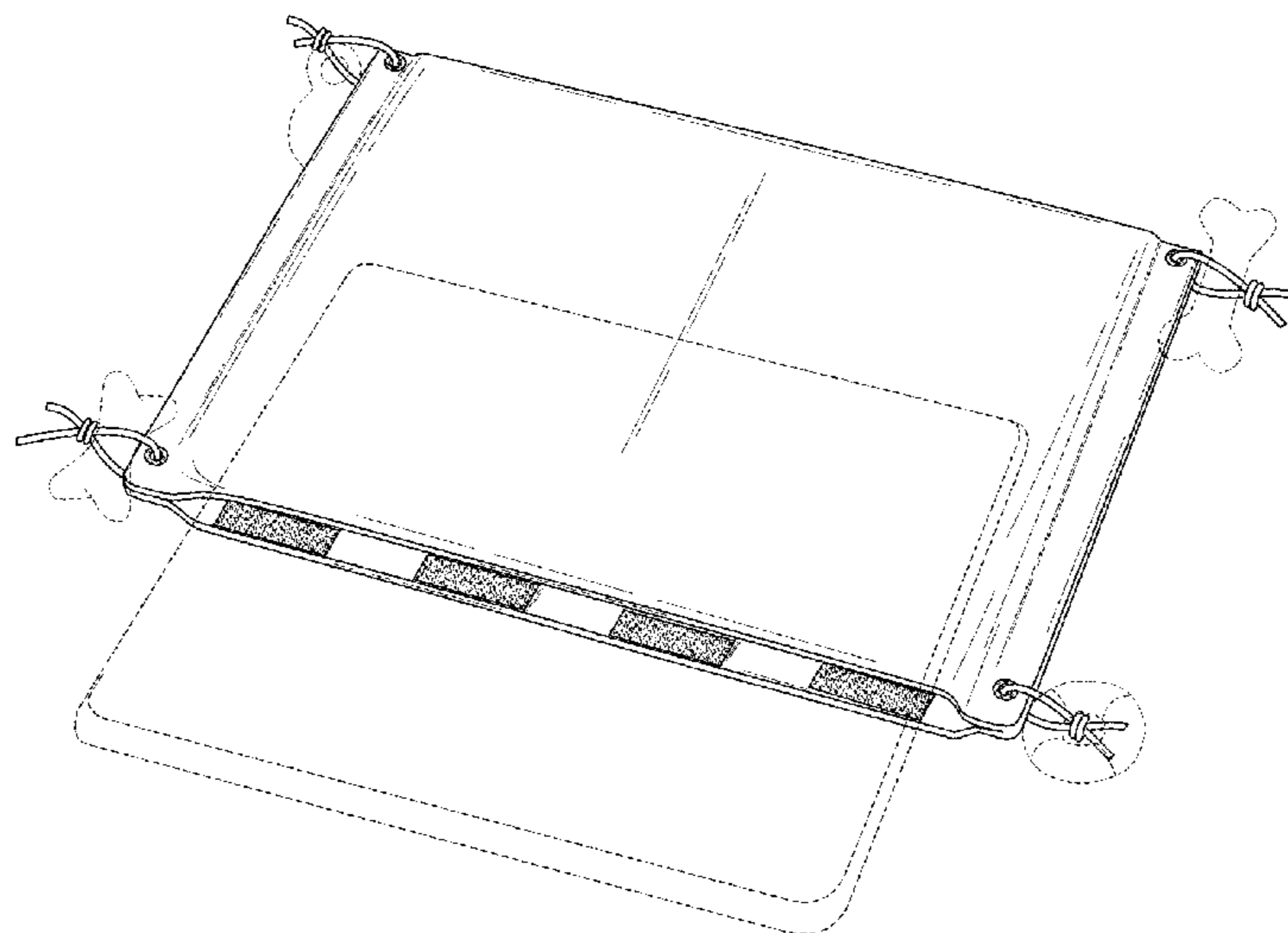
(57) **CLAIM**

I claim the ornamental design for a pet play pad, as shown and described.

DESCRIPTION

FIG. 1 is a perspective view of a pet play pad, showing my new design;
FIG. 2 is a front elevational view thereof;
FIG. 3 is a rear elevational view thereof;
FIG. 4 is a left-side elevational view thereof, the right-side elevational view being identical to the left-side shown; and, FIG. 5 is a top plan view thereof, the bottom plan view being of identical to the top view shown.
The broken lines showing a pad and pet toys in FIG. 1 depict environmental matter and form no part of the claimed design.

1 Claim, 2 Drawing Sheets



(56)

References Cited

U.S. PATENT DOCUMENTS

5,357,901 A *	10/1994	Batts	A01K 1/0353	119/28.5	6,952,845 B1 *	10/2005	Akkad	A45F 4/02	383/4
D382,755 S *	8/1997	Knopfler	D6/596		7,090,500 B1 *	8/2006	Guttman	G09B 19/24	434/247
5,749,314 A *	5/1998	Pelham	A01K 1/0353	119/28.5	D530,059 S *	10/2006	Tenenbaum	D6/603	
D419,357 S *	1/2000	Atkinson	D6/603		D641,936 S *	7/2011	Simpson	D30/118	
D441,146 S *	4/2001	Passmore	D30/118		D699,052 S *	2/2014	Jalan	D6/601	
6,237,531 B1 *	5/2001	Peeples	A01K 1/0353	119/28.5	D706,994 S *	6/2014	Wiggs	D30/118	
6,276,383 B1 *	8/2001	Galstad	E04H 15/58	135/115	2005/0005355 A1 *	1/2005	Marks	A47G 9/062	5/417
D476,184 S *	6/2003	Hall	D6/601		2005/0039261 A1 *	2/2005	Corral	A47G 9/062	5/417
6,684,422 B2 *	2/2004	LeFevre	A47G 9/0223	2/69	2006/0037139 A1 *	2/2006	Akkad	A47G 9/062	5/419
6,796,996 B2 *	9/2004	Antinoro	A01K 1/0353	5/655.4	2006/0277681 A1 *	12/2006	Mecheau	A47G 9/02	5/419
6,805,076 B2 *	10/2004	Duffy	A01K 13/006	119/28.5	2009/0031959 A1 *	2/2009	Crowley	A01K 1/0353	119/28.5
						2009/0253342 A1 *	10/2009	Oren	A47D 5/006	446/227

* cited by examiner

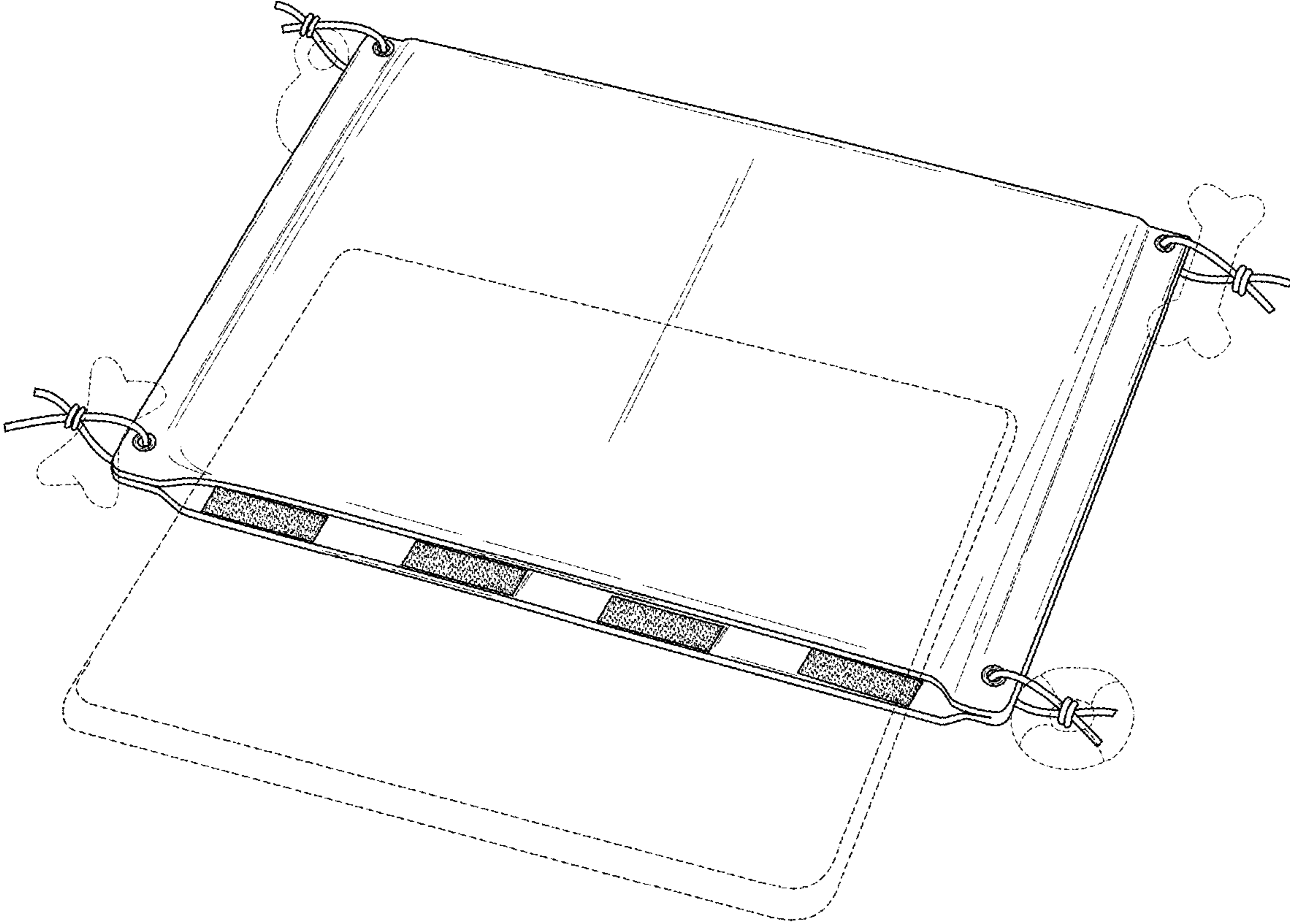


FIG. 1

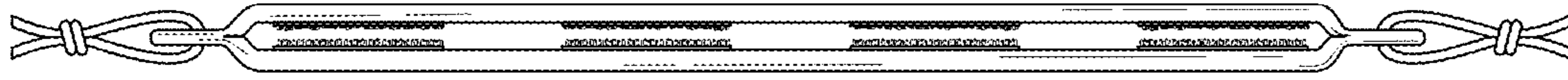


FIG. 2

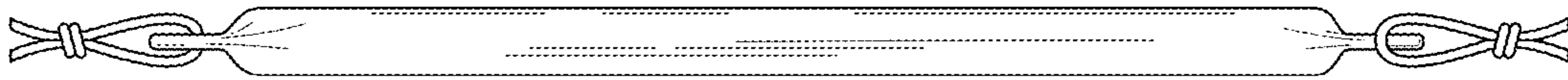


FIG. 3

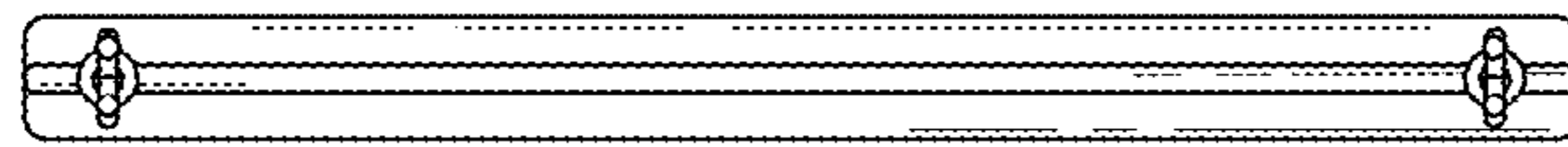


FIG. 4

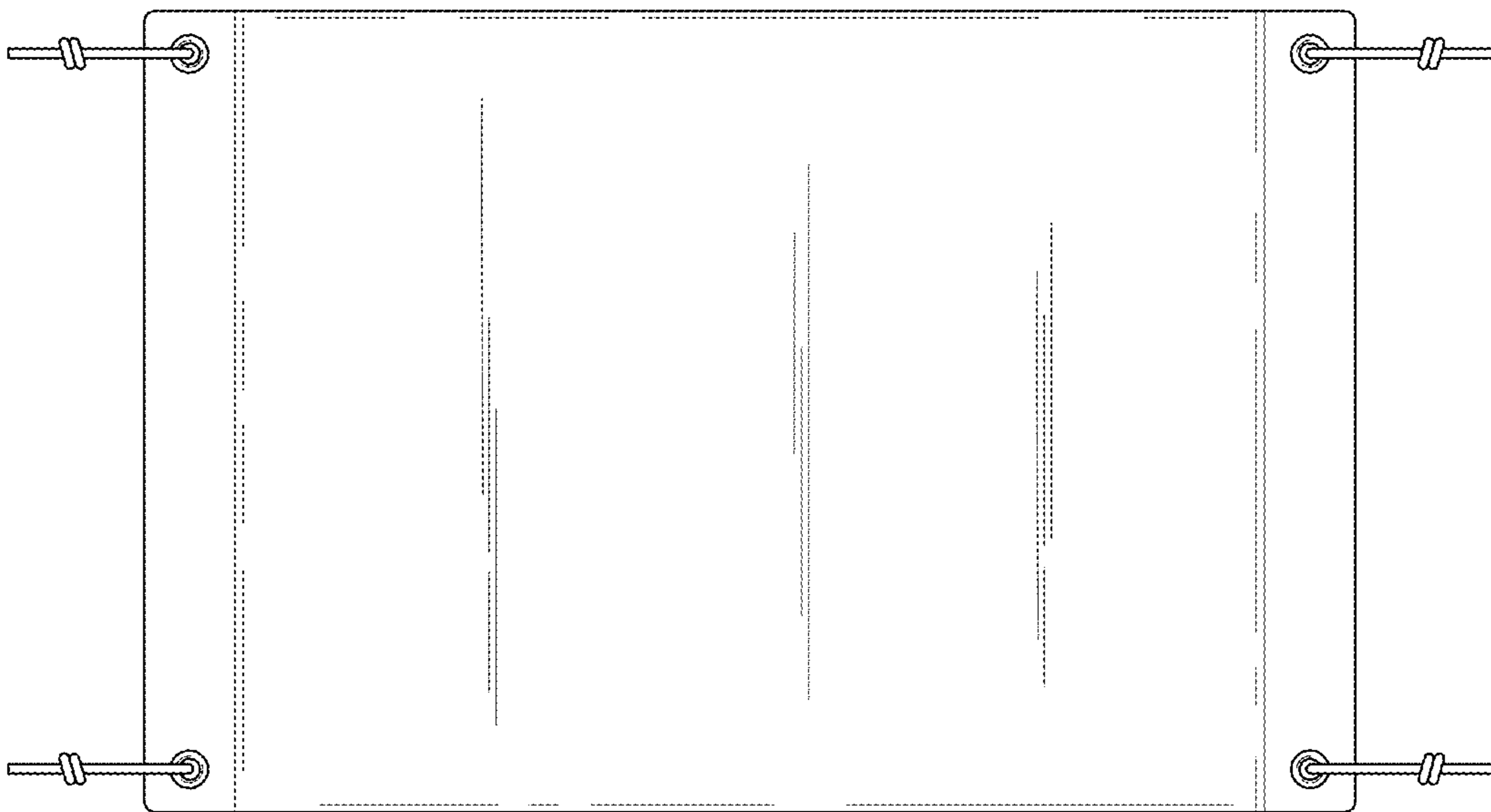


FIG. 5