



US00D773748S

(12) **United States Design Patent** (10) **Patent No.:** **US D773,748 S**
Childs et al. (45) **Date of Patent:** **** Dec. 6, 2016**

(54) **FIRE EXTINGUISHER BRACKET AND ROLL BAR MOUNT ASSEMBLY**

(71) Applicant: **H3R Aviation, Inc.**, Petaluma, CA (US)

(72) Inventors: **Larry Childs**, Cotati, CA (US); **Chris Dieter**, Santa Rosa, CA (US)

(73) Assignee: **HR3 AVIATION, INC.**, Petaluma, CA (US)

(**) Term: **15 Years**

(21) Appl. No.: **29/545,007**

(22) Filed: **Nov. 9, 2015**

(51) **LOC (10) Cl.** **29-01**

(52) **U.S. Cl.**
 USPC **D29/130**

(58) **Field of Classification Search**
 USPC D15/17, 28; D29/125, 130; D8/53, 100, D8/354, 356, 365, 371, 373, 394-396, 499, D8/349; D6/573; D12/51, 214; 248/74.2, 248/300, 301, 312, 313, 316.7, 229.26, 248/311.2, 309.1; 24/546, 563, 327, 334; D24/128
 CPC A62C 13/78; A62C 13/00; F17C 13/084; F17C 2201/0109; F17C 2201/032; F17C 2201/058; F17C 2205/0107; F17C 2205/0126; F17C 2205/018; A62B 9/04; A62B 28/00; A47K 1/08; A47C 7/62; A47G 1/10; A47G 23/02; A47F 5/00; B60R 11/00; B60R 2011/0015; B60R 7/00; F16M 11/00; B62B 1/00
 See application file for complete search history.

4,037,814 A * 7/1977 Clausen A47G 29/08 169/51
 D245,929 S * 9/1977 Montambo D29/130
 D267,227 S * 12/1982 Ziaylek, Jr. D8/373
 4,905,950 A * 3/1990 Turner A62C 13/78 24/273
 4,997,157 A * 3/1991 Sweeny A62C 13/78 248/310
 D394,381 S * 5/1998 Ziaylek, Jr. D8/354
 D434,495 S * 11/2000 Whalen D24/128
 D494,049 S * 8/2004 Ziaylek D8/373
 D494,453 S * 8/2004 Ziaylek D8/373
 6,883,766 B1 * 4/2005 Ziaylek A62B 9/04 248/154
 6,926,243 B1 * 8/2005 Ziaylek A62B 25/00 248/307
 D558,566 S * 1/2008 Ziaylek D8/373
 7,448,586 B2 * 11/2008 Ziaylek A62B 25/00 248/311.3
 7,503,535 B2 * 3/2009 Ziaylek A62B 9/04 248/313
 D618,356 S * 6/2010 Ross D24/185
 D620,783 S * 8/2010 Ziaylek D8/373
 8,220,764 B2 * 7/2012 Ziaylek A62B 25/00 224/275
 D689,980 S * 9/2013 Ziaylek D23/206
 8,668,178 B2 * 3/2014 Ziaylek F17C 13/084 224/570
 D704,900 S 5/2014 Childs et al.
 D739,612 S * 9/2015 Kronebusch D29/130

* cited by examiner

Primary Examiner — Mark Goodwin
 (74) *Attorney, Agent, or Firm* — Steven A. Nielsen;
 www.NielsenPatents.com

(57) **CLAIM**

The ornamental design for a fire extinguisher bracket and roll bar mount assembly, as shown and described herein.

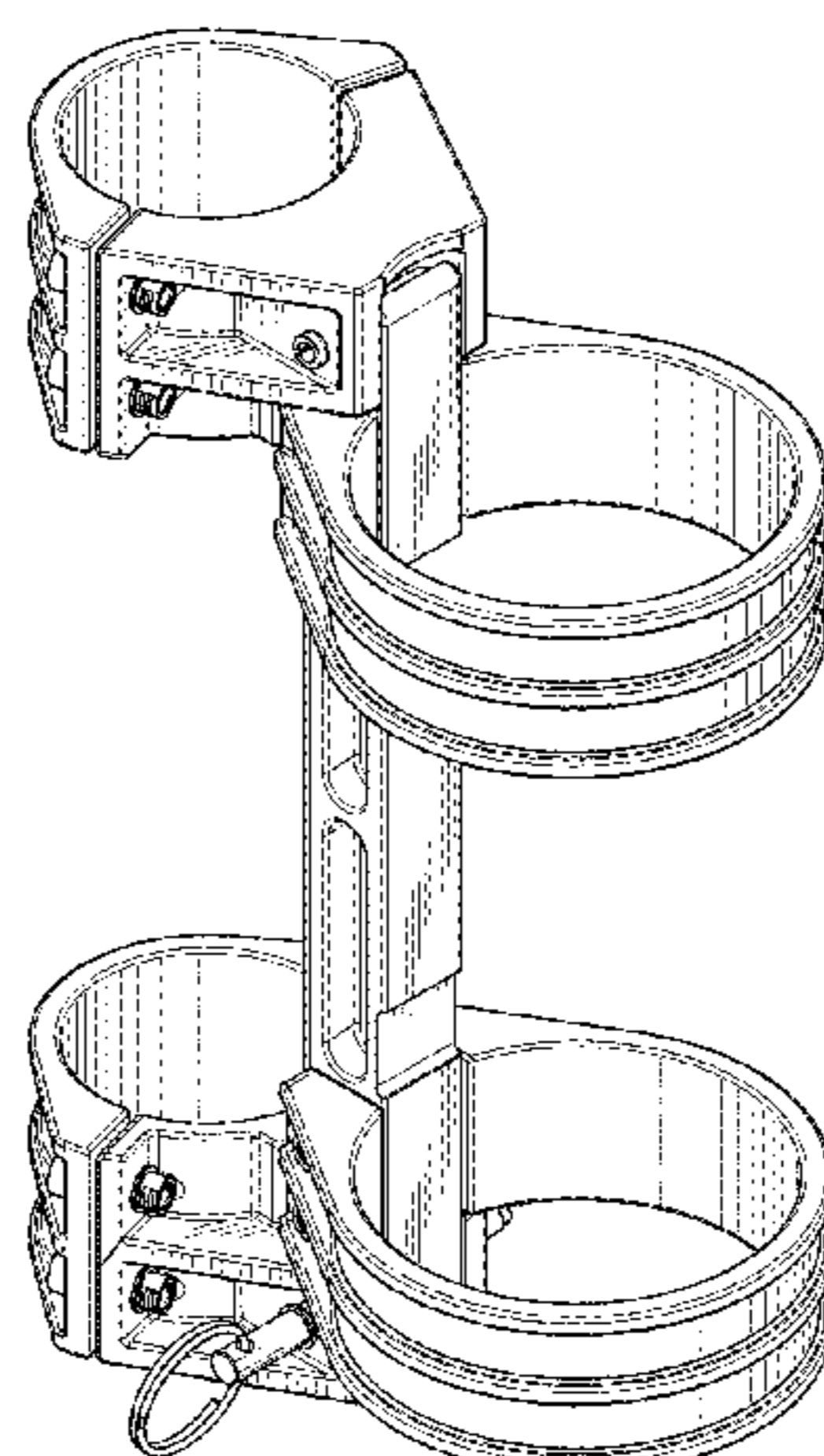
DESCRIPTION

FIG. 1 is a top and side perspective view of a fire extinguisher bracket and roll bar mount assembly a showing a new design;
 FIG. 2 is a front view thereof;
 FIG. 3 is a back view thereof;
 FIG. 4 is a right side view thereof;
 FIG. 5 is a left side view thereof;
 FIG. 6 is a top side view thereof; and,
 FIG. 7 is a bottom side view thereof.

1 Claim, 6 Drawing Sheets

(56) **References Cited**
 U.S. PATENT DOCUMENTS

2,431,698 A * 12/1947 Lombard A62C 13/78 248/311.2
 3,224,720 A * 12/1965 Hain A62C 13/78 248/313
 3,565,384 A * 2/1971 Lockwood A62C 13/78 211/85.18
 D237,357 S * 10/1975 Ziaylek, Jr. D8/373



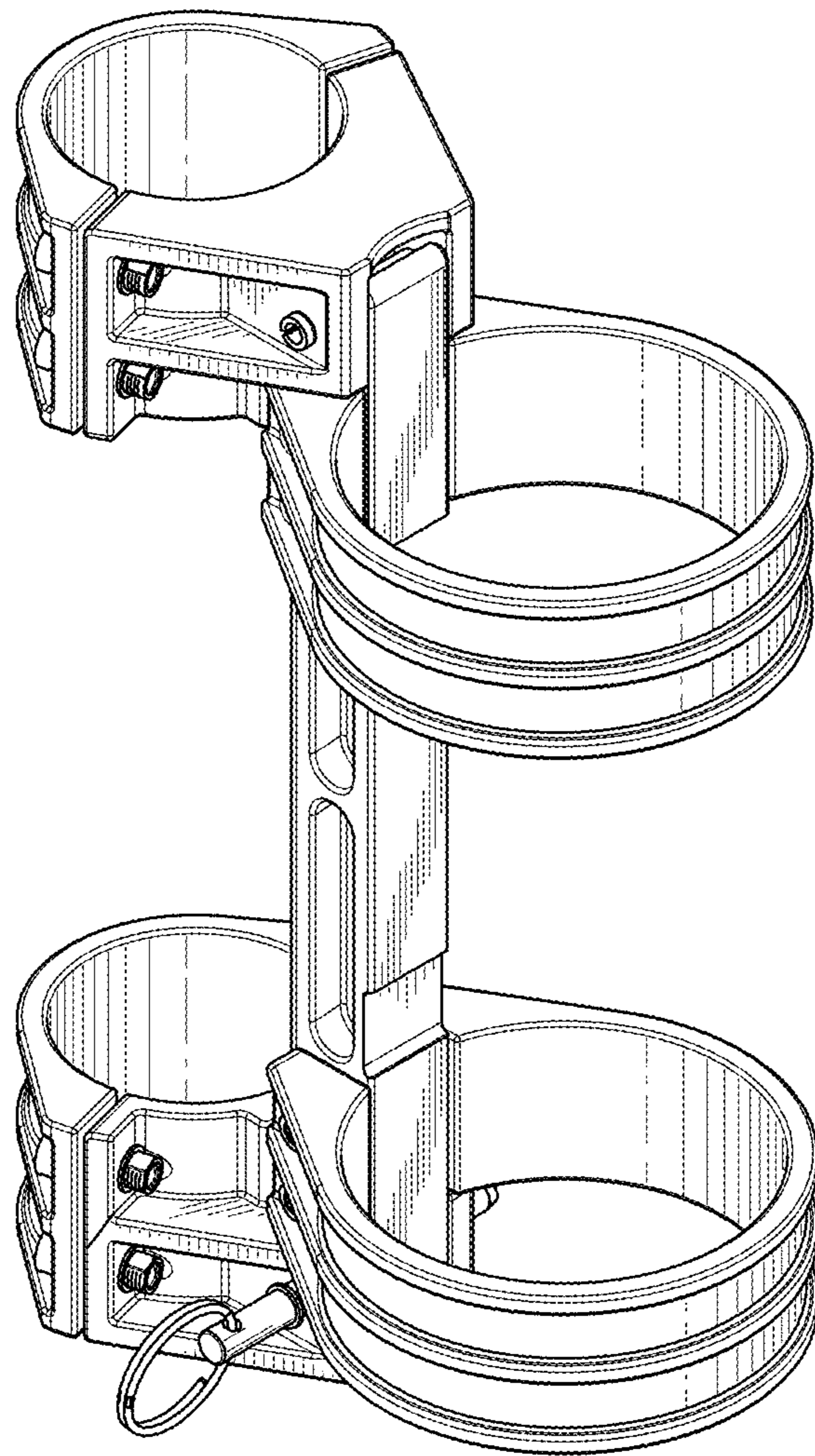


FIG. 1

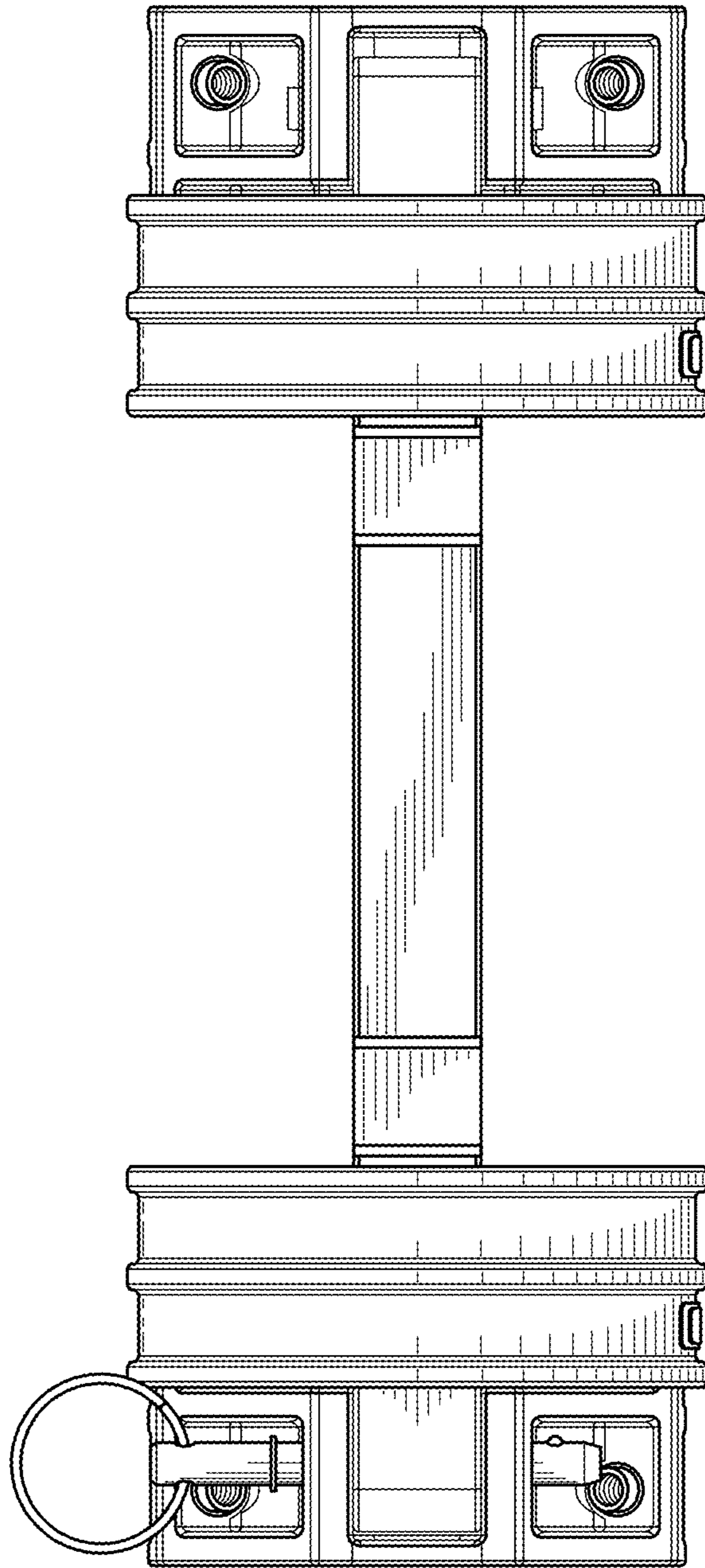


FIG. 2

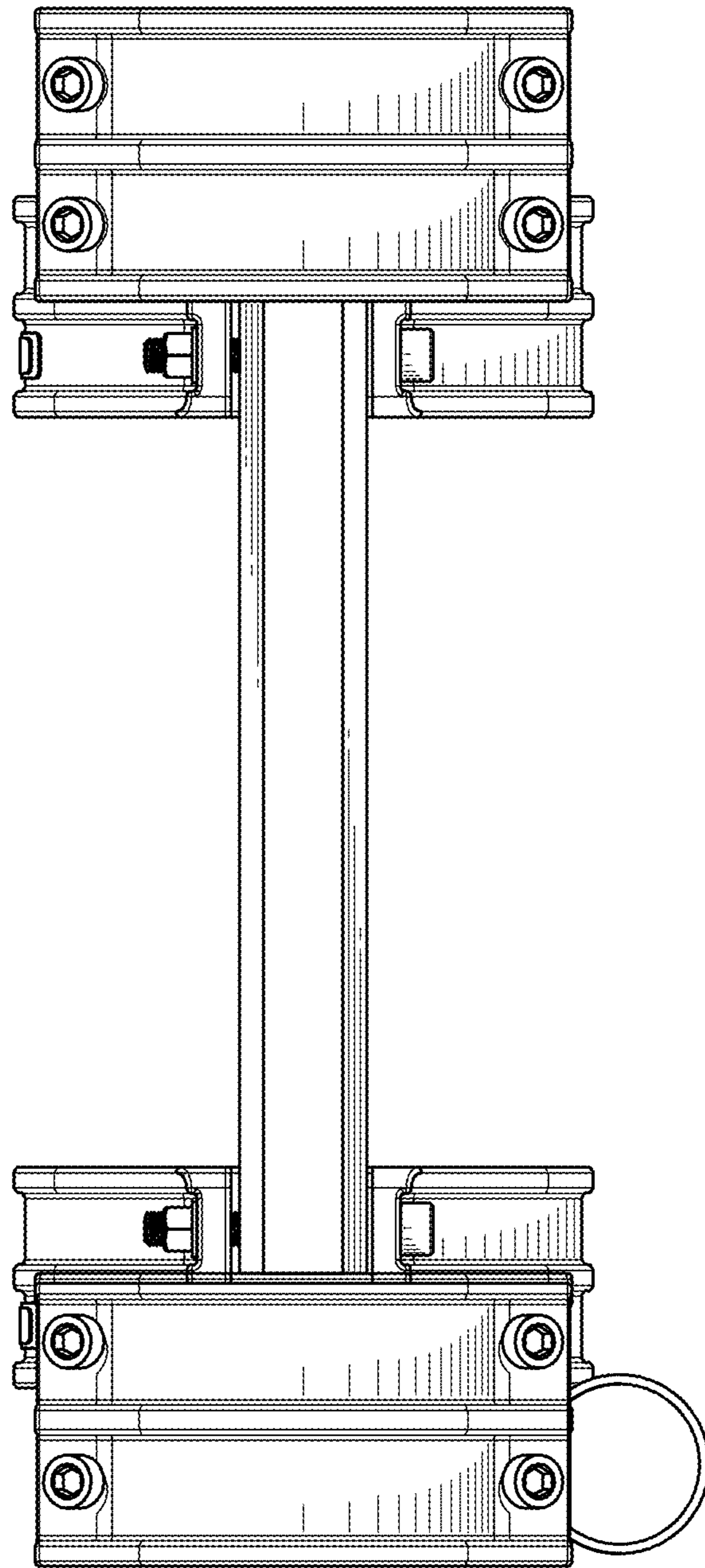


FIG. 3

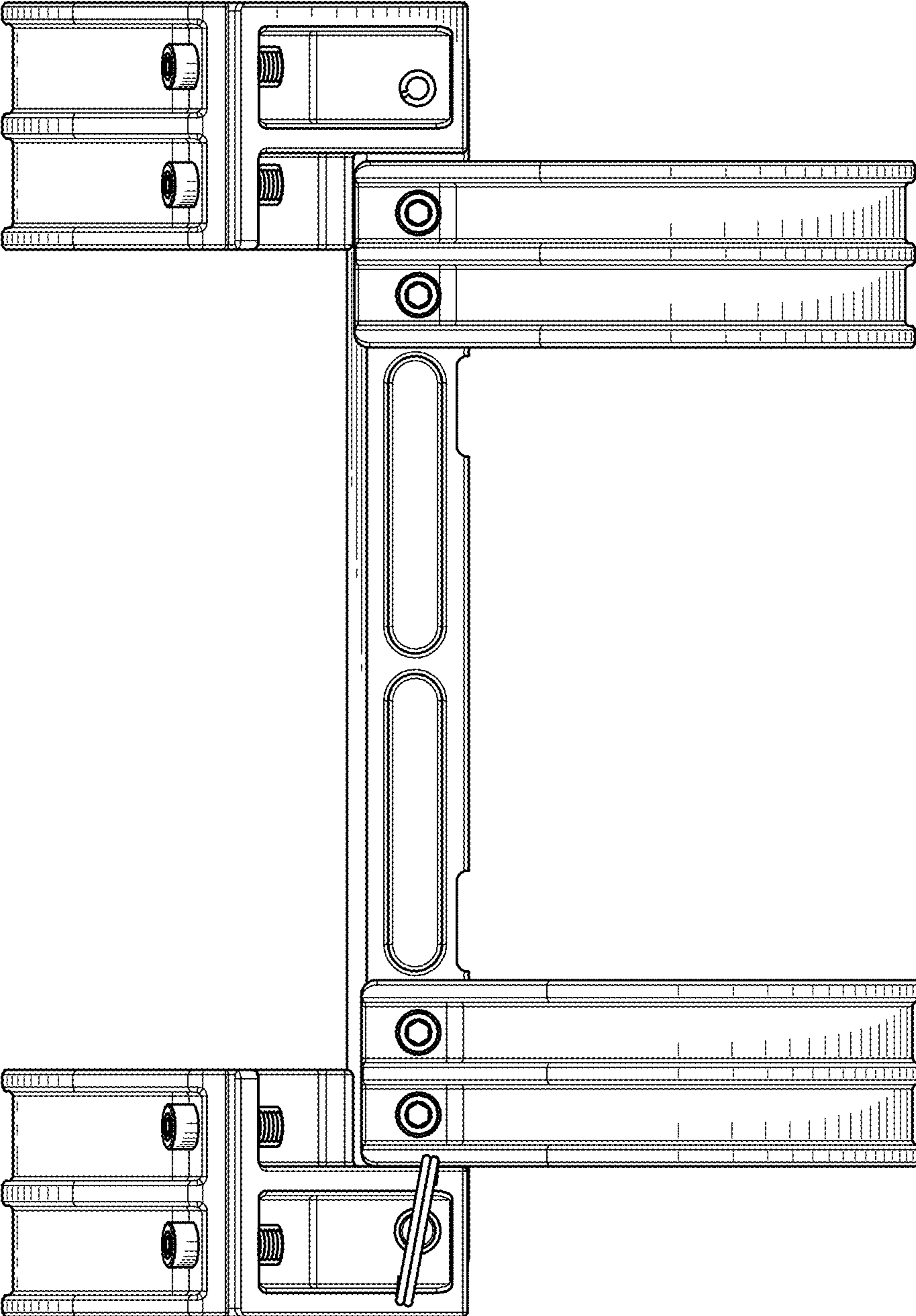


FIG. 4

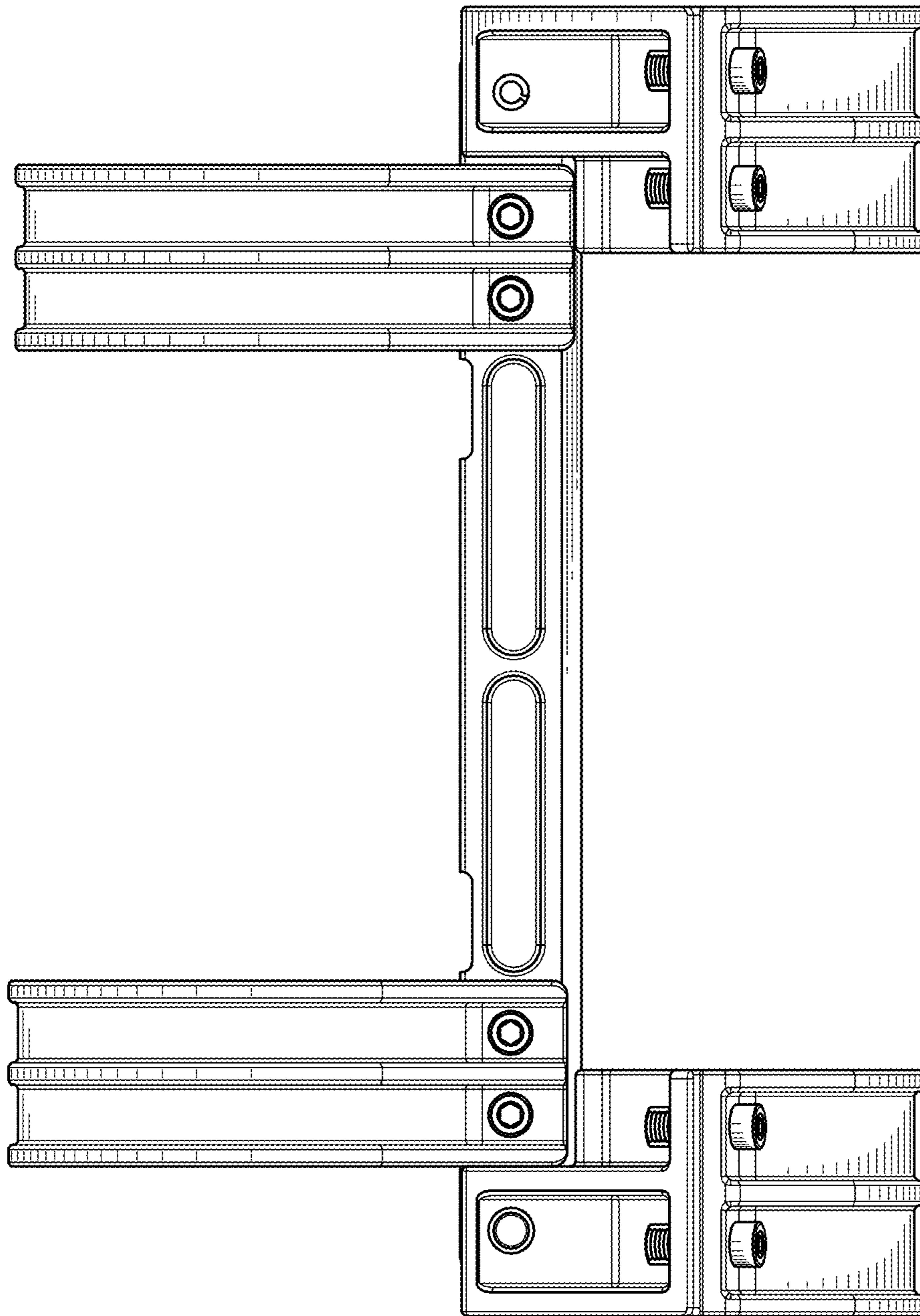


FIG. 5

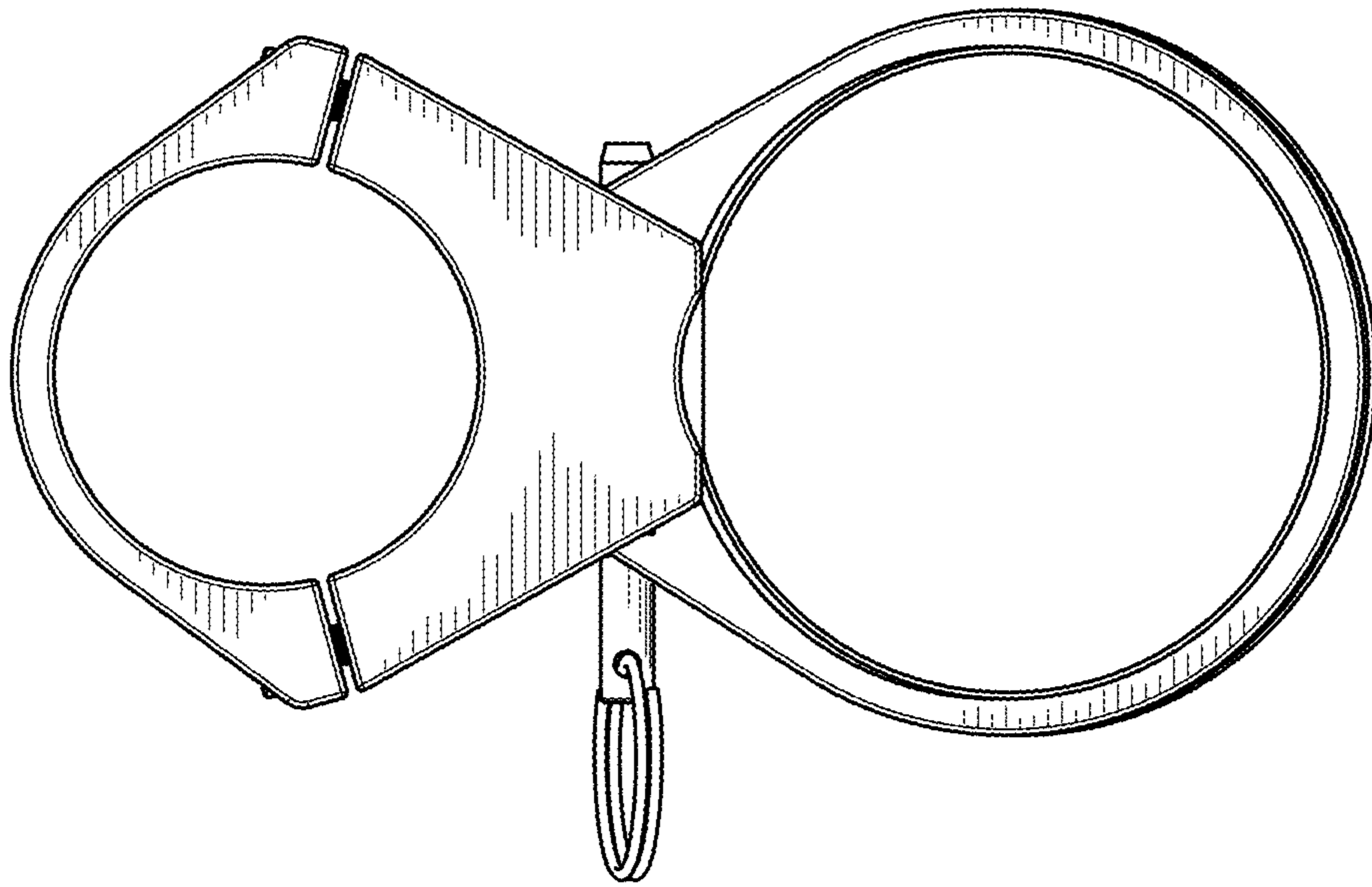


FIG. 6

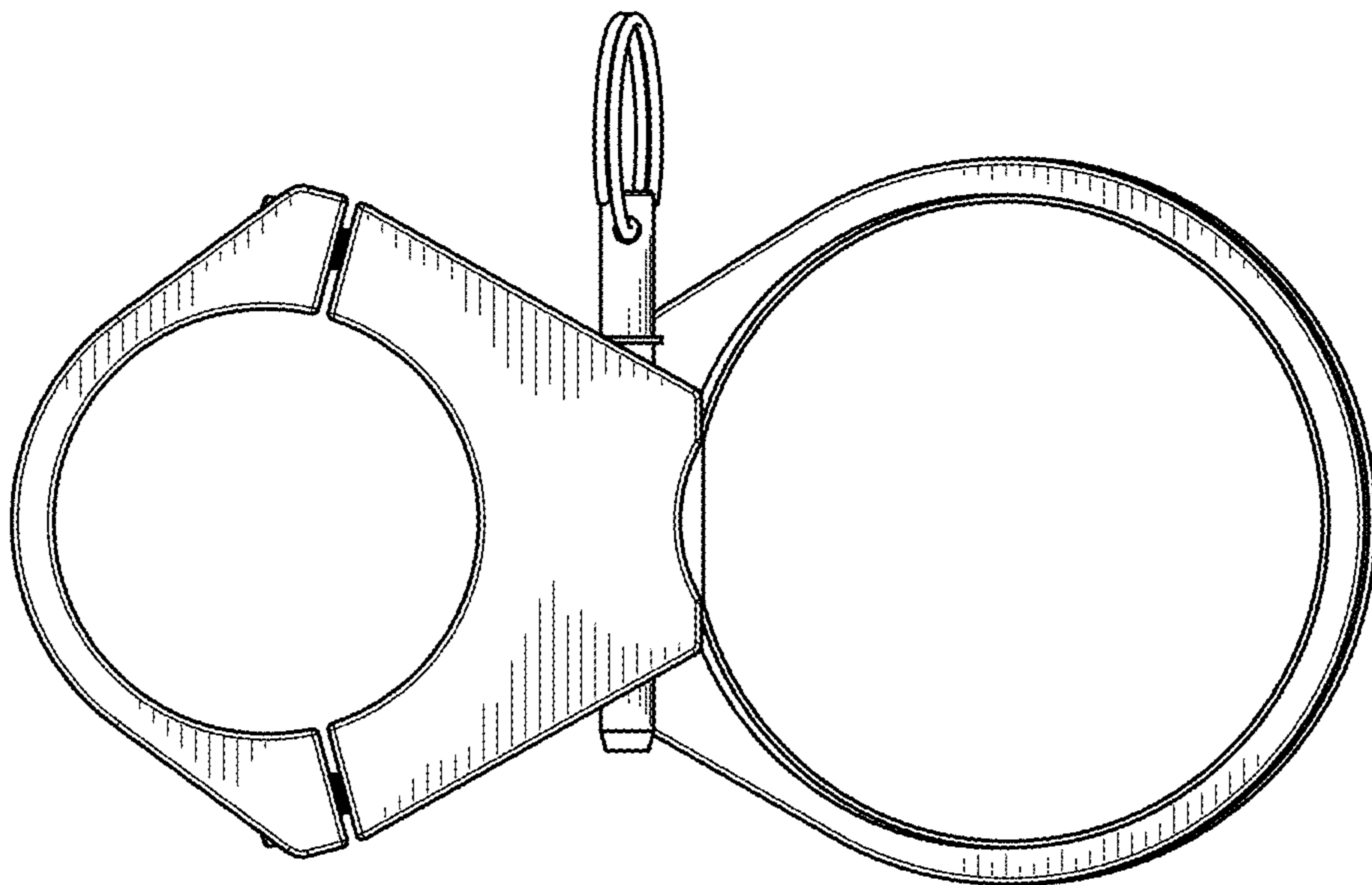


FIG. 7