



US00D773746S

(12) **United States Design Patent**  
**Velasquez**

(10) **Patent No.:** **US D773,746 S**

(45) **Date of Patent:** **\*\* Dec. 6, 2016**

(54) **PROTECTIVE HELMET**

(71) Applicant: **Michael Velasquez**, Tulsa, OK (US)

(72) Inventor: **Michael Velasquez**, Tulsa, OK (US)

(73) Assignee: **VeeBeeZee Licensing, LLC**, Tulsa, OK (US)

(\*\*) Term: **14 Years**

(21) Appl. No.: **29/522,283**

(22) Filed: **Mar. 30, 2015**

(51) **LOC (10) Cl.** ..... **09-02**

(52) **U.S. Cl.**

USPC ..... **D29/122**

(58) **Field of Classification Search**

USPC ..... D29/102-107, 122

CPC ..... A63B 71/10; A63B 71/222; A63B 71/04;

A63B 71/166; A63B 71/228; A63B 71/32;

A63B 71/105; A01K 55/00; A42B 3/222;

A42B 3/166; A42B 3/04; A42B

3/228; A42B 3/32; A42B 3/105

See application file for complete search history.

(56) **References Cited**

**U.S. PATENT DOCUMENTS**

D180,092 S \* 4/1957 McMurray ..... D29/106

6,209,139 B1 \* 4/2001 Schmidt ..... A42B 1/206

2/171.1

D476,776 S \* 7/2003 Finquel ..... D29/102

D490,572 S \* 5/2004 Finquel ..... D29/106

D504,543 S \* 4/2005 Strauss ..... D29/104

D518,241 S \* 3/2006 Finquel ..... D29/105

D532,161 S \* 11/2006 Finquel ..... D29/102

D549,394 S \* 8/2007 Broeckl ..... D29/102

D549,395 S \* 8/2007 Broeckl ..... D29/104

D559,468 S \* 1/2008 Broeckl ..... D29/105

D645,210 S \* 9/2011 Chilson ..... D29/106

D645,619 S \* 9/2011 Corey ..... D29/104

D690,470 S \* 9/2013 Manson ..... D29/102

D695,461 S \* 12/2013 Velasquez ..... D29/104

D745,998 S \* 12/2015 Sansalone ..... D29/102

\* cited by examiner

*Primary Examiner* — Ruth McInroy

(74) *Attorney, Agent, or Firm* — Crowe & Dunlevy, P.C.

(57) **CLAIM**

The ornamental design for a protective helmet, as shown and described.

**DESCRIPTION**

FIG. 1 is a left side view of a protective helmet showing my new design;

FIG. 2 is a right side view thereof;

FIG. 3 is a front view thereof;

FIG. 4 is a rear view thereof;

FIG. 5 is a top view thereof;

FIG. 6 is a bottom view thereof (dashed lines forming no part of the design);

FIG. 7 is a left side view of a second embodiment thereof;

FIG. 8 is a right side view of FIG. 7;

FIG. 9 is a front view of FIG. 7;

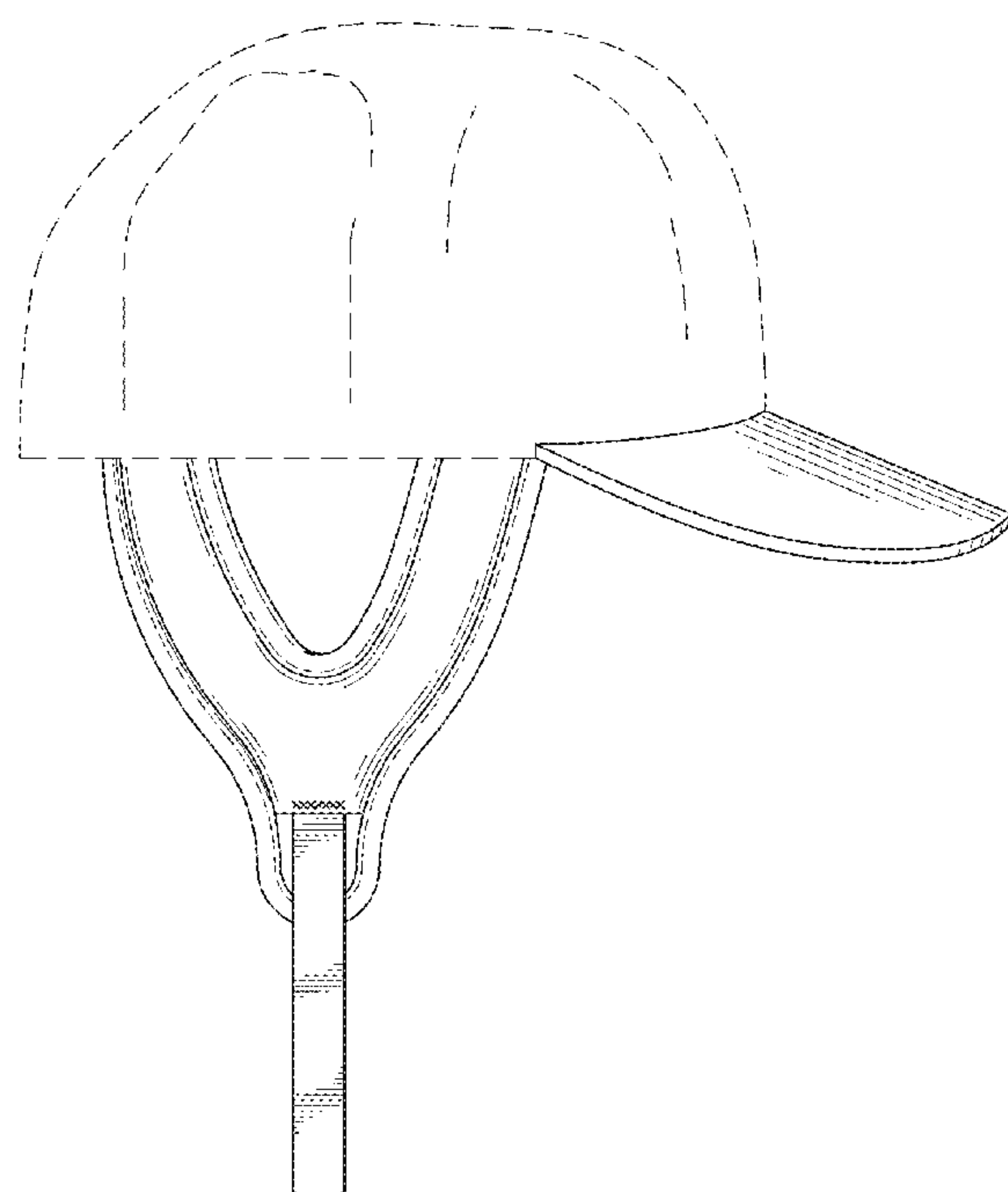
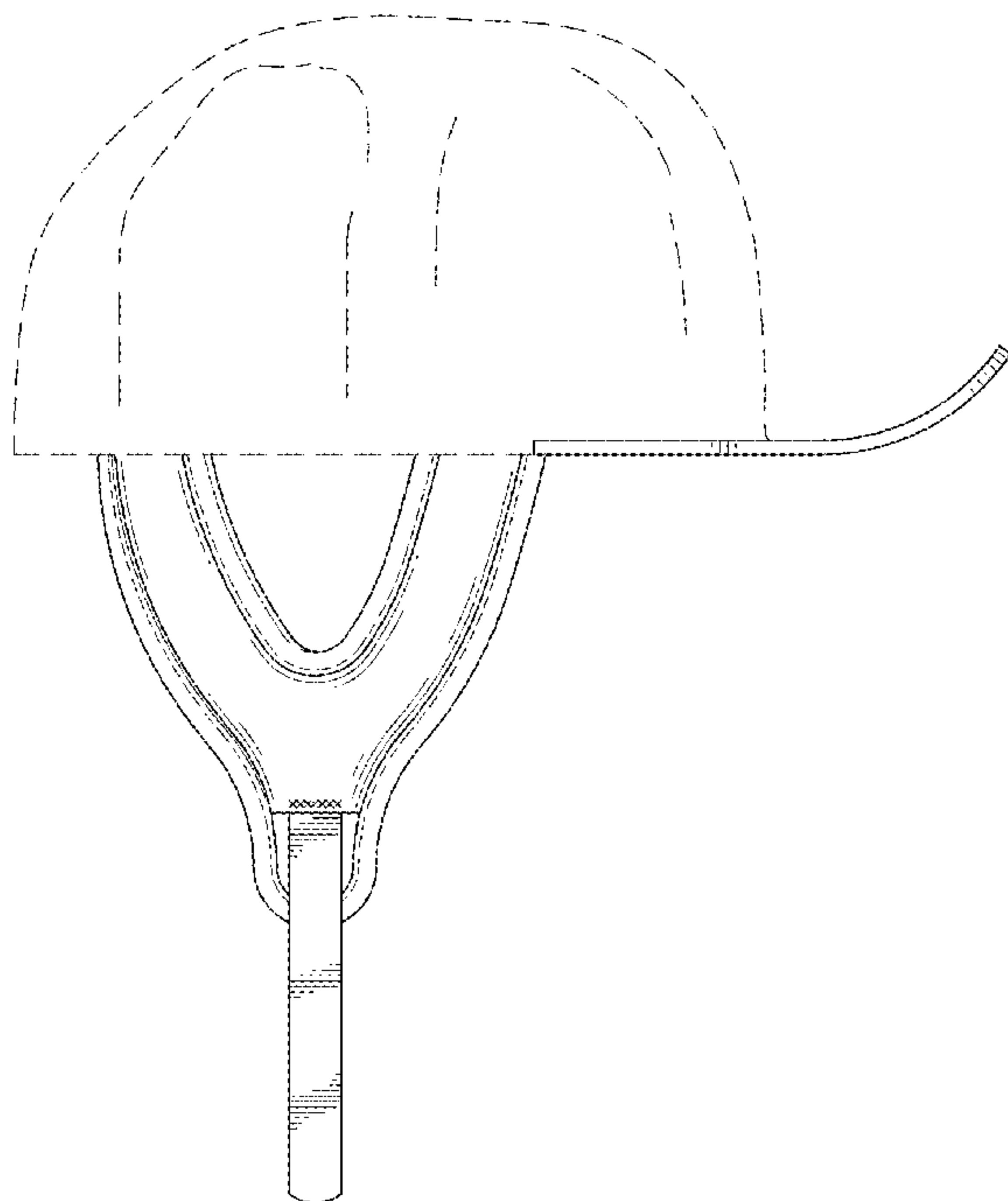
FIG. 10 is a rear view of FIG. 7;

FIG. 11 is a top view of FIG. 7; and,

FIG. 12 is a bottom view of FIG. 7.

The details shown in broken lines form no part of the claimed design.

**1 Claim, 8 Drawing Sheets**



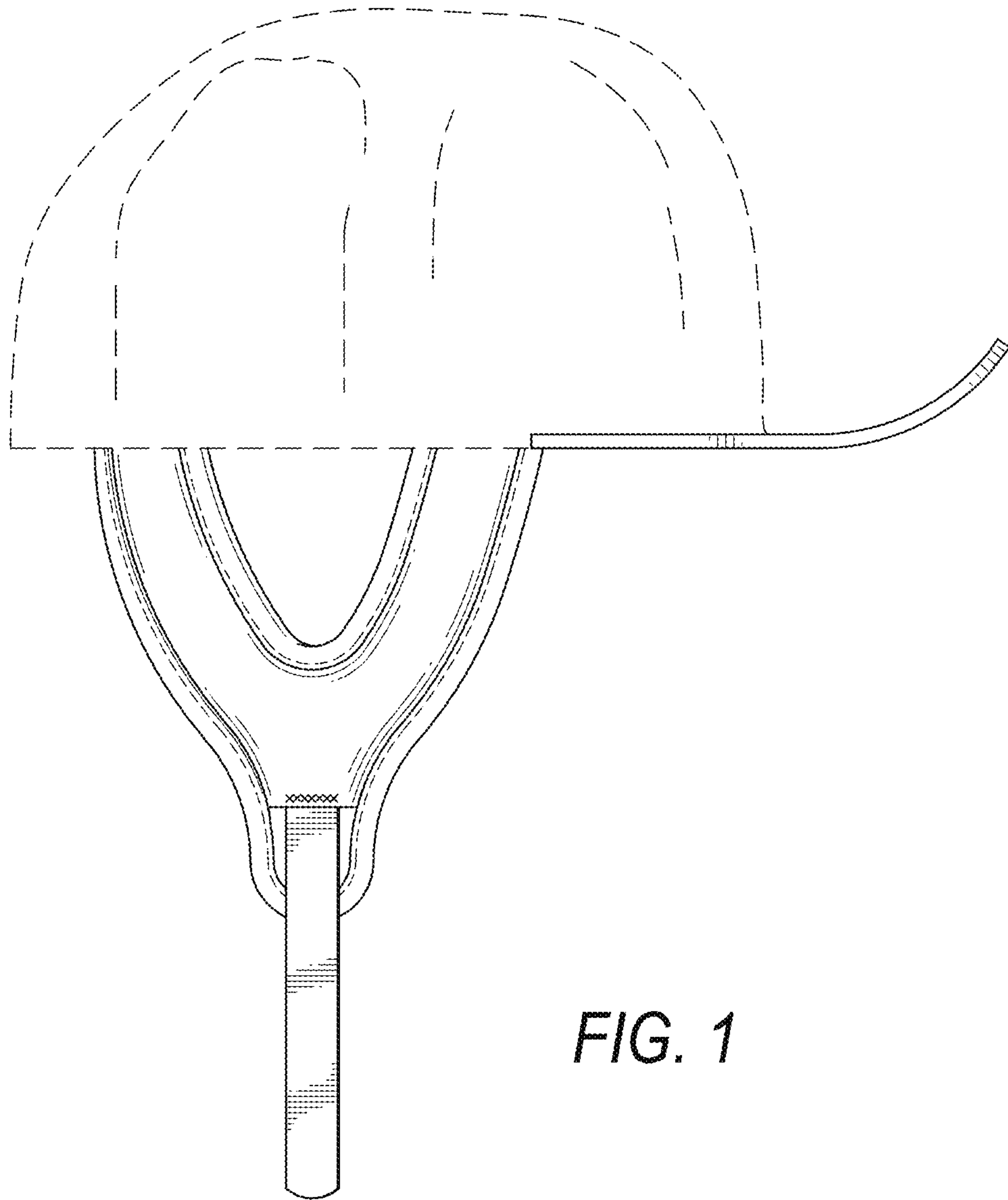


FIG. 1

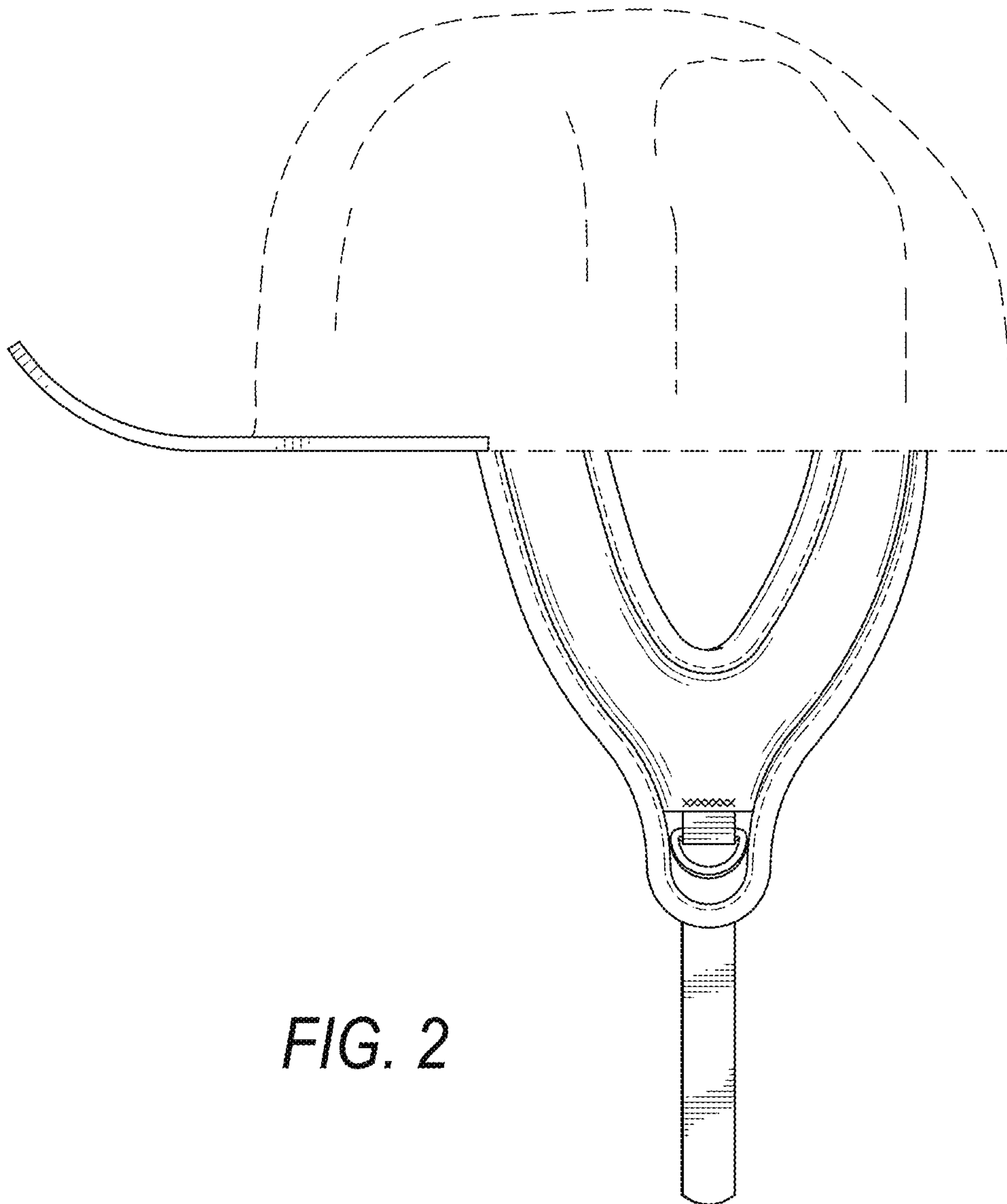


FIG. 2

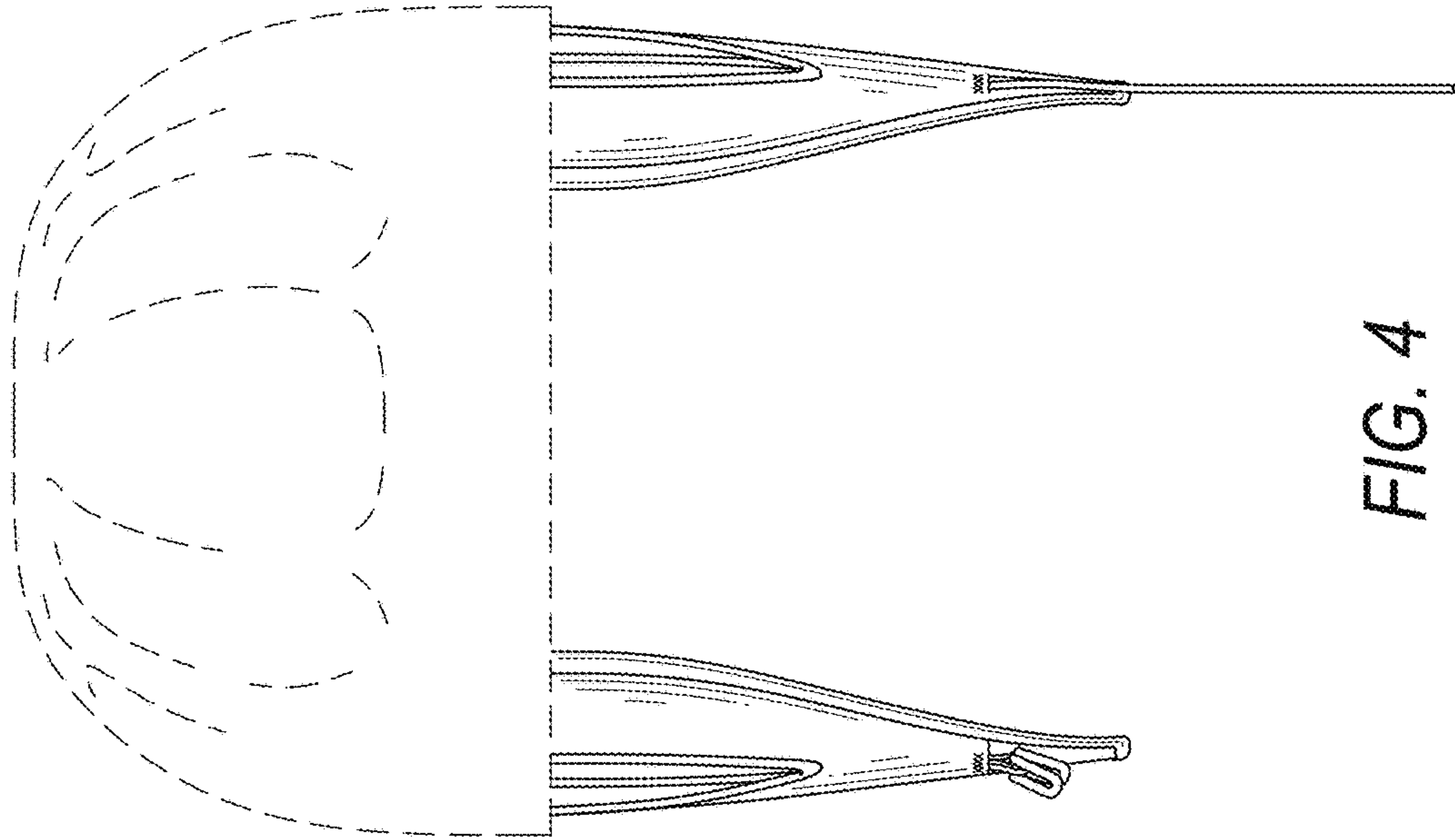


FIG. 4

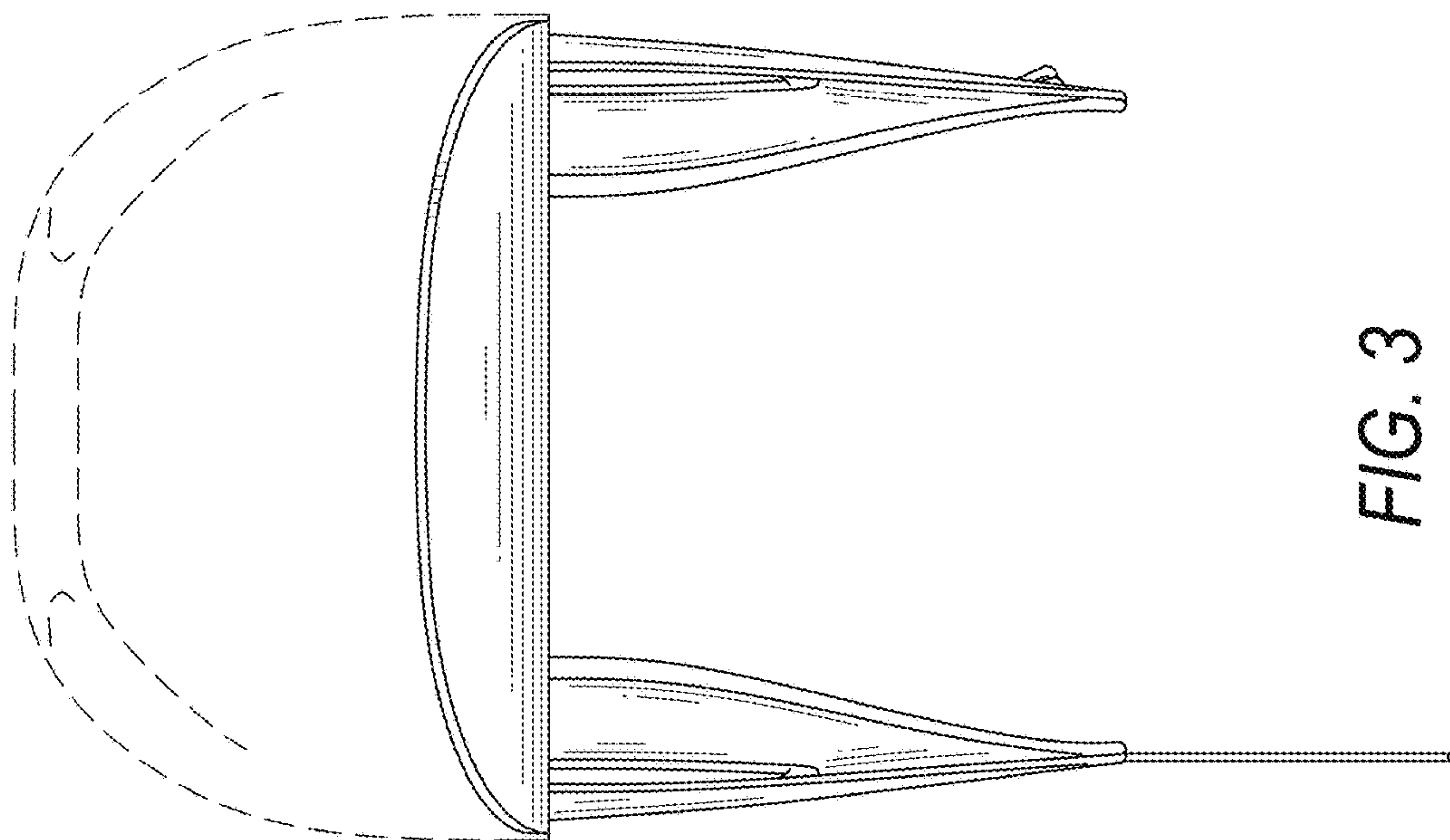


FIG. 3

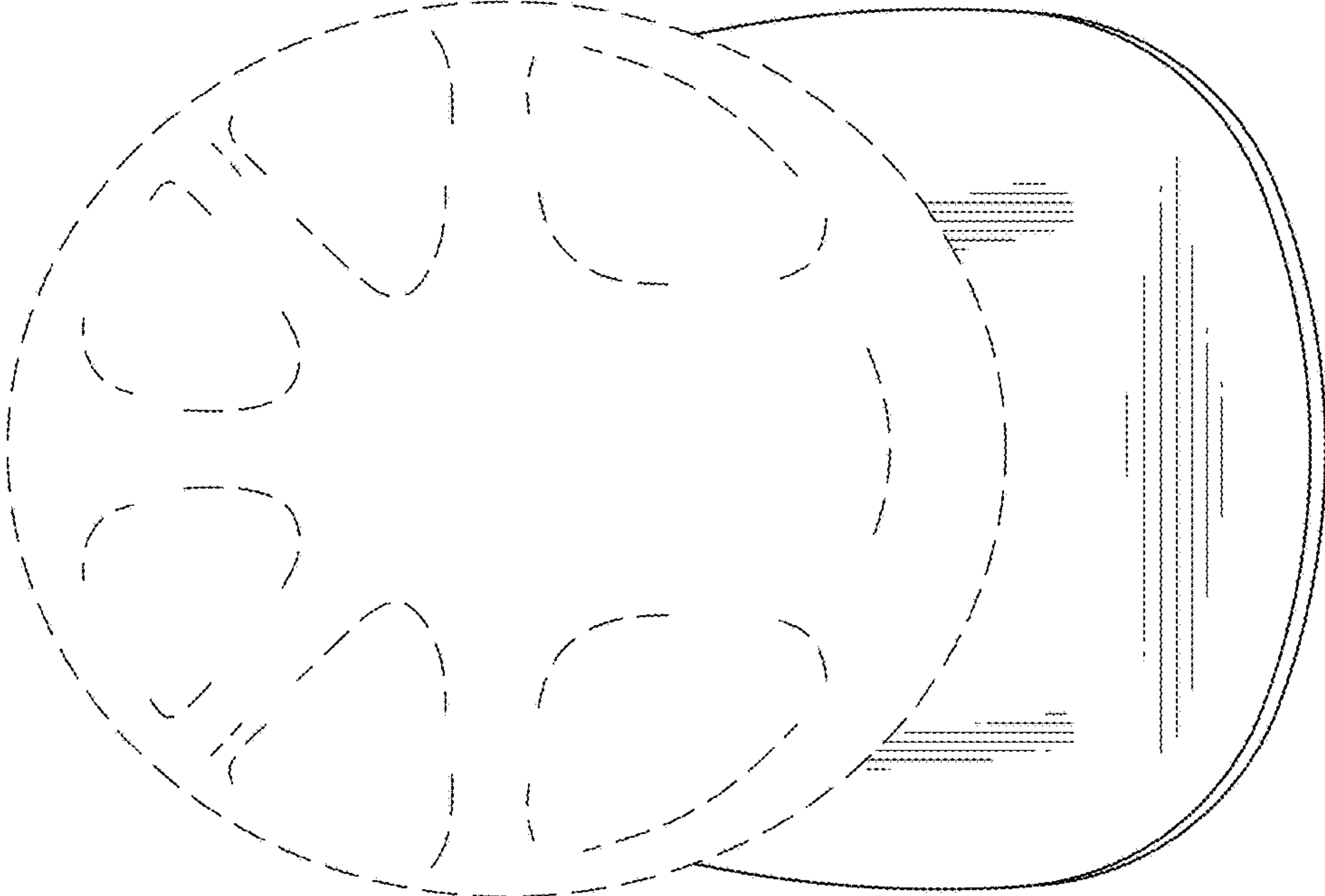


FIG. 5

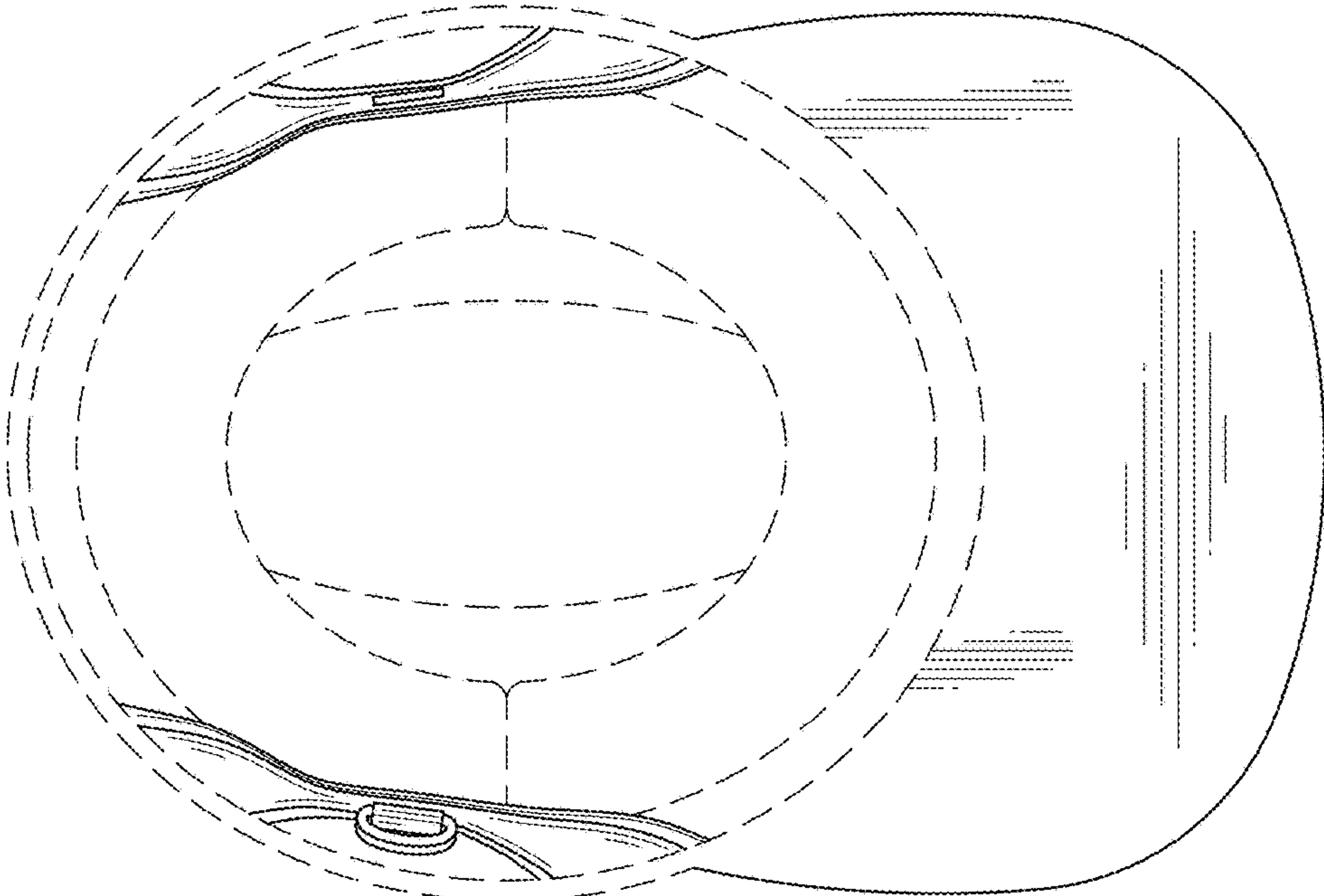


FIG. 6



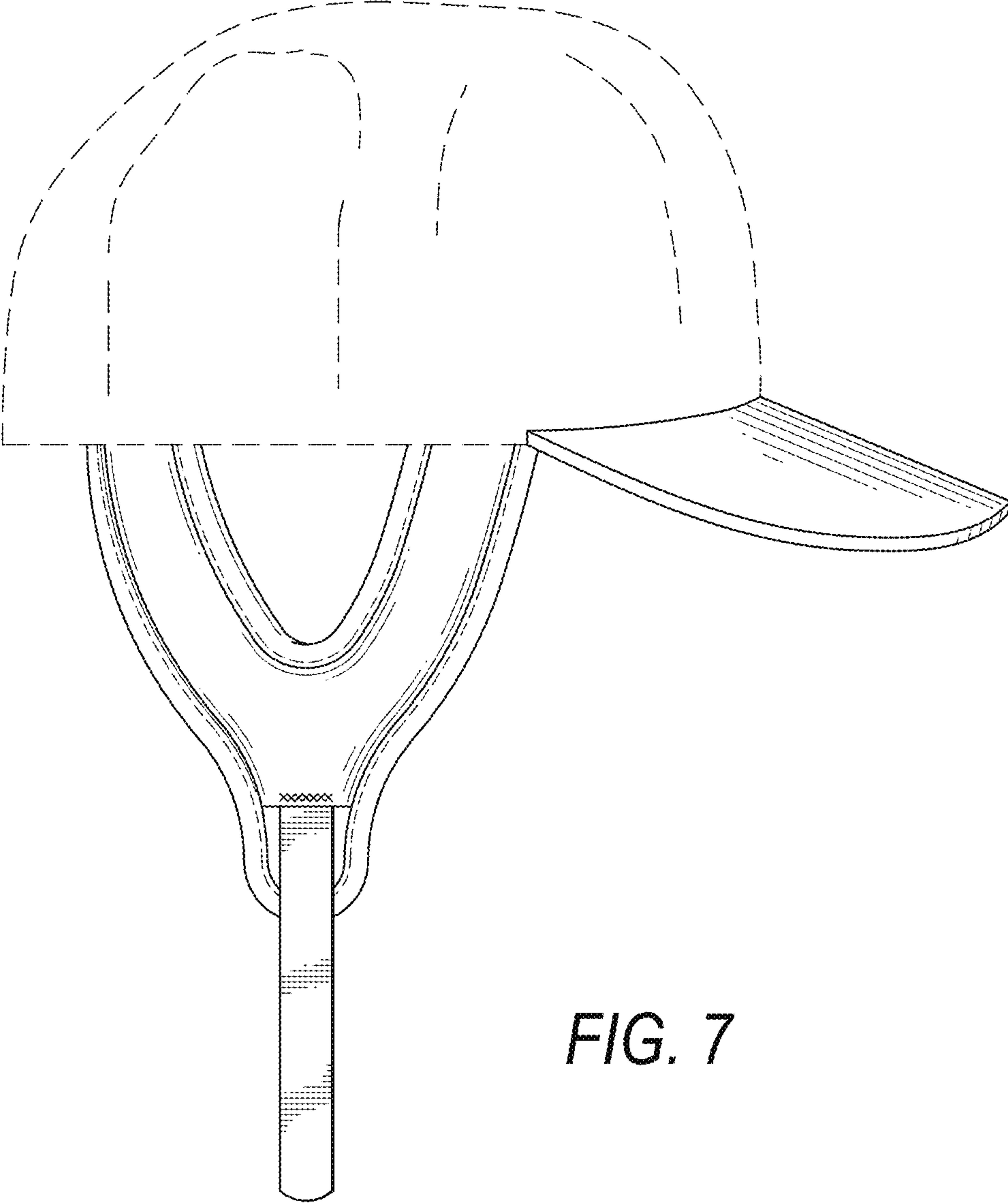


FIG. 7

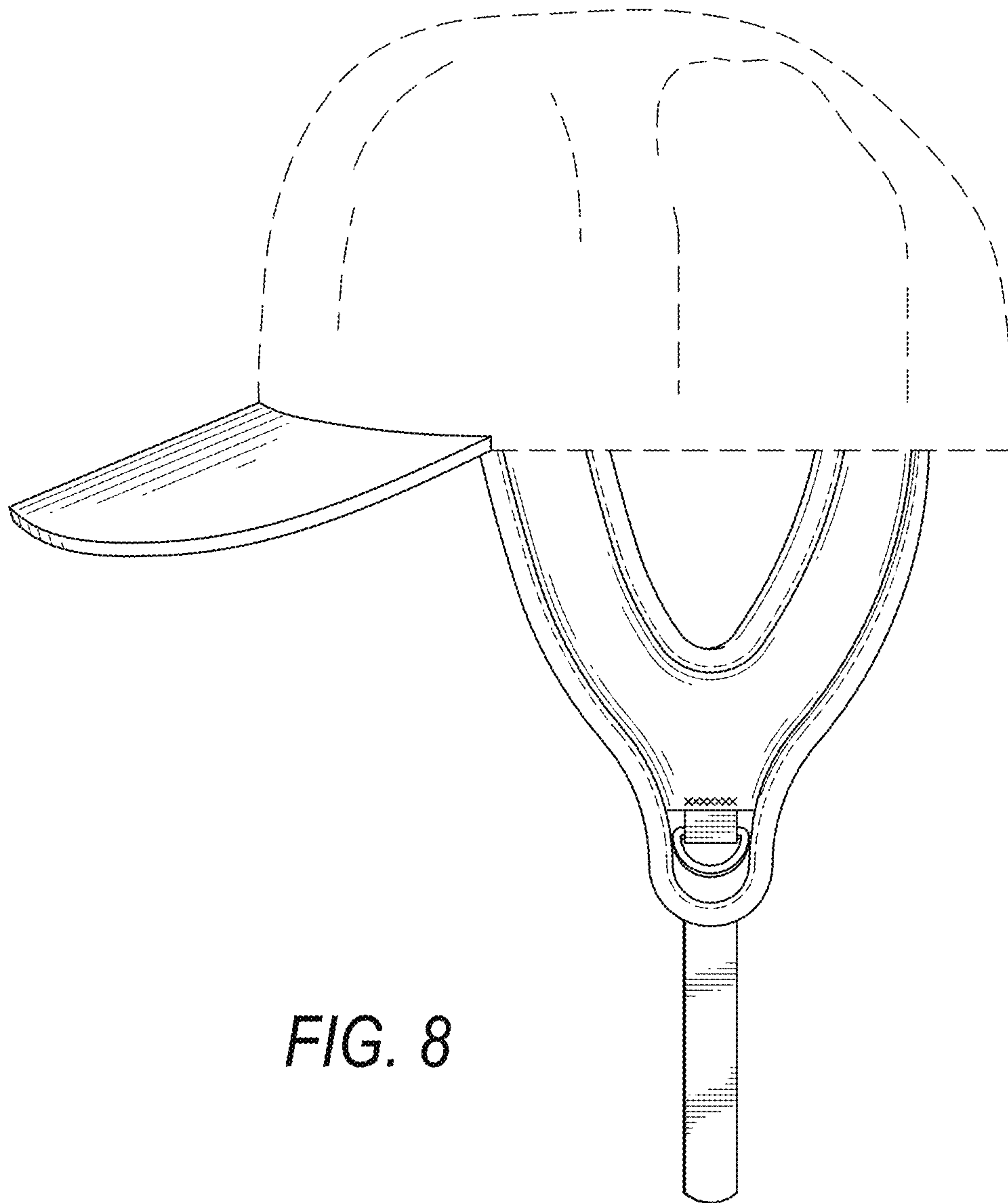


FIG. 8

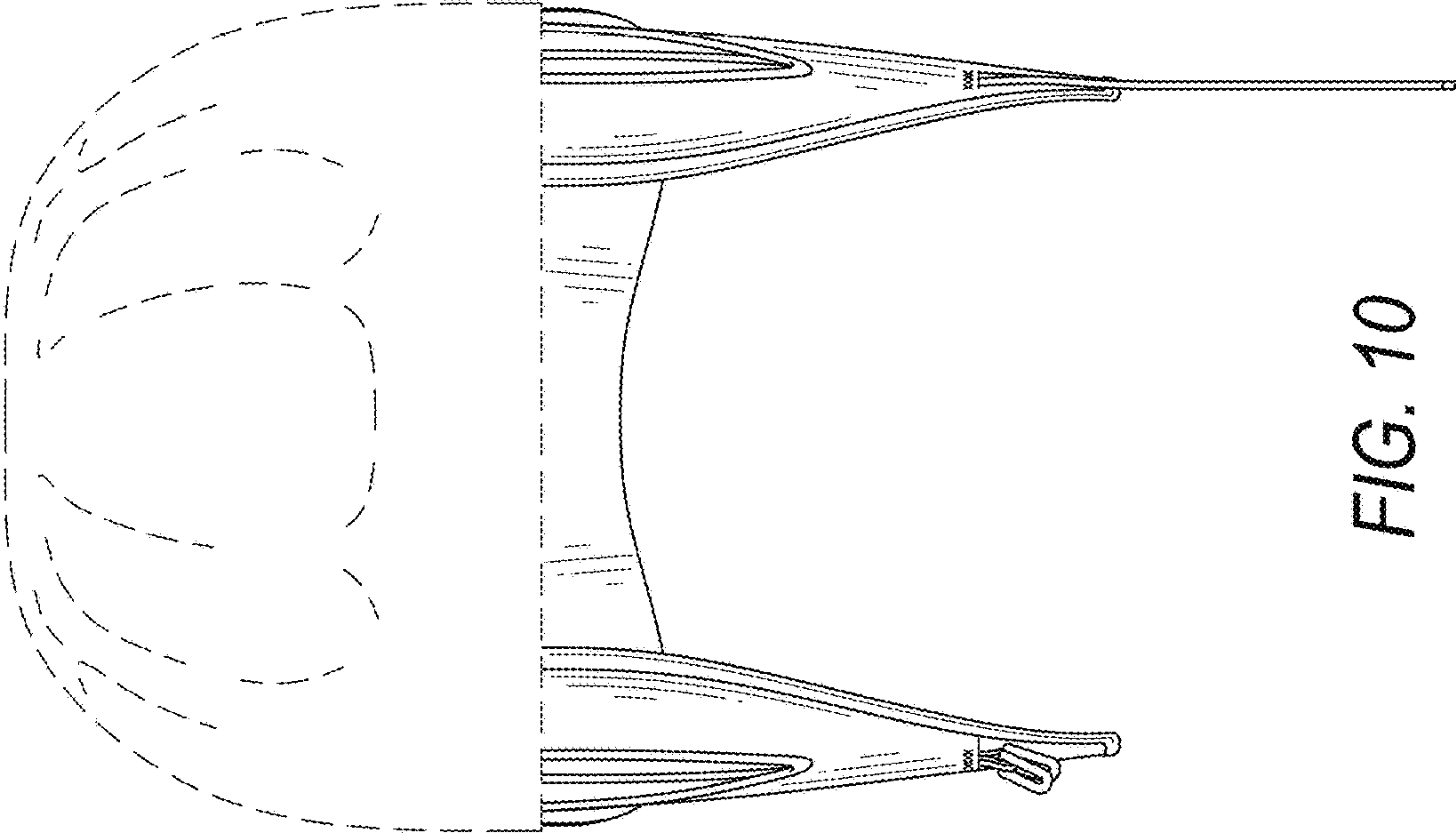


FIG. 9

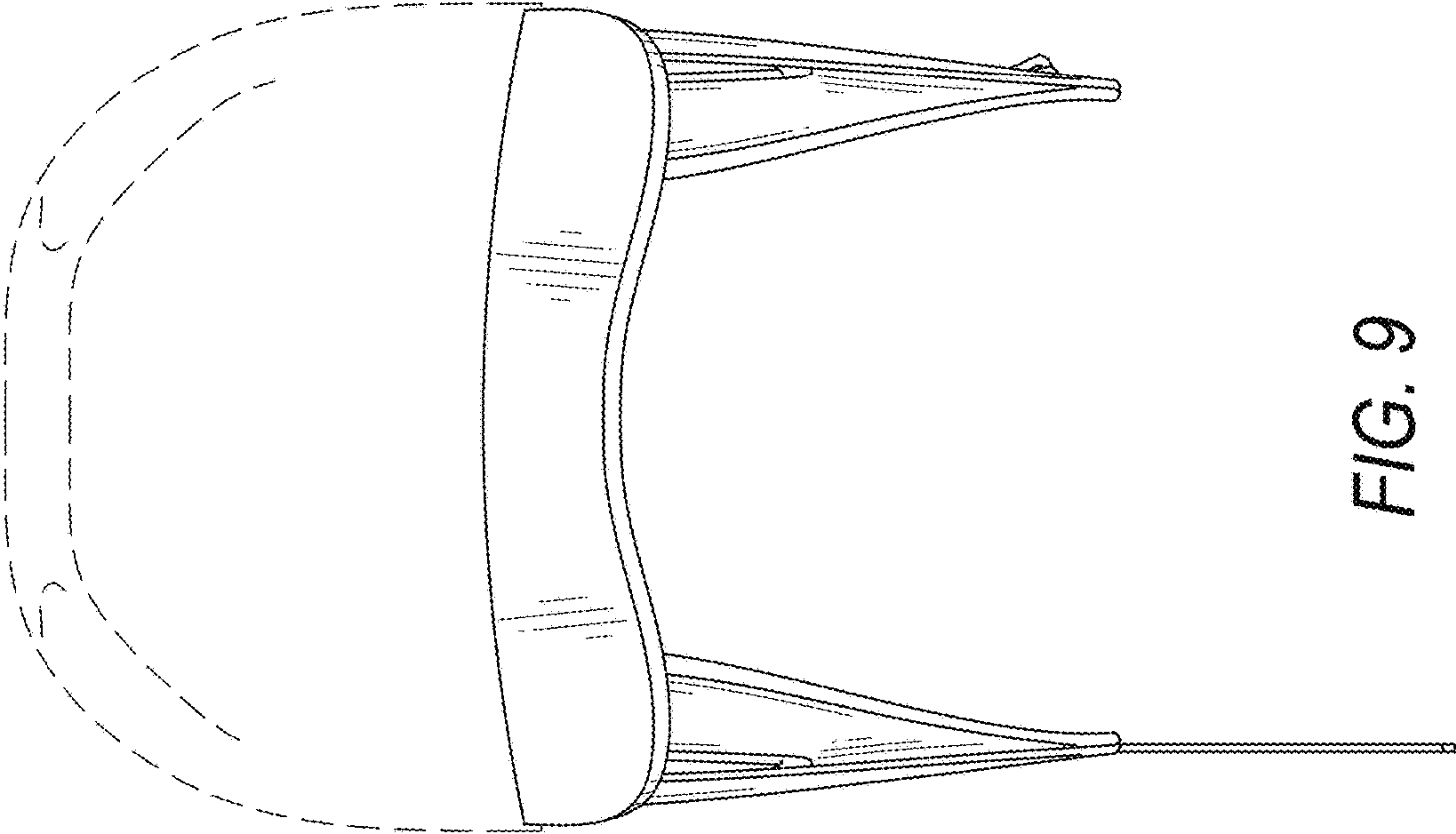


FIG. 10



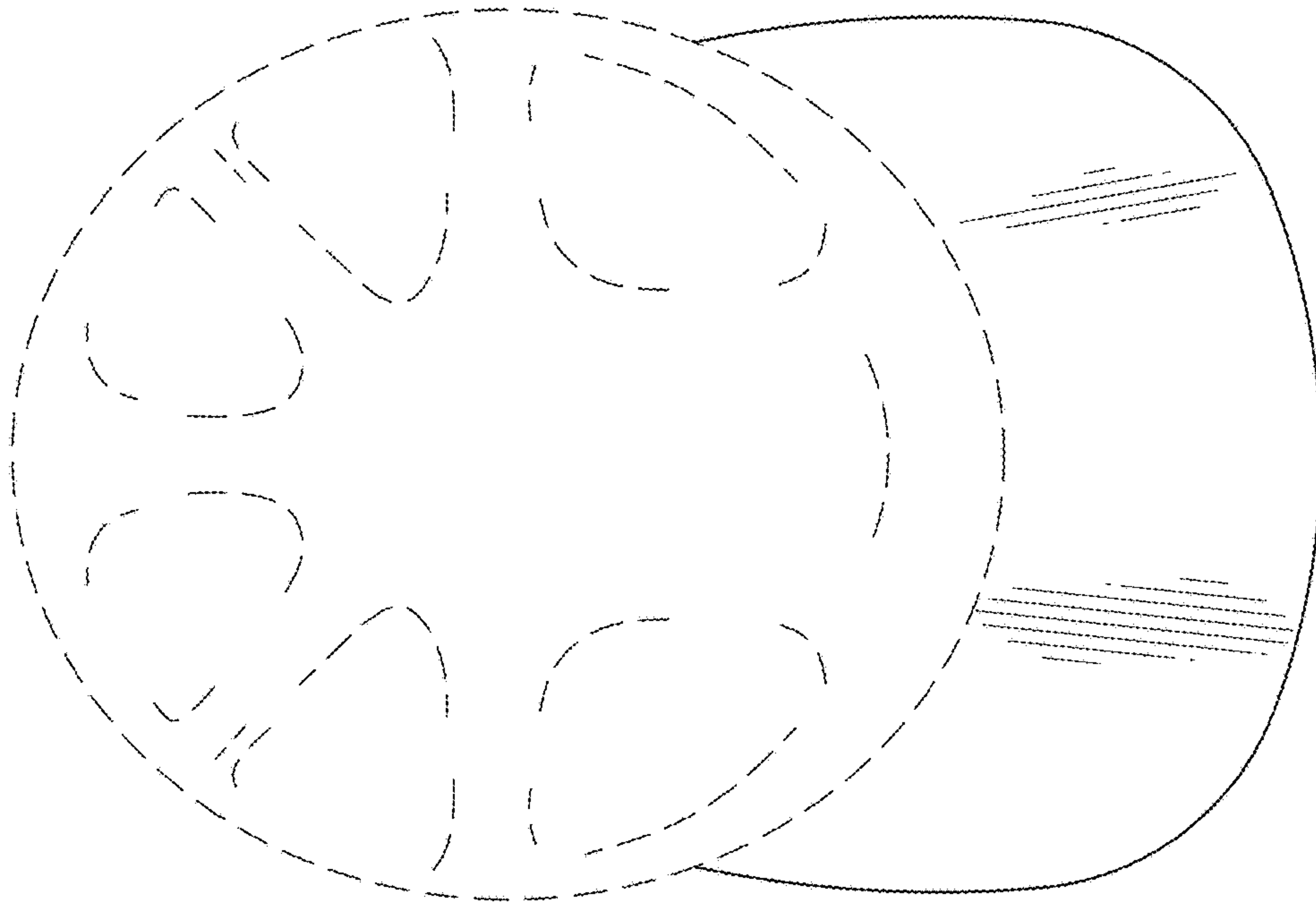


FIG. 11

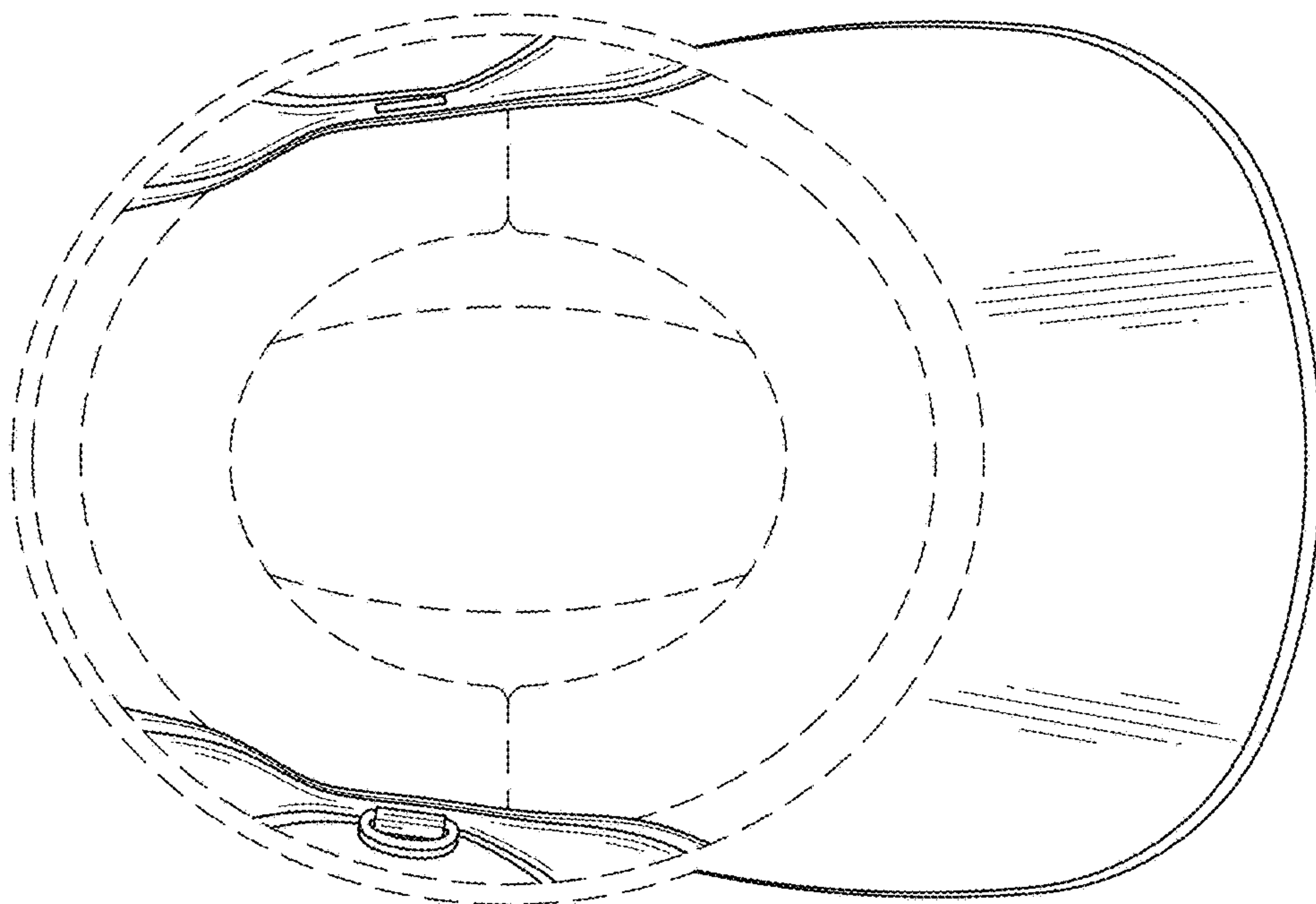


FIG. 12