



US00D773740S

(12) **United States Design Patent** (10) **Patent No.:** **US D773,740 S**  
**Clark et al.** (45) **Date of Patent:** **\*\* Dec. 6, 2016**

(54) **RADIATION PROTECTIVE HEADWEAR**

D547,030 S \* 7/2007 Marquardt ..... D2/867  
D584,000 S \* 12/2008 Saluan ..... D29/106  
9,149,393 B2 \* 10/2015 Cumming ..... A61F 13/12  
D756,610 S \* 5/2016 Taylor ..... D2/867

(71) Applicant: **Virginia Commonwealth University**,  
Richmond, VA (US)

\* cited by examiner

(72) Inventors: **Sonya Clark**, Richmond, VA (US);  
**Jordana Kron**, Henrico County, VA  
(US); **John Reavey-Cantwell**, Henrico  
County, VA (US)

*Primary Examiner* — Robert Delehanty  
(74) *Attorney, Agent, or Firm* — Whitham, Curtis &  
Cook, P.C.

(73) Assignee: **Virginia Commonwealth University**,  
Richmond, VA (US)

(57) **CLAIM**

We claim the ornamental design for radiation protective  
headwear, as shown and described.

(\*\*) Term: **15 Years**

**DESCRIPTION**

(21) Appl. No.: **29/539,906**

(22) Filed: **Sep. 18, 2015**

(51) **LOC (10) Cl.** ..... **29-02**

(52) **U.S. Cl.**  
USPC ..... **D29/102; D2/865**

(58) **Field of Classification Search**  
USPC ..... D29/102-107, 122  
CPC ..... A63B 71/10; A42B 1/043; A42B 1/06;  
A42B 1/004; A42B 1/006  
See application file for complete search history.

FIG. 1 is a front view of a radiation protective headwear in  
a state of use in which it is worn on a user's head;  
FIG. 2 is a top view, off-center to the right, of the radiation  
protective headwear in a state of use in which it is worn on  
a user's head, a top view off-center to the left being a mirror  
image thereof;  
FIG. 3 is a right side view of the radiation protective  
headwear in a state of use in which it is worn on a user's  
head;  
FIG. 4 is a left side view of the radiation protective headwear  
in a state of use in which it is worn on a user's head;  
FIG. 5 is a rear view of the radiation protective headwear in  
a state of use in which it is worn on a user's head; and,  
FIG. 6 is a rear-right side perspective view of the radiation  
protective headwear in a state of use in which it is worn on  
a user's head, a rear-left side perspective view being a mirror  
image thereof.

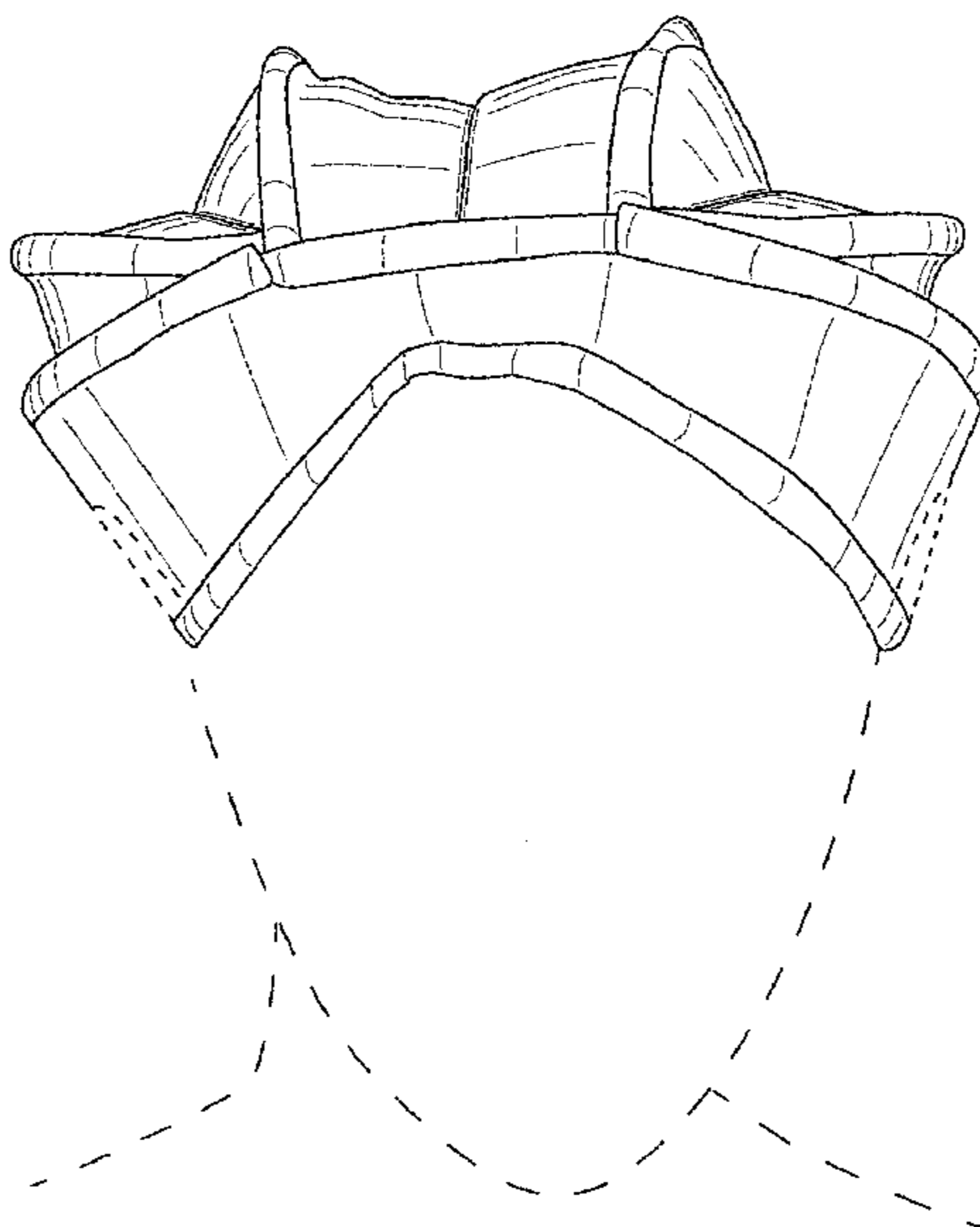
The broken lines illustrate environment which forms no part  
of what is claimed or parts of the article which form no part  
of the claimed design.

(56) **References Cited**

**U.S. PATENT DOCUMENTS**

824,274 A \* 6/1906 Banks ..... A42B 1/043  
2/200.3  
D164,752 S \* 10/1951 Williams ..... D2/867  
3,384,904 A \* 5/1968 Hofmann ..... A42B 1/06  
2/195.7  
D214,482 S \* 6/1969 Zimmon et al. .... D2/867  
D357,792 S \* 5/1995 Cromer ..... D2/867  
D399,993 S \* 10/1998 Delgado ..... D2/881

**1 Claim, 6 Drawing Sheets**



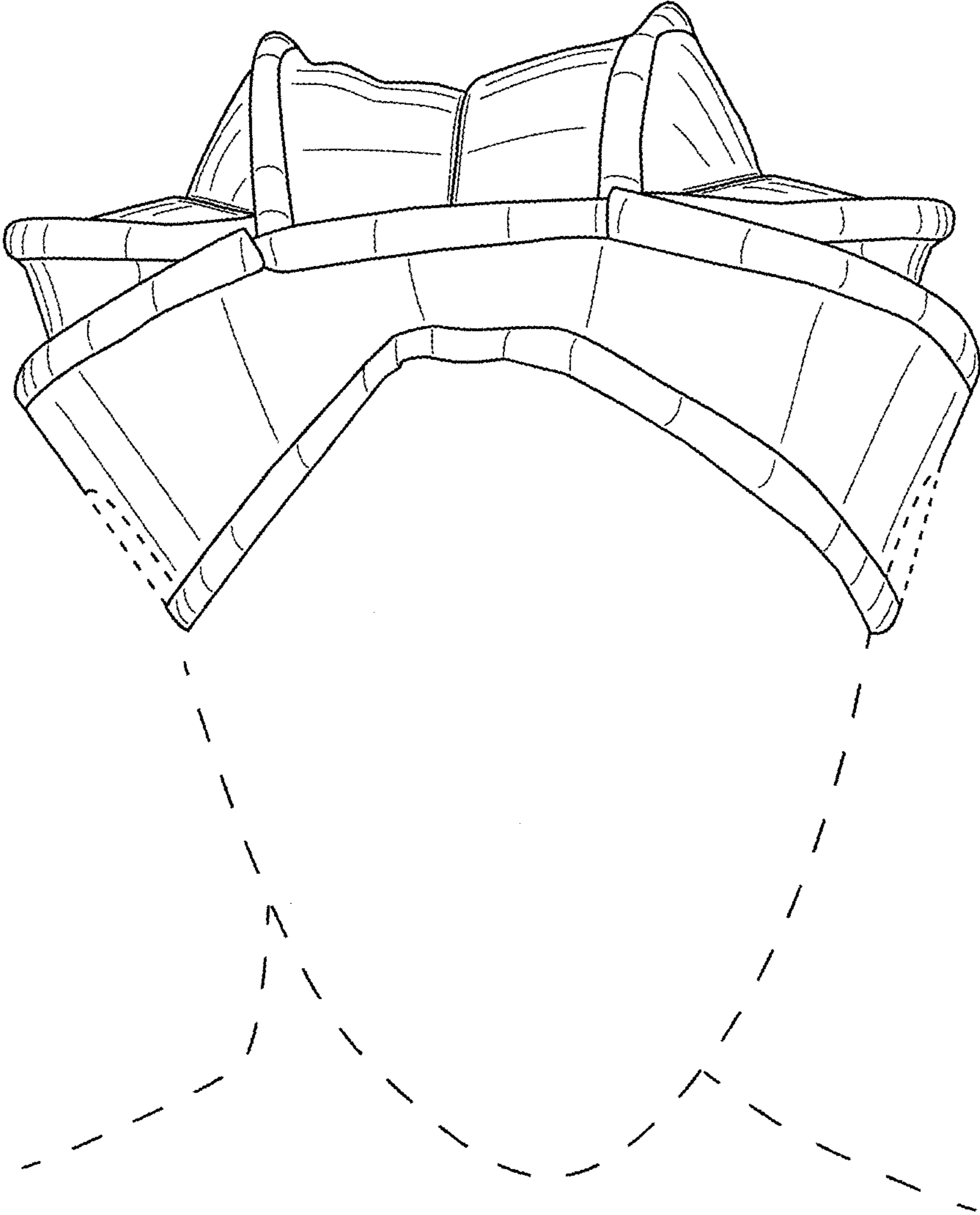


Figure 1

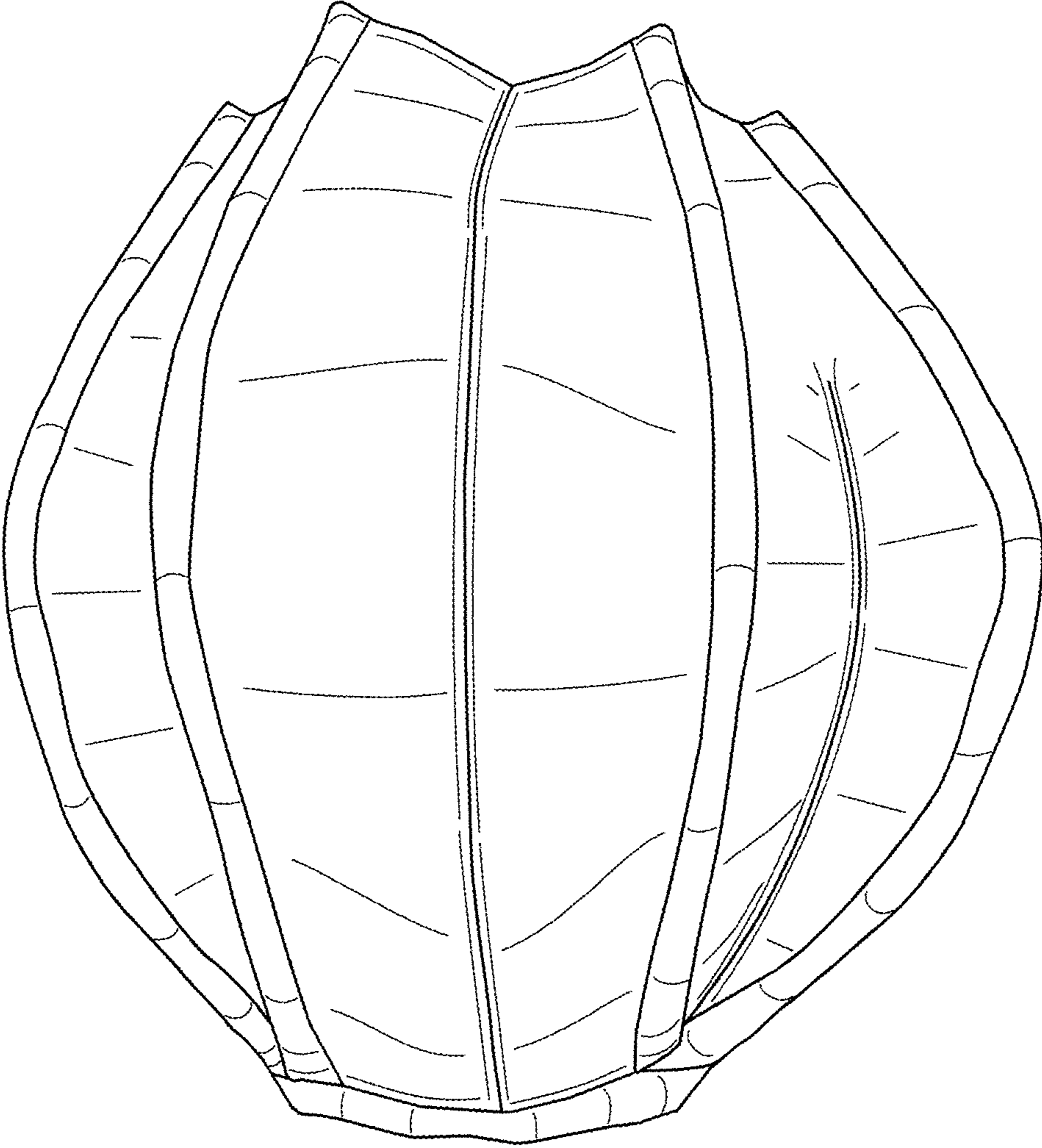


Figure 2

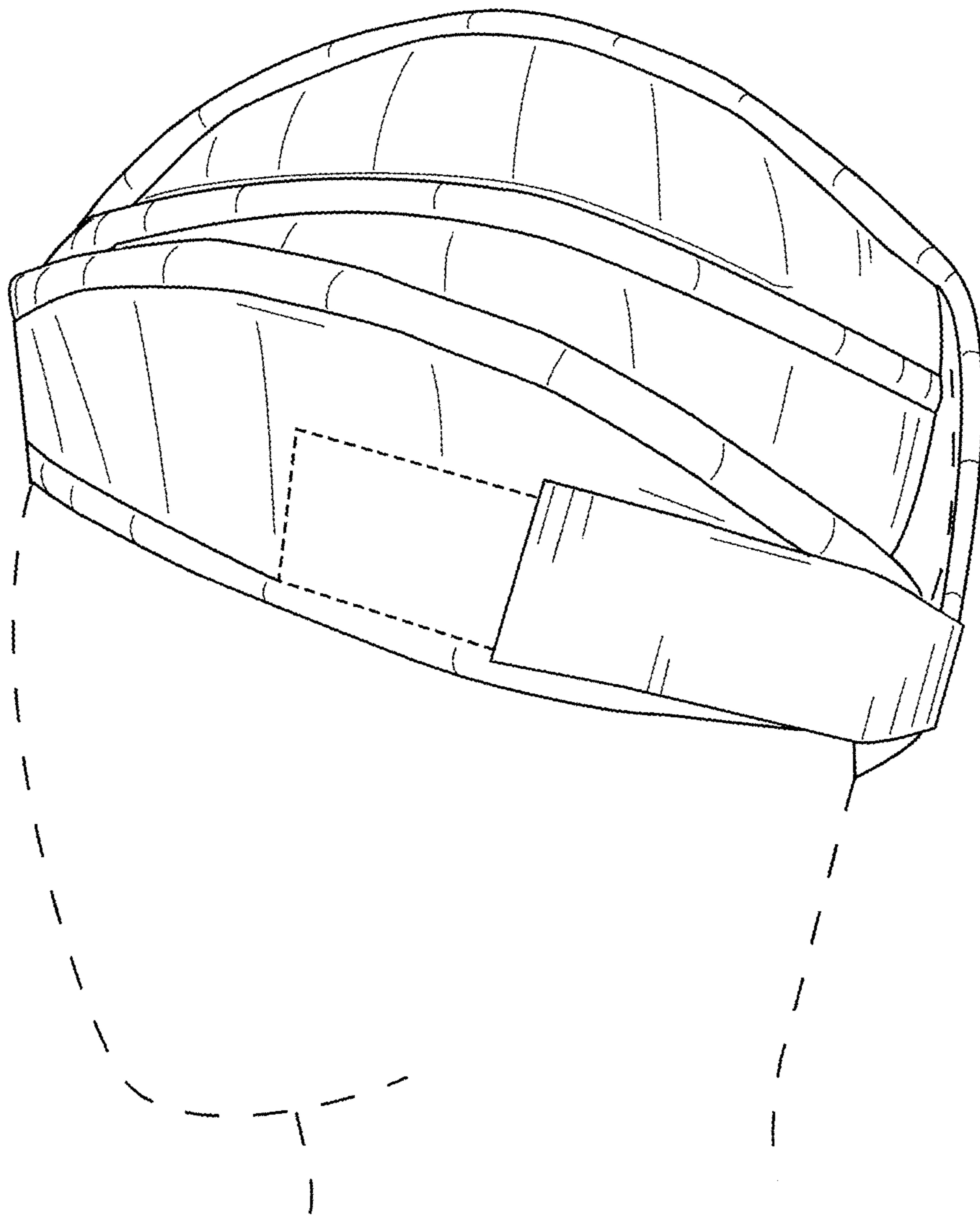


Figure 3

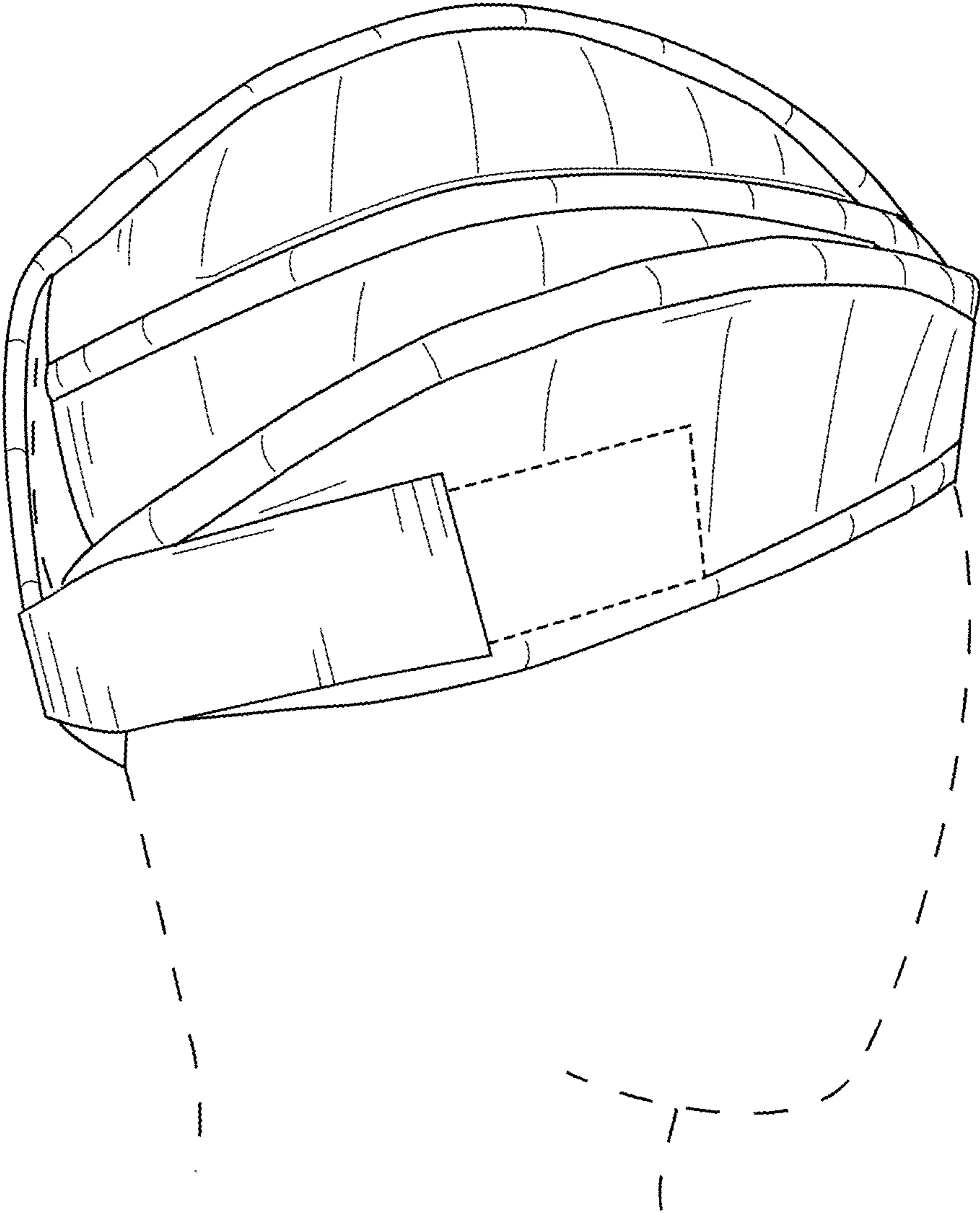


Figure 4

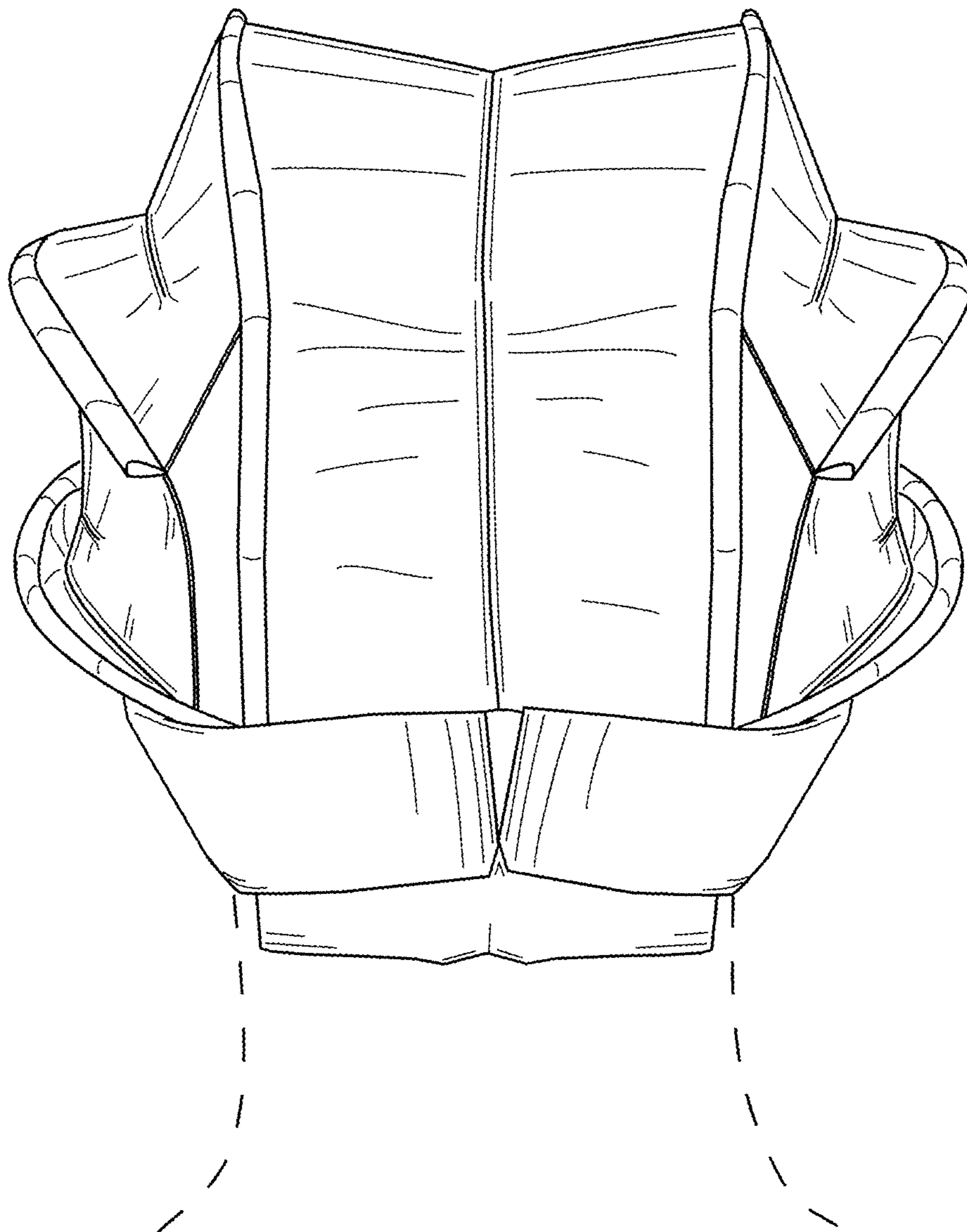


Figure 5

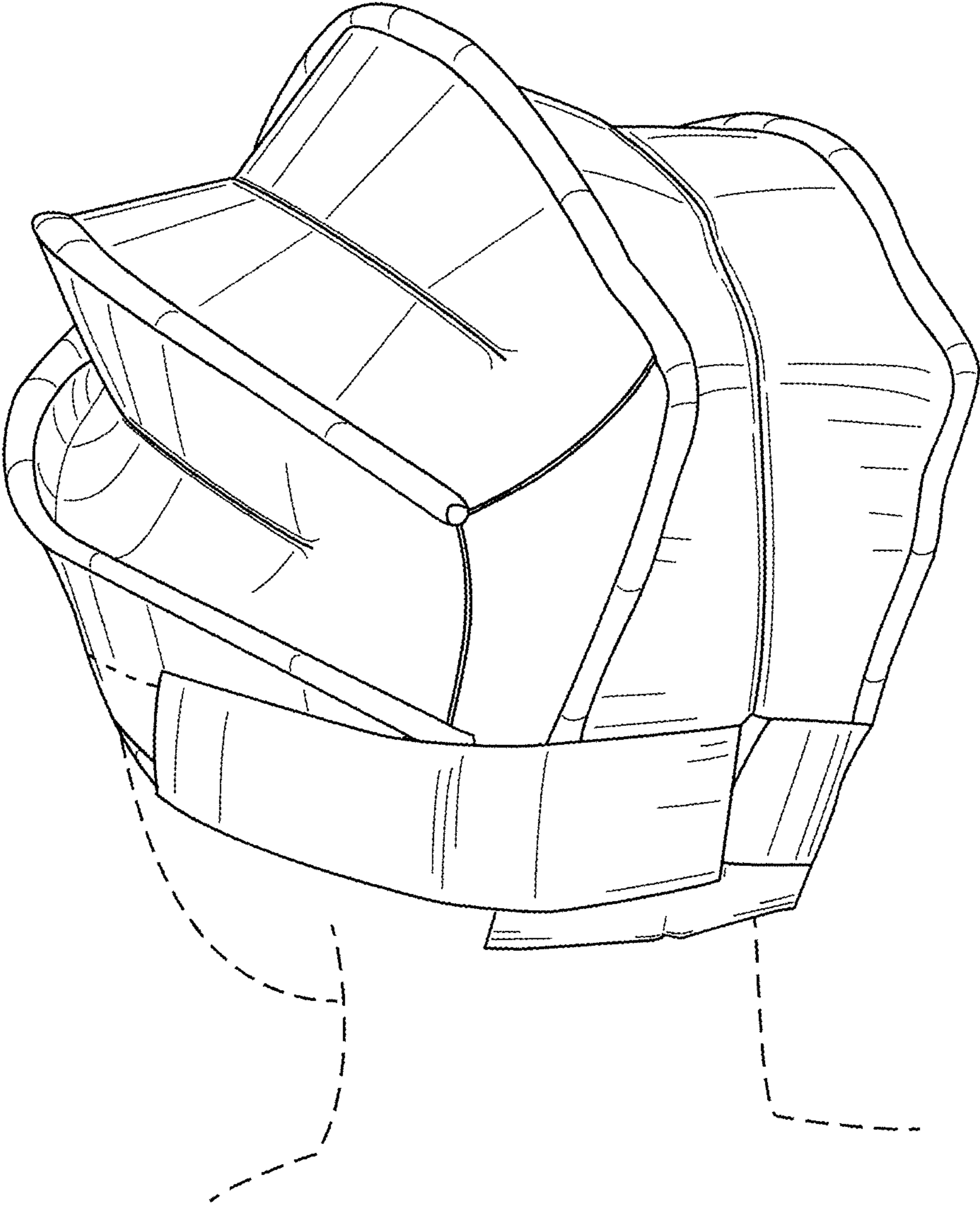


Figure 6