



US00D773737S

(12) **United States Design Patent**
Searle et al.

(10) **Patent No.:** **US D773,737 S**
(45) **Date of Patent:** **** Dec. 6, 2016**

(54) **PROTECTIVE UNDERGARMENT**
(71) Applicant: **BCB International Limited**, Cardiff (GB)
(72) Inventors: **Matthew Searle**, Somerset (GB); **Christopher Mark Lewis**, Cardiff (GB)
(73) Assignee: **BCB International Limited**, Cardiff (GB)

7,891,026 B1 * 2/2011 Smith A41D 13/0506
2/465
7,917,971 B2 * 4/2011 Kamradt A41D 13/0543
2/2.5
D666,774 S * 9/2012 Miller D29/101.5
8,535,364 B2 * 9/2013 Margolis A61F 7/10
2/400
8,646,116 B2 * 2/2014 Crye A41D 13/0525
2/2.5

(**) Term: **14 Years**
(21) Appl. No.: **29/500,337**

* cited by examiner

Primary Examiner — Randall Gholson
(74) *Attorney, Agent, or Firm* — McClure, Qualey & Rodack, LLP

(22) Filed: **Aug. 25, 2014**
(51) **LOC (10) Cl.** **29-02**
(52) **U.S. Cl.**
USPC **D29/101.5**
(58) **Field of Classification Search**
USPC D29/10, 11, 100, 101.5, 122; D2/711,
D2/713; 128/96.1, 98.1, 846, 891; 602/67,
68, 602/7, 72, 73, 96, 108, 114; 2/2, 455
CPC F41H 1/00; F41H 1/02
See application file for complete search history.

(57) **CLAIM**

The ornamental design for a protective undergarment, as shown and described.

DESCRIPTION

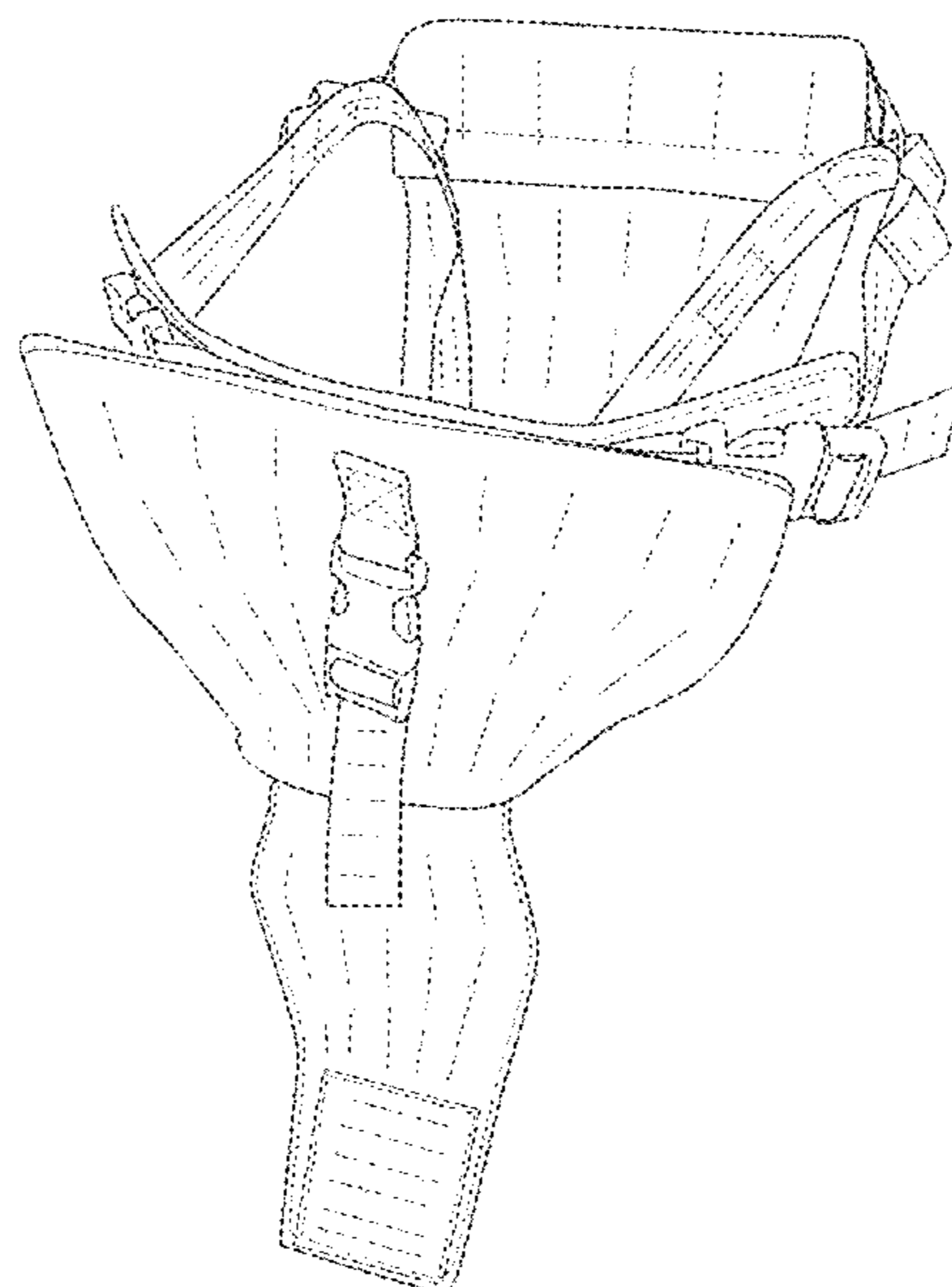
FIG. 1 is a front perspective view of a protective undergarment with the front flap open showing our new design; FIG. 2 is a top perspective view thereof with the front flap engaged; FIG. 3 is a top plan view thereof with the front and rear portions engaged; FIG. 4 is a front schematic view of the front portion; FIG. 5 is a front schematic view of the rear portion; FIG. 6 is a top perspective view of the front portion with the rear portion disengaged; FIG. 7 is a back perspective view of the front portion; FIG. 8 is a front elevational view of the undergarment; FIG. 9 is a rear elevational view thereof; FIG. 10 is a right side elevational view thereof; FIG. 11 is a left side elevational view thereof; and, FIG. 12 is a bottom plan view thereof.

(56) **References Cited**

U.S. PATENT DOCUMENTS

1,720,439 A * 7/1929 Richardson A63B 71/12
128/883
2,266,062 A * 12/1941 Montmarquet A61F 5/03
152/2
4,453,541 A * 6/1984 Castelli A61F 5/40
602/72
D403,487 S * 1/1999 Crupi D2/711
5,884,340 A * 3/1999 Chen A41D 7/006
2/267
7,418,743 B2 * 9/2008 Tsujimoto A63B 71/1216
2/466

1 Claim, 11 Drawing Sheets



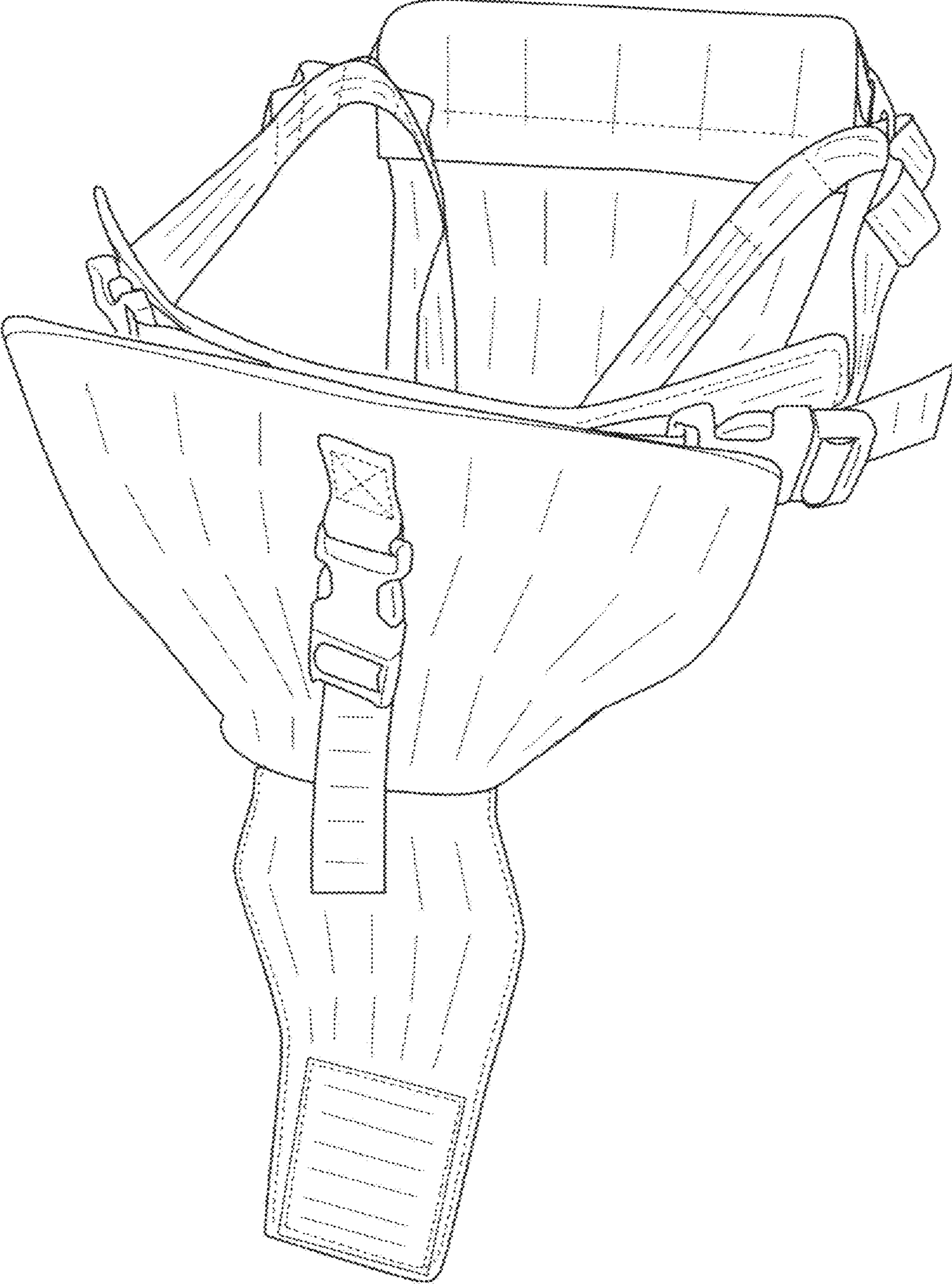


FIG. 1

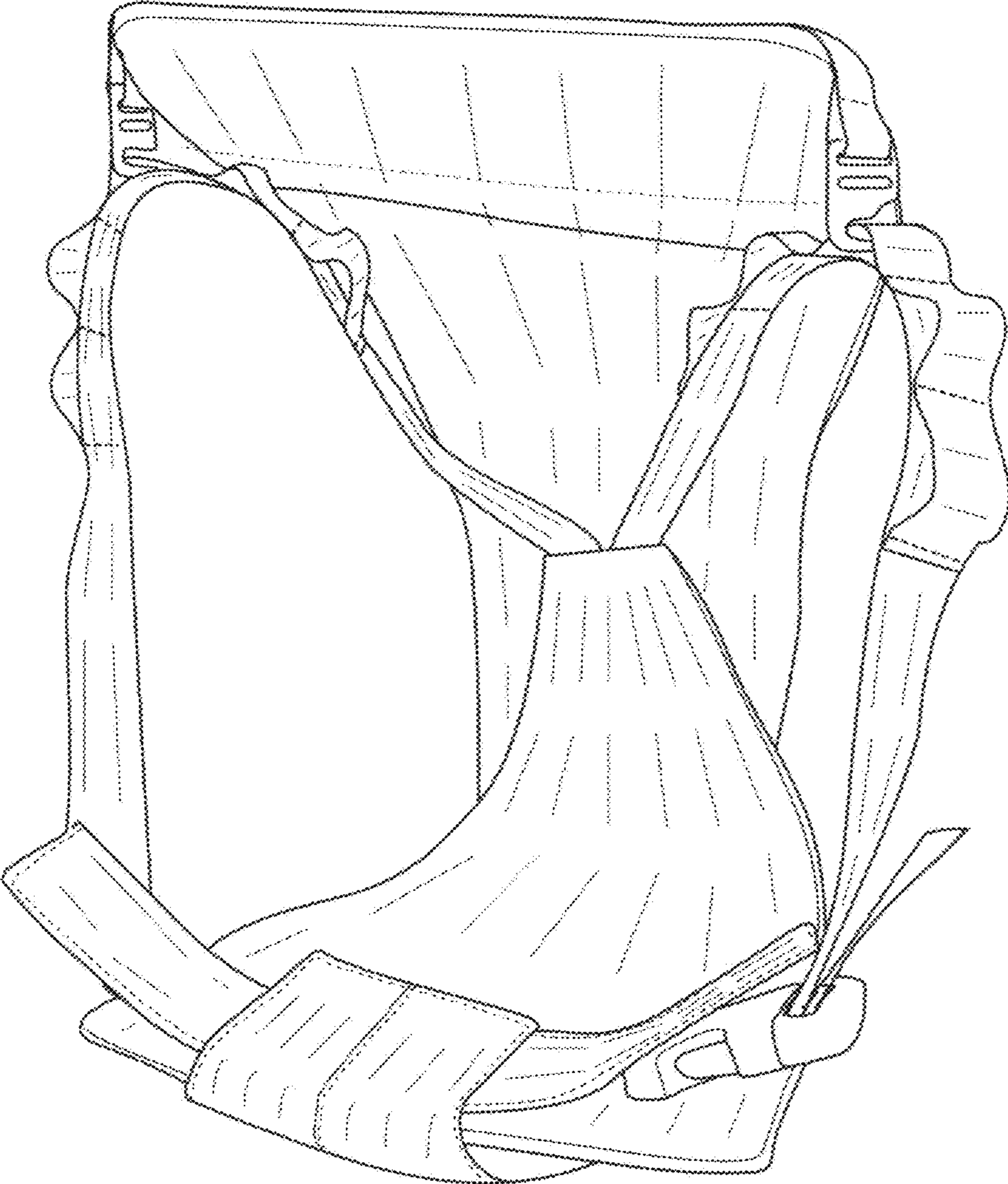


FIG. 2

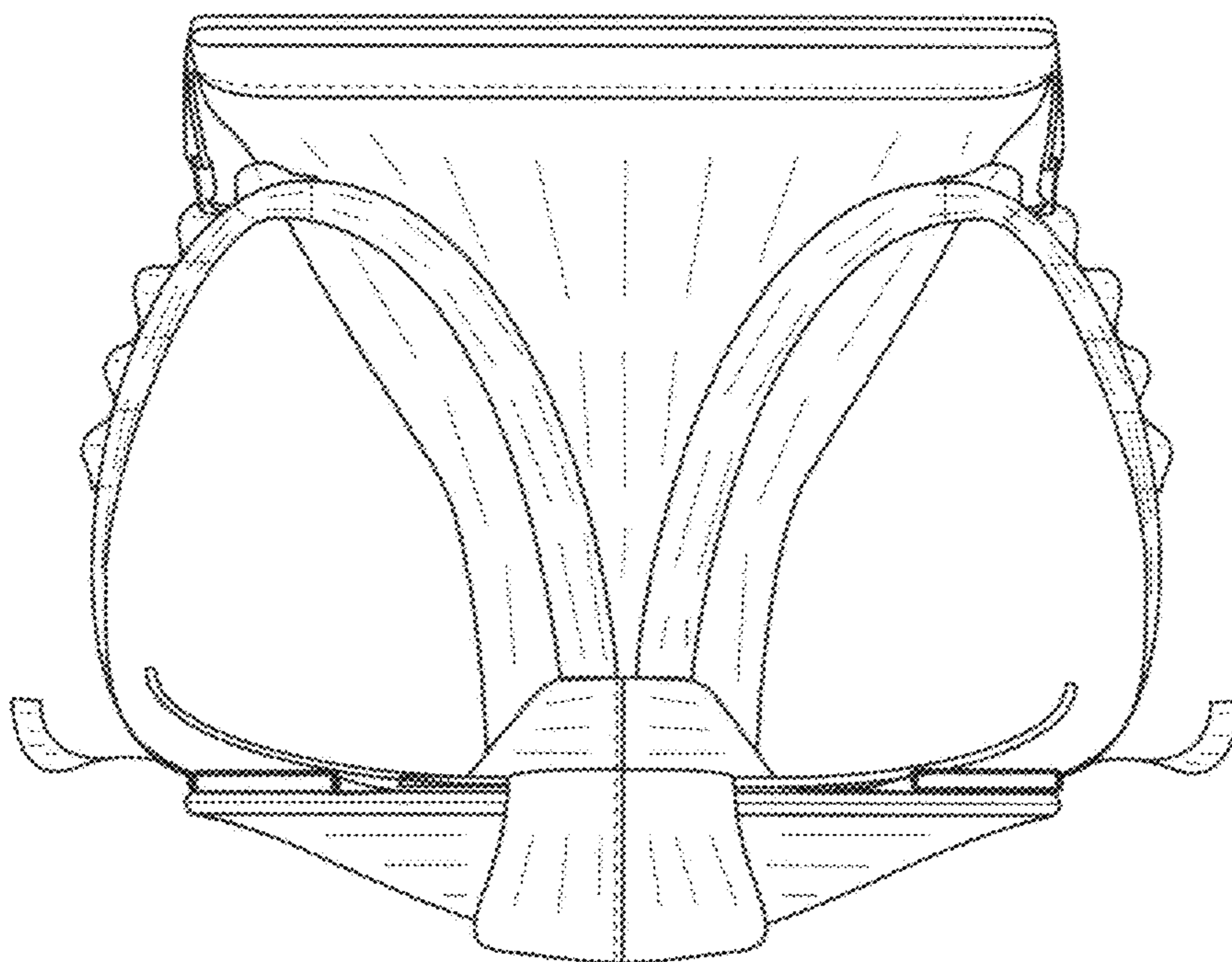


FIG. 3

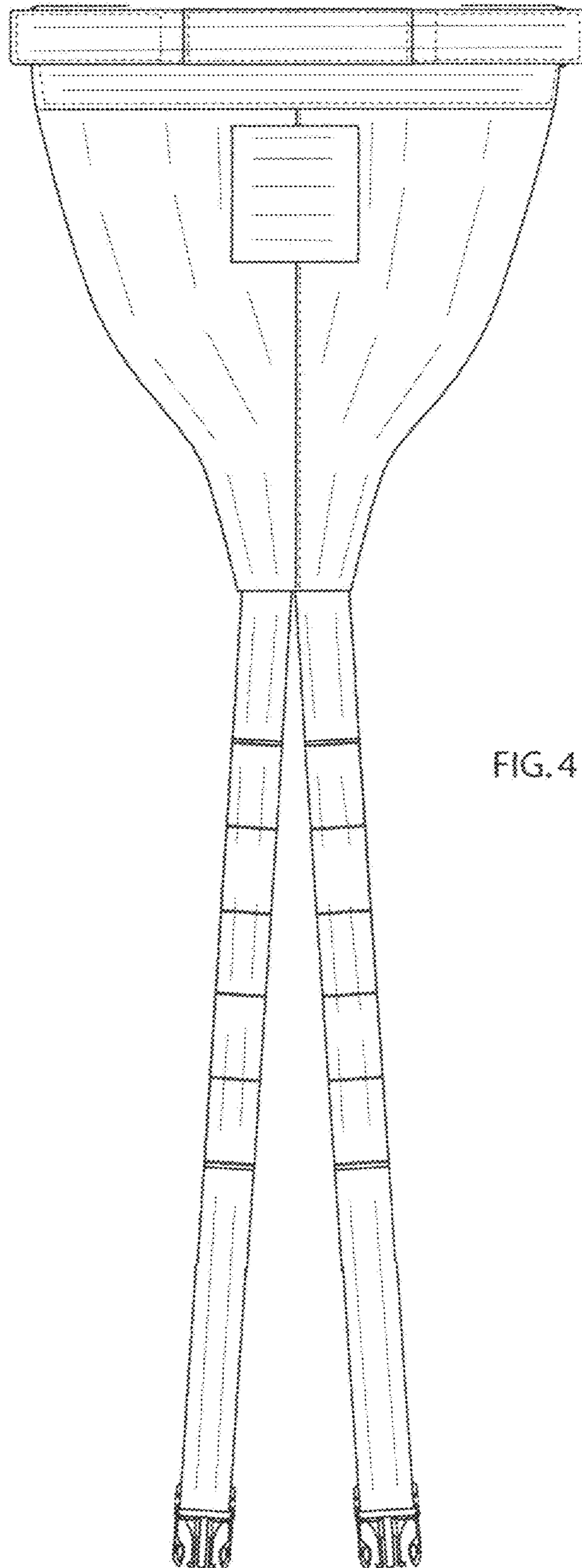


FIG. 4

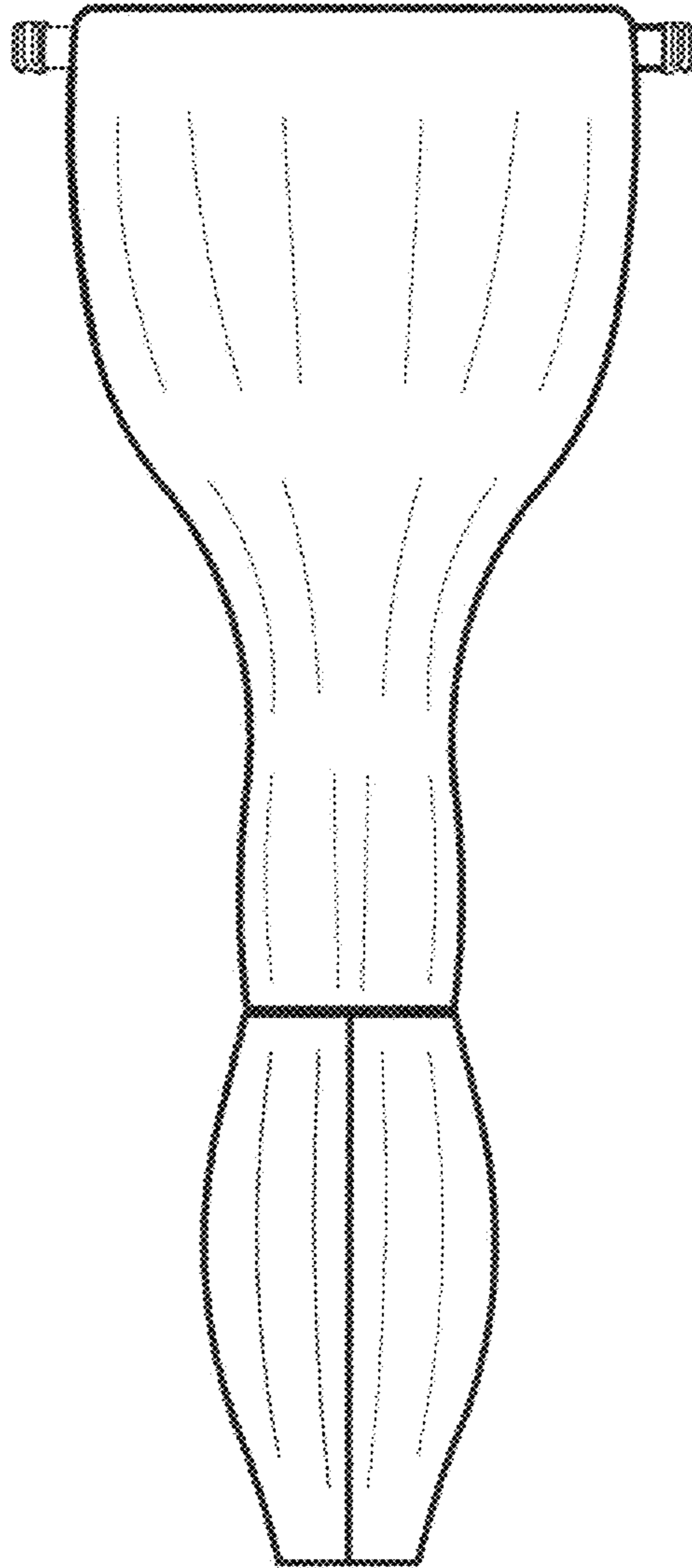


FIG. 5

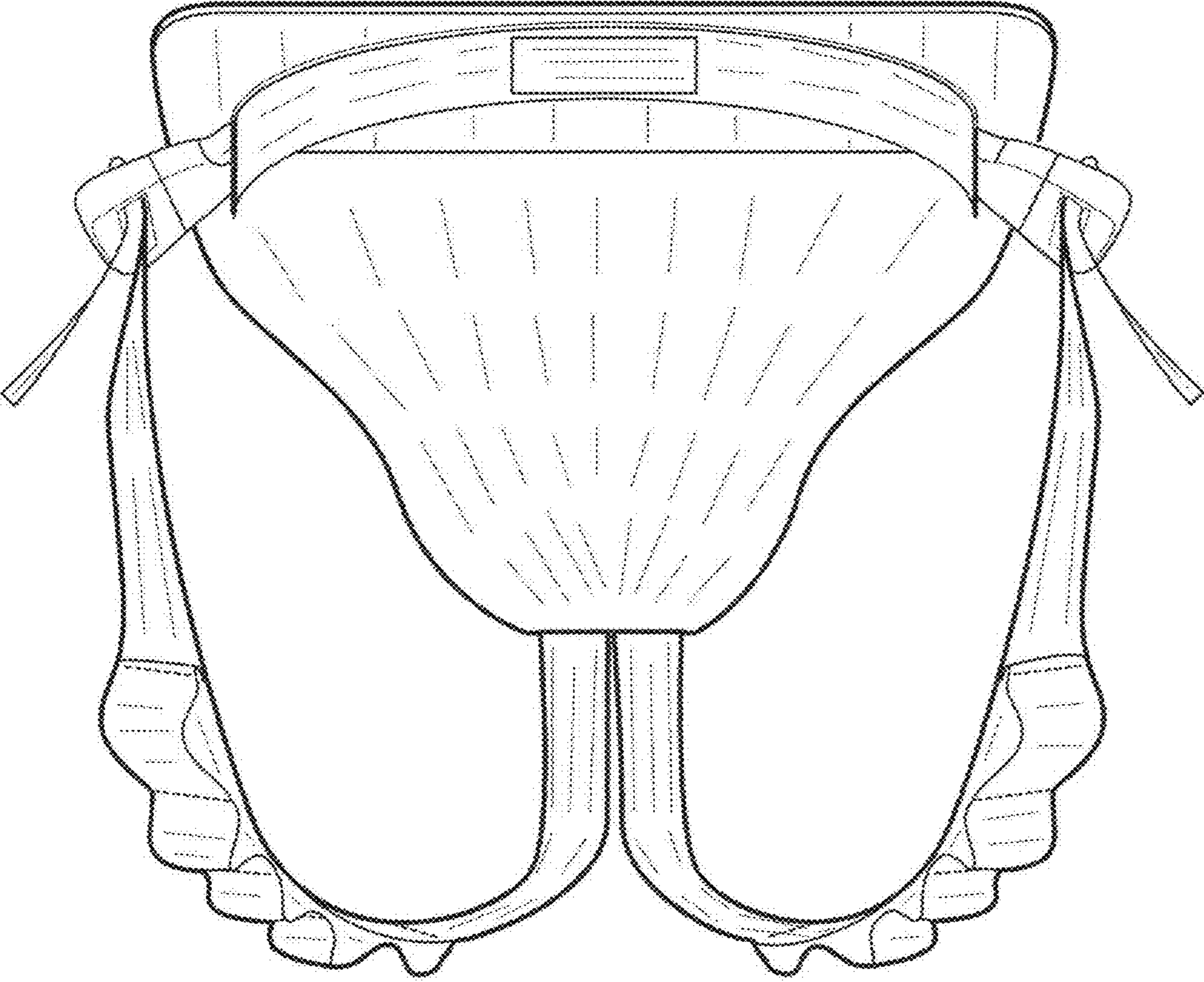


FIG. 6

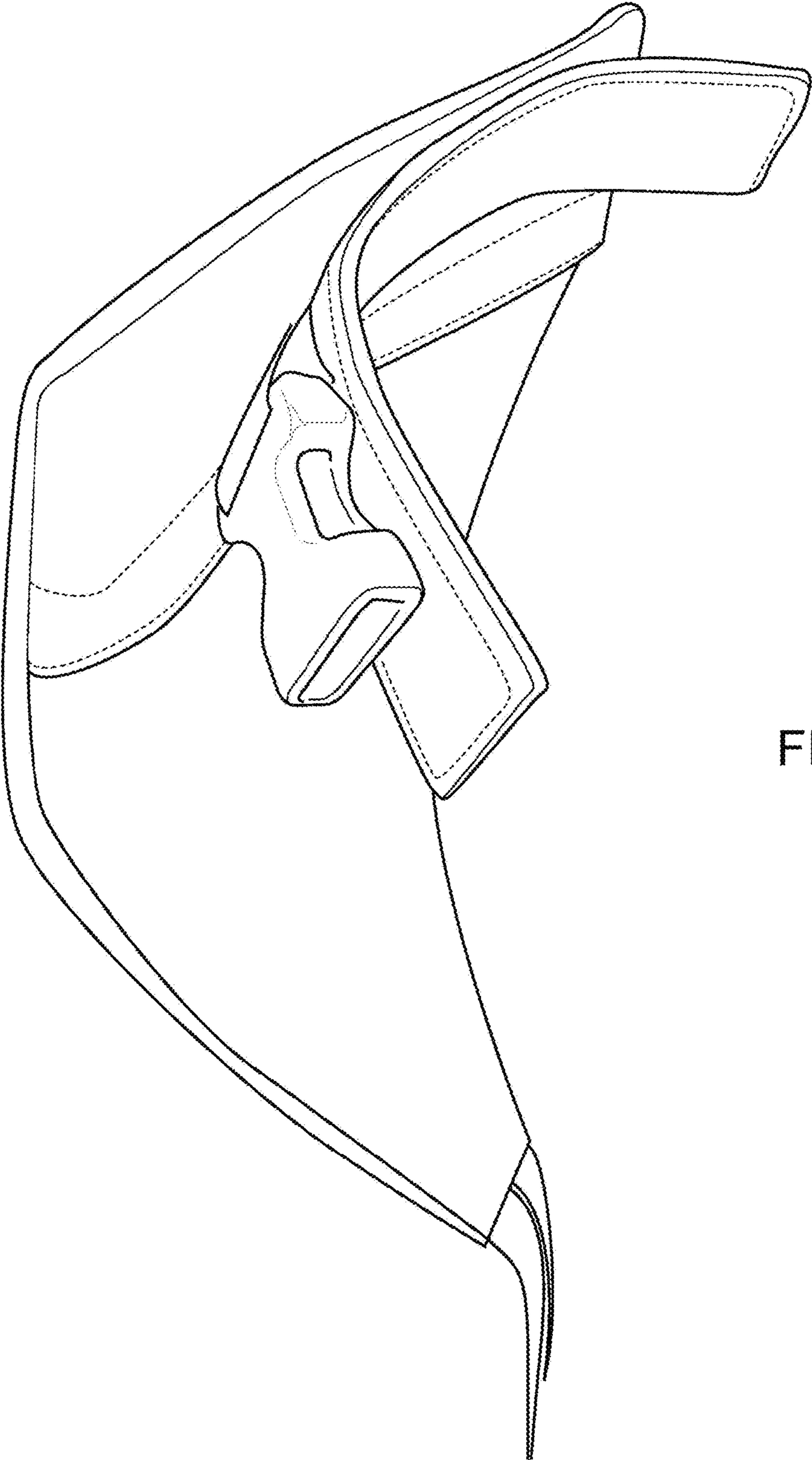


FIG. 7

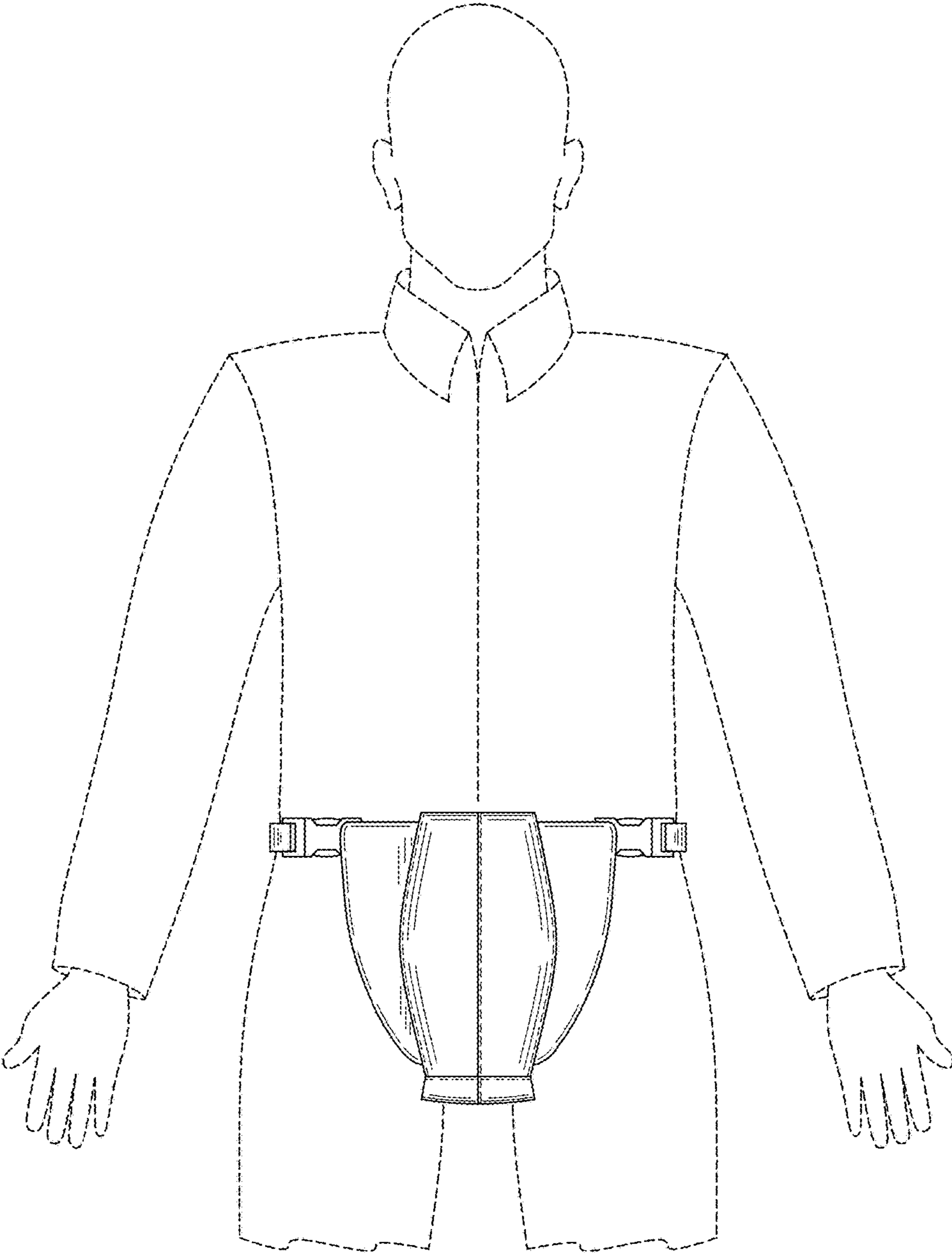


FIG. 8

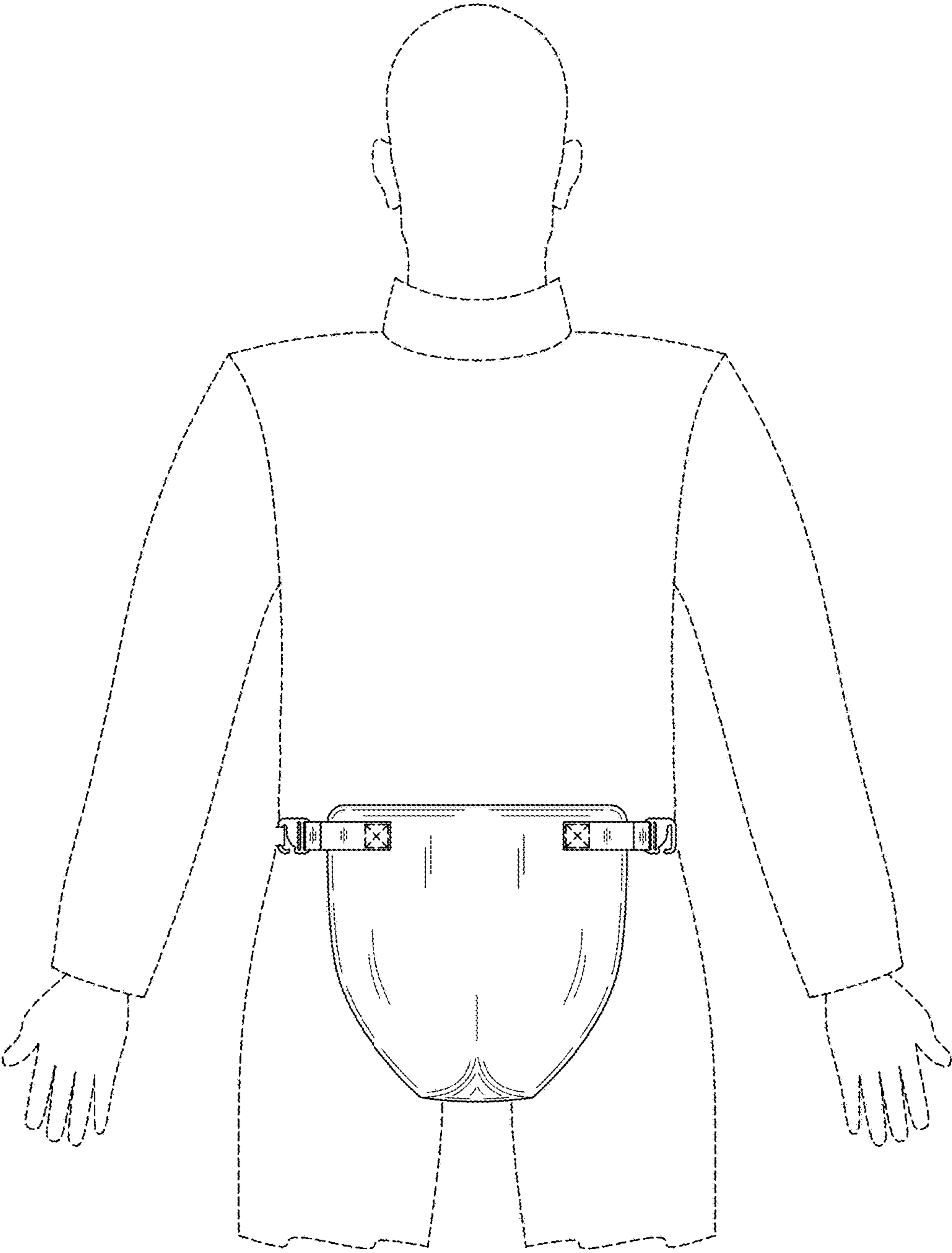


FIG. 9

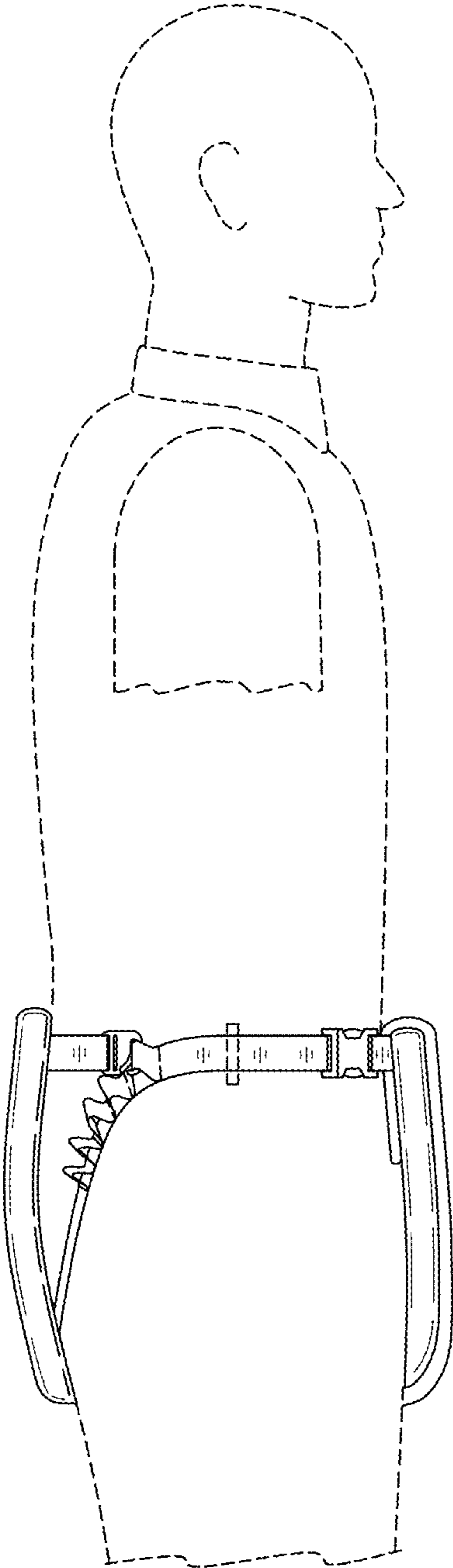


FIG. 10

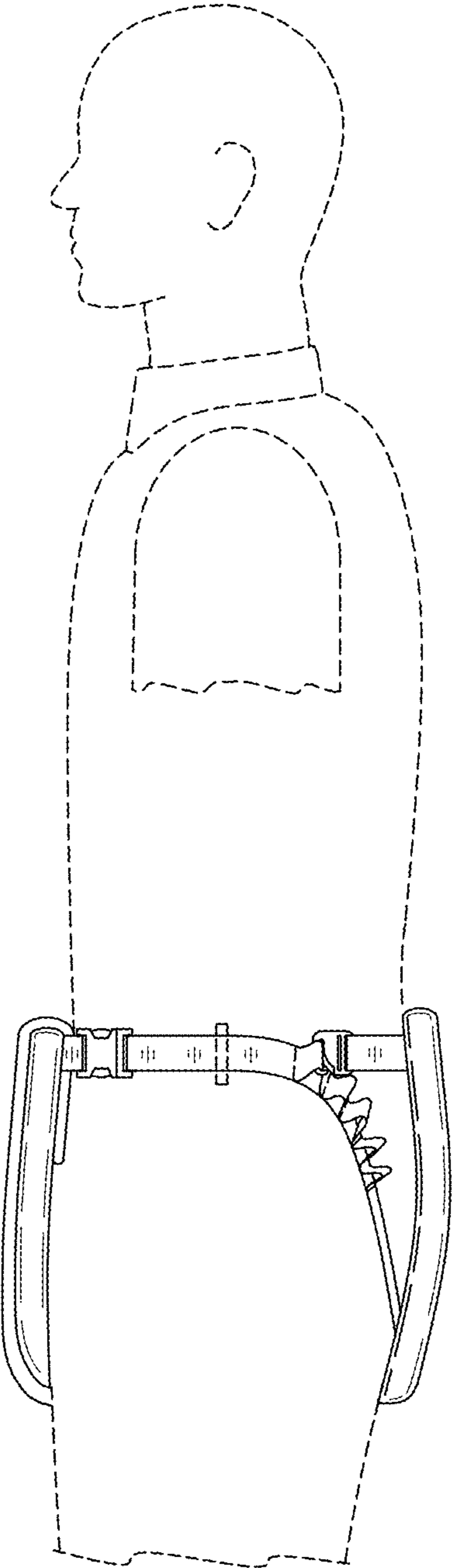


FIG. 11

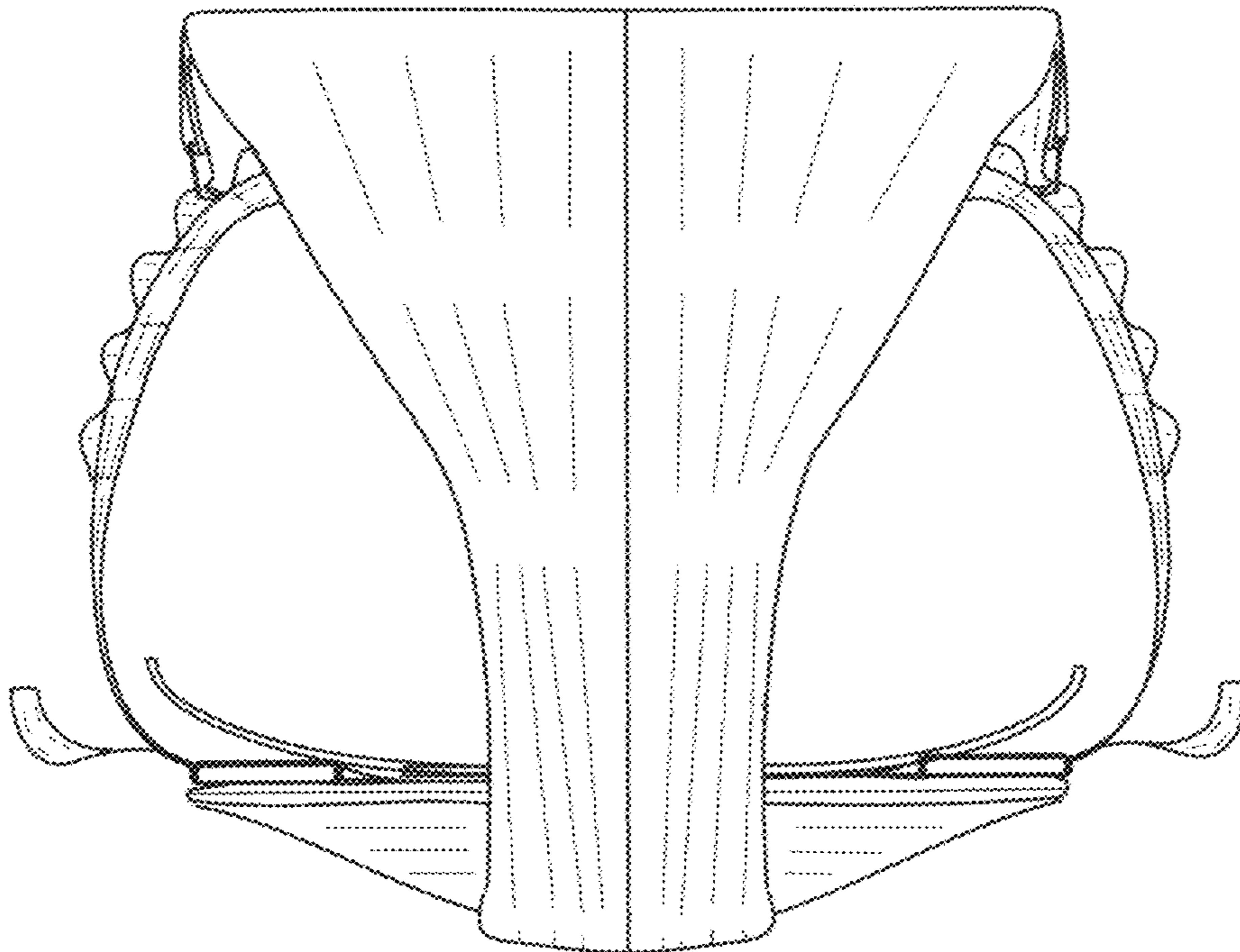


FIG. 12