



US00D773735S

(12) **United States Design Patent**
Brogoitti et al.

(10) **Patent No.:** **US D773,735 S**

(45) **Date of Patent:** **** Dec. 6, 2016**

(54) **PORTABLE INTERCHANGEABLE
COSMETIC COMPACT**

(71) Applicants: **Clairese Brogoitti**, Santa Monica, CA (US); **Marc Brogoitti**, Santa Maria, CA (US); **Megan Langdon**, Santa Monica, CA (US); **Arnando Villarreal**, Santa Monica, CA (US)

(72) Inventors: **Clairese Brogoitti**, Santa Monica, CA (US); **Marc Brogoitti**, Santa Maria, CA (US); **Megan Langdon**, Santa Monica, CA (US); **Arnando Villarreal**, Santa Monica, CA (US)

(**) Term: **14 Years**

(21) Appl. No.: **29/514,926**

(22) Filed: **Jan. 18, 2015**

Related U.S. Application Data

(63) Continuation of application No. 14/599,477, filed on Jan. 17, 2015.

(51) **LOC (10) Cl.** **28-03**

(52) **U.S. Cl.**
USPC **D28/83; D28/77**

(58) **Field of Classification Search**
USPC D28/76-84; D9/772, 428
CPC A45D 33/00-33/003; A45D 33/006;
A45D 33/008; A45D 33/02; A45D
33/025; A45D 33/06-33/10; A45D 33/16;
A45D 33/18; A45D 33/20; A45D 33/22;
A45D 33/24; A45D 33/26; A45D 33/28;
A45D 40/00; A45D 40/22-40/24; A45D
40/0075

See application file for complete search history.

(56) **References Cited**

U.S. PATENT DOCUMENTS

D169,311 S *	4/1953	Ganz et al.	D27/187
2,678,995 A *	5/1954	Miller	A45D 40/18 132/318
D229,119 S *	11/1973	Litton	D28/76
D281,731 S *	12/1985	Phu	D28/77
5,178,478 A *	1/1993	Ryder	A45D 40/18 132/315

(Continued)

Primary Examiner — Jennifer Rivard

(74) *Attorney, Agent, or Firm* — Megan E. Lyman

(57) **CLAIM**

We claim the ornamental design for a portable interchangeable cosmetic compact, as shown and described.

DESCRIPTION

FIG. 1 is a rear view of the portable interchangeable cosmetic compact.

FIG. 2 is an isometric view showing the rear, right side, and bottom of portable interchangeable cosmetic compact with portions of the compact removed.

FIG. 3 is a front view of the portable interchangeable cosmetic compact.

FIG. 4 is a right side view of the portable interchangeable cosmetic compact.

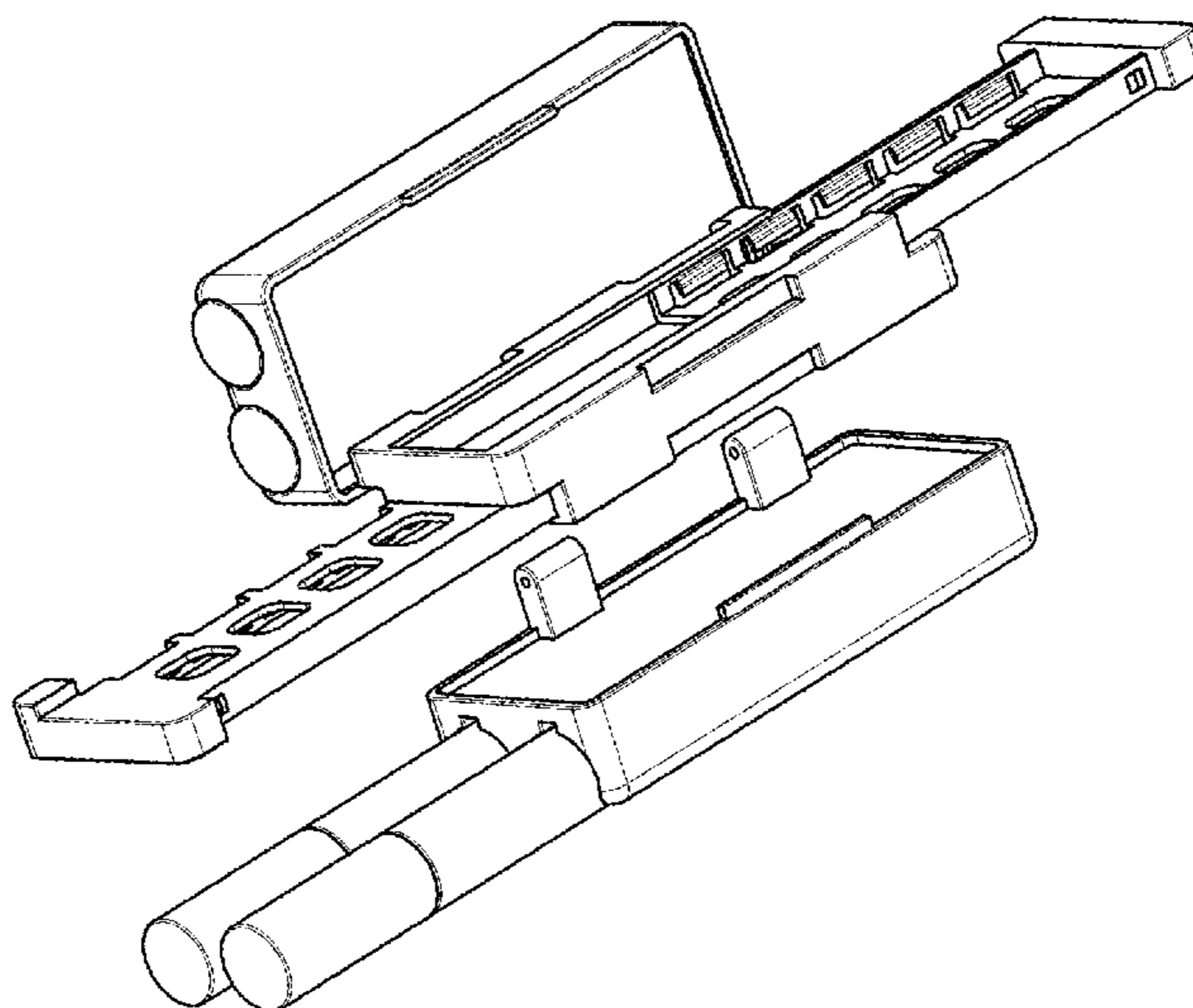
FIG. 5 is an isometric view showing the rear, right side, and bottom of the portable interchangeable cosmetic compact

FIG. 6 is an exploded, isometric view showing the front and left side of the portable interchangeable cosmetic compact; and,

FIG. 7 is an isometric view showing the front and left side of the portable interchangeable cosmetic compact with the top in an open position.

In FIG. 2, the claimed design is shown without portions of the compact for convenience of illustration. The top view is a mirror image of the bottom view.

1 Claim, 4 Drawing Sheets



(56)

References Cited

U.S. PATENT DOCUMENTS

5,513,754 A * 5/1996 Chang A45C 11/008
132/296
5,638,839 A * 6/1997 Montoli A45D 40/22
132/294
D386,828 S * 11/1997 Pullman D28/64.3
D505,518 S * 5/2005 Benjamin D28/83
D602,637 S * 10/2009 Helenowski D28/76
D610,310 S * 2/2010 Helenowski D28/76
D656,275 S * 3/2012 Carini D28/64.3
D718,499 S * 11/2014 Pourmehr D28/83
D718,500 S * 11/2014 Pourmehr D28/83
2008/0265731 A1 * 10/2008 Moon A45D 33/20
312/333
2011/0033219 A1 * 2/2011 Da Rovare A45C 11/008
401/55
2012/0000926 A1 * 1/2012 Ki A45D 33/006
220/826
2015/0201733 A1 * 7/2015 Brogoitti A45D 33/28
132/288

* cited by examiner

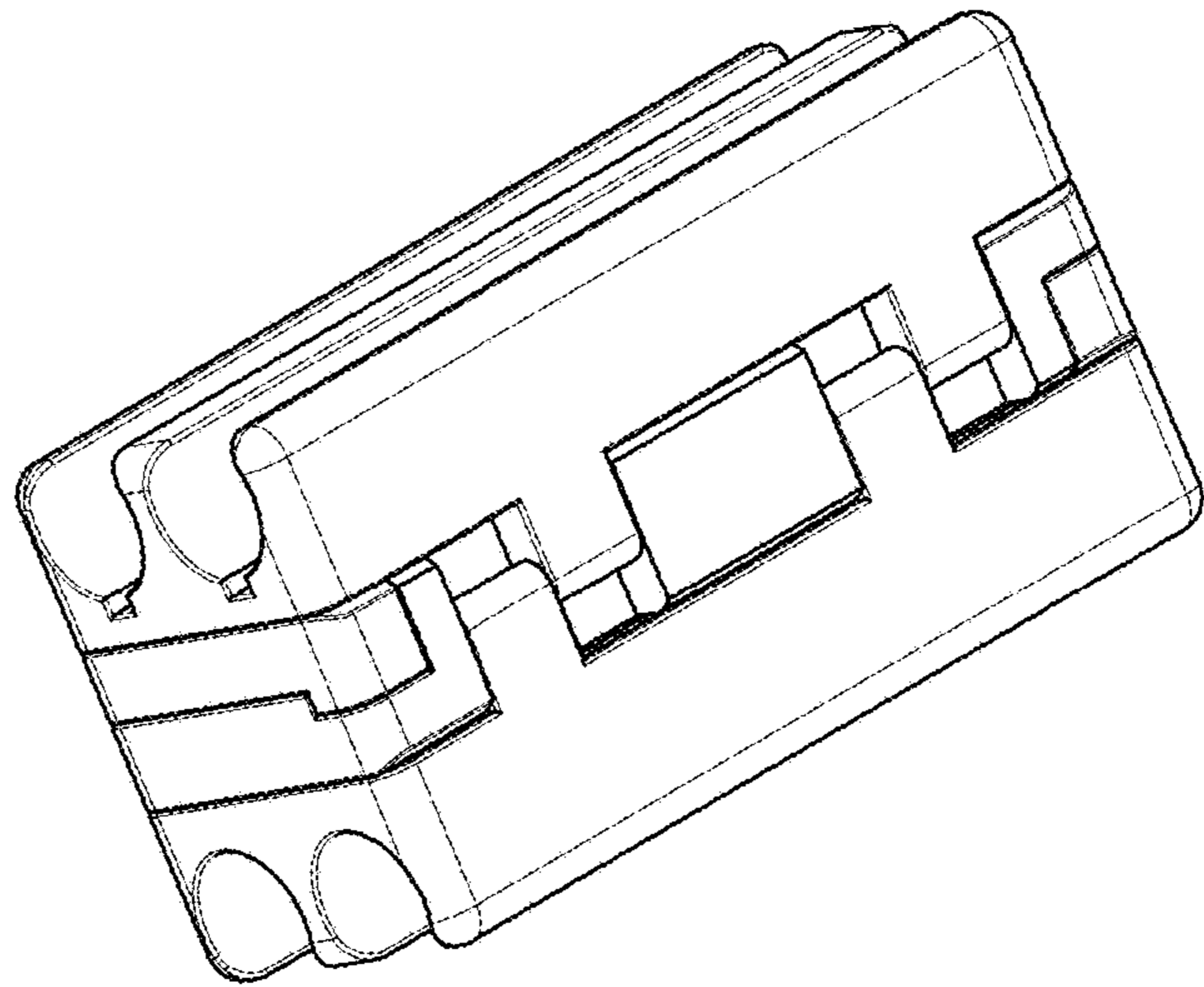


FIG. 2

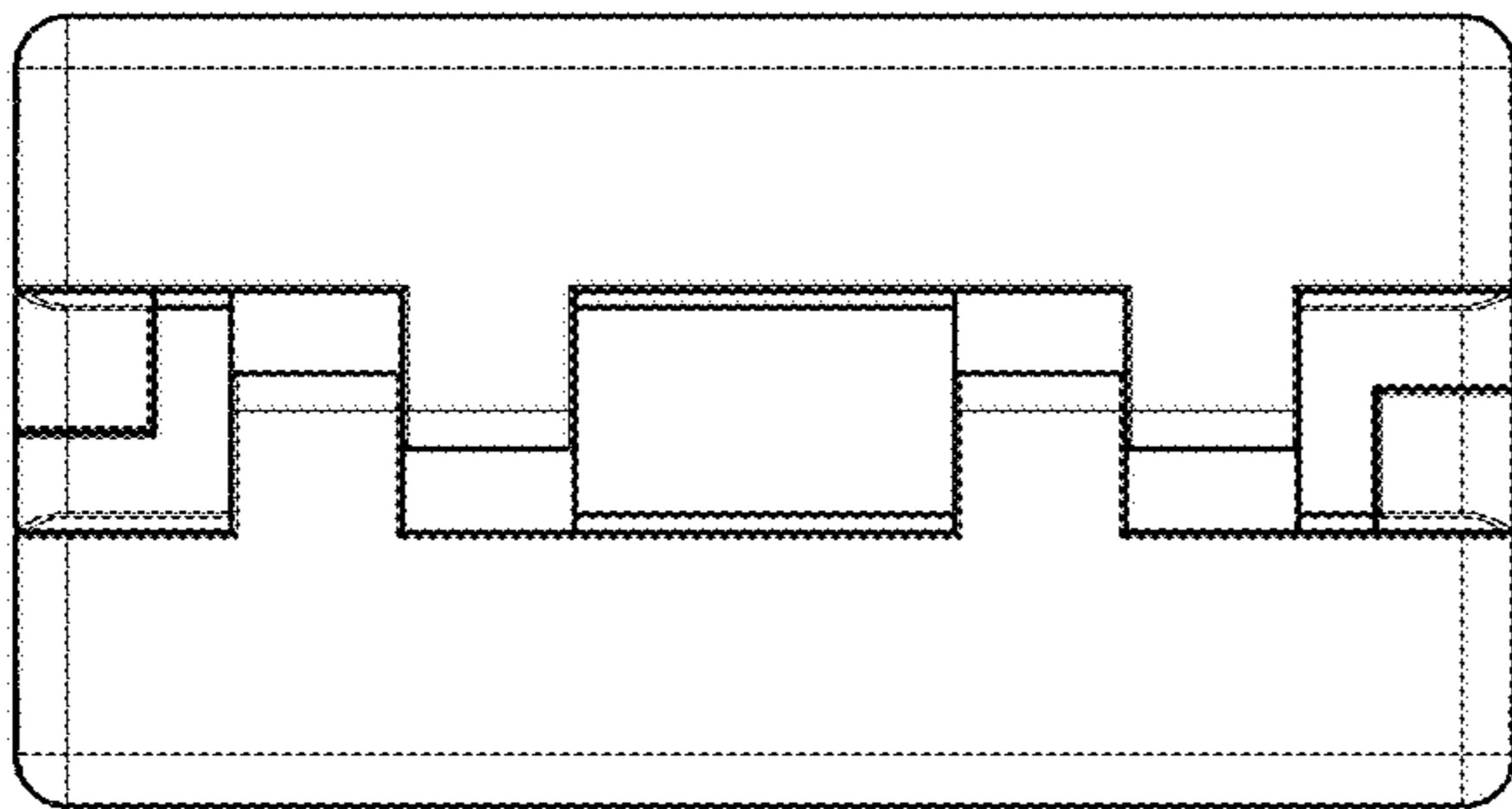


FIG. 1

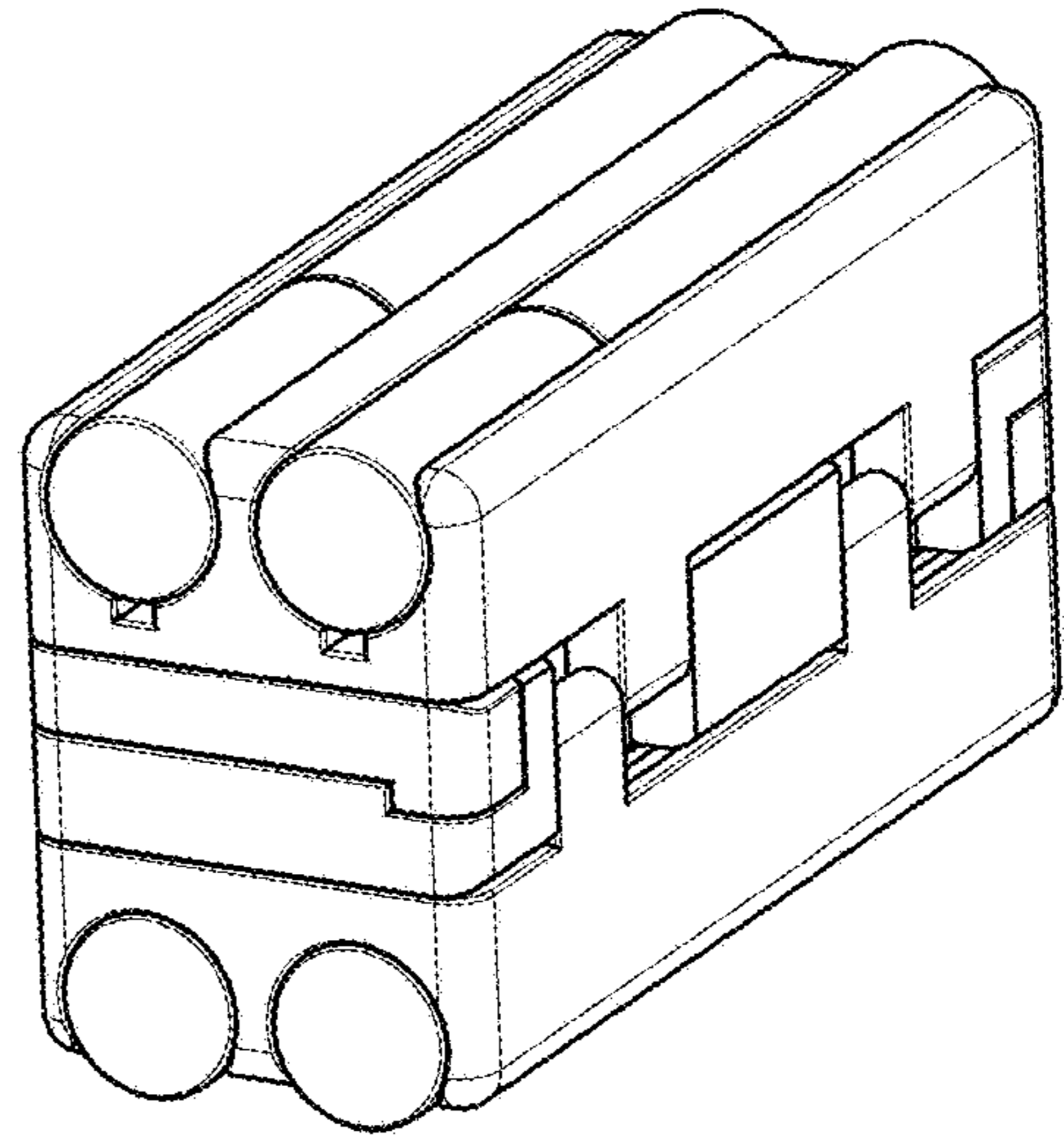


FIG. 5

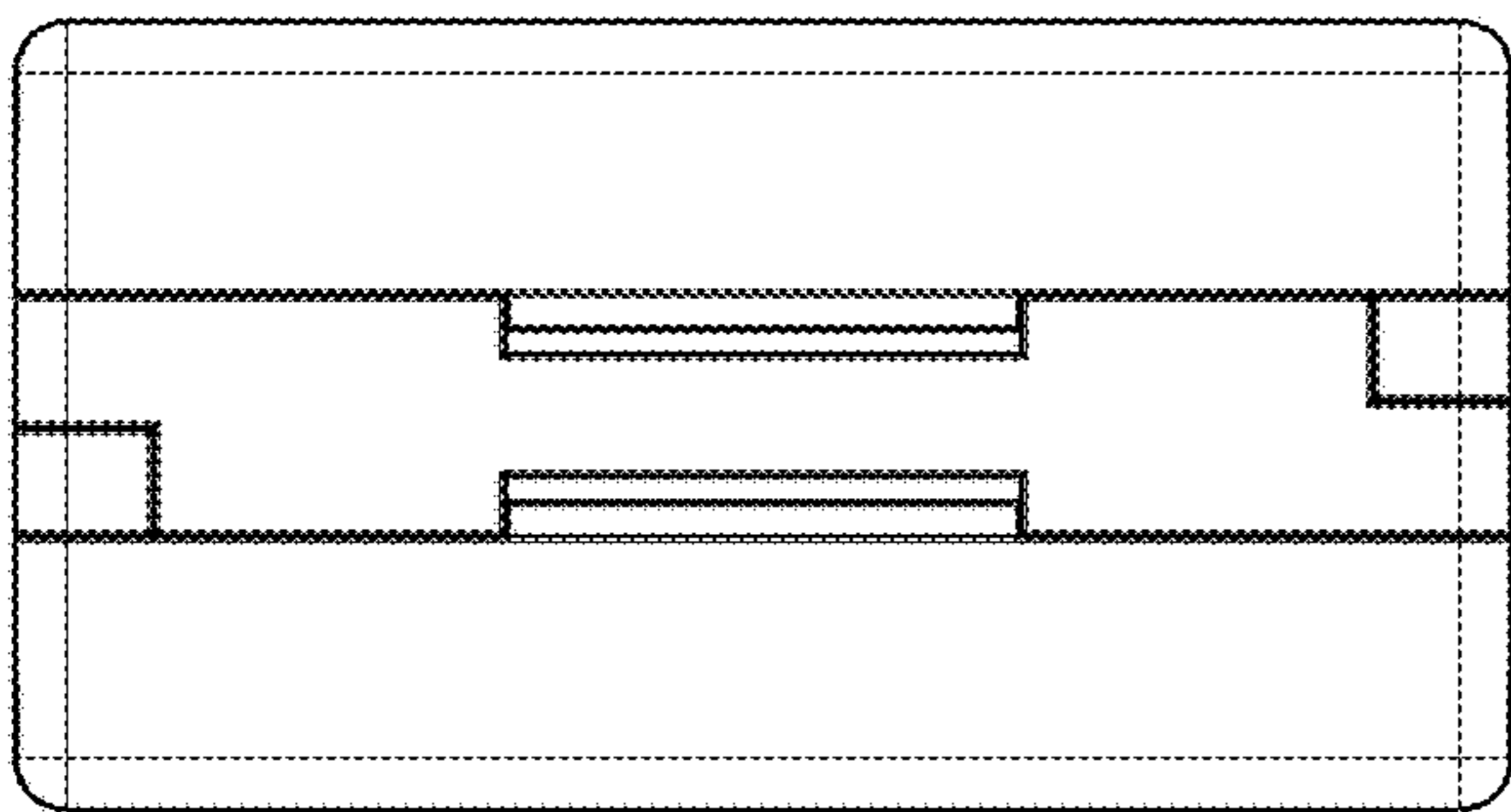


FIG. 3

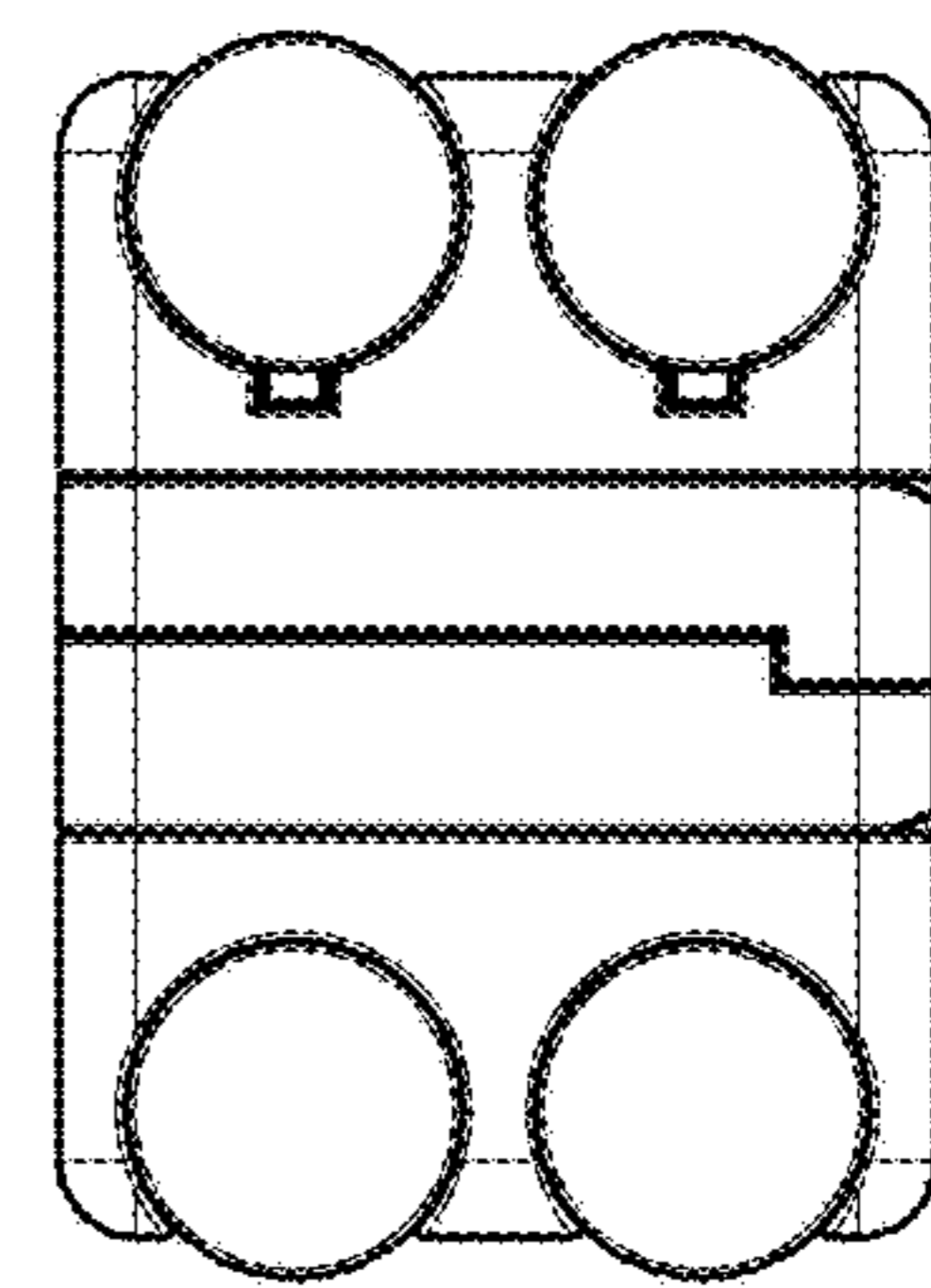


FIG. 4

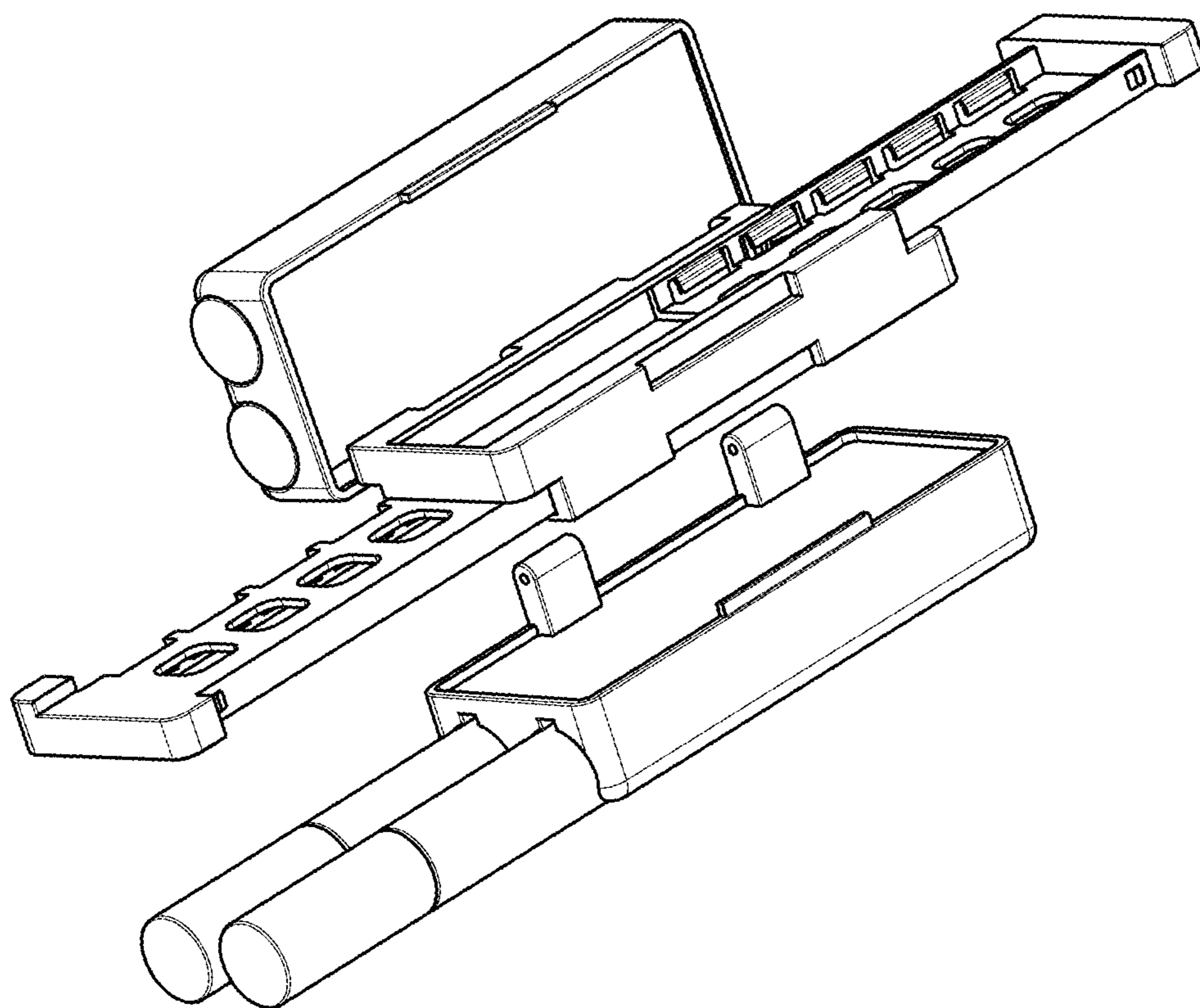


FIG. 6

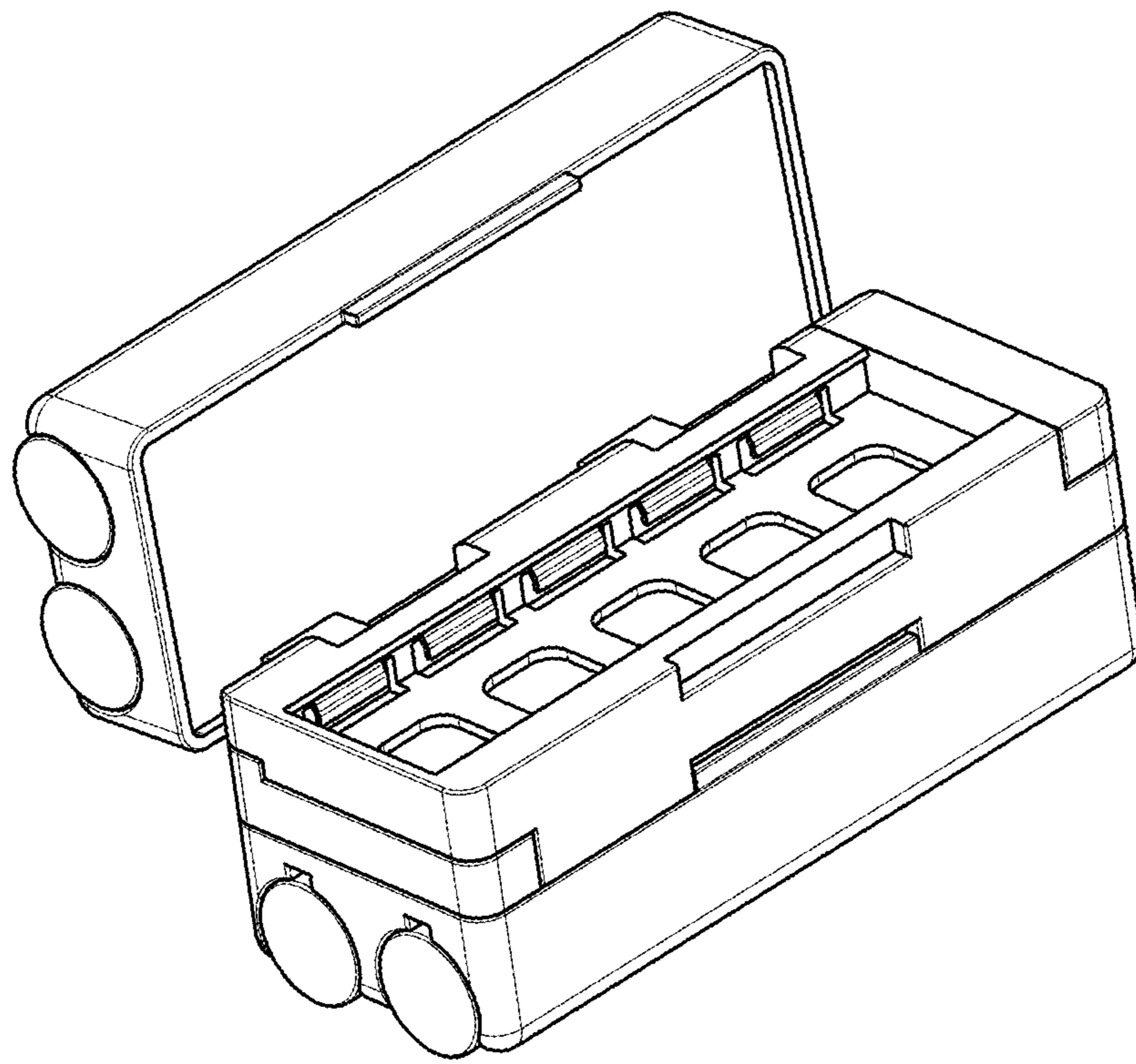


FIG. 7