



US00D773732S

(12) **United States Design Patent** (10) **Patent No.:** **US D773,732 S**
Toh (45) **Date of Patent:** **** Dec. 6, 2016**

(54) **SOAP BAR**
(71) Applicant: **COLGATE-PALMOLIVE COMPANY**, New York, NY (US)
(72) Inventor: **Kiat-Cheong Toh**, Forest Hills, NY (US)
(73) Assignee: **Colgate-Palmolive Company**, New York, NY (US)

D269,127 S * 5/1983 Christianson D28/8.1
D343,919 S * 2/1994 Crawford D28/8.1
D346,241 S * 4/1994 Crawford D28/8.1
D348,540 S * 7/1994 Crawford D28/8.1
D348,541 S 7/1994 Crawford
D356,474 S 3/1995 Chow
D467,385 S 12/2002 Crawford
D470,385 S 2/2003 Chen
D520,186 S * 5/2006 Caroen D28/8.1
D547,492 S * 7/2007 Caroen D28/8.1
D624,696 S * 9/2010 Hsiao D24/125
D665,945 S * 8/2012 Macias D28/8.1

(**) Term: **15 Years**

FOREIGN PATENT DOCUMENTS

(21) Appl. No.: **29/559,074**

AR 81924 10/2011
BR DI 7100077-1 10/2011
CD 002023226-0001 4/2012
MX 16178 10/2000
WO DM/053532 10/2000
WO DM/075416 2/2011

(22) Filed: **Mar. 24, 2016**

Related U.S. Application Data

(62) Division of application No. 29/501,340, filed on Sep. 3, 2014, now Pat. No. Des. 754,925.

* cited by examiner

(51) **LOC (10) Cl.** **28-02**

Primary Examiner — Jennifer Rivard

(52) **U.S. Cl.**
USPC **D28/8.1**

(57) **CLAIM**

(58) **Field of Classification Search**
USPC 510/141, 147, 148; D28/8.1-8.2
CPC C11D 17/00; C11D 17/0017; C11D 17/0026; C11D 17/0047-17/0095; C11D 13/16; C11D 13/18; C11D 13/20; C11D 17/02

The ornamental design for a soap bar, as shown and described.

DESCRIPTION

See application file for complete search history.

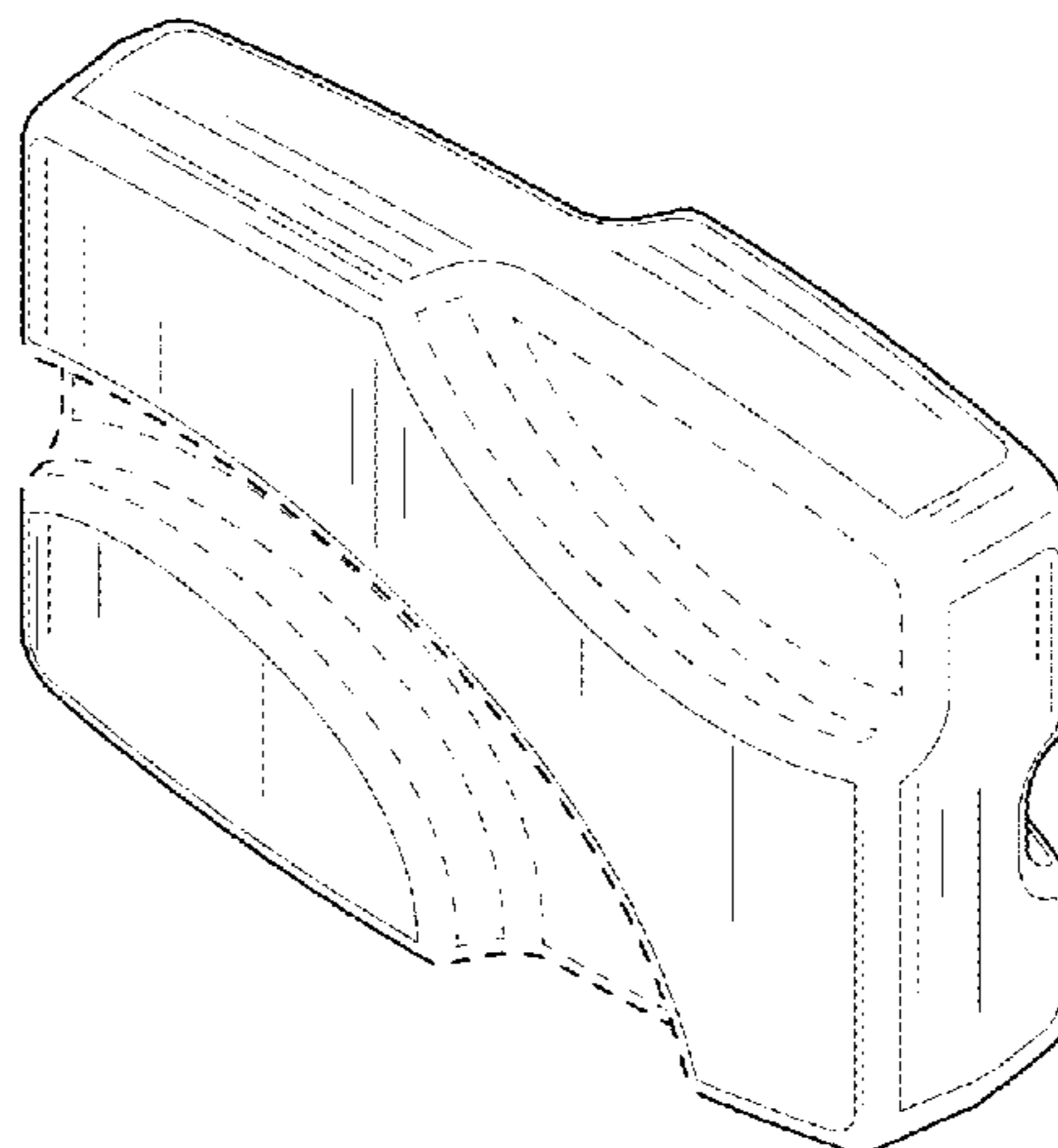
FIG. 1 is a front perspective view of a soap bar according to the new design;
FIG. 2 is a rear perspective view thereof;
FIG. 3 is a front view thereof;
FIG. 4 is a rear view thereof;
FIG. 5 is a left side view thereof;
FIG. 6 is a right side view thereof;
FIG. 7 is a top plan view thereof; and,
FIG. 8 is a bottom plan view thereof.
The broken lines illustrate portions of the soap bar and form no part of the claimed design.

(56) **References Cited**

U.S. PATENT DOCUMENTS

D51,395 S 10/1917 Schwartzberg
D131,541 S * 3/1942 Stoner et al. D28/8.1
D201,110 S * 5/1965 Home D24/101
D201,228 S * 5/1965 Home D24/101
D201,229 S * 5/1965 Burke D24/101
D204,648 S 5/1966 Bonardi
D209,881 S * 1/1968 Vanderhyde D28/8.1
D210,709 S 4/1968 Douglas

1 Claim, 5 Drawing Sheets



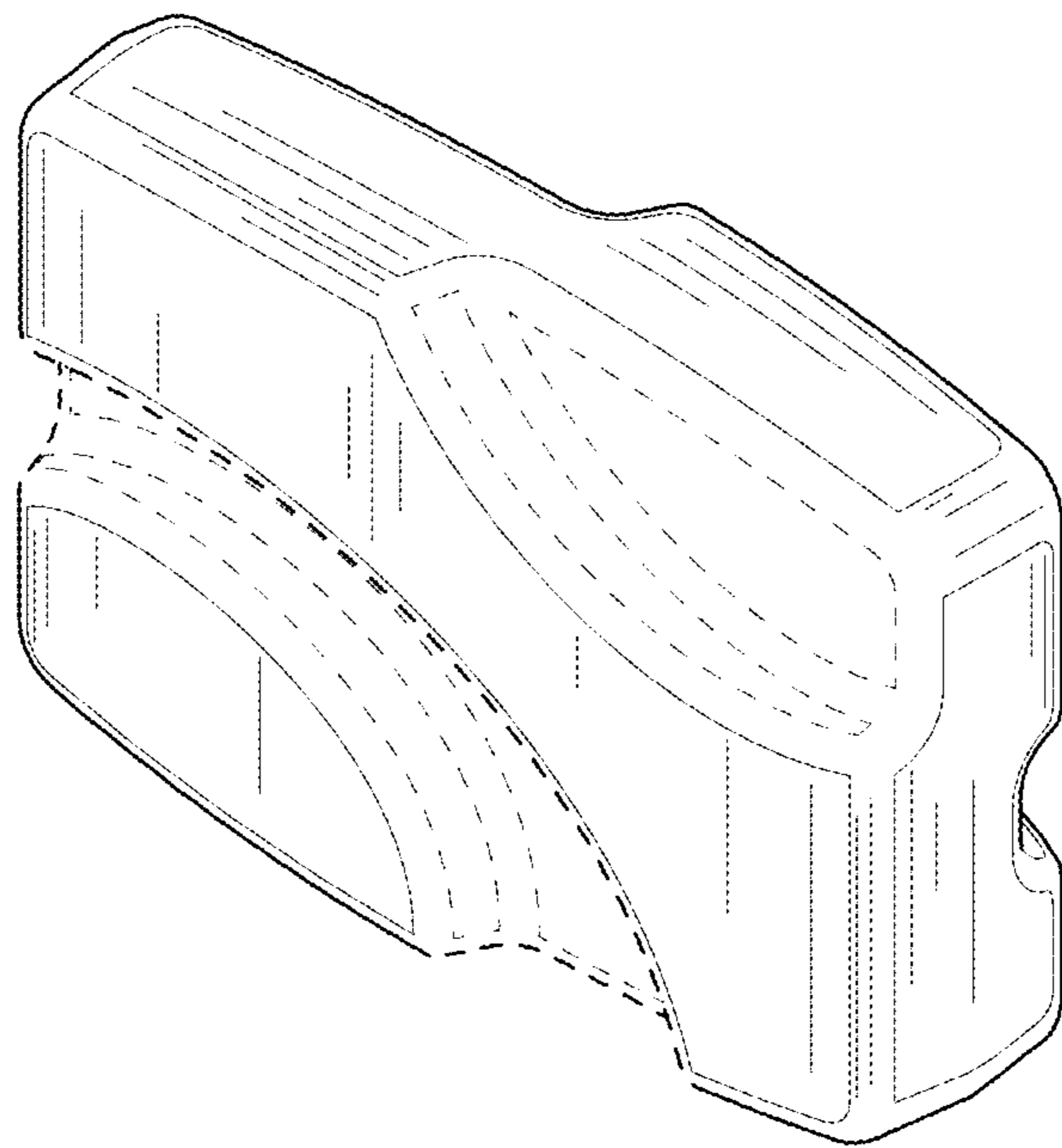


FIG. 1

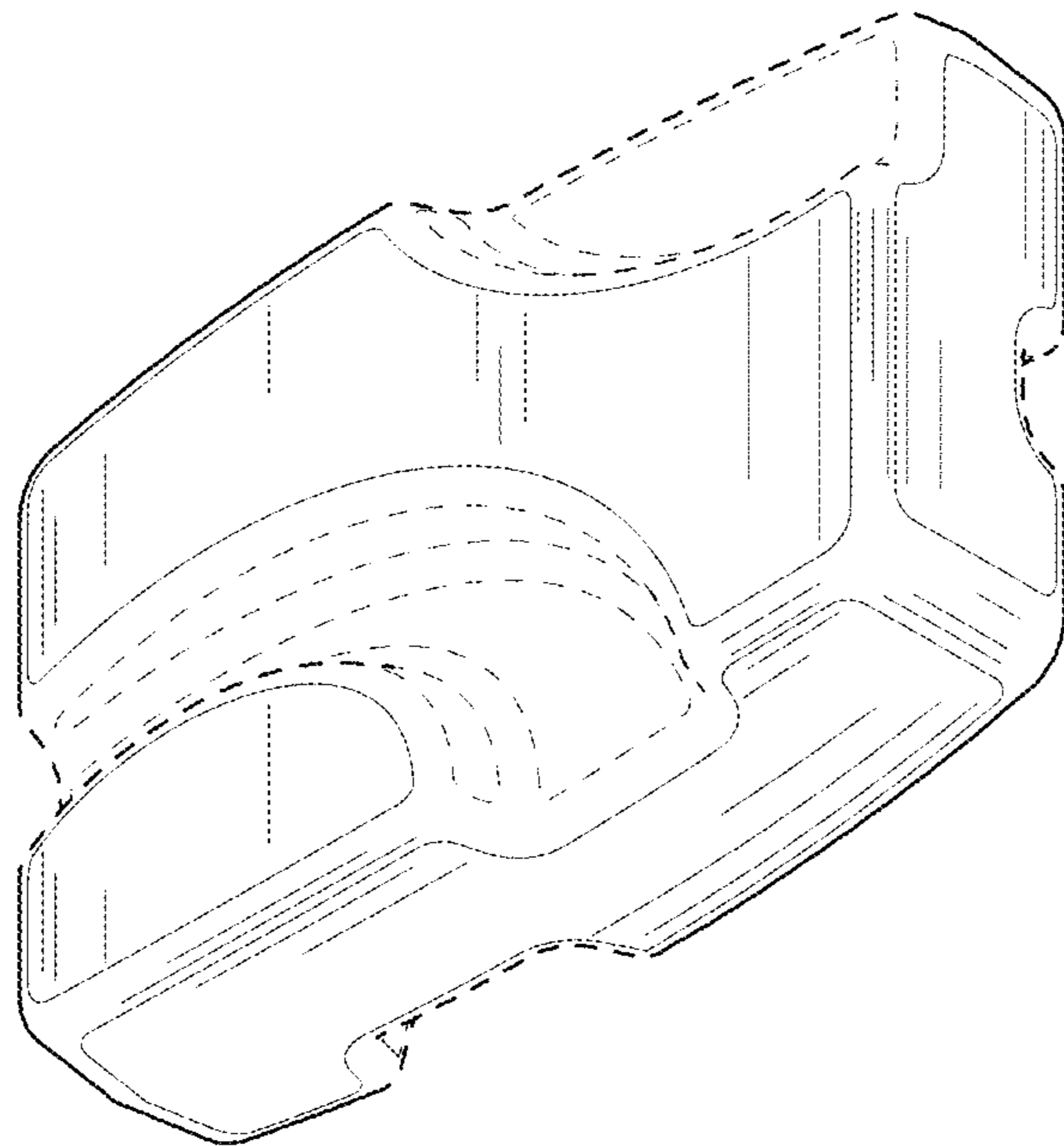


FIG. 2

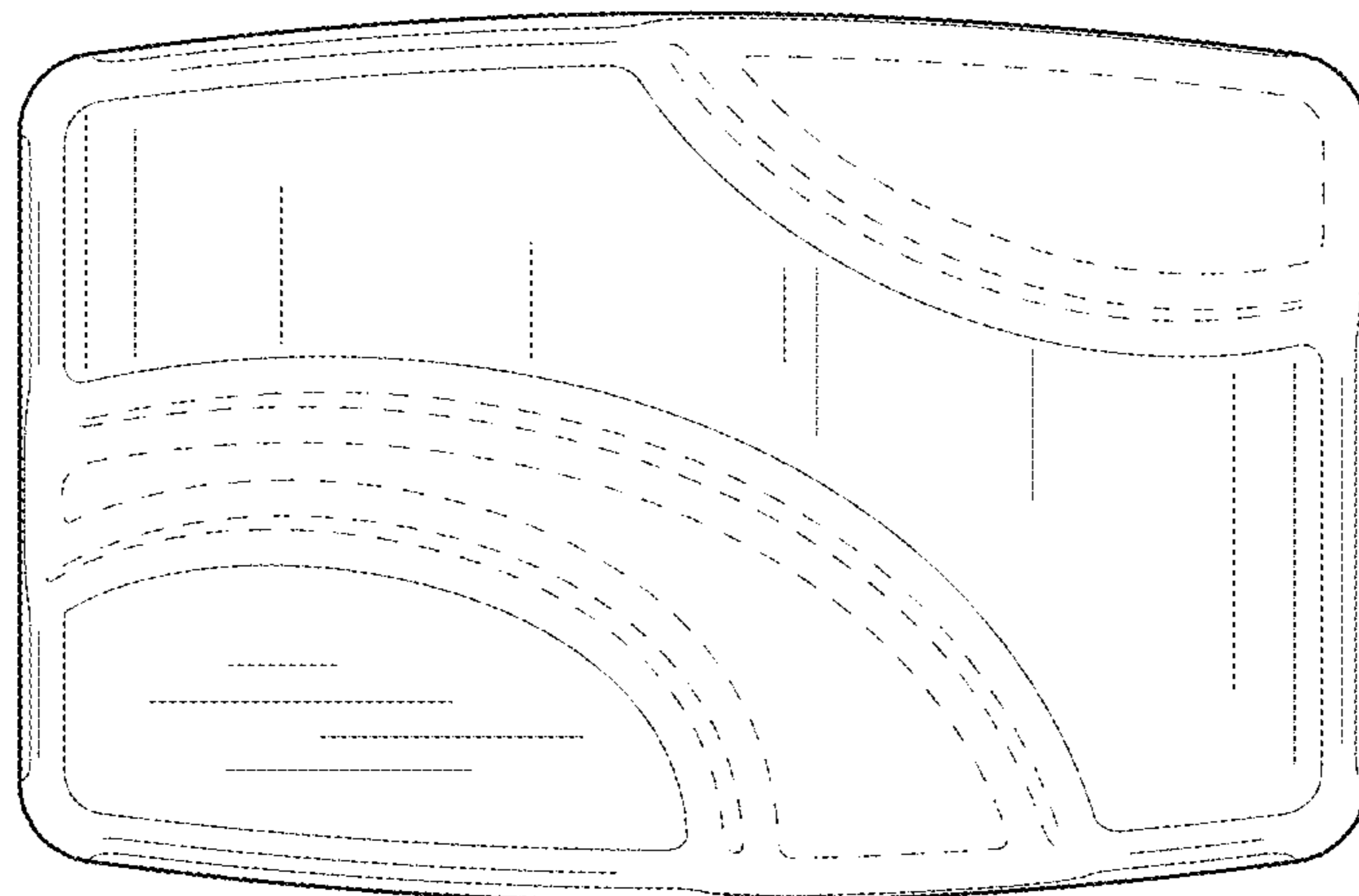


FIG. 3

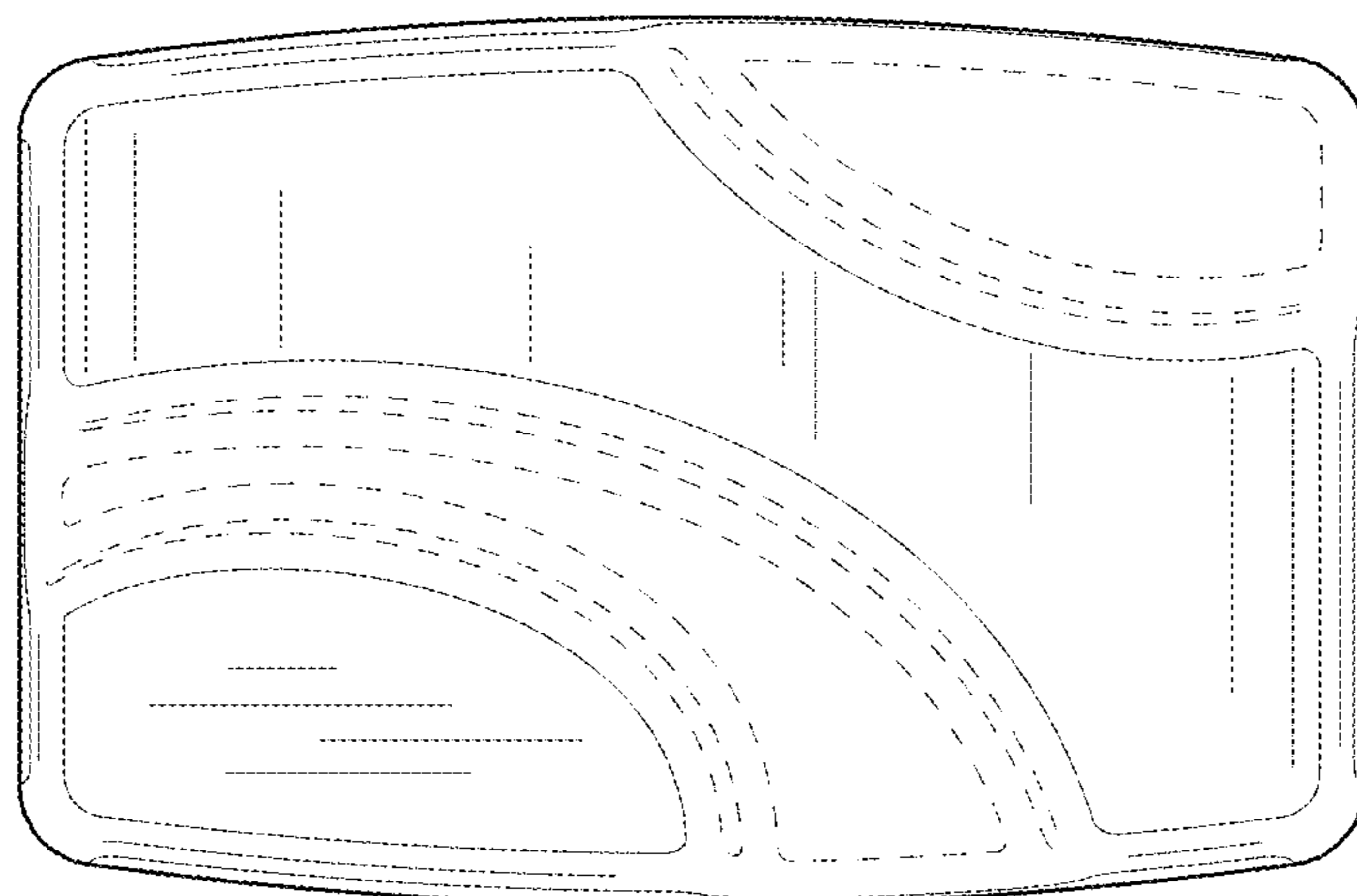


FIG. 4

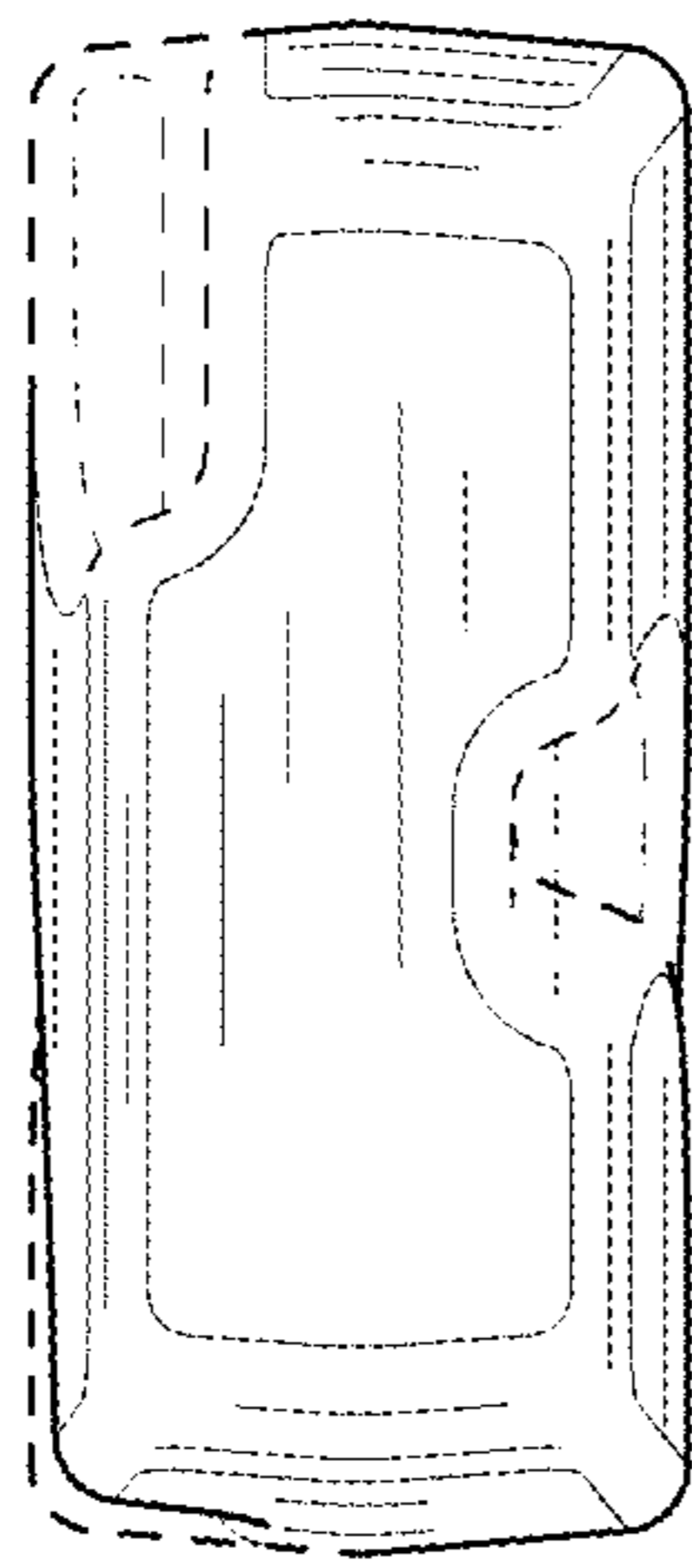


FIG. 5

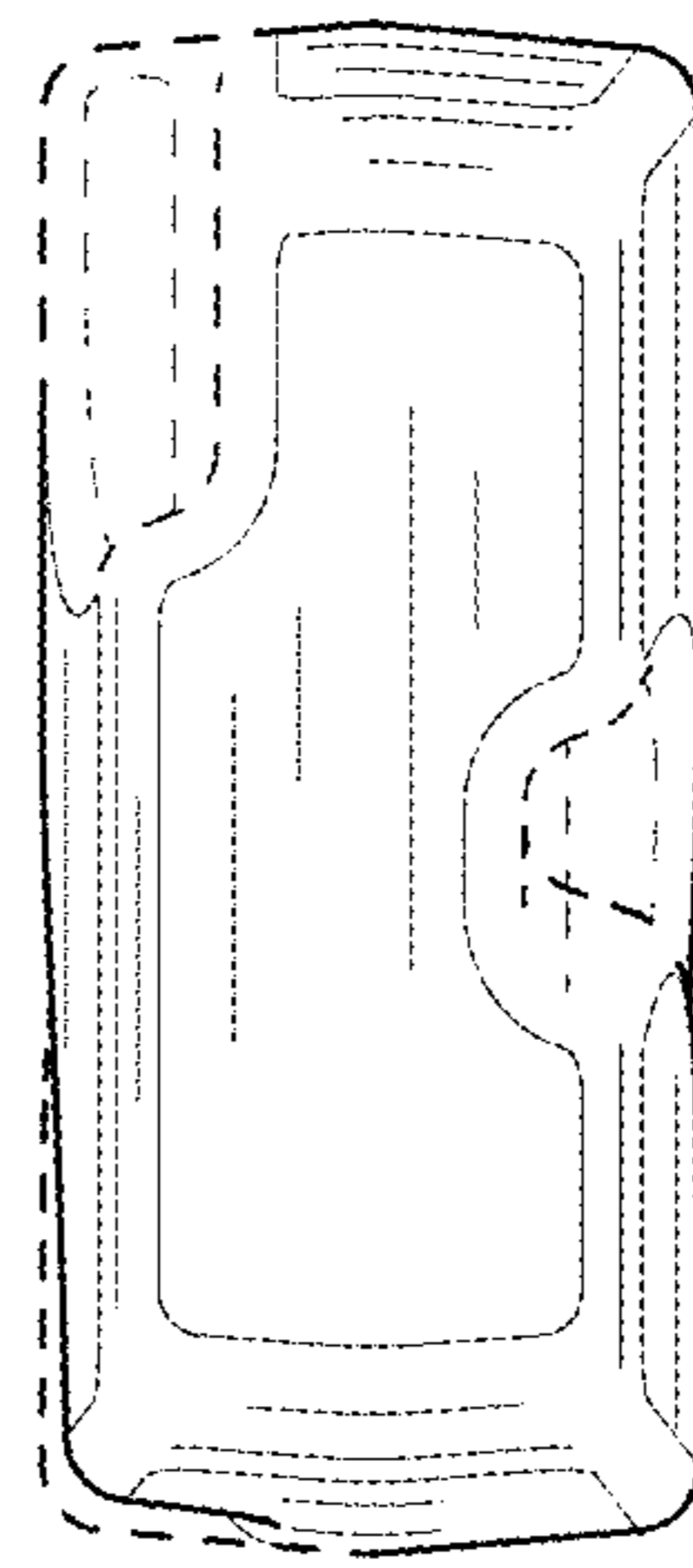


FIG. 6

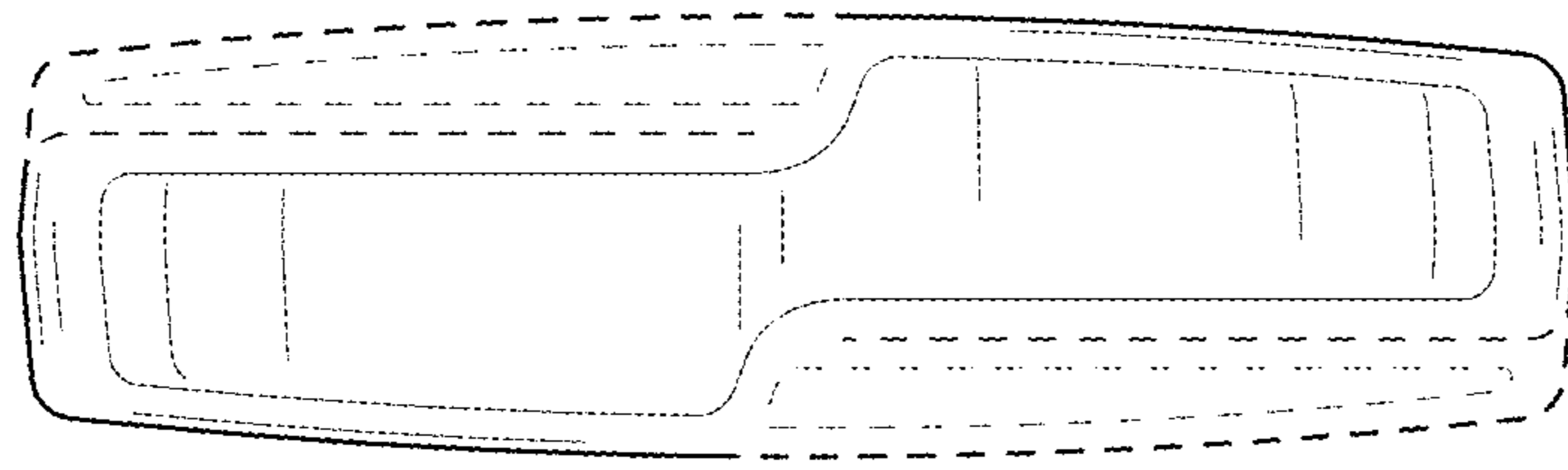


FIG. 7

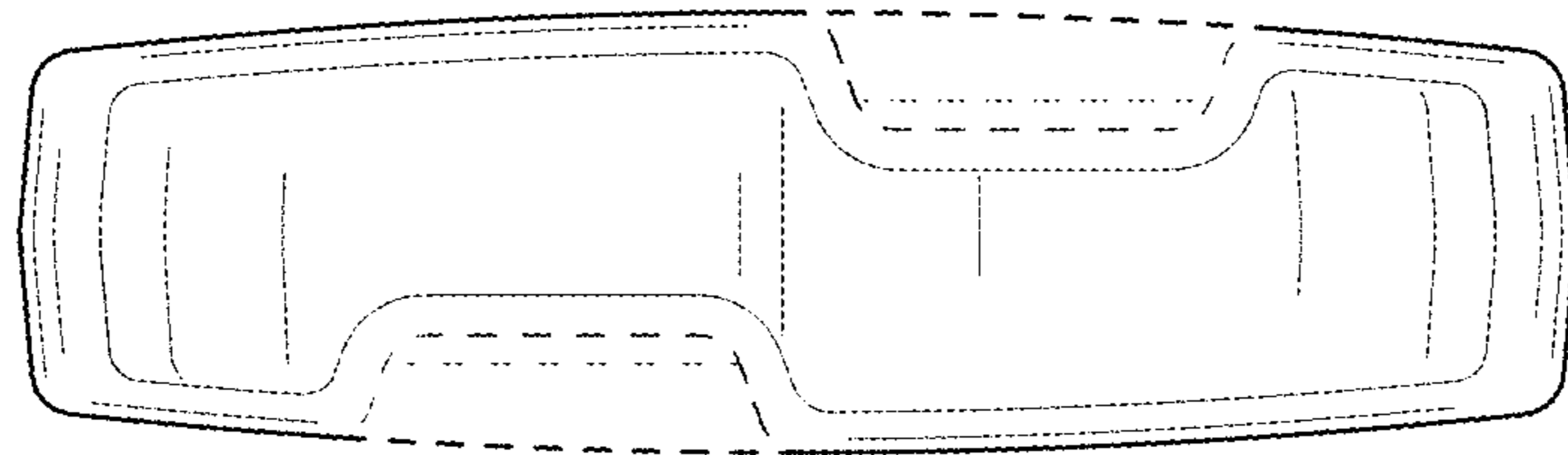


FIG. 8