



US00D773730S

(12) **United States Design Patent** (10) **Patent No.:** **US D773,730 S**
Rizzo et al. (45) **Date of Patent:** **** Dec. 6, 2016**

(54) **COSMETIC APPLICATOR**

(71) Applicants: **Peter Rizzo**, Staten Island, NY (US);
Jacqueline Haupt, Astoria, NY (US)

(72) Inventors: **Peter Rizzo**, Staten Island, NY (US);
Jacqueline Haupt, Astoria, NY (US)

(73) Assignee: **Revlon Consumer Products Corporation**, New York, NY (US)

(**) Term: **14 Years**

(21) Appl. No.: **29/519,370**

(22) Filed: **Mar. 4, 2015**

(51) **LOC (10) Cl.** **28-03**

(52) **U.S. Cl.**
USPC **D28/7**

(58) **Field of Classification Search**
USPC D28/7, 8, 20-22, 30-31, 76, 85, 99;
132/108, 202, 208, 317, 320; D19/85,
D19/181, 182
CPC B43K 19/00; C09D 13/00
See application file for complete search history.

(56) **References Cited**

U.S. PATENT DOCUMENTS

D300,640 S * 4/1989 Coletta D19/117
D370,088 S * 5/1996 Burns D19/117

(Continued)

OTHER PUBLICATIONS

tomford.com, brow sculptor pencil, <http://www.tomford.com/brow-sculptor/T0W9.html>, last visited: Jul. 10, 2014.

Primary Examiner — Zenia Bennett

(74) *Attorney, Agent, or Firm* — Revlon Consumer Products Corp.

(57) **CLAIM**

The ornamental design for a cosmetic applicator, as shown and described.

DESCRIPTION

FIG. 1 is a top perspective view of a first embodiment of a cosmetic applicator.

FIG. 2 is a bottom perspective view of the first embodiment of a cosmetic applicator.

FIG. 3 is a right side view of the first embodiment of a cosmetic applicator.

FIG. 4 is a left side view of the first embodiment of a cosmetic applicator.

FIG. 5 is a front view of the first embodiment of a cosmetic applicator.

FIG. 6 is a back view of the first embodiment of a cosmetic applicator.

FIG. 7 is a top view of the first embodiment of a cosmetic applicator.

FIG. 8 is a bottom view of the first embodiment of a cosmetic applicator.

FIG. 9 is a top perspective view of a second embodiment of a cosmetic applicator;

FIG. 10 is a bottom perspective view of the second embodiment of a cosmetic applicator.

FIG. 11 is a right side view of the second embodiment of a cosmetic applicator.

FIG. 12 is a left side view of the second embodiment of a cosmetic applicator.

FIG. 13 is a front view of the second embodiment of a cosmetic applicator.

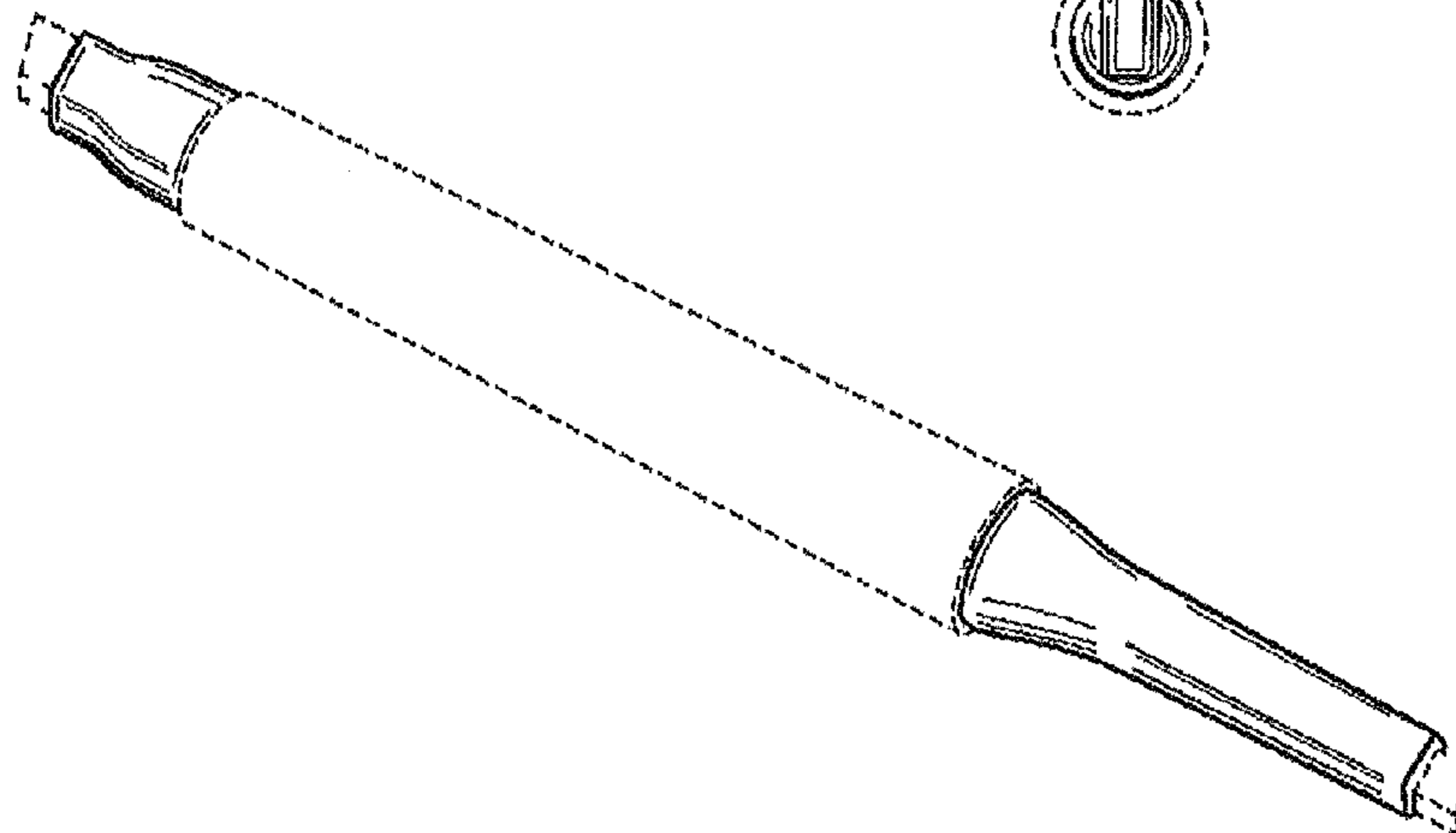
FIG. 14 is a back view of the second embodiment of a cosmetic applicator.

FIG. 15 is a top view of the second embodiment of a cosmetic applicator; and,

FIG. 16 is a bottom view of the second embodiment of a cosmetic applicator.

The broken lines shown in the drawings depict boundaries of handle and tip portions of the cosmetic applicator and form no part of the claimed design.

1 Claim, 6 Drawing Sheets



(56)

References Cited

U.S. PATENT DOCUMENTS

D580,489 S *	11/2008	Ma	D19/117	D662,978 S *	7/2012	Xie	D19/163
D605,694 S *	12/2009	Zhang	D19/117	8,545,120 B2 *	10/2013	Breidenbach	A45D 34/06 401/17
D634,478 S *	3/2011	Kolas	D28/77	9,113,694 B2 *	8/2015	Azar	A45D 40/24
D654,537 S *	2/2012	Hung	D19/117	D742,589 S *	11/2015	Rizzo	D28/7

* cited by examiner

Fig. 1

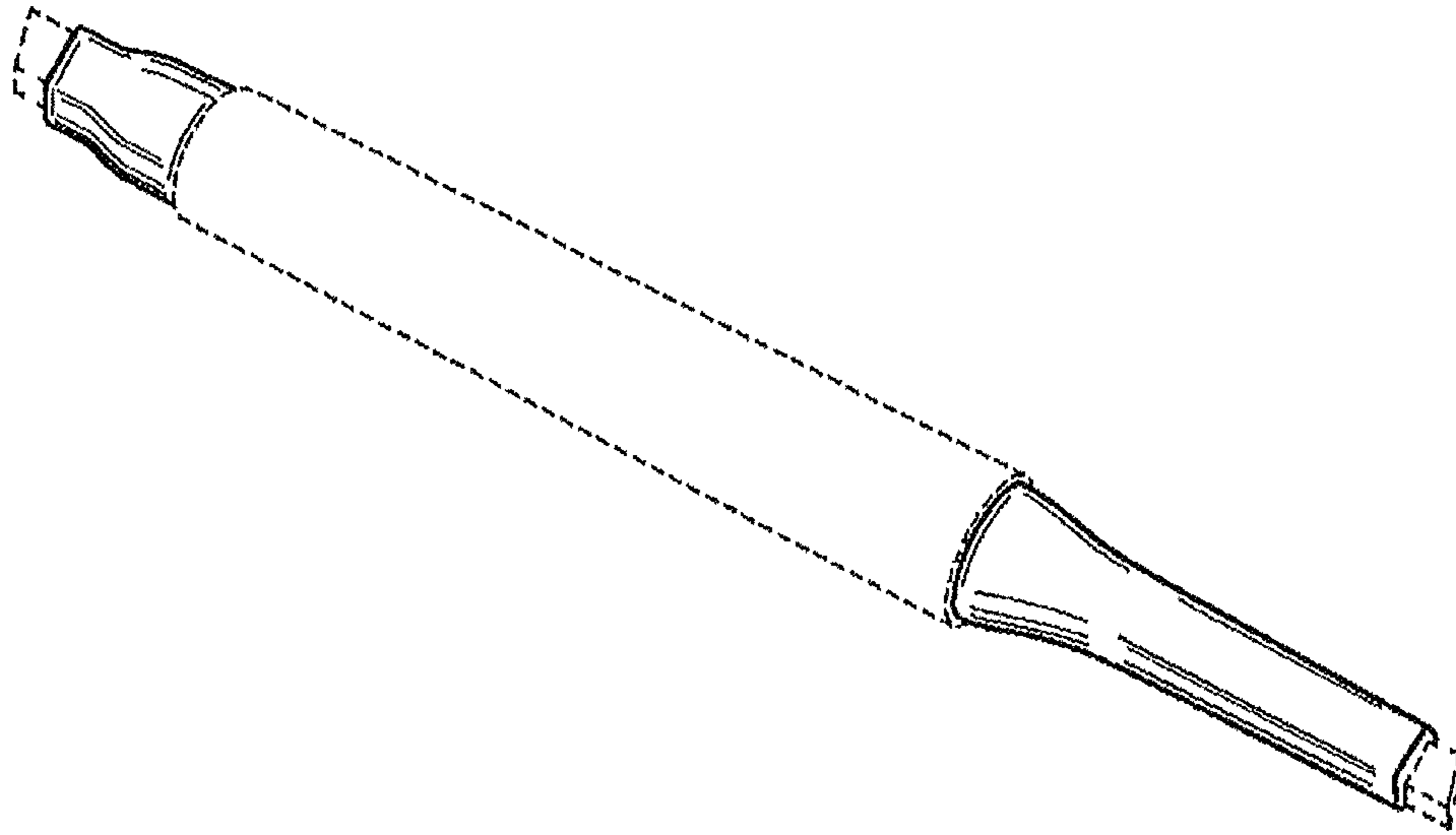


Fig. 2

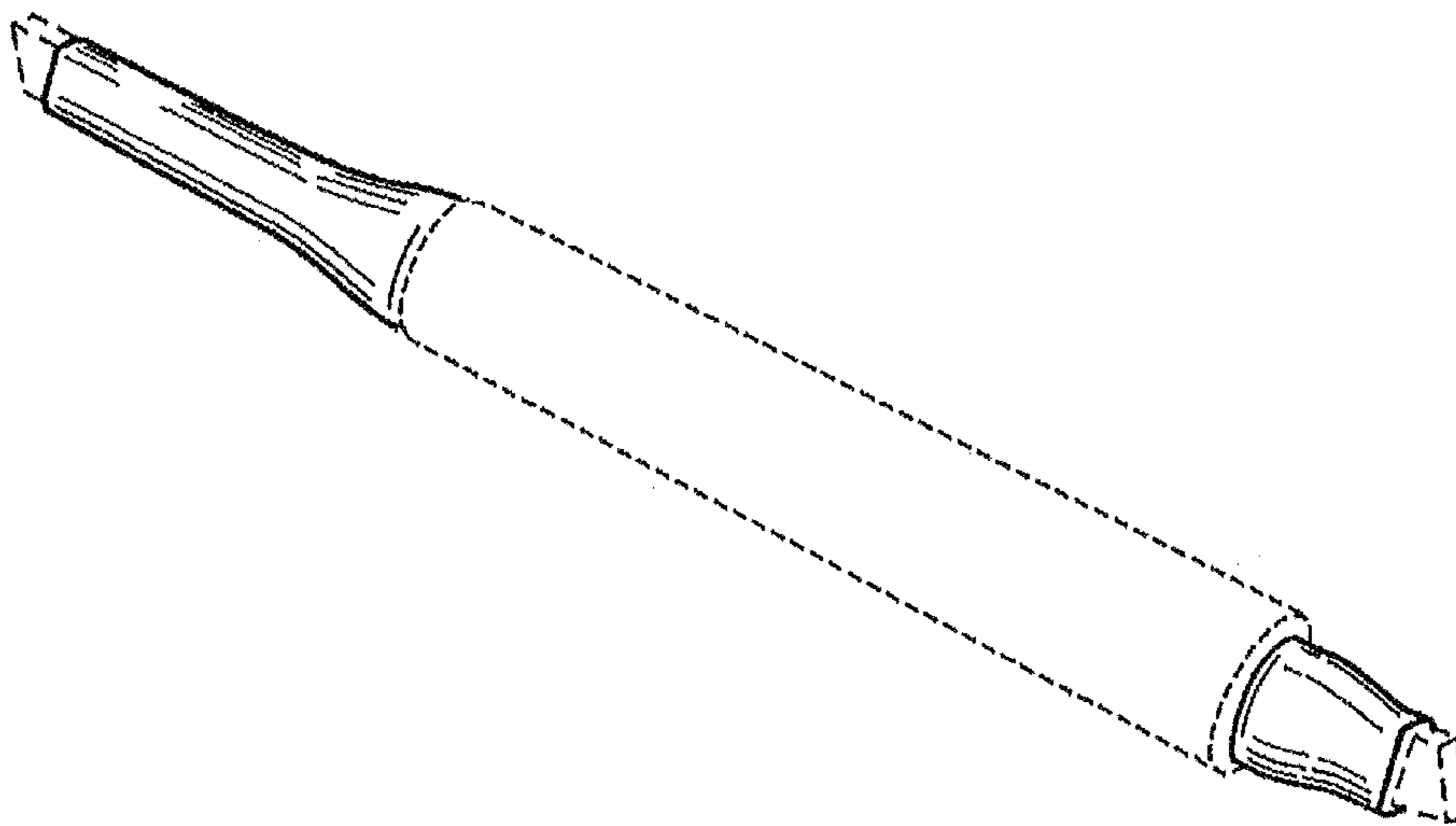


Fig. 3

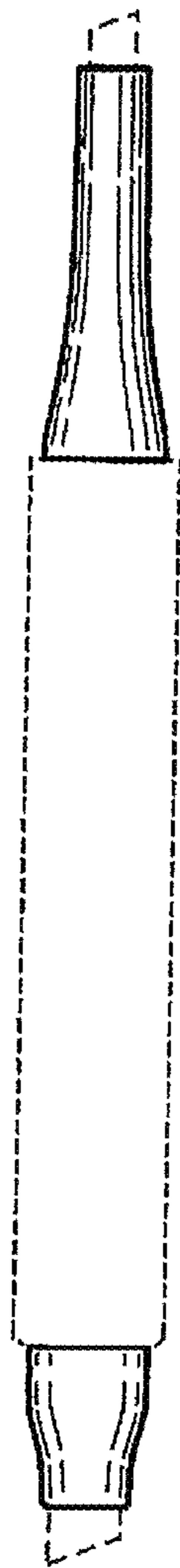


Fig. 4

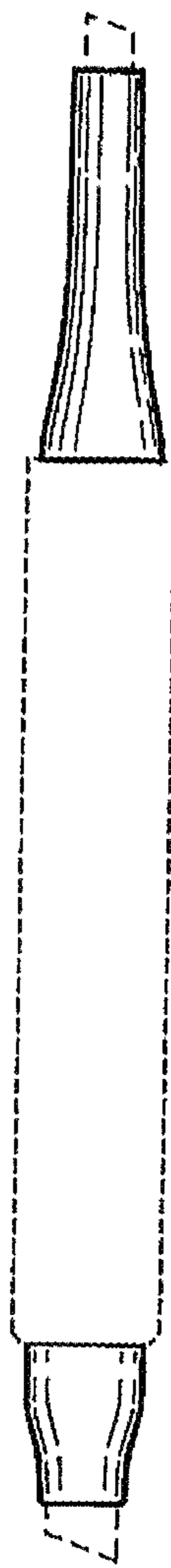


Fig. 5



Fig. 6

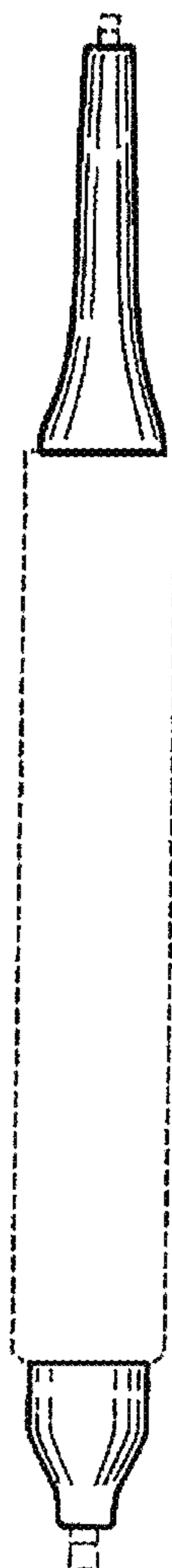


Fig. 7



Fig. 8



Fig. 9

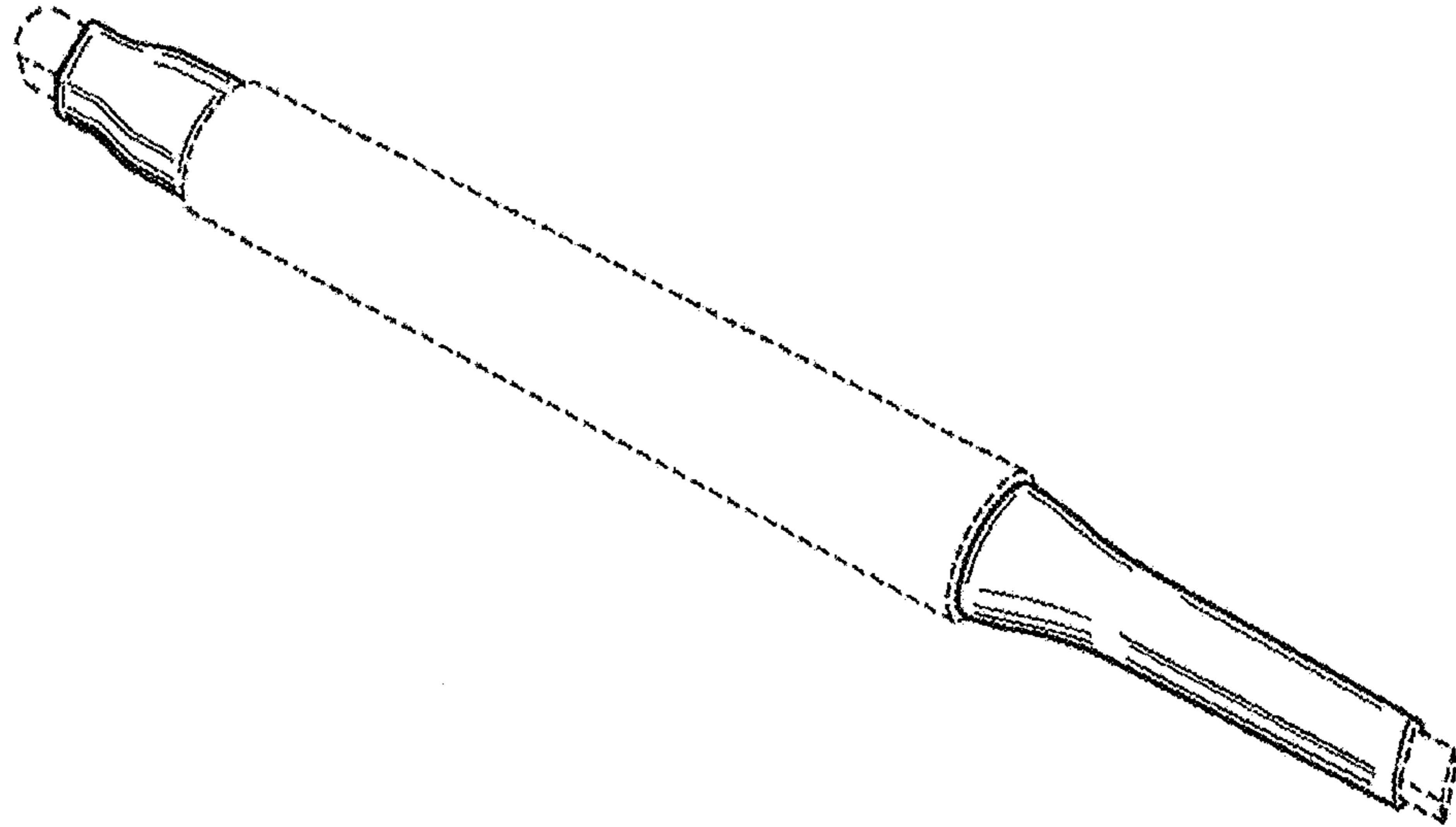


Fig. 10

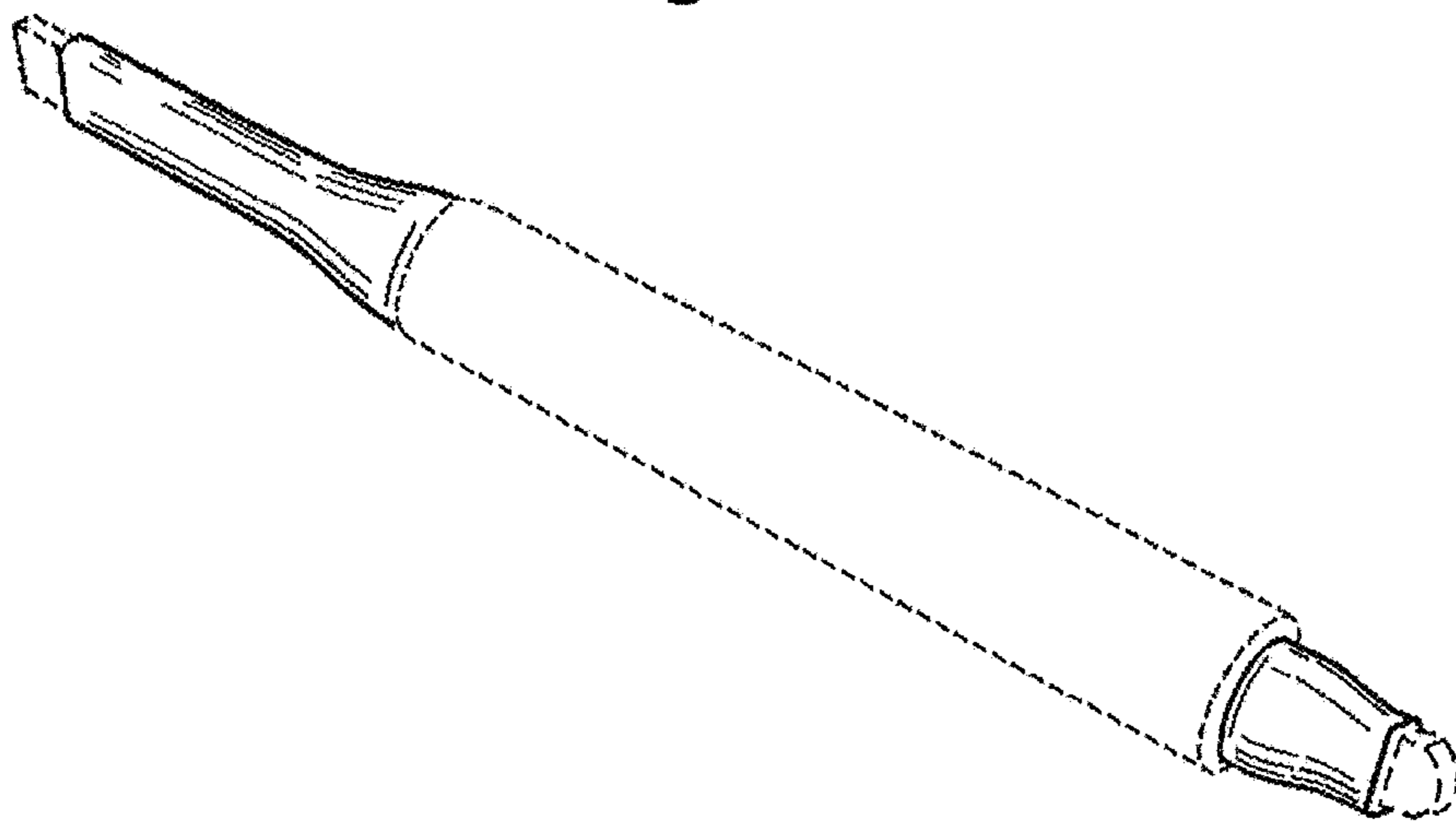


Fig. 11

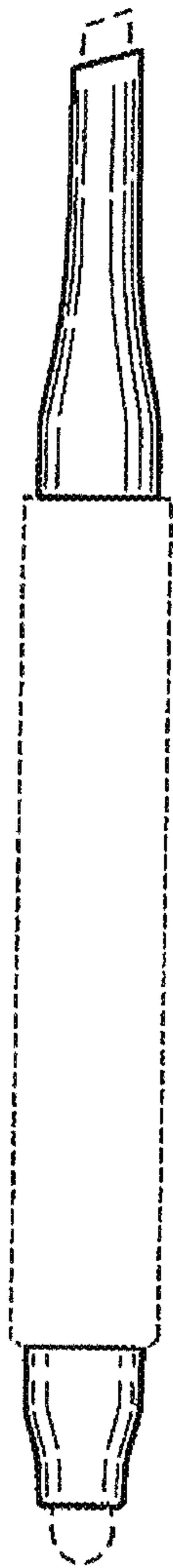


Fig. 12



Fig. 13



Fig. 14



Fig. 15



Fig. 16

