



US00D773729S

(12) **United States Design Patent** (10) **Patent No.:** **US D773,729 S**
Jordan et al. (45) **Date of Patent:** **** Dec. 6, 2016**

(54) **BATTERY SECTION OF AN ELECTRONIC VAPING DEVICE**

FOREIGN PATENT DOCUMENTS

(71) Applicants: **Geoffrey B. Jordan**, Midlothian, VA (US); **Sean Sunberg**, Richmond, VA (US); **Bipin Patil**, Richmond, VA (US); **Charles Dendy**, Richmond, VA (US)

CN 203262285 U 11/2013

(72) Inventors: **Geoffrey B. Jordan**, Midlothian, VA (US); **Sean Sunberg**, Richmond, VA (US); **Bipin Patil**, Richmond, VA (US); **Charles Dendy**, Richmond, VA (US)

OTHER PUBLICATIONS

<<http://kelvin.en.made-in-china.com/productimage/FghEJNdCeOVw-2f1j00KeBtCALgEiYE/China-High-Quality-Triangular-Trimark-E-Cigarette.html>> , Copyright 2015, Focus Technology Co., Ltd.

(73) Assignee: **Altria Client Services LLC**, Richmond, VA (US)

Primary Examiner — Robert M Spear

Assistant Examiner — Marissa J Cash

(74) *Attorney, Agent, or Firm* — Harness, Dickey & Pierce, P.L.C.

(**) Term: **15 Years**

(57) **CLAIM**

(21) Appl. No.: **29/531,415**

The ornamental design for a battery section of an electronic vaping device, as shown and described.

(22) Filed: **Jun. 25, 2015**

(51) **LOC (10) Cl.** **27-99**

(52) **U.S. Cl.**
USPC **D27/194**

DESCRIPTION

(58) **Field of Classification Search**
USPC D3/20; D13/107, 118, 119, 184; D19/23, D19/115; D27/100, 101, 162, 170, 175, 183, D27/186, 187, 189, 193, 194
CPC A24F 47/008; A24F 47/002; A24F 15/18; A24F 13/02; A24F 13/06; A24F 15/00; A24F 7/04

FIG. 1 is a rear perspective view of the battery section of an electronic vaping device;
FIG. 2 is a rear view of the battery section of an electronic vaping device;
FIG. 3 is a front view of the battery section of an electronic vaping device;
FIG. 4 is a side view of the battery section of an electronic vaping device;
FIG. 5 is a top view of the battery section of an electronic vaping device;
FIG. 6 is a bottom view of the battery section of an electronic vaping device; and,
FIG. 7 is a front perspective view of the battery section of an electronic vaping device.

See application file for complete search history.

In the drawings, the claimed design is defined by the shaded surfaces; broken lines immediately adjacent shaded surface represent boundaries of the claim and form no part thereof; all other broken lines depict unclaimed environmental subject matter and form no part of the claim.

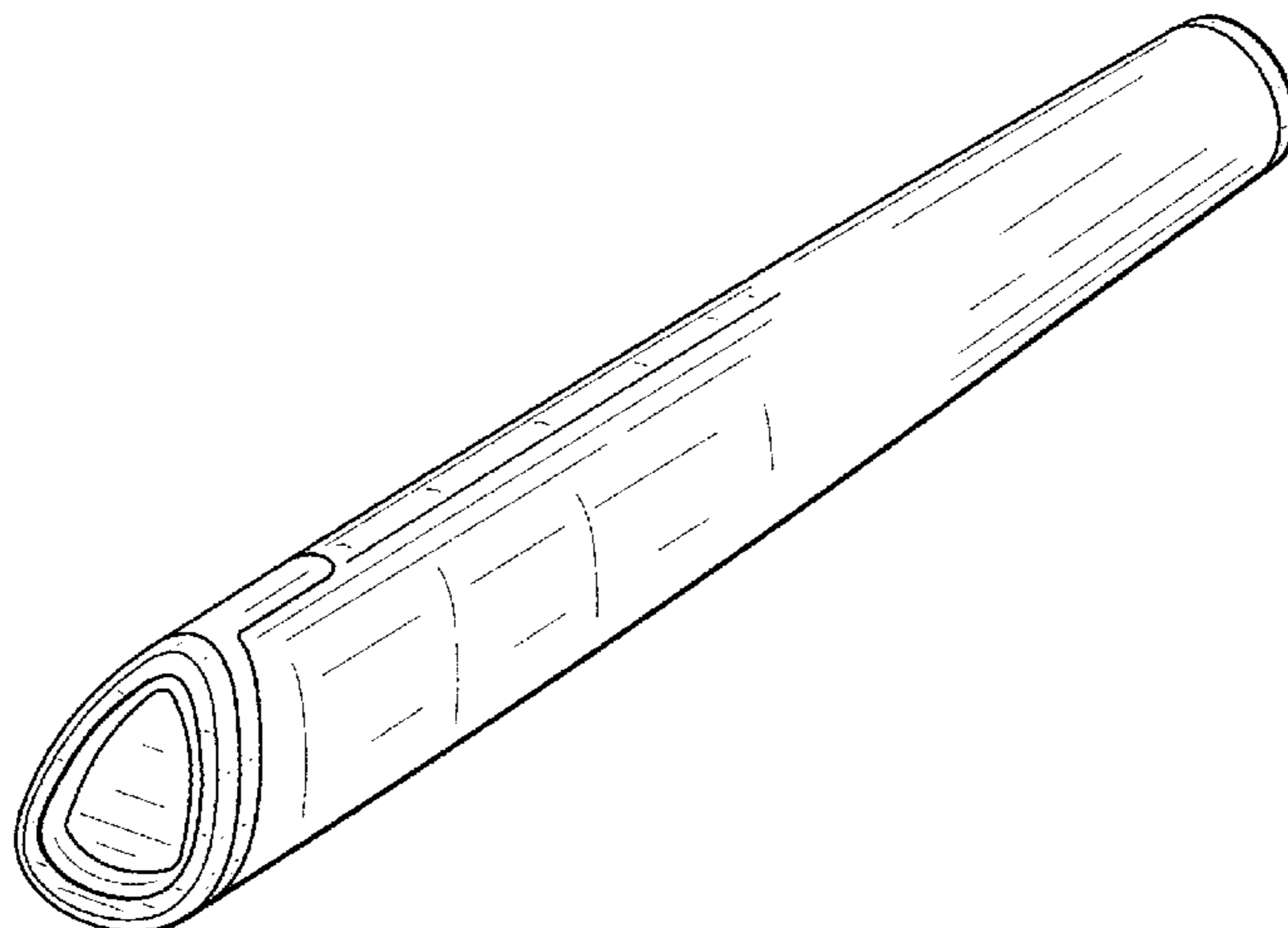
(56) **References Cited**

U.S. PATENT DOCUMENTS

D142,842 S * 11/1945 Daze D27/170
D148,256 S 12/1947 Sovereign
2,650,570 A 9/1953 Voelcker
D204,735 S 5/1966 Rogers
D205,754 S 9/1966 Hall
D210,732 S 4/1968 Anderson
D212,208 S 9/1968 Rogers
3,587,573 A 6/1971 Flack

(Continued)

1 Claim, 4 Drawing Sheets



(56)

References Cited

U.S. PATENT DOCUMENTS

D229,725 S 12/1973 Berger
 D229,788 S 1/1974 Berger
 D229,789 S 1/1974 Berger
 D229,790 S 1/1974 Berger
 D231,407 S 4/1974 Leedy
 D267,121 S 11/1982 Min
 D291,126 S 7/1987 Gaptjern
 D405,220 S * 2/1999 Dal Monte D27/101
 D409,563 S 5/1999 Haase et al.
 D432,689 S 10/2000 Yuen
 D436,998 S 1/2001 Brouwer et al.
 D457,567 S 5/2002 Christianson
 D460,971 S 7/2002 Sica et al.
 D489,679 S 5/2004 Wong
 D520,446 S 5/2006 Liu et al.
 D533,134 S 12/2006 Aglassinger
 D534,682 S * 1/2007 Malhi D27/183
 D539,732 S 4/2007 Aglassinger
 D548,880 S 8/2007 Leeds et al.
 D555,085 S * 11/2007 Kim D13/103
 D563,314 S 3/2008 Kingston et al.
 D621,347 S 8/2010 Aulwes et al.
 D662,469 S 6/2012 Mulder et al.

D692,613 S * 10/2013 Morreale D27/170
 D724,262 S 3/2015 Hearn et al.
 D724,781 S 3/2015 Hearn et al.
 D725,821 S 3/2015 Levin et al.
 D728,154 S * 4/2015 Lavanchy D27/100
 D729,439 S * 5/2015 Scatterday D27/101
 D730,571 S * 5/2015 Chen D27/101
 D742,021 S * 10/2015 Labuschagne D24/200
 D749,509 S * 2/2016 Blau D13/108
 2009/0283103 A1 11/2009 Nielsen et al.
 2013/0140200 A1 * 6/2013 Scatterday A24F 15/00
 206/265
 2013/0169230 A1 7/2013 Li et al.
 2013/0300350 A1 11/2013 Xiang
 2013/0327345 A1 * 12/2013 Clarke A24C 5/60
 131/274
 2014/0014124 A1 1/2014 Glasberg et al.
 2014/0053857 A1 2/2014 Liu
 2014/0224267 A1 8/2014 Levitz et al.
 2015/0020831 A1 1/2015 Weigensberg et al.
 2015/0027472 A1 1/2015 Amir
 2015/0090278 A1 4/2015 Schiff et al.
 2015/0245657 A1 * 9/2015 Memari A24F 15/12
 141/18

* cited by examiner

FIG. 1

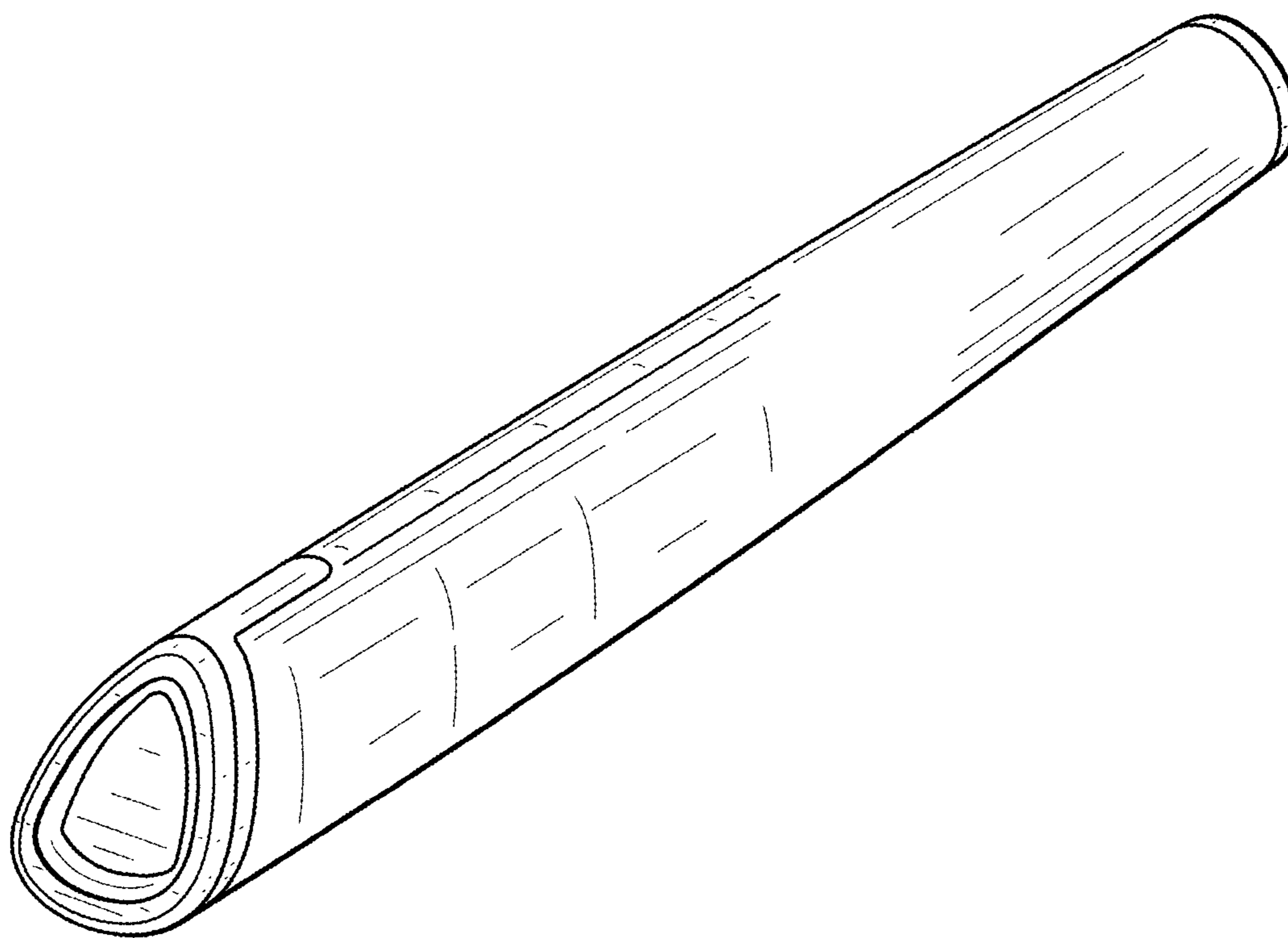


FIG. 2

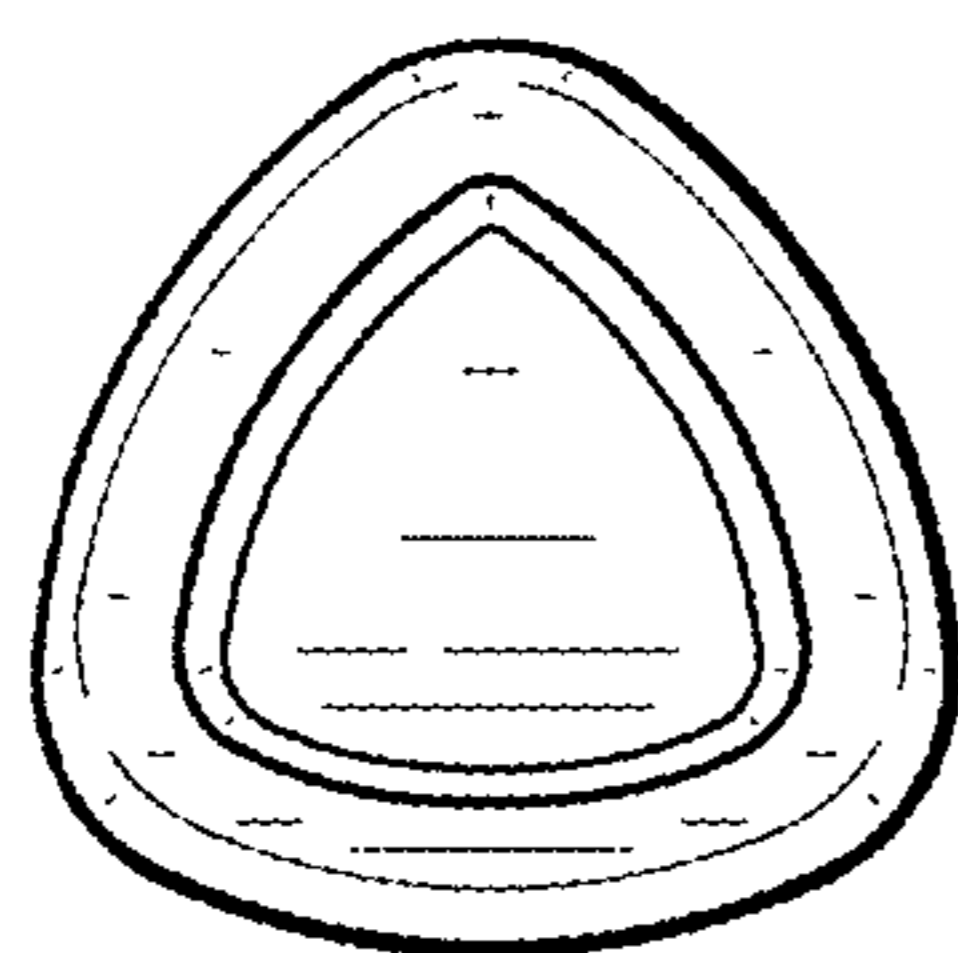


FIG. 3

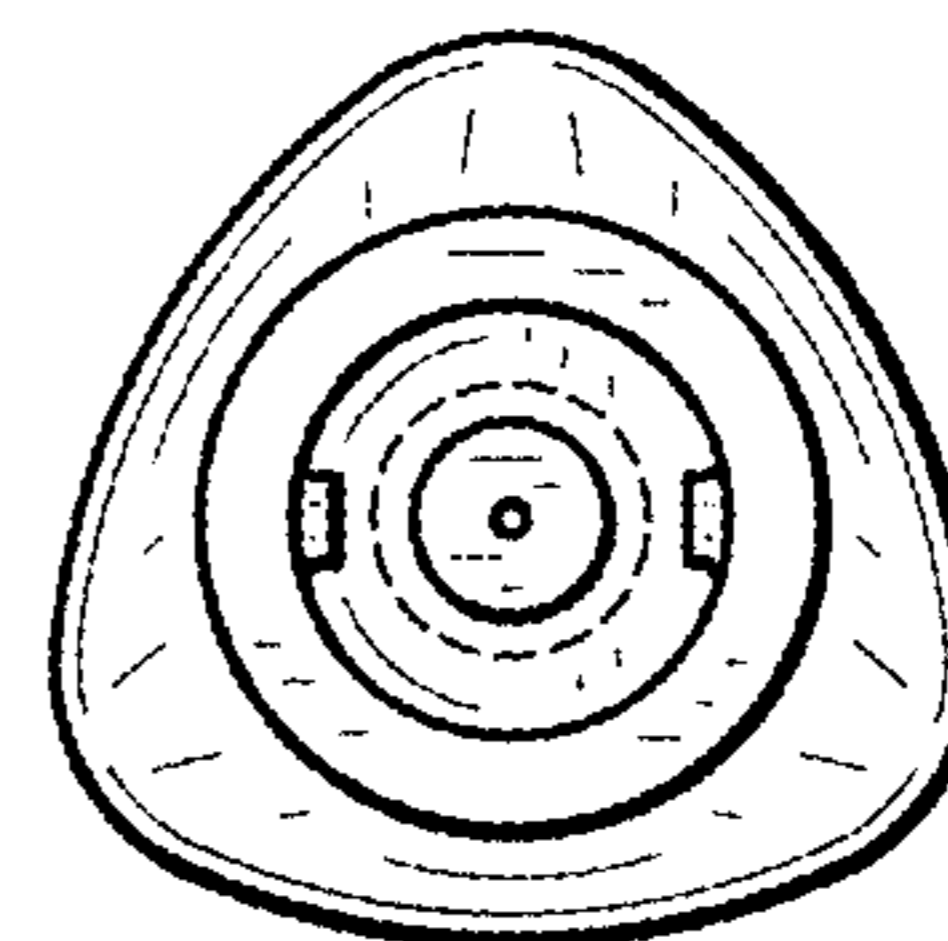


FIG. 4

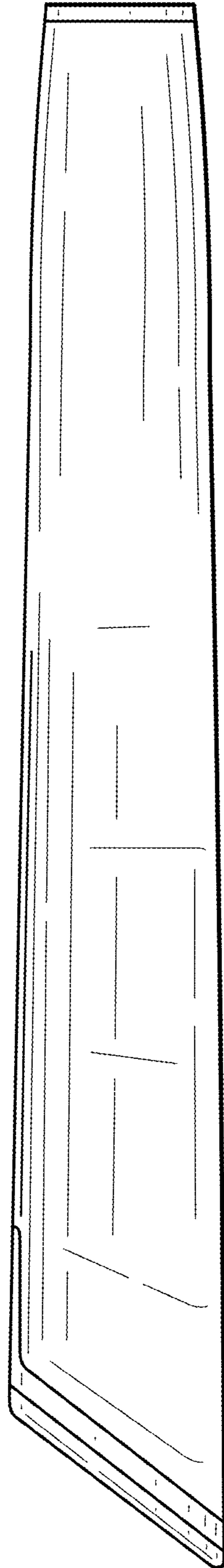


FIG. 5

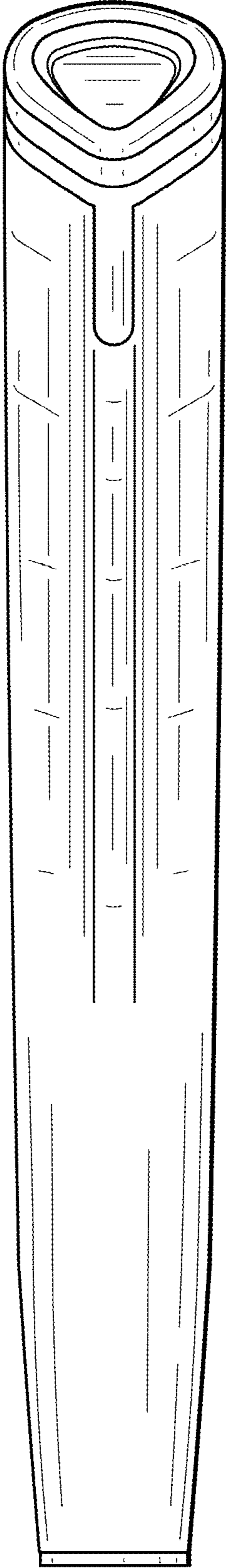


FIG. 6

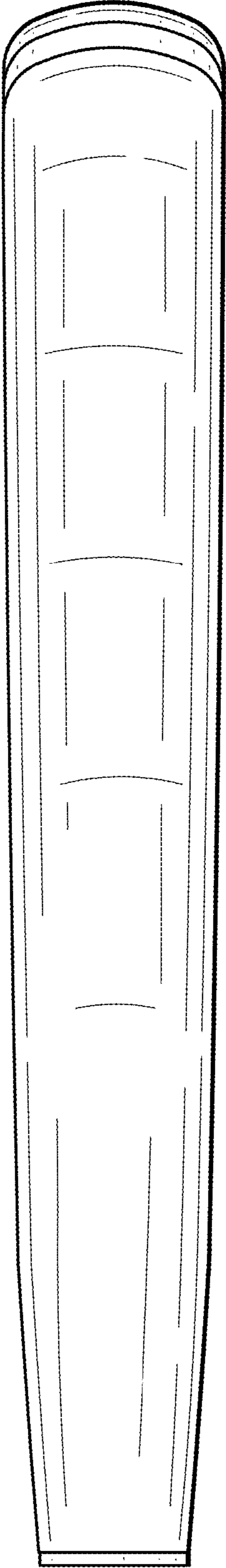
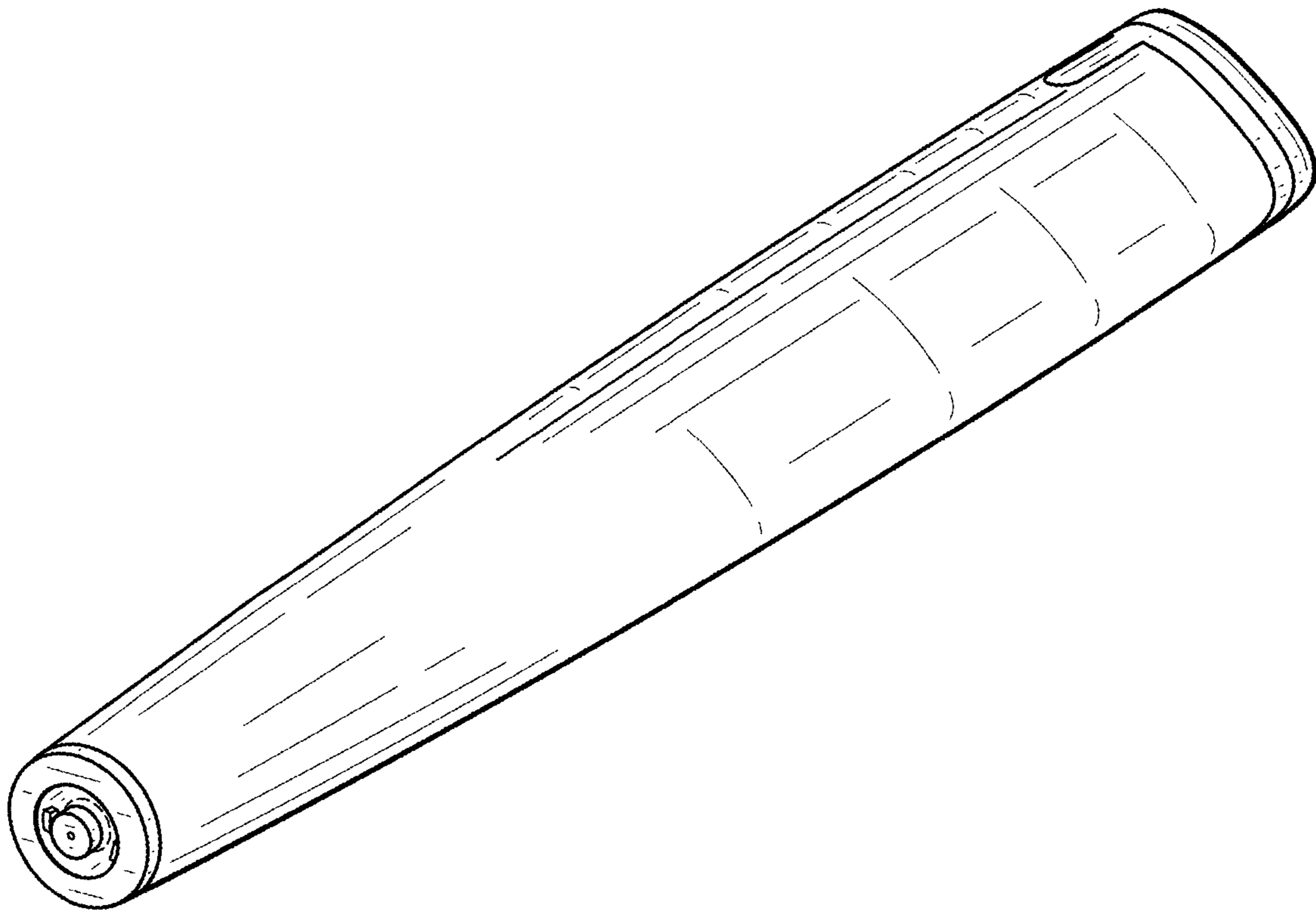


FIG. 7



UNITED STATES PATENT AND TRADEMARK OFFICE
CERTIFICATE OF CORRECTION

PATENT NO. : D773,729 S
APPLICATION NO. : 29/531415
DATED : December 6, 2016
INVENTOR(S) : Geoffrey B. Jordan et al.

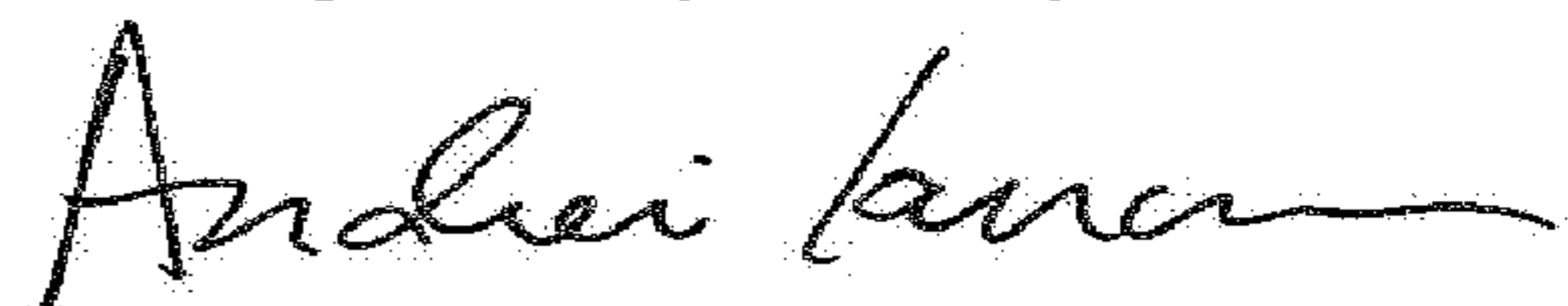
Page 1 of 1

It is certified that error appears in the above-identified patent and that said Letters Patent is hereby corrected as shown below:

On the Title Page

(71) Applicant should read: Altria Client Services LLC

Signed and Sealed this
Eighth Day of May, 2018



Andrei Iancu
Director of the United States Patent and Trademark Office