



US00D773728S

(12) **United States Design Patent** (10) **Patent No.:** **US D773,728 S**  
**Eksouzian** (45) **Date of Patent:** **\*\* Dec. 6, 2016**

(54) **VAPORIZER**

(71) Applicant: **Cloud V Enterprises**, Glendale, CA (US)

(72) Inventor: **Vahan Eksouzian**, Glendale, CA (US)

(73) Assignee: **Cloud V Enterprises**, Glendale, CA (US)

(\*\*) Term: **15 Years**

(21) Appl. No.: **29/546,858**

(22) Filed: **Nov. 25, 2015**

(51) **LOC (10) Cl.** ..... **27-02**

(52) **U.S. Cl.**  
USPC ..... **D27/162**

(58) **Field of Classification Search**  
USPC ..... D27/100, 101, 162, 163-167, 169, 170, D27/171, 193, 194; D23/202; D13/103; D11/131.139, 143, 146, 152, 154; D26/9-11, 16, 19  
CPC ..... A24F 47/008; A24F 47/002; A24F 15/12; A24F 47/00  
See application file for complete search history.

(56) **References Cited**

**U.S. PATENT DOCUMENTS**

D223,879 S *	6/1972	Chernack .....	D27/194
D532,372 S *	11/2006	Keating .....	D13/108
D539,216 S *	3/2007	Hamaguchi .....	D13/103
D539,218 S *	3/2007	Gaber .....	D13/108
D684,311 S *	6/2013	Liu .....	D27/101
D693,053 S *	11/2013	Chen .....	D27/101
D722,956 S *	2/2015	Alima .....	D13/103
D728,154 S *	4/2015	Lavanchy .....	D27/100

D752,277 S *	3/2016	Liu .....	D27/101
D755,440 S *	5/2016	Collen .....	D27/163
2015/0296889 A1 *	10/2015	Liu .....	A24F 47/008 131/329
2016/0073694 A1 *	3/2016	Liu .....	A24F 47/008 131/329
2016/0144458 A1 *	5/2016	Boldrini .....	B23K 31/02 228/176

**OTHER PUBLICATIONS**

Cloud Electro Portable E-nail by Cloud V dated 2015. found online [Jul. 20, 2016] <http://cloudvapes.com/store/index.php/vaporizers/cloud-electro-portable-enail/cloud-electro-portable-e-nail>.\*

\* cited by examiner

*Primary Examiner* — Robert M Spear  
*Assistant Examiner* — Marissa J Cash  
(74) *Attorney, Agent, or Firm* — Shenkman & Hughes P.C.; Kevin Shenkman

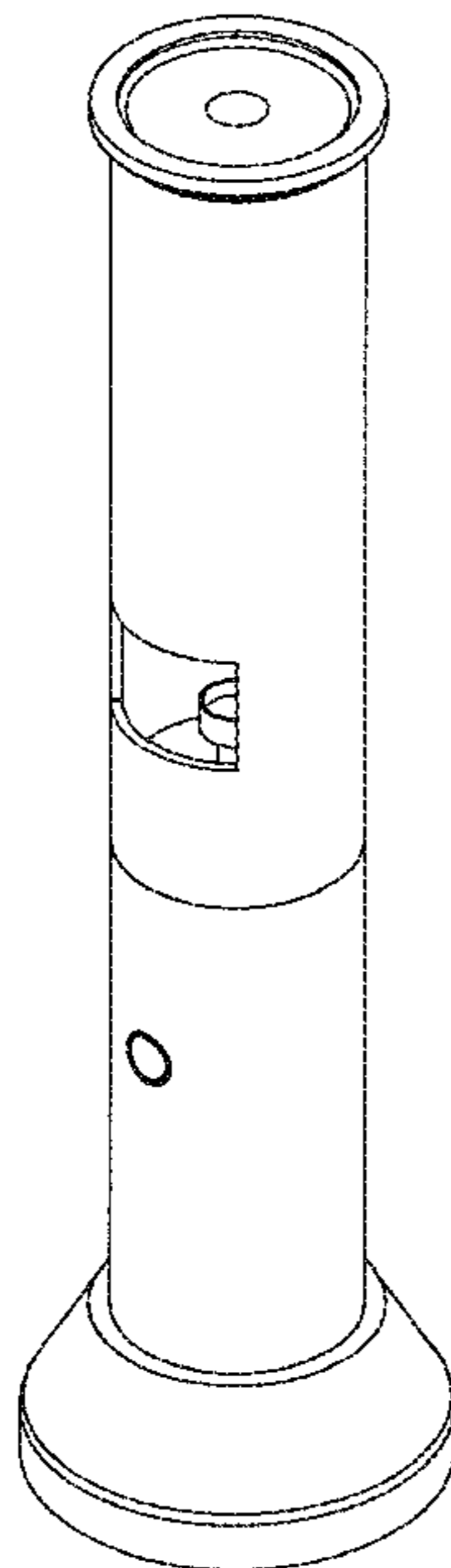
(57) **CLAIM**

The ornamental design for a vaporizer, shown and described.

**DESCRIPTION**

FIG. 1 is a perspective view of a vaporizer; FIG. 2 is a front view of the vaporizer; FIG. 3 is a side view of the vaporizer; FIG. 4 is a side view of the vaporizer from the opposite side as FIG. 3; FIG. 5 is a top view of the vaporizer; and, FIG. 6 is a bottom view of the vaporizer.

**1 Claim, 6 Drawing Sheets**



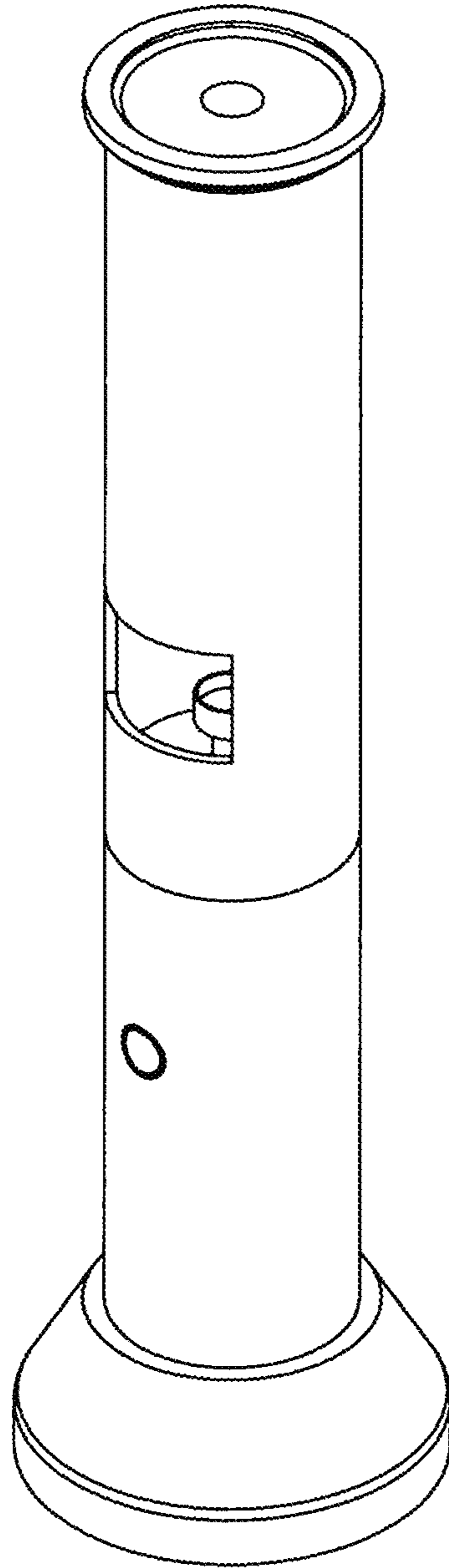


FIG. 1

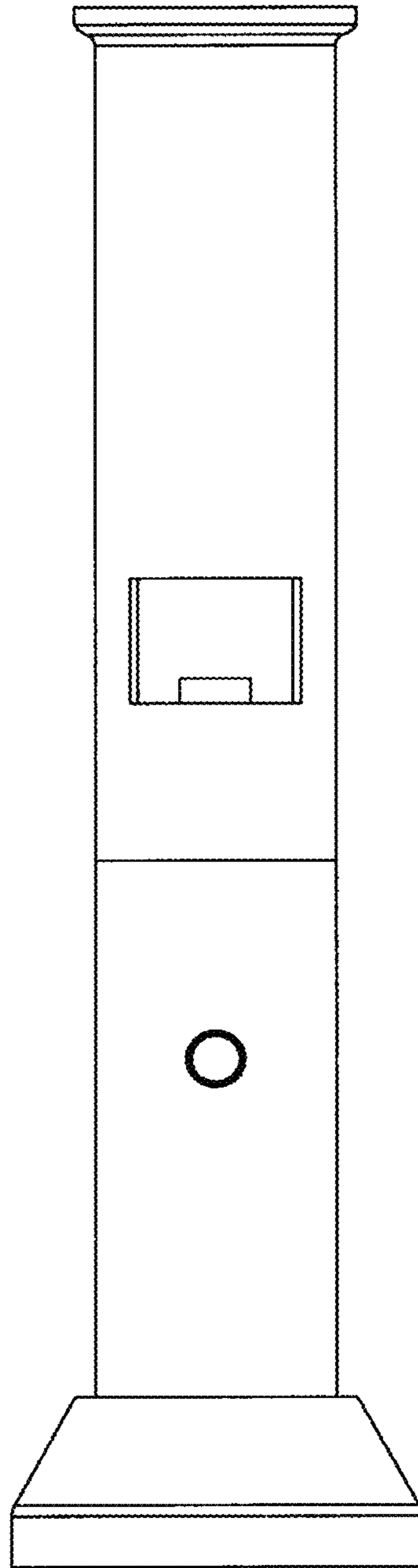


FIG. 2

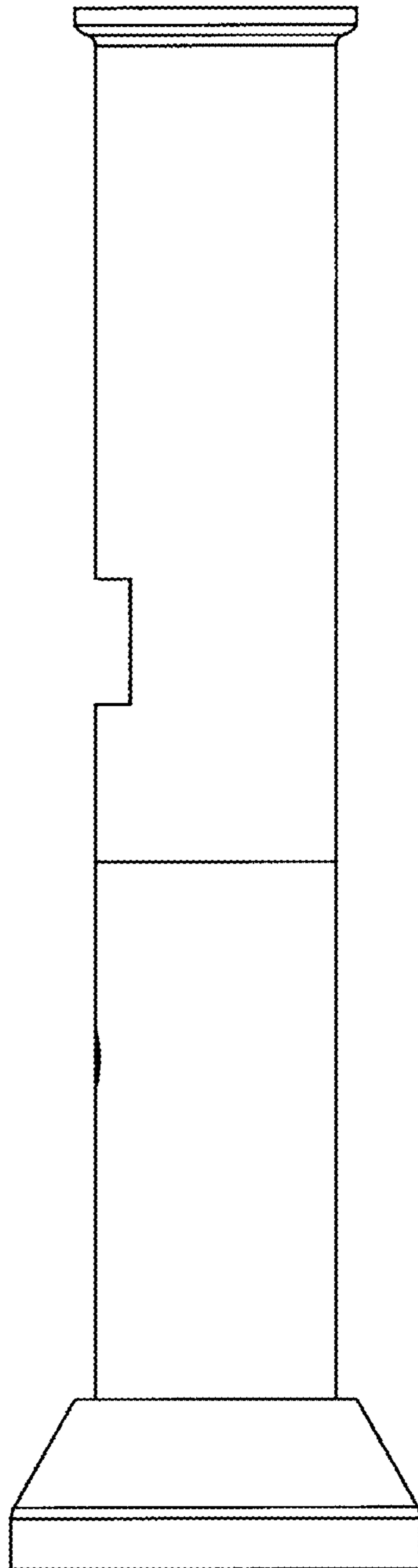


FIG. 3

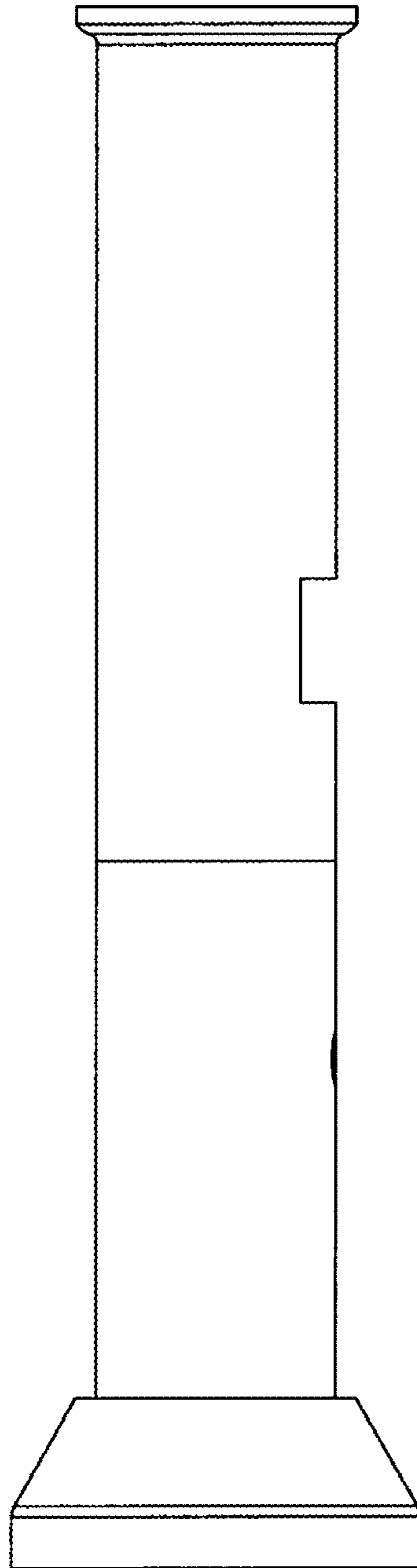


FIG. 4

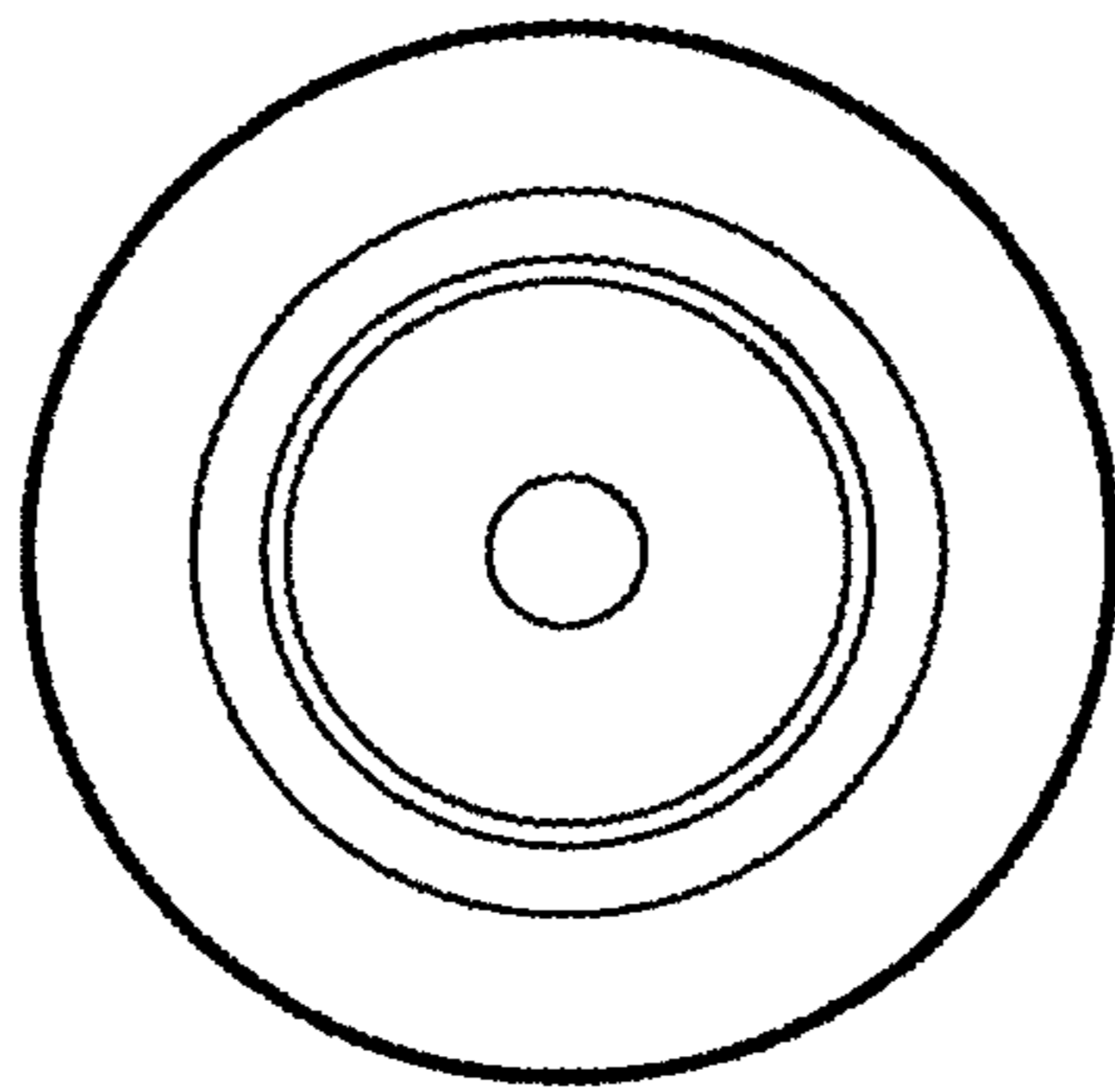


FIG. 5

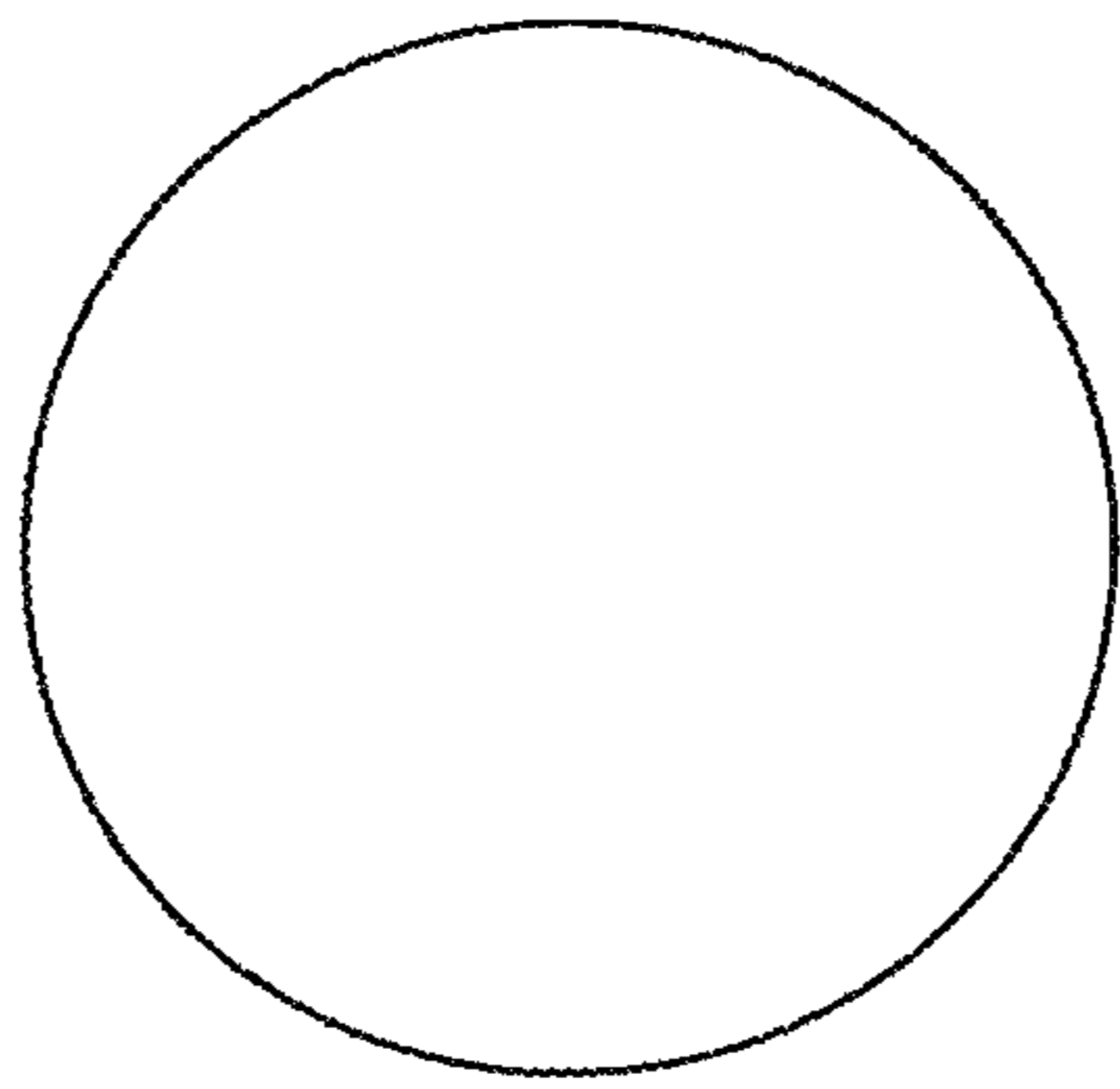


FIG. 6