



US00D773726S

(12) **United States Design Patent** (10) **Patent No.:** **US D773,726 S**  
**Sonneman** (45) **Date of Patent:** **\*\* Dec. 6, 2016**

(54) **CIRCULAR CANOPY FOR LIGHT FIXTURES**

D631,573 S \* 1/2011 Yamamoto ..... D26/2  
D643,971 S \* 8/2011 Yamamoto ..... D26/138  
D741,538 S \* 10/2015 Ghasabi ..... D26/138

(71) Applicant: **Robert A Sonneman**, Mamaroneck, NY (US)

\* cited by examiner

(72) Inventor: **Robert A Sonneman**, Mamaroneck, NY (US)

*Primary Examiner* — George D Kirschbaum

*Assistant Examiner* — Natasha Vujcic

(74) *Attorney, Agent, or Firm* — Gottlieb, Rackman & Reisman P.C.

(\*\*) Term: **15 Years**

(57) **CLAIM**

(21) Appl. No.: **29/564,977**

The ornamental design for a circular canopy for light fixtures, as shown and described.

(22) Filed: **May 17, 2016**

**DESCRIPTION**

(51) **LOC (10) Cl.** ..... **26-99**

(52) **U.S. Cl.**  
USPC ..... **D26/142**

(58) **Field of Classification Search**  
USPC ..... D26/76, 78, 79, 80, 81, 82, 83, 85, 88, D26/90, 93, 110, 118, 119, 120, 121, 122, 138, D26/140-142  
CPC ..... F21S 4/00; F21S 4/003; F21S 4/006; F21S 4/007; F21S 4/008; F21S 6/004; F21S 6/005; F21K 9/54; F21V 15/01; F21V 15/013  
See application file for complete search history.

FIG. 1 is a perspective view of the circular canopy for light fixtures showing my new design;  
FIG. 2 is a front elevational view thereof, the rear elevational view being a mirror image;  
FIG. 3 is a right side elevational view thereof, the left side elevational view being a mirror image;  
FIG. 4 is a bottom plan view thereof;  
FIG. 5 is a perspective view of a second embodiment of my new design;  
FIG. 6 is a front elevational view thereof, the rear elevational view being a mirror image;  
FIG. 7 is a right side elevational view thereof, the left side elevational view being a mirror image; and,  
FIG. 8 is a bottom plan view thereof.

(56) **References Cited**

U.S. PATENT DOCUMENTS

3,836,766 A \* 9/1974 Auerbach ..... F21S 8/033 362/311.14  
D240,320 S \* 6/1976 Anderson ..... D26/85  
6,267,491 B1 \* 7/2001 Parrigin ..... F21S 48/255 362/153  
6,641,283 B1 \* 11/2003 Bohler ..... F21S 8/00 362/133  
D621,971 S \* 8/2010 Yamamoto ..... D26/2  
D628,722 S \* 12/2010 Yamamoto ..... D26/2

The top plan view of each embodiment is being plain and devoid of any ornamentation.

The break lines in FIGS. 1-3 and 5-6 indicate that the appearance of any portion of the canopy between the break lines forms no part of the claimed design.

The broken lines in the drawings illustrate portions of the circular canopy for light fixtures which form no part of the claimed design.

**1 Claim, 4 Drawing Sheets**

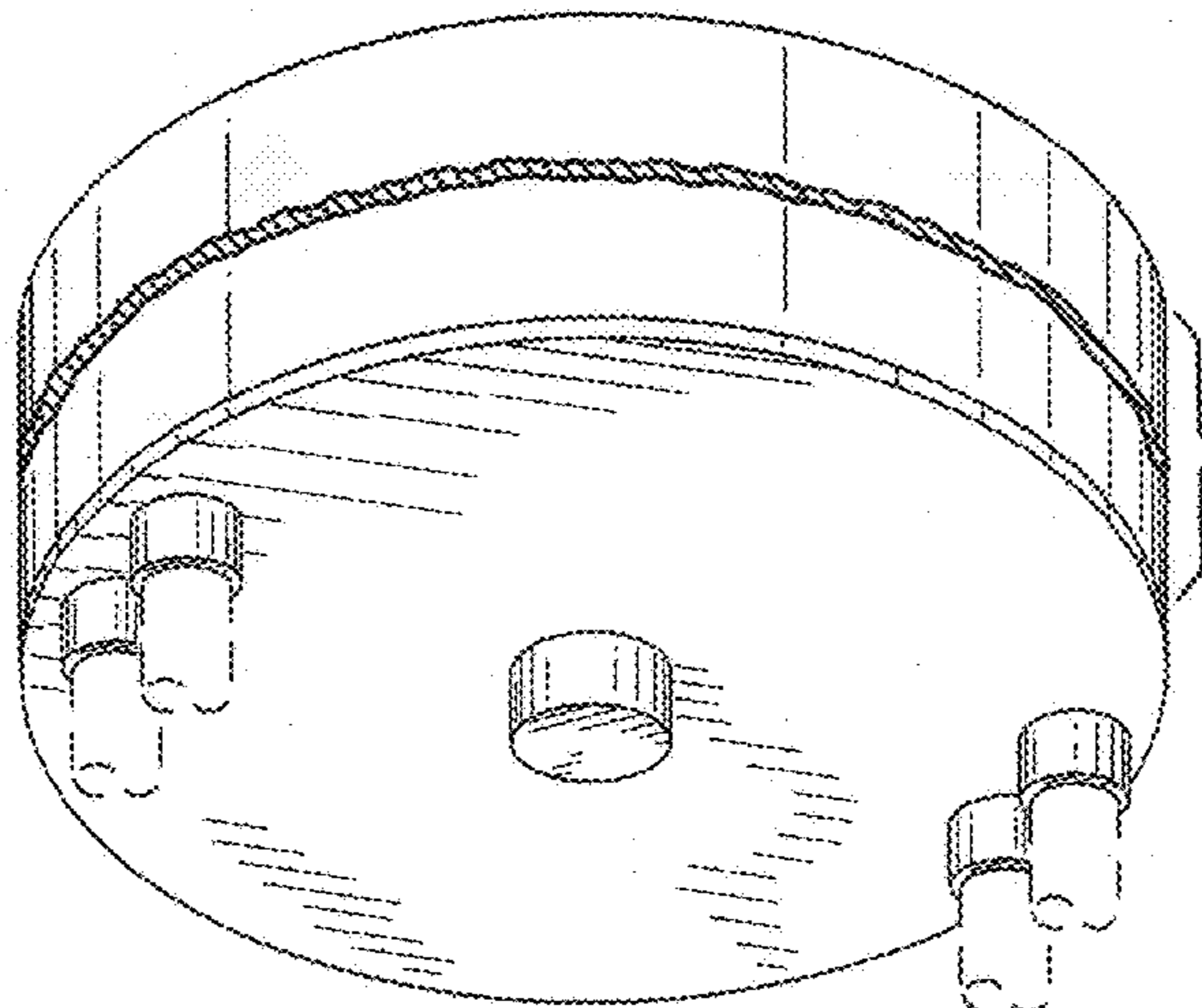


FIG. 1

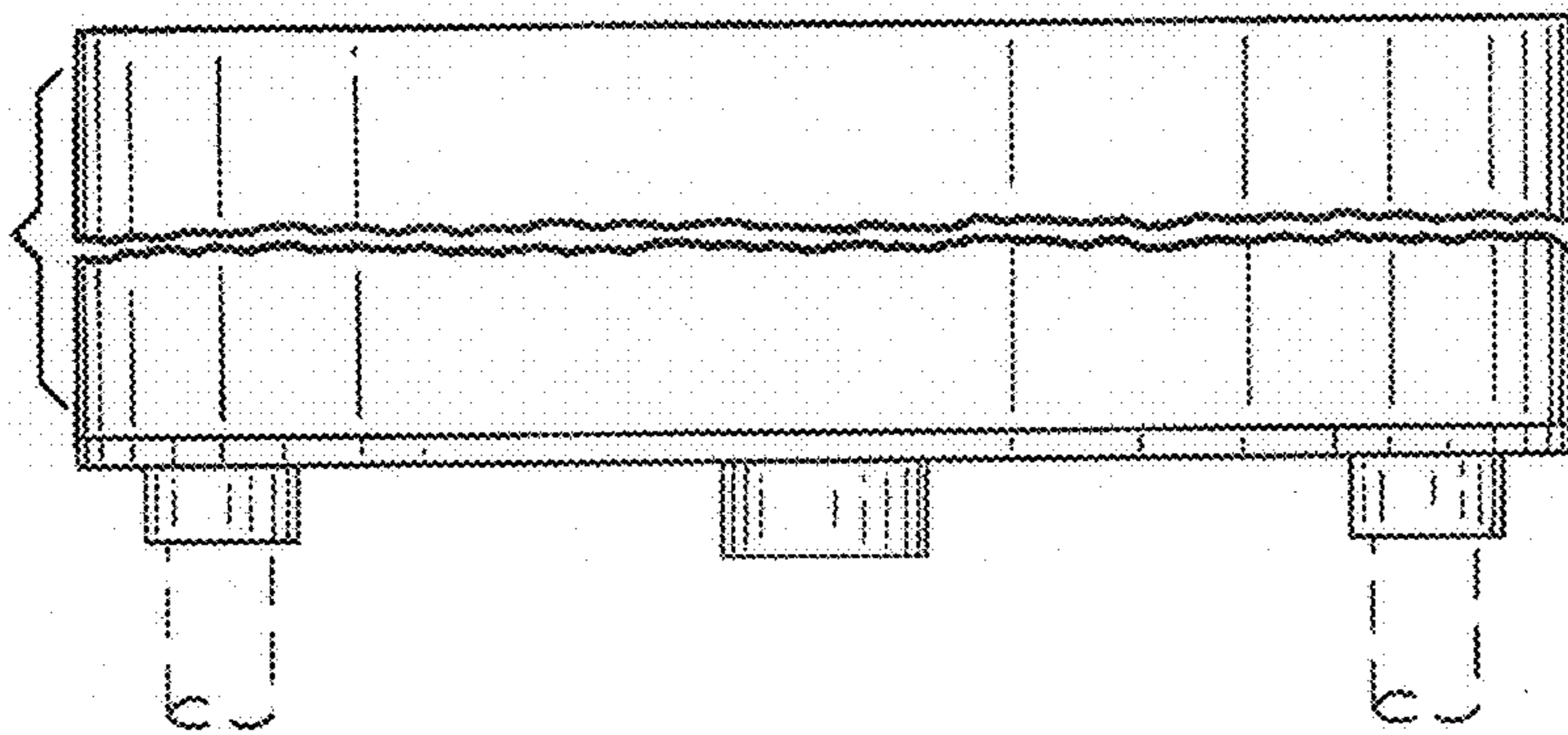
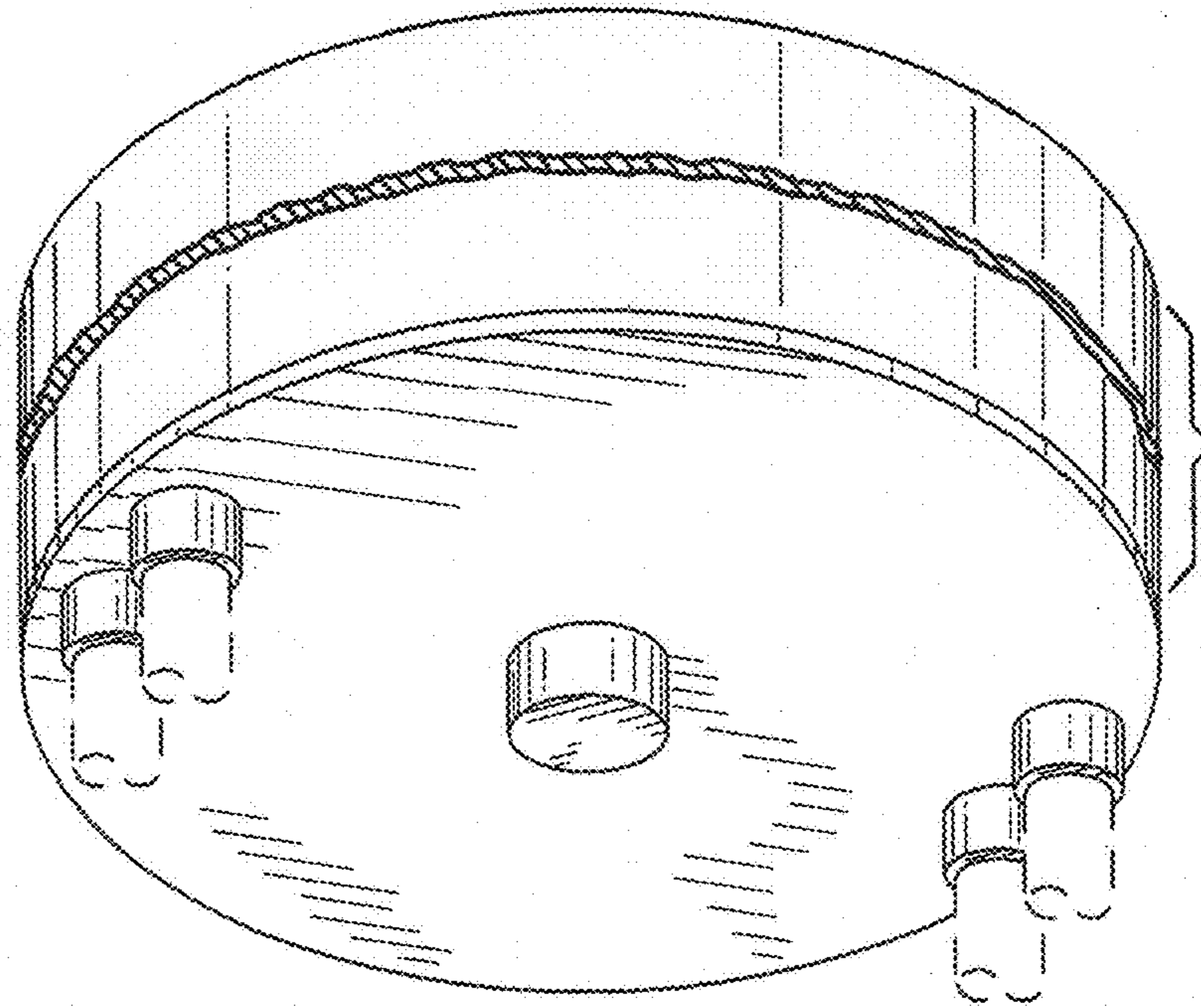


FIG. 2

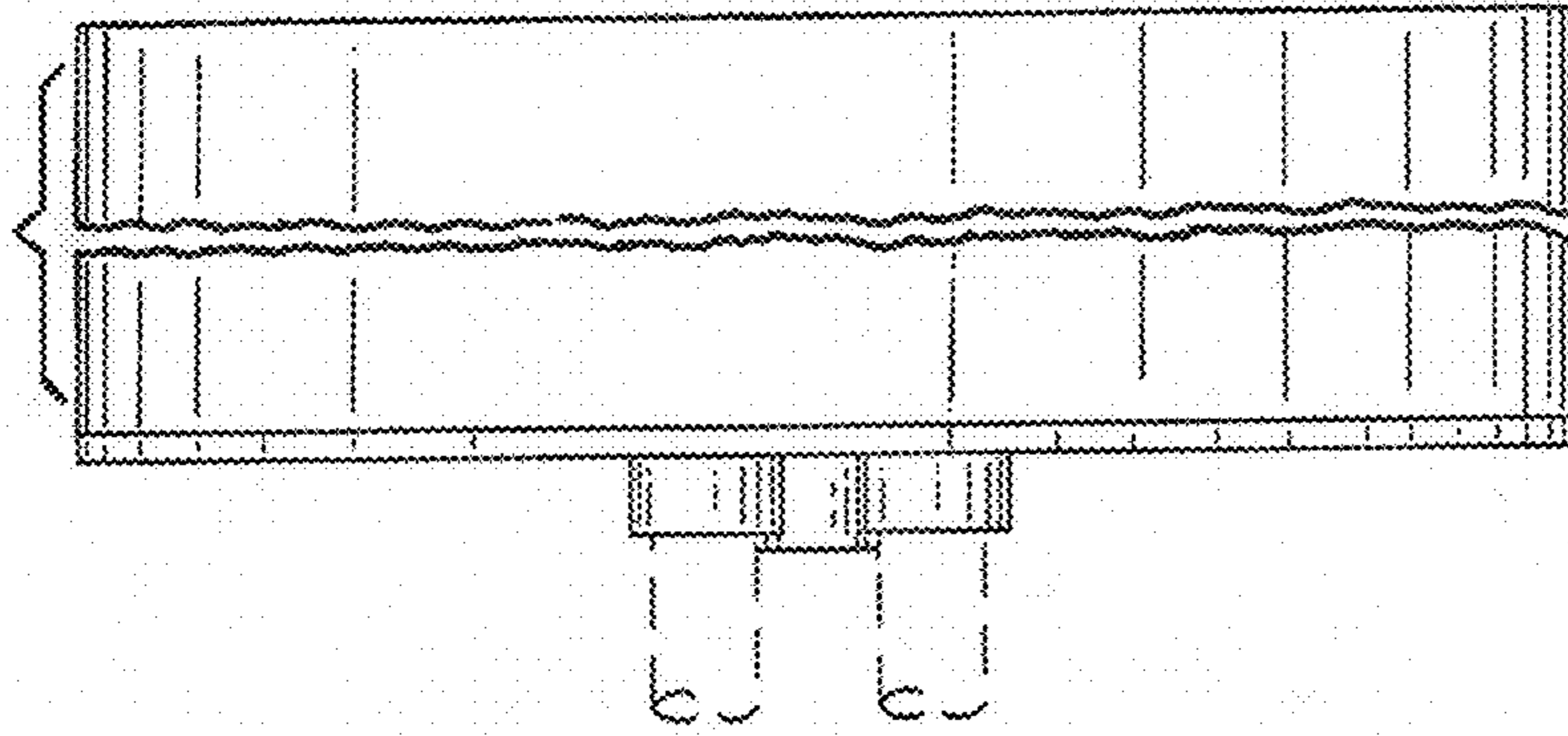


FIG. 3

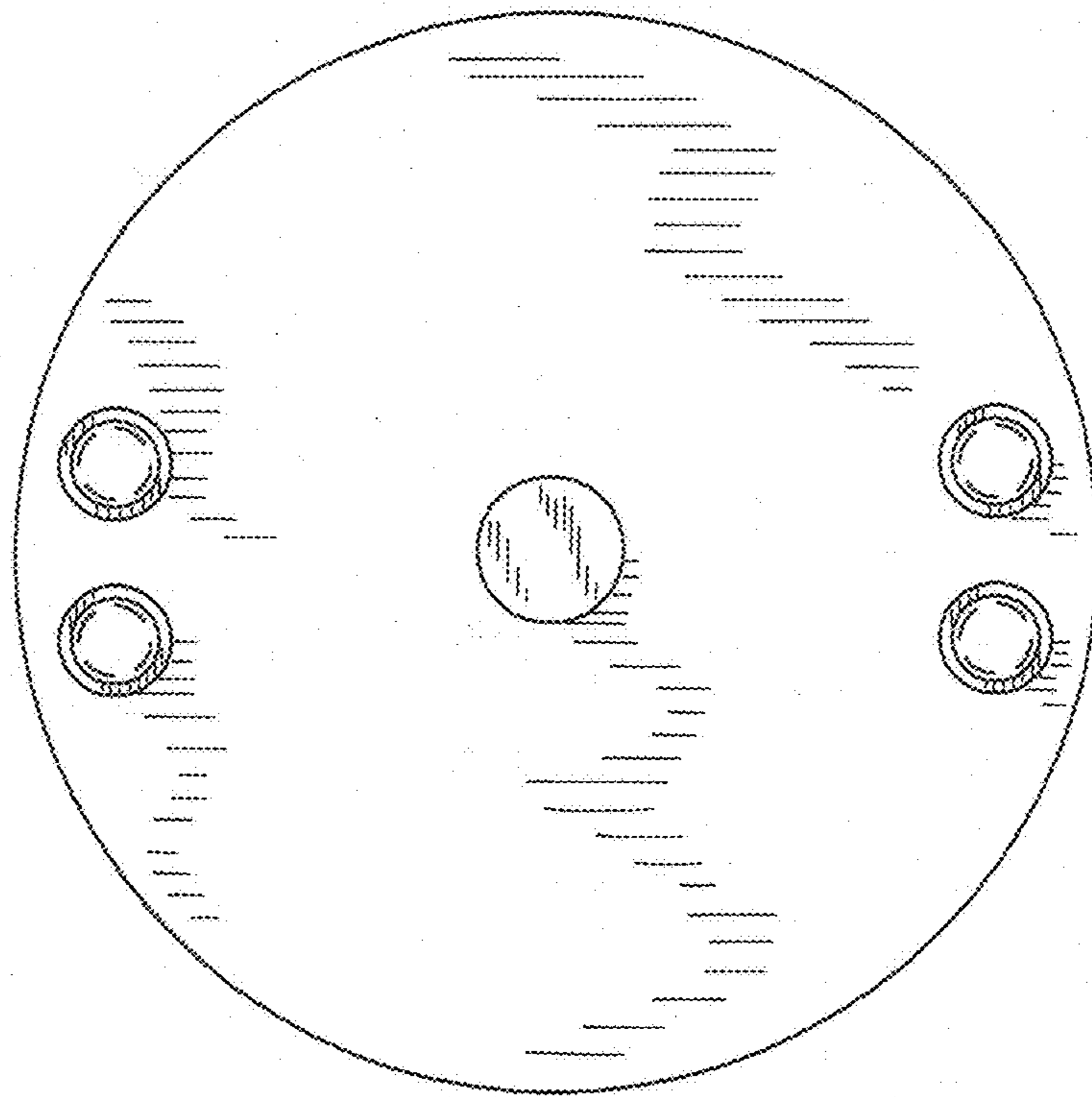


FIG. 4



FIG. 5

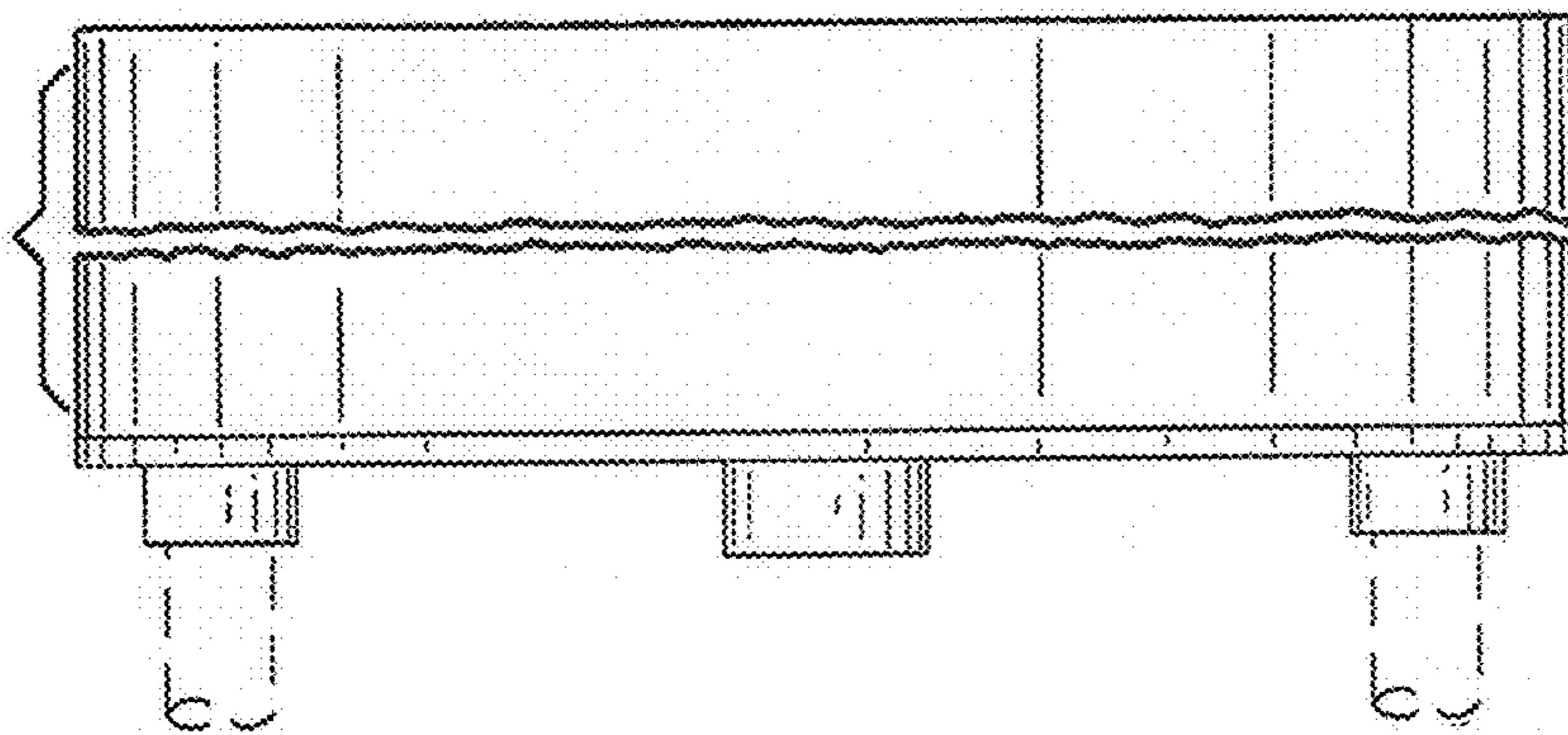
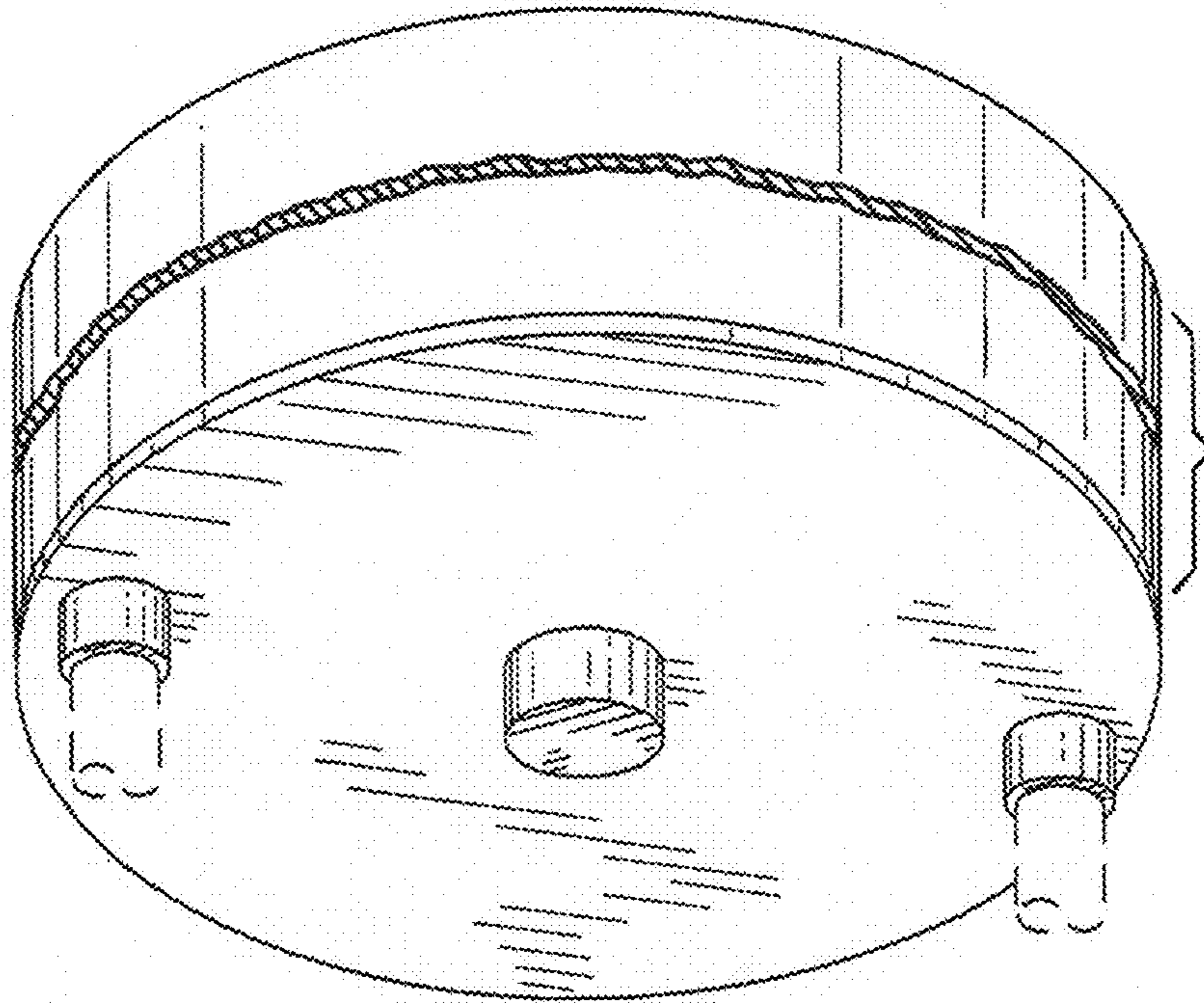


FIG. 6

FIG. 7

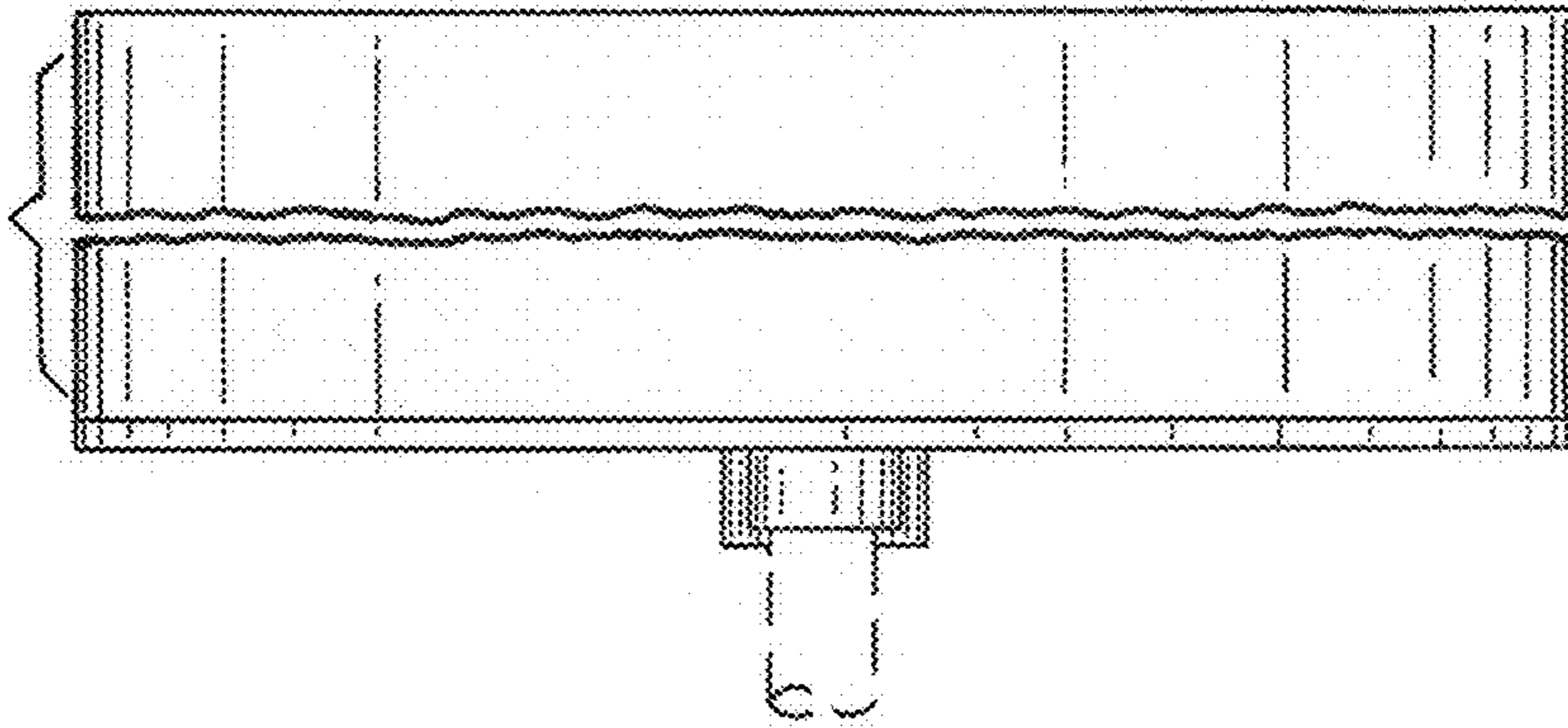


FIG. 8

