



US00D773722S

(12) **United States Design Patent** (10) **Patent No.:** **US D773,722 S**
Okimoto et al. (45) **Date of Patent:** **** Dec. 6, 2016**

(54) **LIGHT GUIDE FOR LED LAMP**

(71) Applicant: **mitsubishi electric CORPORATION**, Tokyo (JP)

(72) Inventors: **Nami Okimoto**, Tokyo (JP); **Saki Maeda**, Tokyo (JP); **Eiji Niikura**, Tokyo (JP); **Tomohiko Sawanaka**, Tokyo (JP)

(73) Assignee: **Mitsubishi Electric Corporation**, Tokyo (JP)

(**) Term: **14 Years**

(21) Appl. No.: **29/516,511**

(22) Filed: **Feb. 3, 2015**

(30) **Foreign Application Priority Data**

Sep. 5, 2014 (JP) 2014-019681

(51) **LOC (10) Cl.** **26-99**

(52) **U.S. Cl.**
USPC **D26/122**

(58) **Field of Classification Search**

USPC D13/134, 146, 147, 179, 180; D23/328;
D24/209, 210; D26/1-4, 24, 25, 60-62,
64, D26/72, 74-78, 85, 87-91, 113,
118-124, 128, D26/130, 138, 140-145,
152-155

CPC G02B 6/00; G02B 6/001; G02B 6/0013;
G02B 6/0021; G02B 6/0038; G02B
6/0071; G02B 6/0073; G02B
6/0001; F21S 48/2225; F21S
48/2237; F21S 48/2281

See application file for complete search history.

(56) **References Cited**

U.S. PATENT DOCUMENTS

D506,274 S * 6/2005 Moriyama D26/24
7,375,382 B2 * 5/2008 Tessnow F21S 48/2237
257/98

(Continued)

Primary Examiner — Garth Rademaker

Assistant Examiner — Richard Kearney

(74) *Attorney, Agent, or Firm* — Studebaker & Brackett PC

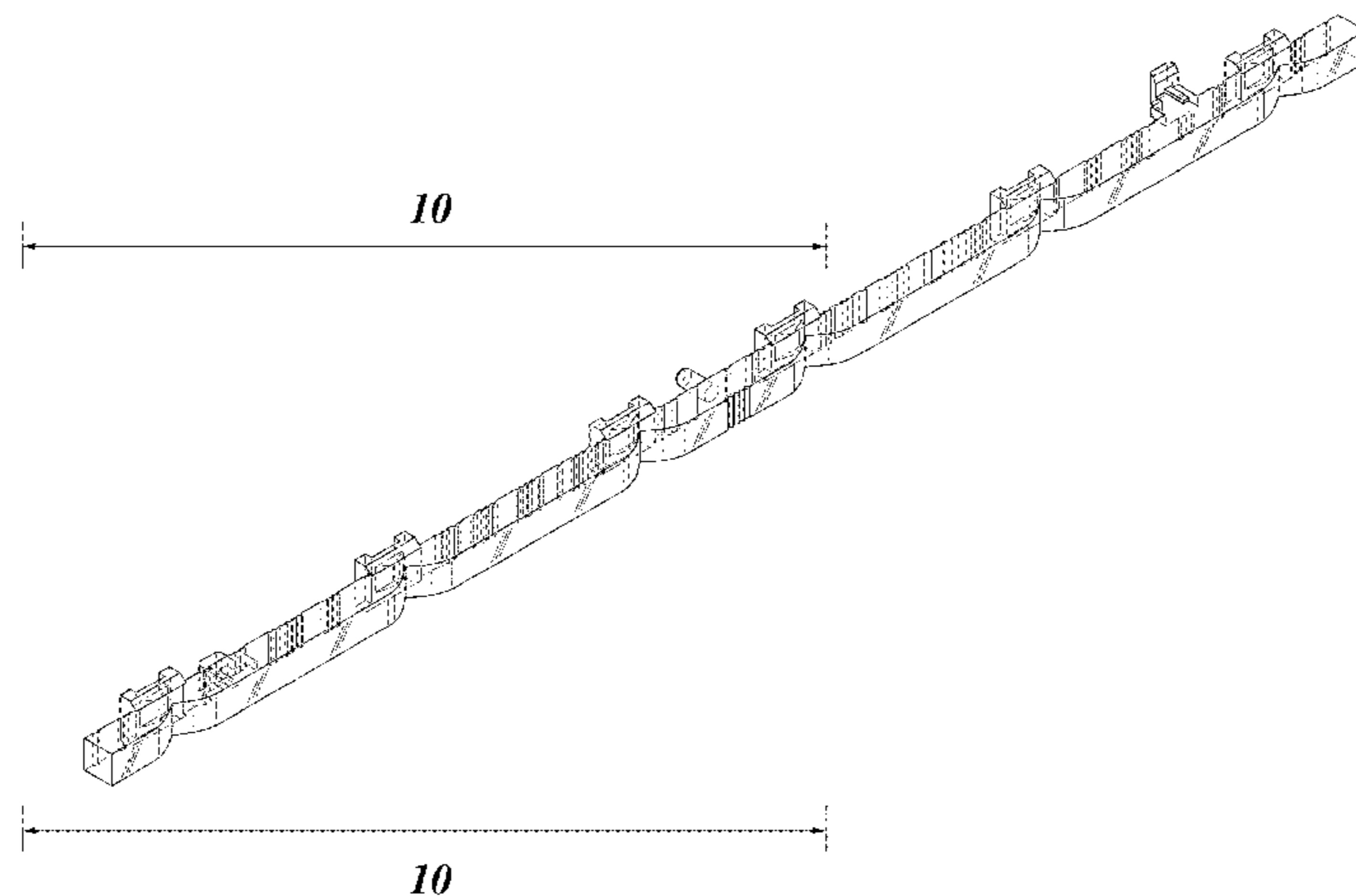
(57) **CLAIM**

The ornamental design for a light guide for LED lamp, as shown and described.

DESCRIPTION

FIG. 1 is a front, left side, top perspective view of a light guide for LED lamp showing our new design; FIG. 2 is a rear, right side, bottom perspective view thereof; FIG. 3 is a front view thereof; FIG. 4 is a rear view thereof; FIG. 5 is a left side view thereof; FIG. 6 is a right side view thereof; FIG. 7 is a top view thereof; FIG. 8 is a bottom view thereof; FIG. 9 is a cross-sectional view taken on line 9-9 of FIG. 3; FIG. 10 is a view of section 10-10 of FIG. 1, shown at an enlarged scale; FIG. 11 is a view of section 11-11 of FIG. 2, shown at an enlarged scale; FIG. 12 is view of section 12-12 of FIG. 3, shown at an enlarged scale; FIG. 13 is view of section 13-13 of FIG. 4, shown at an enlarged scale; FIG. 14 is an enlarged view of FIG. 5; FIG. 15 is a view of section 15-15 of FIG. 7, shown at an enlarged scale; FIG. 16 is a view of section 16-16 of FIG. 9, shown at an enlarged scale; and, FIG. 17 is a perspective view showing a portion of the design in an environment of use. The broken lines in FIG. 17 show environmental subject matter which forms no art of the claimed design.

1 Claim, 10 Drawing Sheets



(56)

References Cited

U.S. PATENT DOCUMENTS

D571,938	S	*	6/2008	Uemoto	D26/1
D616,366	S	*	5/2010	Wang	D13/133
D631,189	S	*	1/2011	Urano	D26/142
D632,818	S	*	2/2011	Kong	D26/58
D665,518	S	*	8/2012	Takahashi	D26/1
D666,314	S	*	8/2012	Walsh	D25/103
D700,379	S	*	2/2014	Sid	D26/24
D713,069	S	*	9/2014	Vaghani	D26/24
D719,284	S	*	12/2014	Mizushiro	D26/3
D762,893	S	*	8/2016	Hsu	D26/28
2008/0310187	A1	*	12/2008	Huang	F21S 48/215 362/615

* cited by examiner

FIG. 1

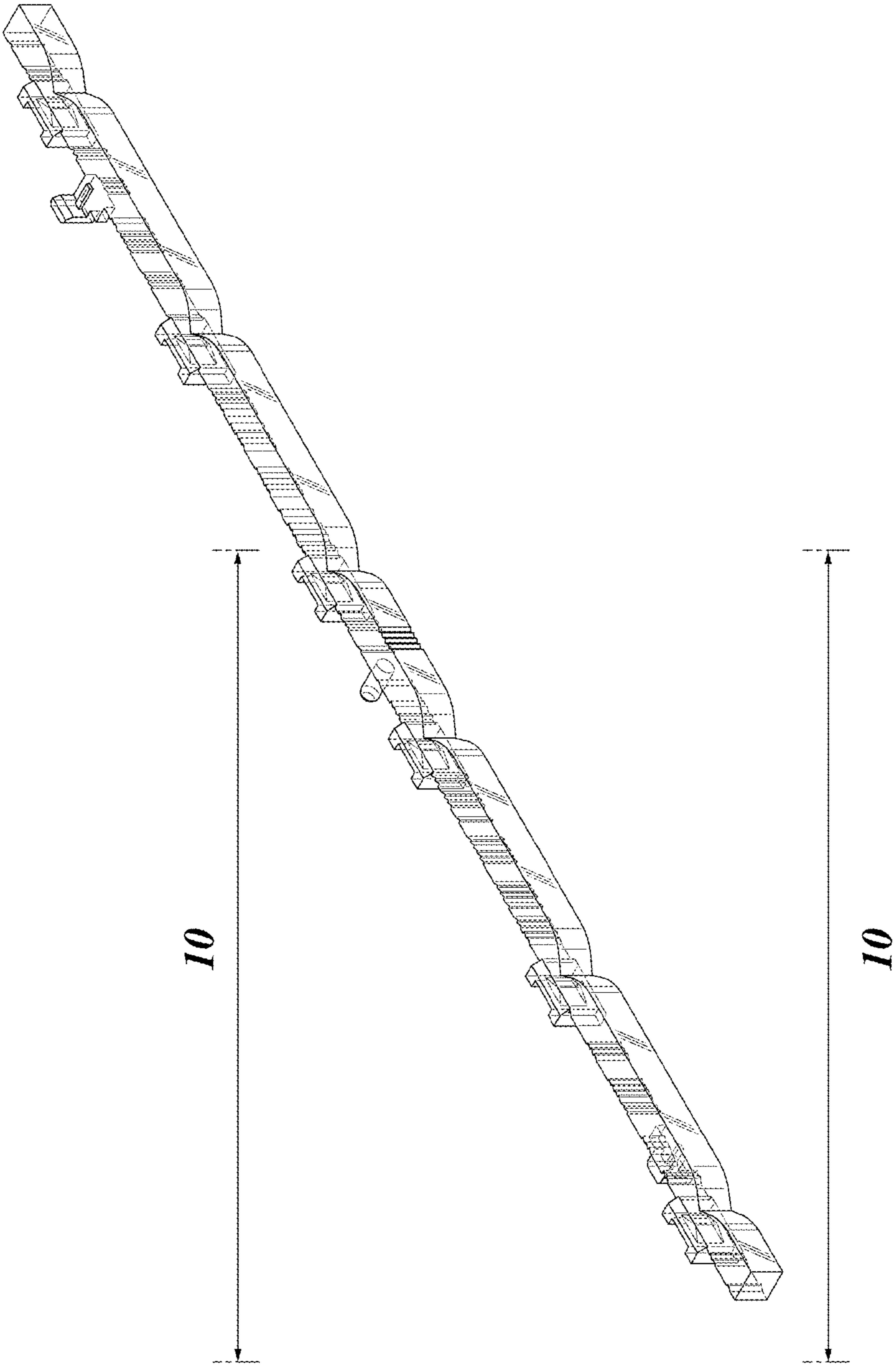


FIG. 2

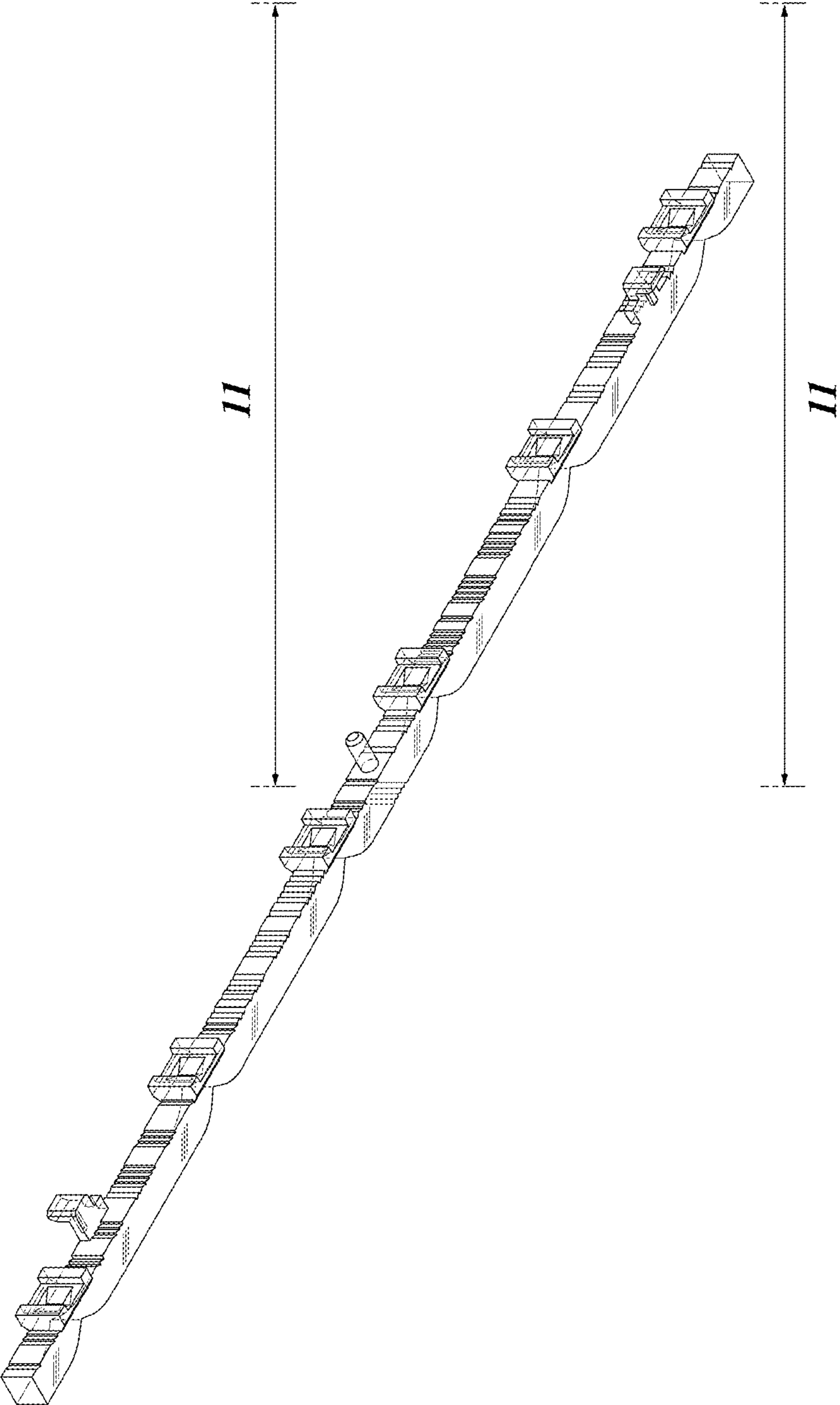


FIG. 3

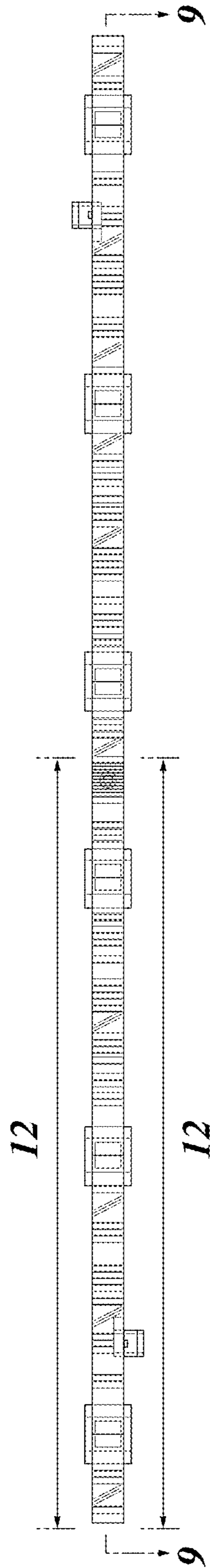


FIG. 4

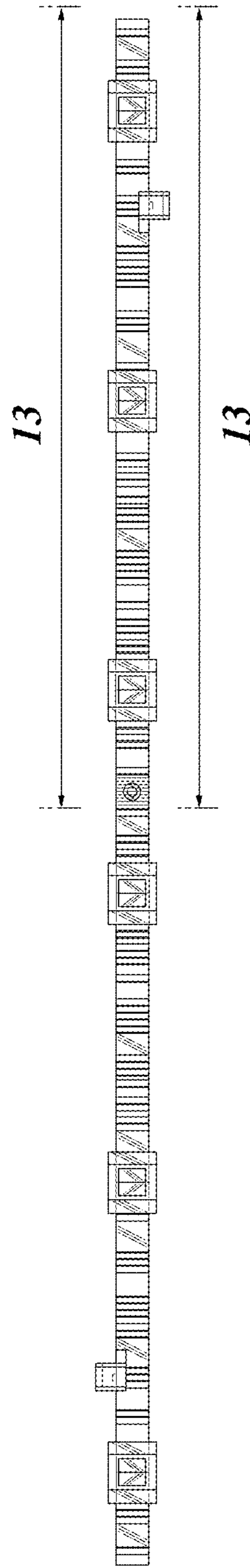


FIG. 6

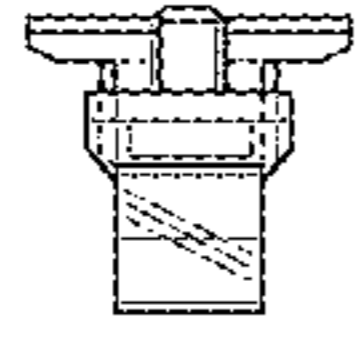


FIG. 5

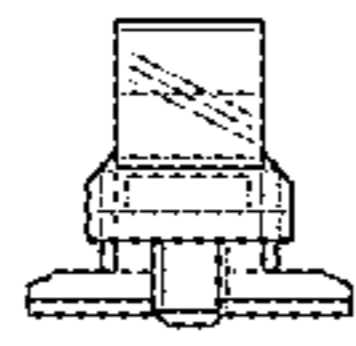


FIG. 7

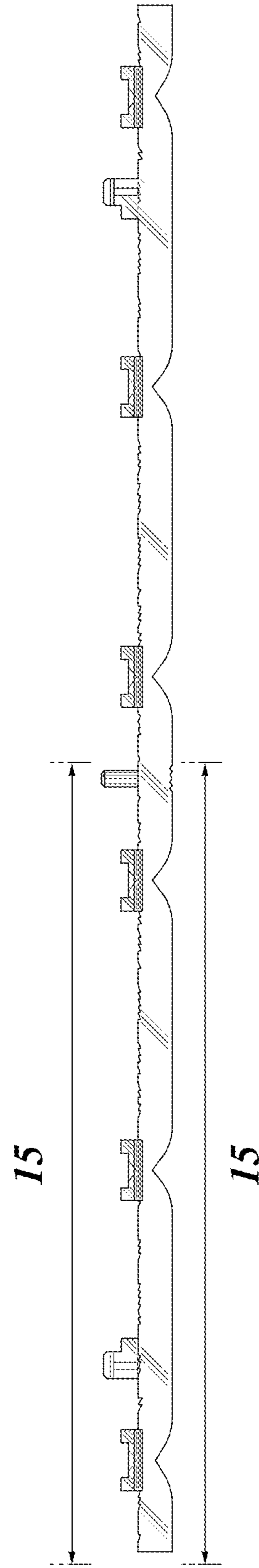


FIG. 8

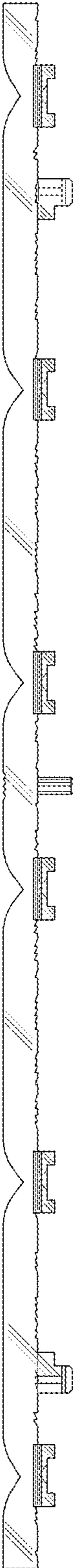


FIG. 9

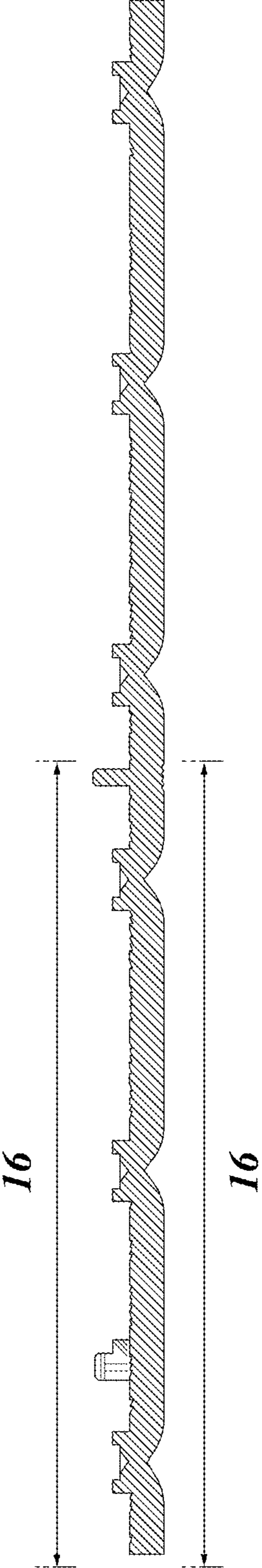


FIG. 10

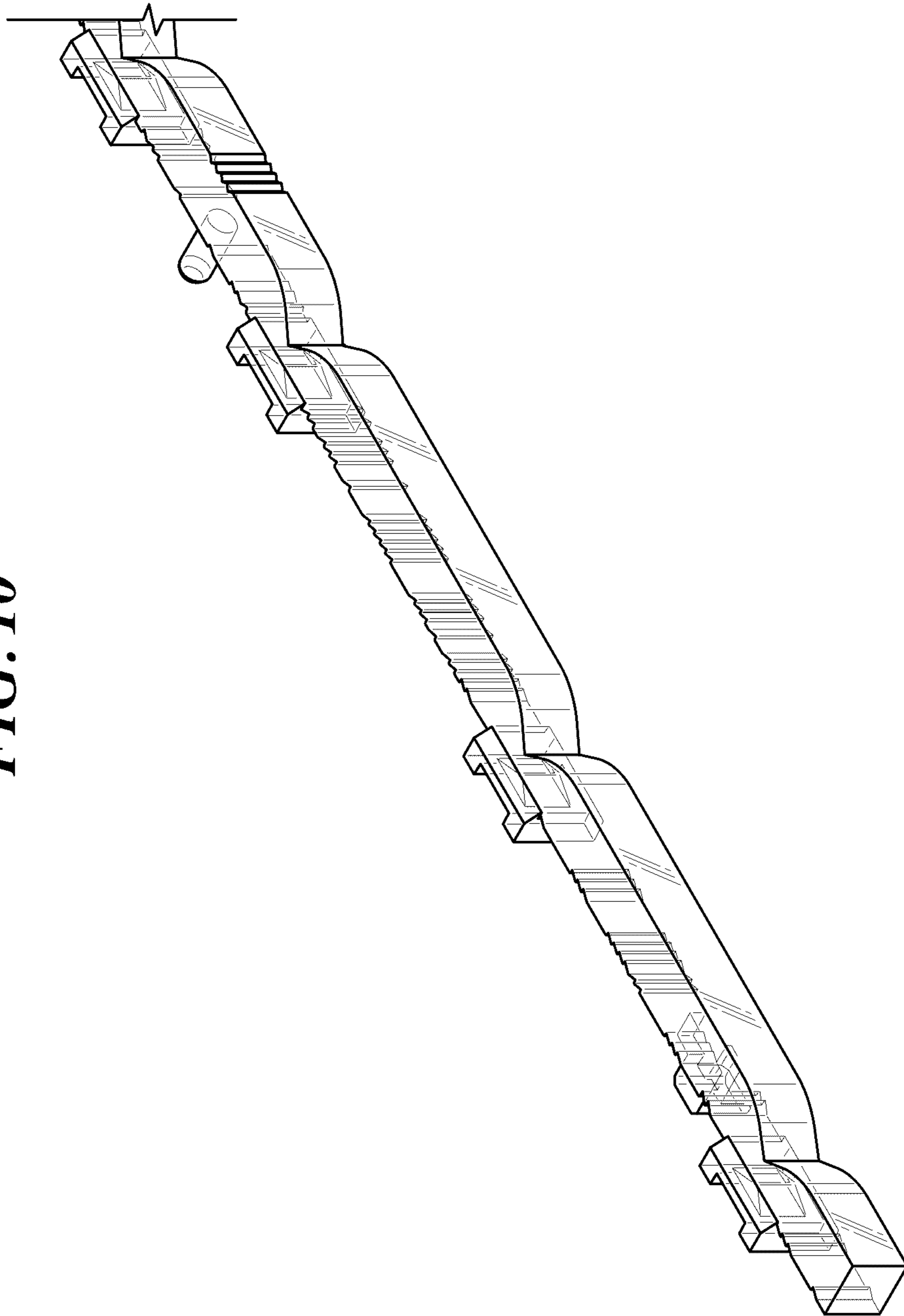


FIG. 11

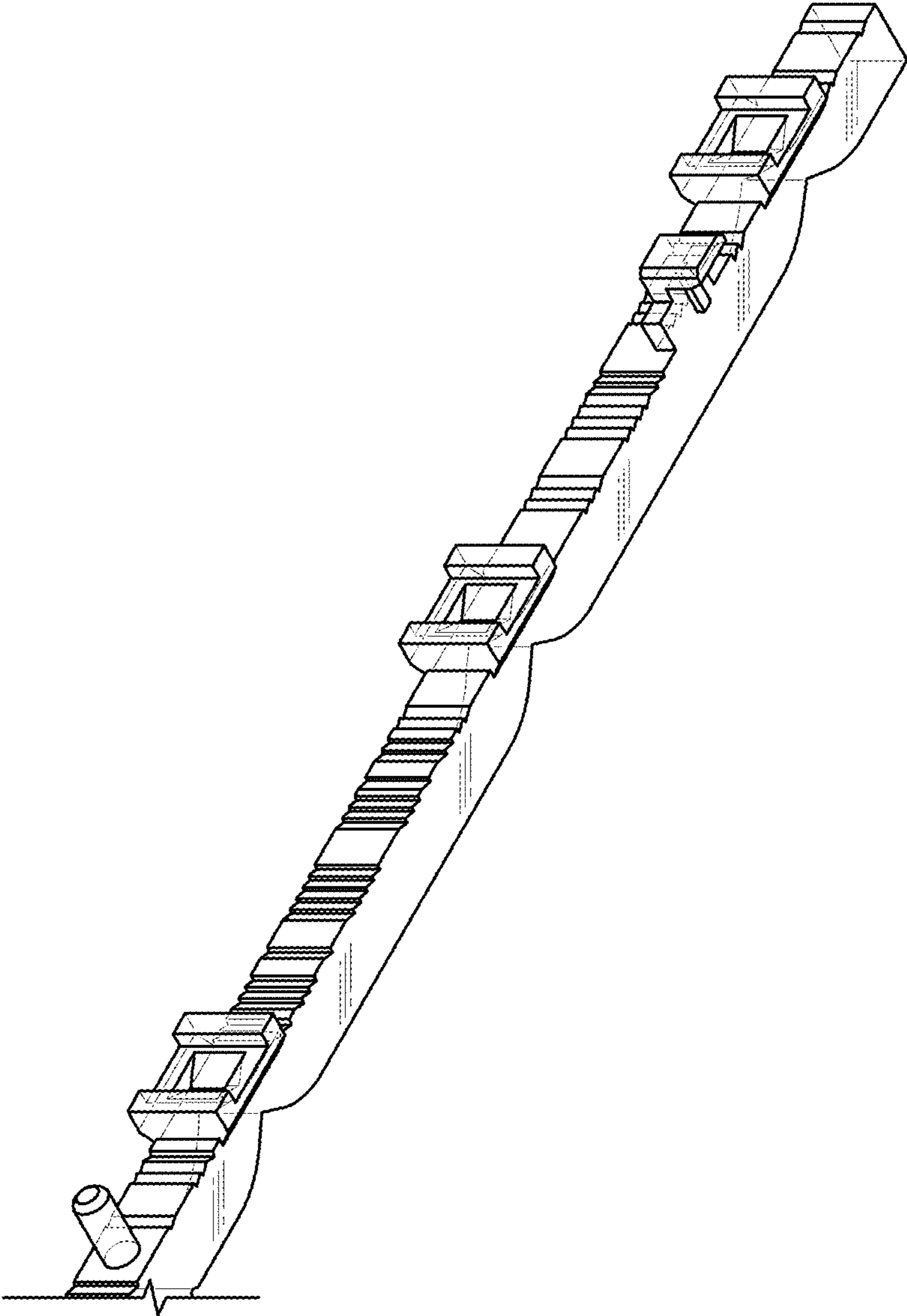


FIG. 12

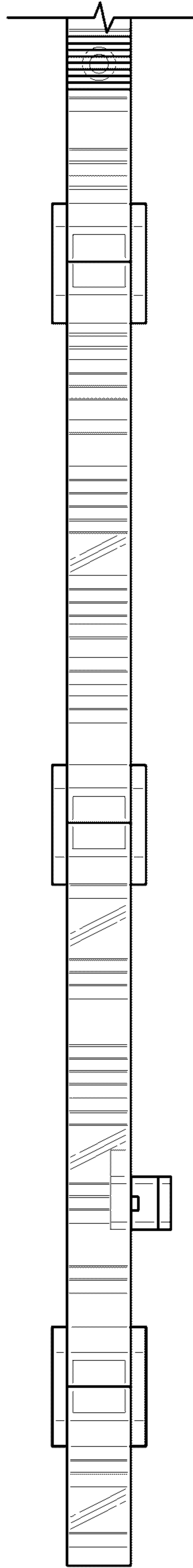


FIG. 13

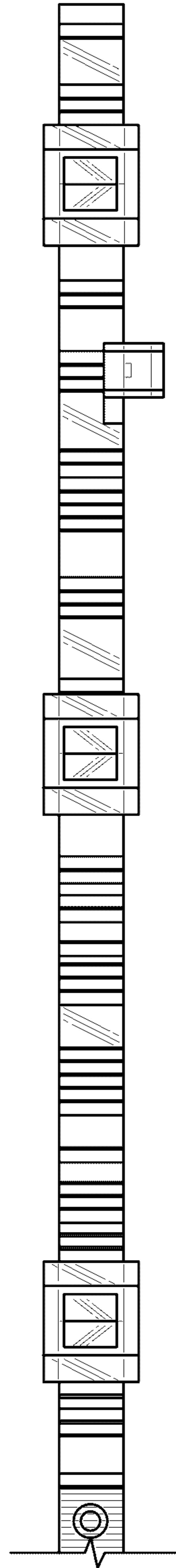


FIG. 14

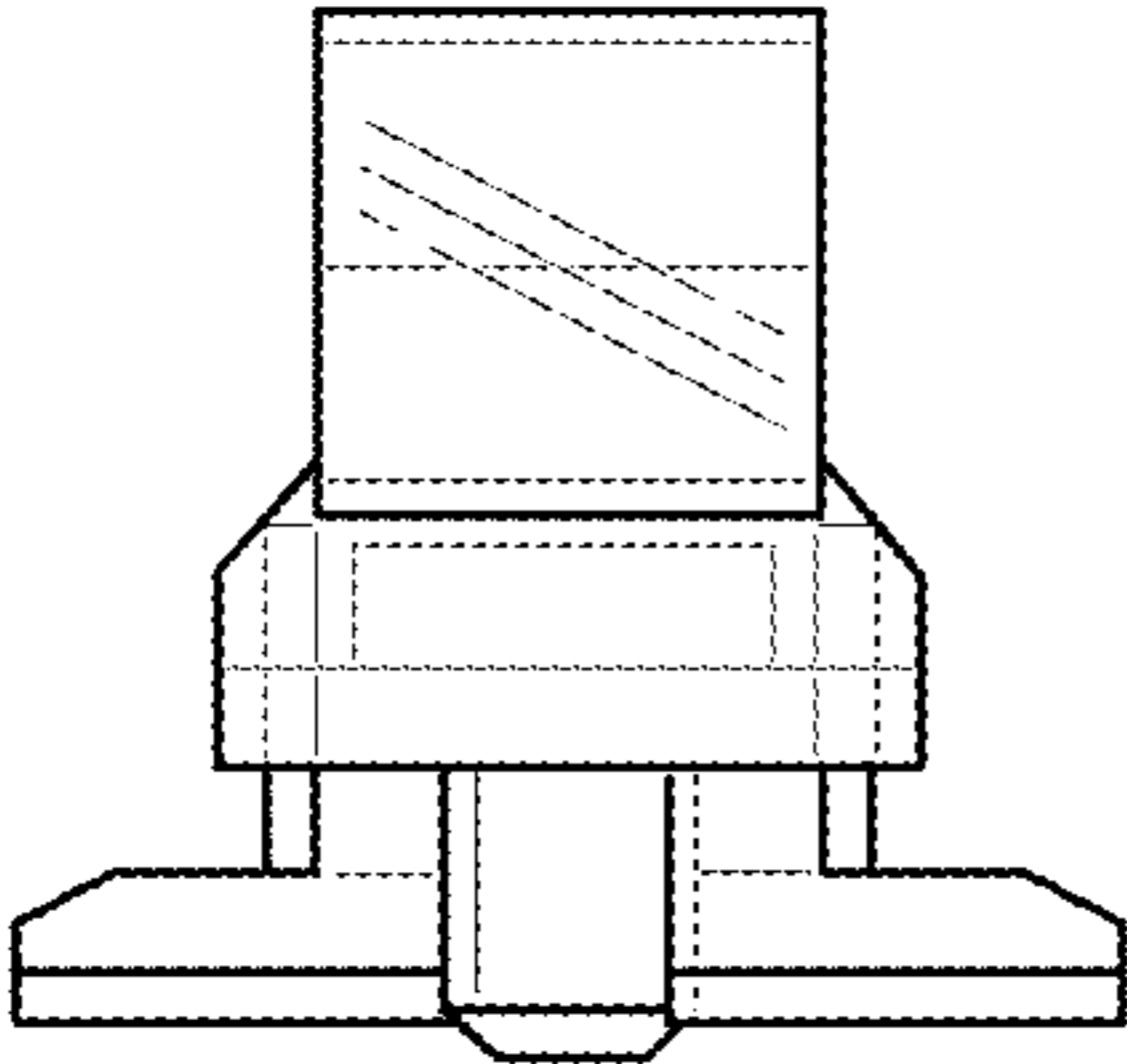


FIG. 15

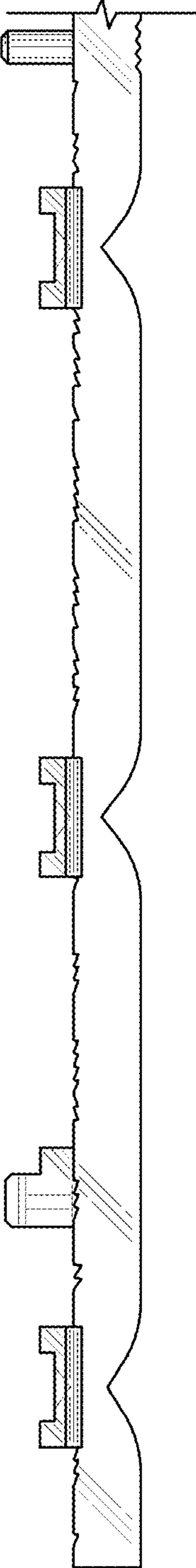


FIG. 16

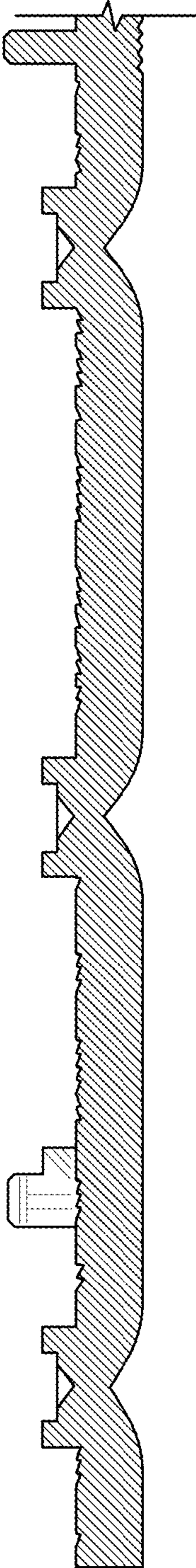


FIG. 17

