



US00D773720S

(12) **United States Design Patent** (10) **Patent No.:** **US D773,720 S**  
**Lin** (45) **Date of Patent:** **\*\* Dec. 6, 2016**

(54) **ADAPTER FOR TRACKLIGHT**  
(71) Applicant: **Westport International Co., Ltd.**,  
Taoyuan, Taoyuan County (TW)  
(72) Inventor: **Shan Chaing Lin**, Taoyuan (TW)  
(73) Assignee: **Westport International Co., Ltd.**,  
Taoyuan, Taoyuan County  
(\*\*) Term: **14 Years**  
(21) Appl. No.: **29/514,990**  
(22) Filed: **Jan. 19, 2015**  
(51) **LOC (10) Cl.** ..... **13-02**  
(52) **U.S. Cl.**  
USPC ..... **D26/110**  
(58) **Field of Classification Search**  
USPC ..... D26/60-66, 138; D13/110, 107, 108,  
D13/123, 133, 135, 137.1, 138.1, 199;  
174/53, 174/54  
CPC ..... H01R 25/00; H01R 25/14; F16J 1/16  
See application file for complete search history.

D493,138 S \* 7/2004 Jiang ..... D13/110  
D564,121 S \* 3/2008 Lin ..... D26/64  
D582,088 S \* 12/2008 Lin ..... D26/64  
D647,657 S \* 10/2011 Janssen ..... D26/63  
D715,220 S \* 10/2014 Lin ..... D13/110  
D715,221 S \* 10/2014 Lin ..... D13/110  
D731,449 S \* 6/2015 Norman ..... D13/184

**OTHER PUBLICATIONS**

Google search: <https://www.etsy.com/listing/83099134/track-light-adapter> Retrieved via Google search Aug. 25, 2016. Available online since Oct. 18, 2011.\*  
Google search: [http://www.brandlighting.com/track\\_lighting.htm](http://www.brandlighting.com/track_lighting.htm). Retrieved via Google search Aug. 25, 2016. Available online since Jun. 8, 2014.\*

\* cited by examiner

*Primary Examiner* — Eric Goodman  
*Assistant Examiner* — Christopher J Matthews

(57) **CLAIM**

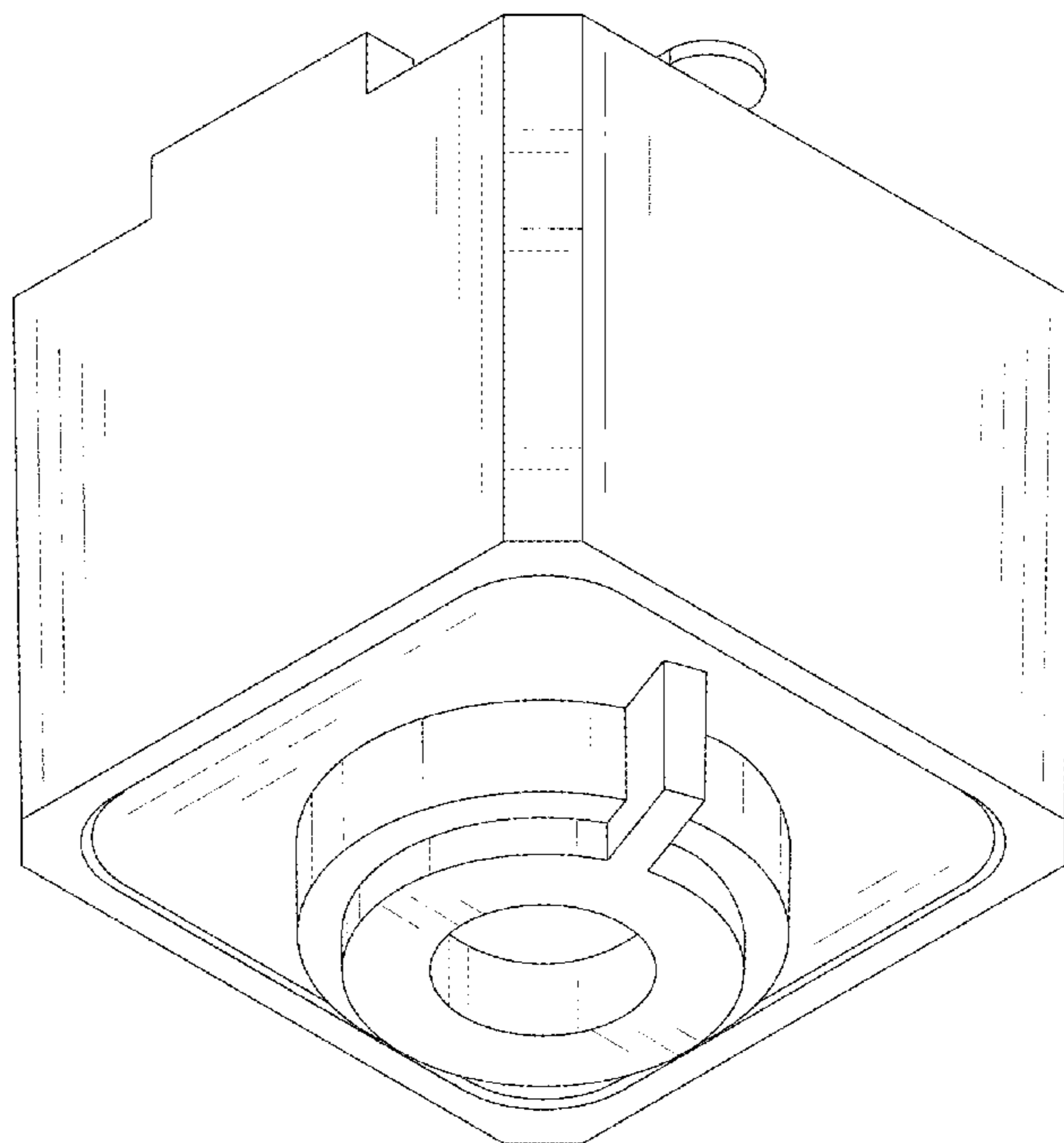
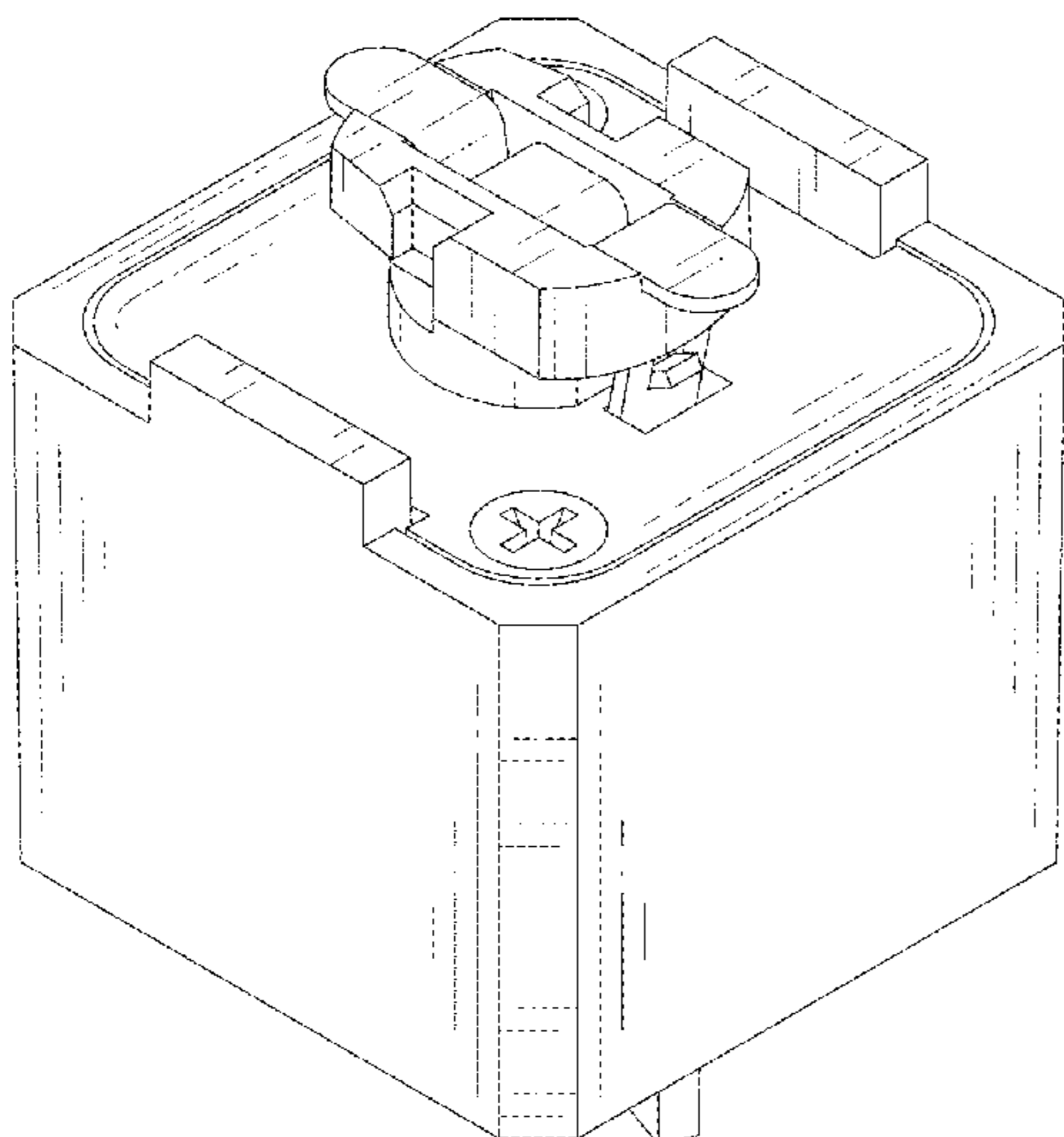
The ornamental design for an adapter for tracklight, as shown.

**DESCRIPTION**

FIG. 1 is a front perspective view of an adapter for tracklight showing my new design;  
FIG. 2 is a front elevational view thereof;  
FIG. 3 is a rear elevational view thereof;  
FIG. 4 is a left side elevational view thereof;  
FIG. 5 is a right side elevational view thereof;  
FIG. 6 is a top plan view thereof;  
FIG. 7 is a bottom plan view thereof; and,  
FIG. 8 is a bottom perspective view thereof.

**1 Claim, 8 Drawing Sheets**

(56) **References Cited**  
U.S. PATENT DOCUMENTS  
D292,235 S \* 10/1987 Roos ..... D26/65  
D315,419 S \* 3/1991 Layne ..... D26/63  
D345,616 S \* 3/1994 Lin ..... D26/63  
D370,990 S \* 6/1996 Lin ..... D26/63  
5,788,518 A \* 8/1998 Wachter ..... F21V 21/30  
362/287  
D424,017 S \* 5/2000 Lin ..... D13/133  
D488,247 S \* 4/2004 Lin ..... D26/64



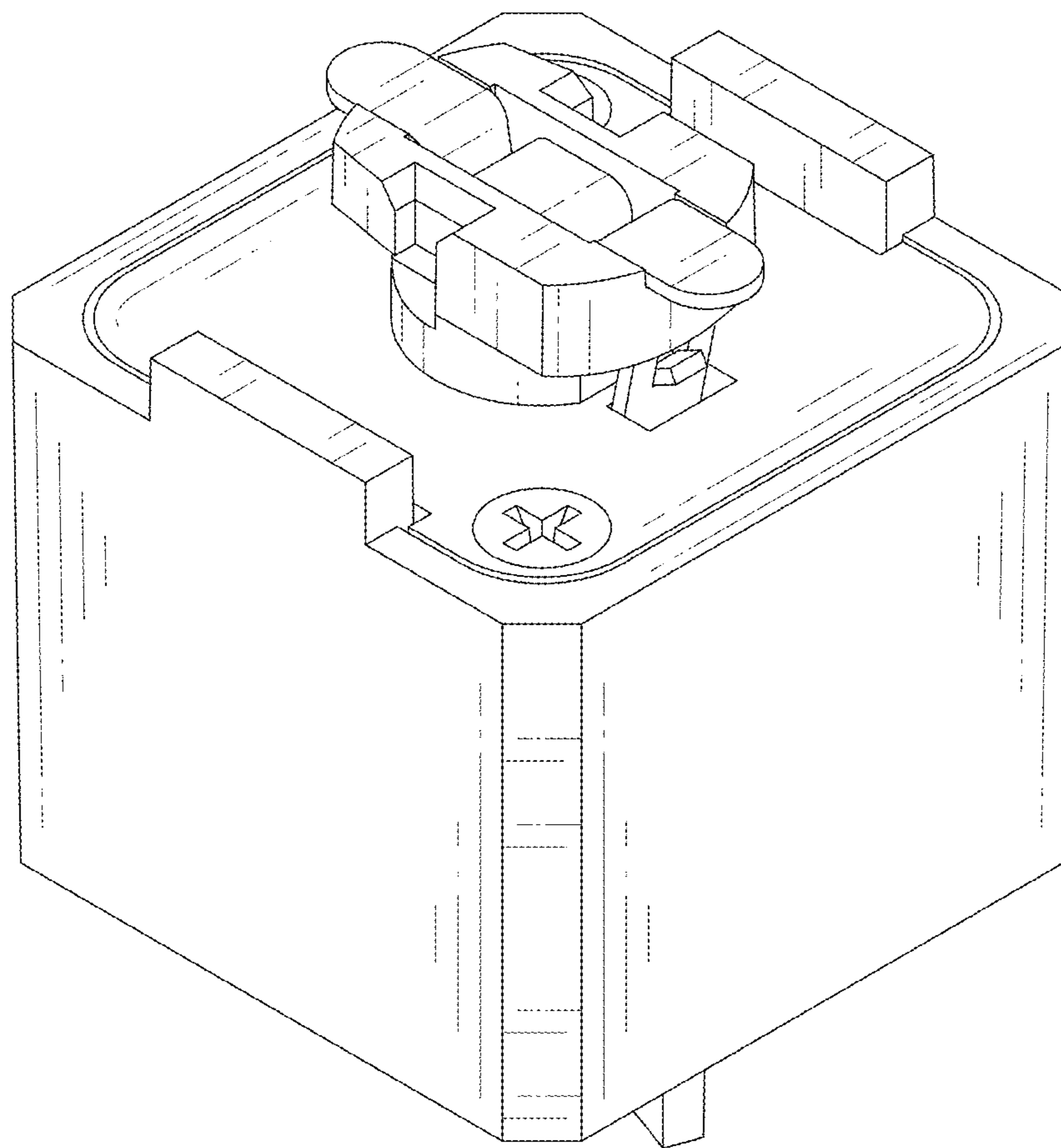


Fig.1

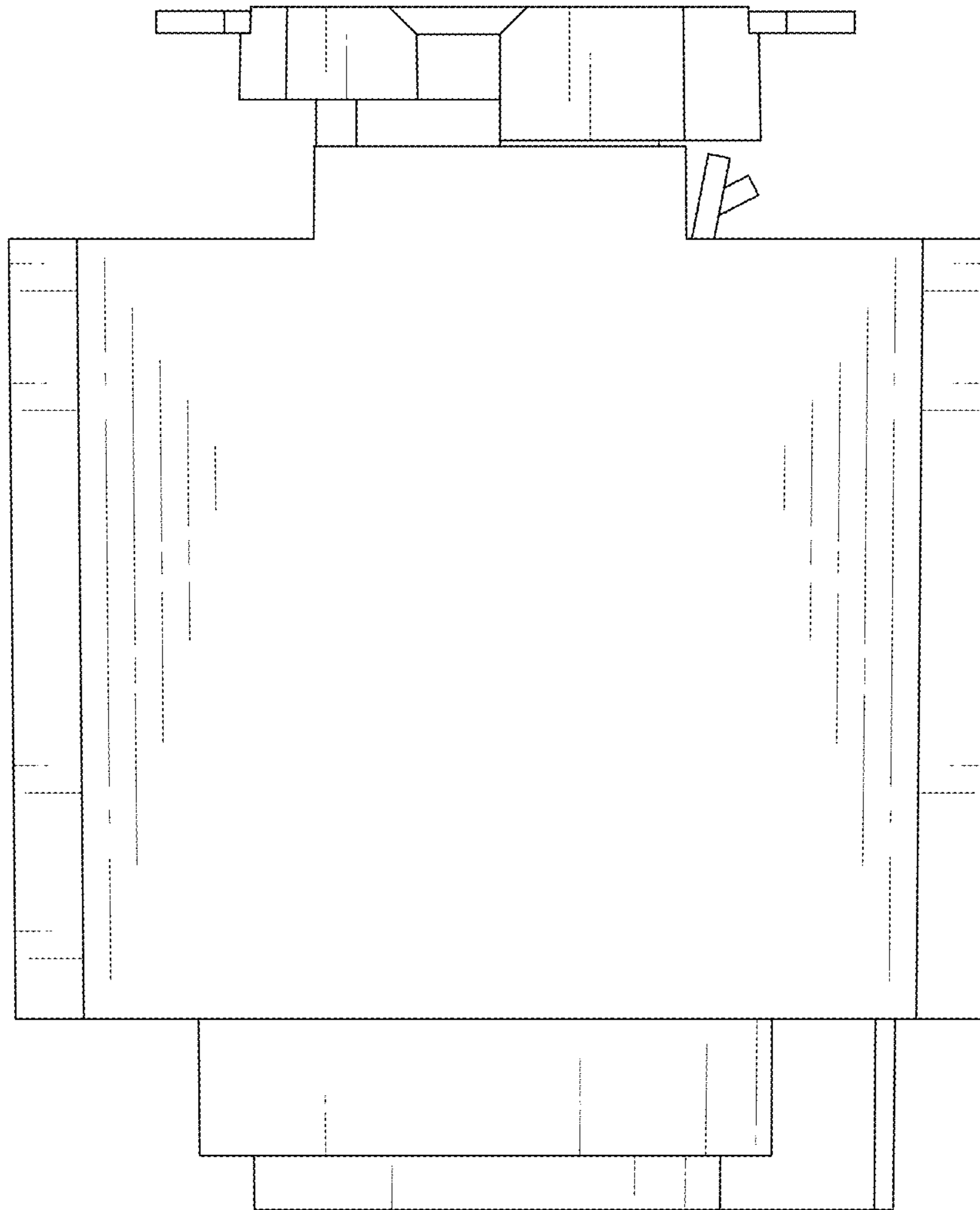


Fig.2

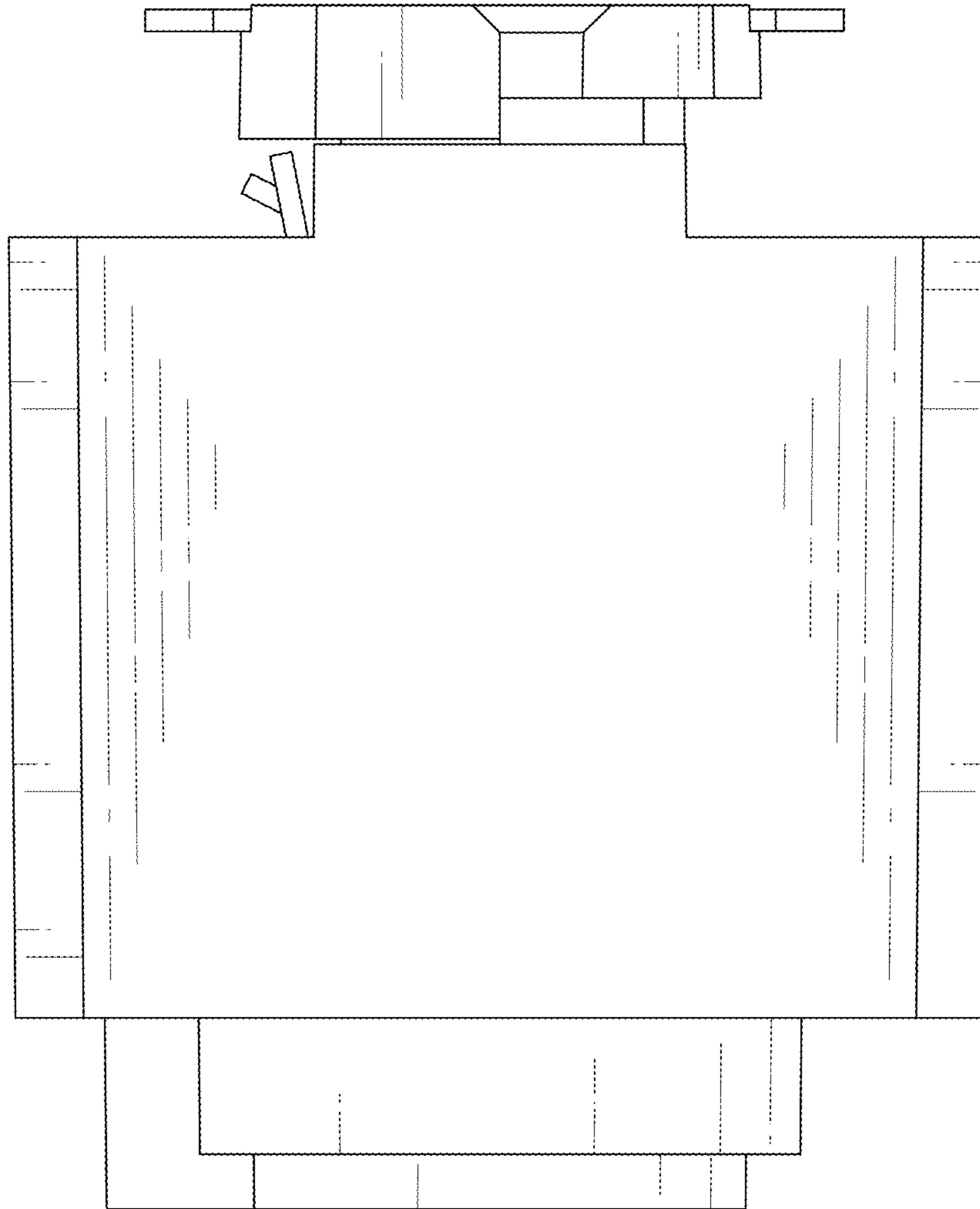


Fig.3

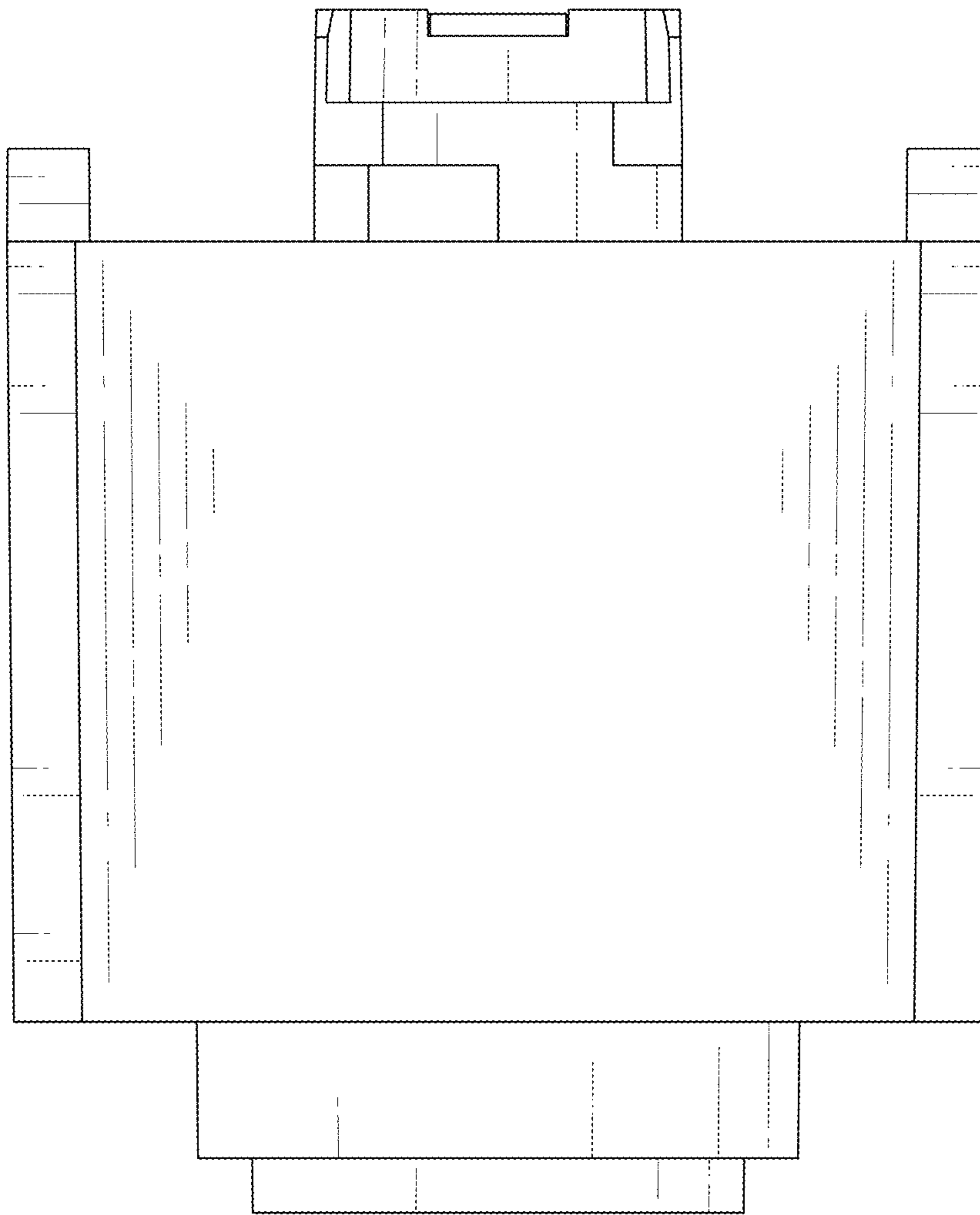


Fig.4

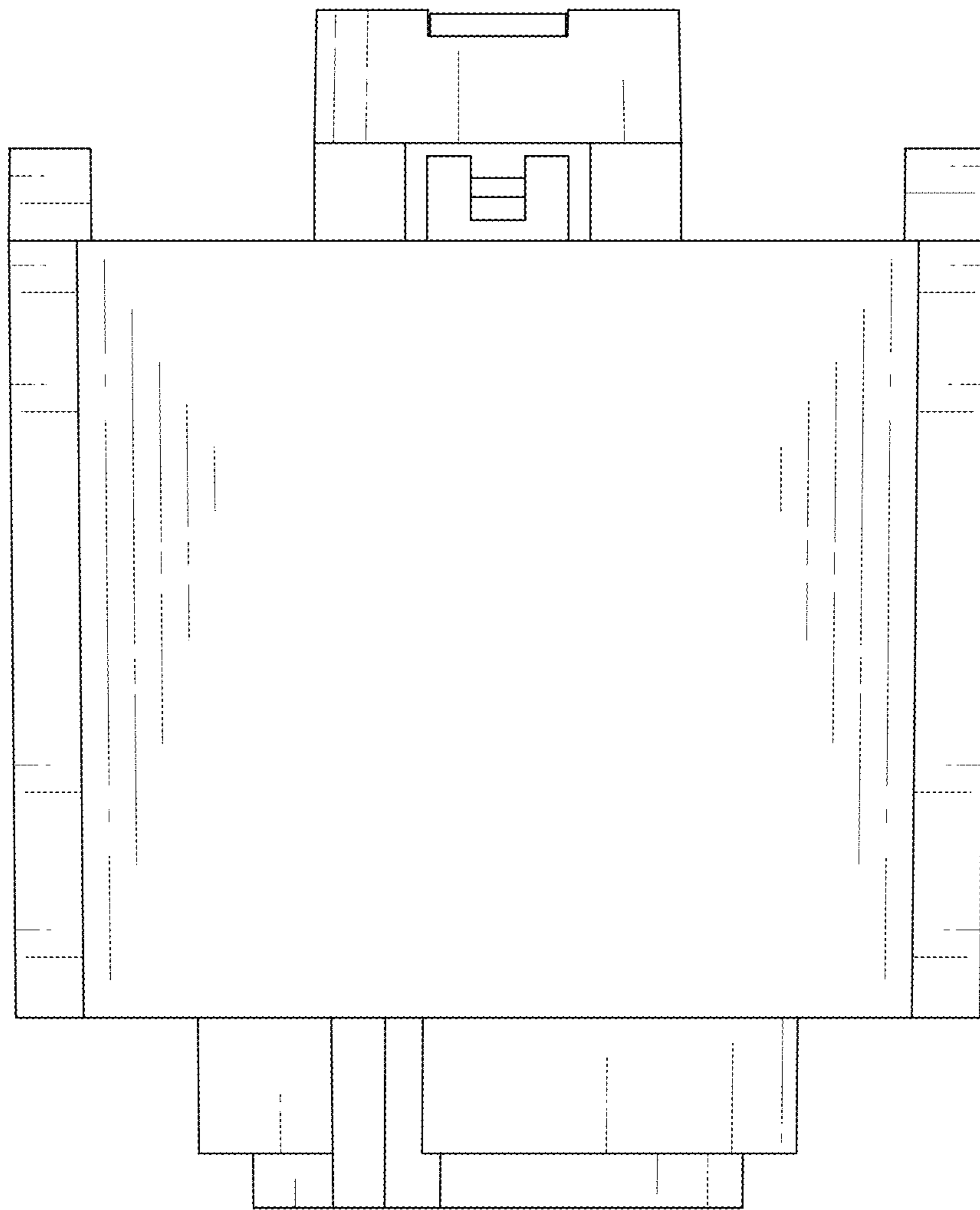


Fig.5

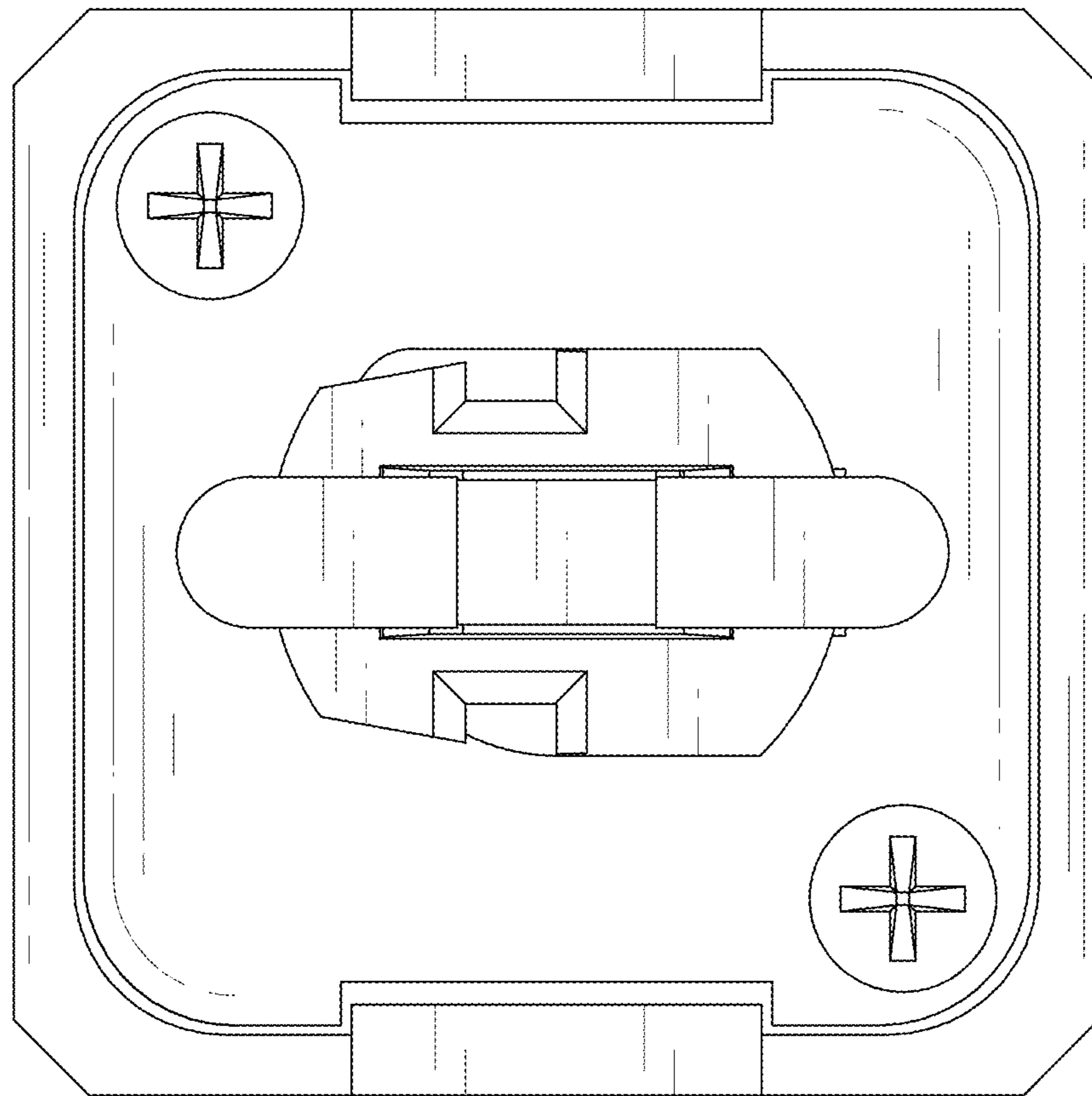


Fig.6

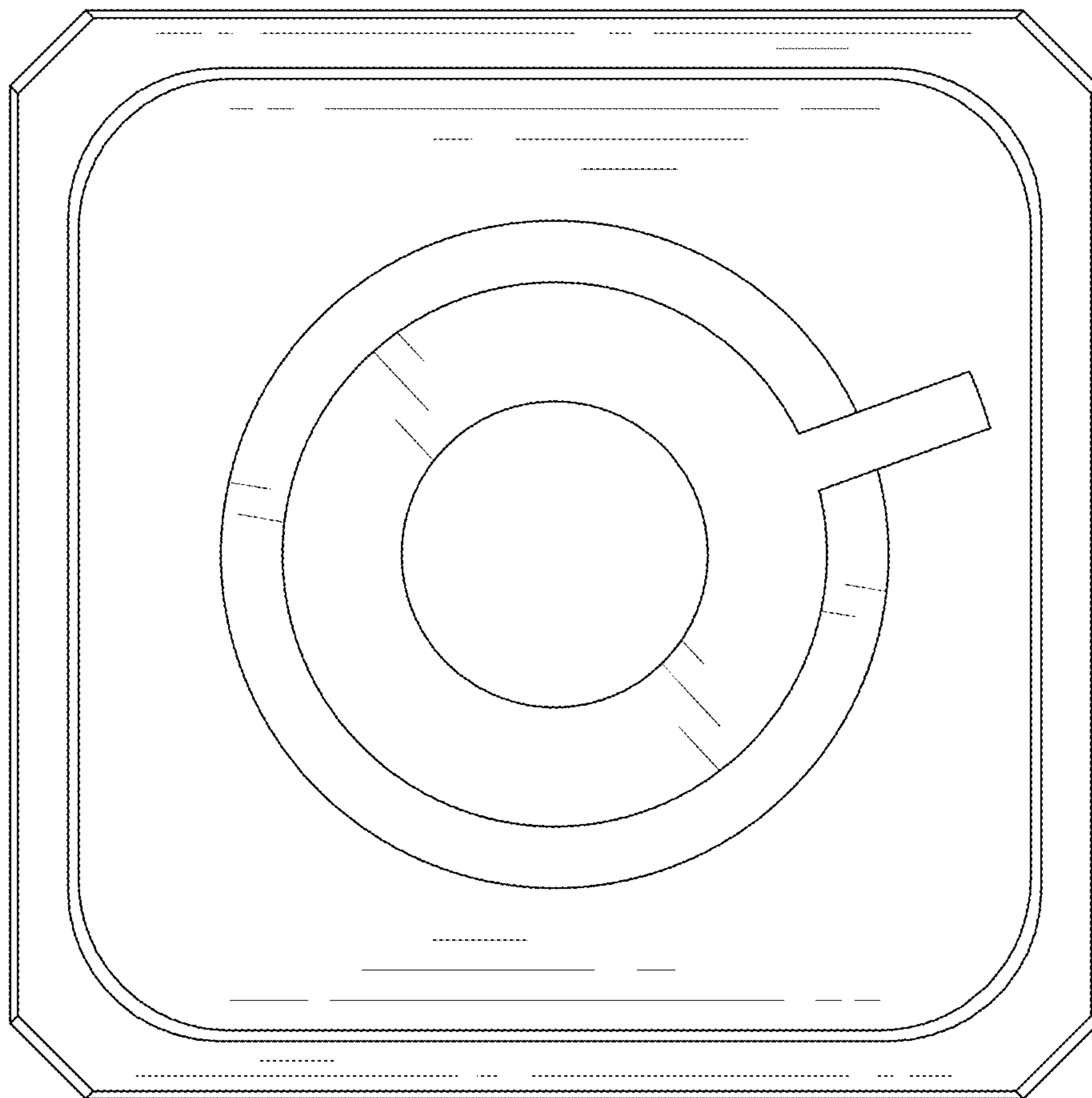


Fig.7



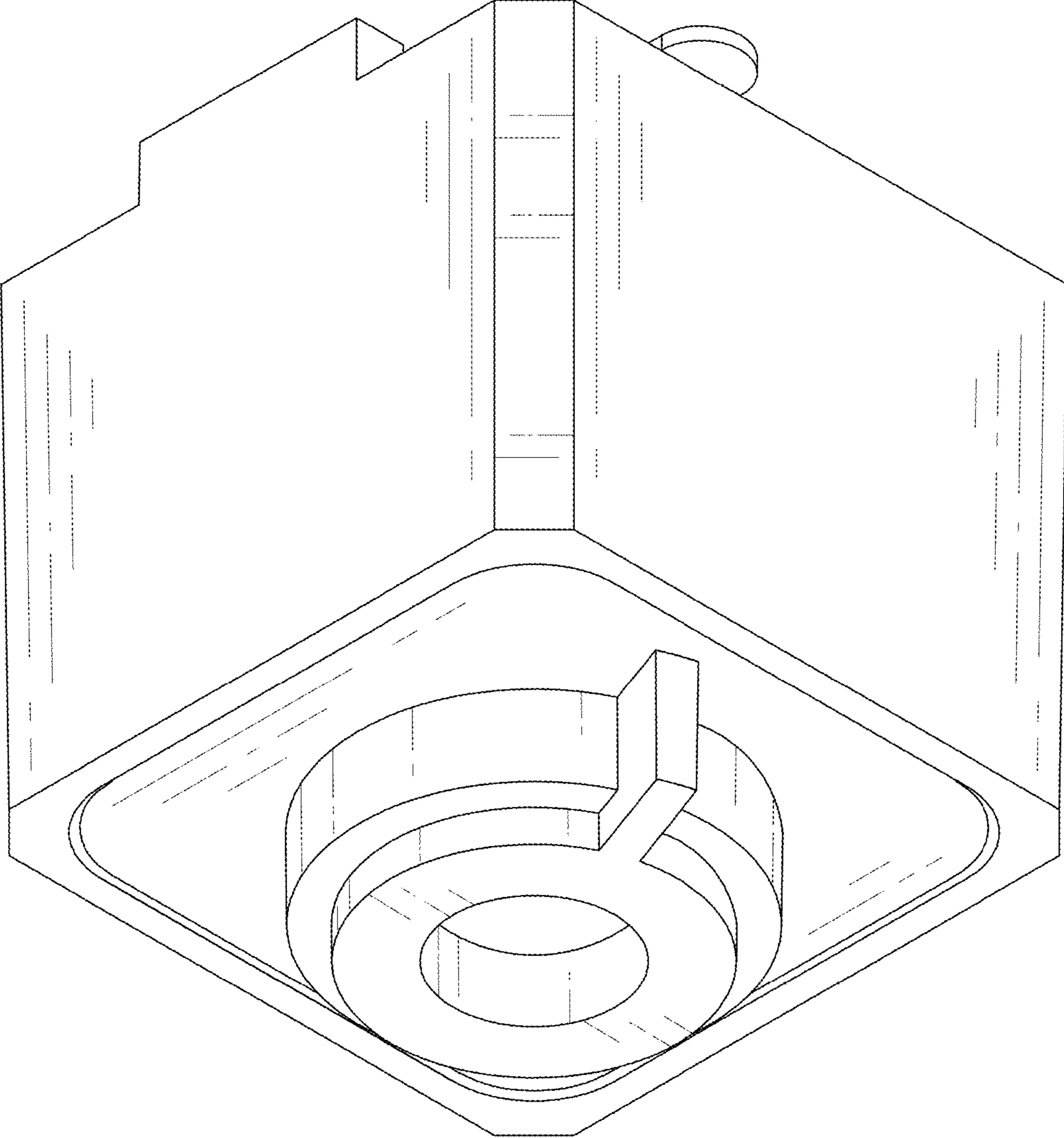


Fig.8