



US00D773716S

(12) **United States Design Patent** (10) **Patent No.:** **US D773,716 S**
Nankil (45) **Date of Patent:** **** *Dec. 6, 2016**

(54) **WALL MOUNTED LIGHT FIXTURE HAVING STRUTS**

(71) Applicant: **Hubbell Incorporated**, Shelton, CT (US)

(72) Inventor: **Robert R. Nankil**, Buena Park, CA (US)

(73) Assignee: **Hubbell Incorporated**, Shelton, CT (US)

(*) Notice: This patent is subject to a terminal disclaimer.

(**) Term: **14 Years**

(21) Appl. No.: **29/521,589**

(22) Filed: **Mar. 25, 2015**

Related U.S. Application Data

(62) Division of application No. 29/487,955, filed on Apr. 14, 2014, now Pat. No. Des. 728,143, which is a division of application No. 29/458,995, filed on Jun. 25, 2013, now Pat. No. Des. 705,476, which is a (Continued)

(51) **LOC (10) Cl.** **26-03**

(52) **U.S. Cl.**
USPC **D26/87; D26/85**

(58) **Field of Classification Search**
USPC D26/72, 85-92, 128, 67, 68, 118, 137; 362/147, 432
CPC F21S 8/03; F21S 8/033; F21S 8/036; F21V 21/06; F21V 21/14; F21V 21/26; F21V 21/30

See application file for complete search history.

(56) **References Cited**

U.S. PATENT DOCUMENTS

D40,241 S 8/1909 Greenwald
999,813 A 8/1911 Losey
1,019,246 A 3/1912 Godinez et al.
(Continued)

FOREIGN PATENT DOCUMENTS

GB 2025424 9/1992
GB 2044993 2/1995
(Continued)

OTHER PUBLICATIONS

Architectural Area Lighting, Venere Series Catalog, Jan. 2007, pp. 1-20, US.

Primary Examiner — Clare E Heflin

(74) *Attorney, Agent, or Firm* — Michael Best & Friedrich, LLP

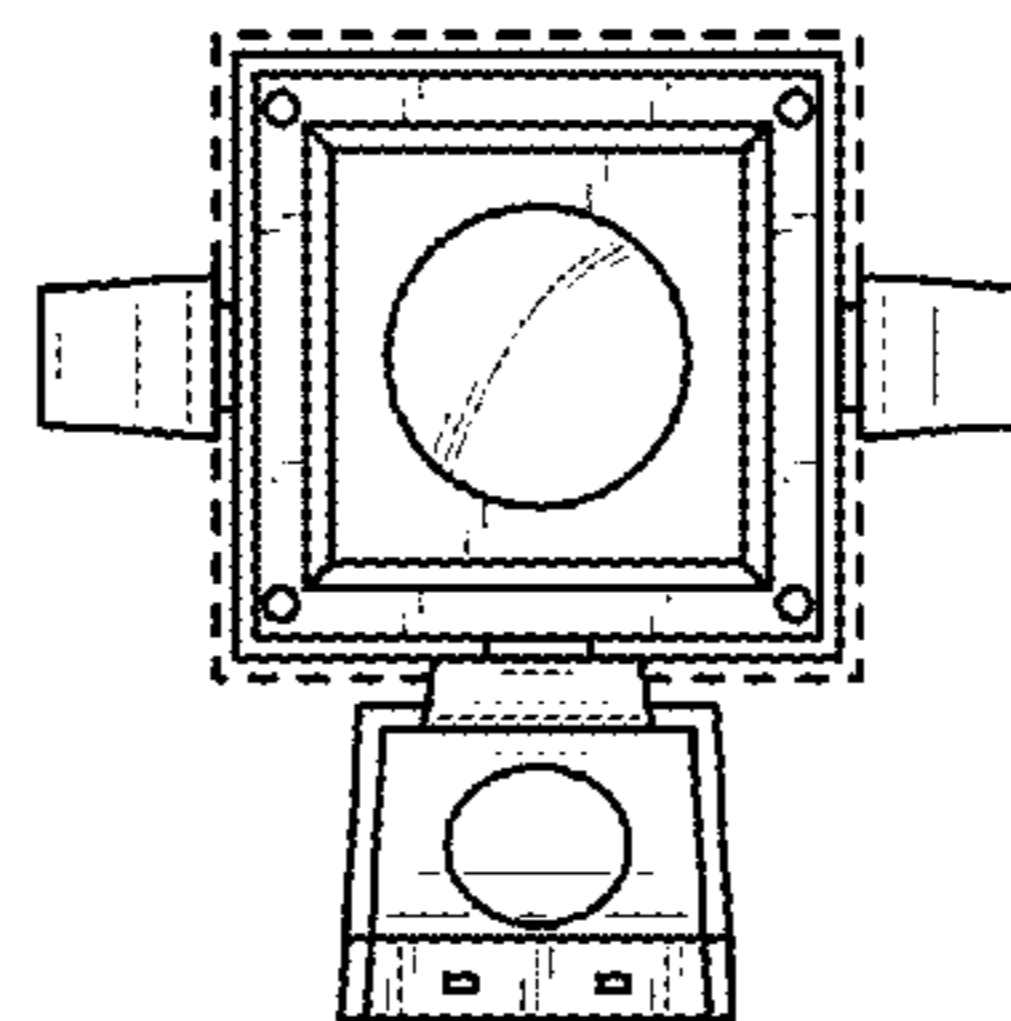
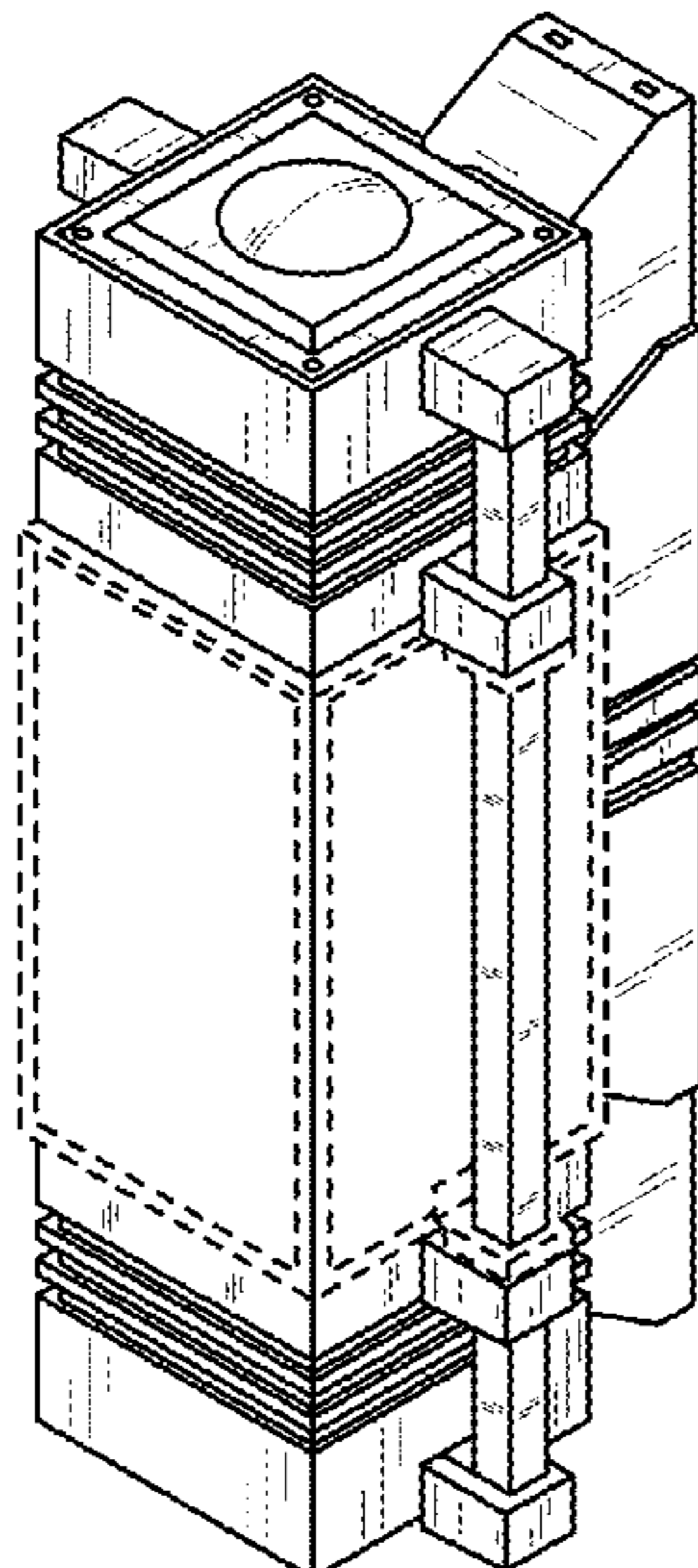
(57) **CLAIM**

The ornamental design for a wall mounted light fixture having struts, as shown and described.

DESCRIPTION

FIG. 1 is a top perspective view of the wall mounted lighting fixture having struts showing the invention; FIG. 2 is a top view of the lighting fixture of FIG. 1; FIG. 3 is a front view of the lighting fixture of FIG. 1; FIG. 4 is a right side view of the lighting fixture of FIG. 1 where the left side view is a mirror image thereof; FIG. 5 is a rear view of the lighting fixture of FIG. 1; FIG. 6 is a bottom perspective view of the lighting fixture of FIG. 1; and, FIG. 7 is a bottom view of the lighting fixture of FIG. 1. The broken lines shown on the drawings depict portions of the light fixture that form no part of the claimed design.

1 Claim, 2 Drawing Sheets



Related U.S. Application Data

division of application No. 29/411,733, filed on Jan. 25, 2012, now Pat. No. Des. 689,646.

(56)

References Cited

U.S. PATENT DOCUMENTS

1,082,753	A	12/1913	Losey	
D50,542	S	3/1917	Wellman	
D51,053	S	7/1917	Wellman	
1,473,380	A	11/1923	Peterson	
1,732,745	A	10/1929	Erskine	
D82,136	S	9/1930	Chapman	
D85,931	S	1/1932	Graff	
D100,556	S	7/1936	Gosling	
D125,314	S	2/1941	Proulx	
D138,831	S	9/1944	McCann	
D152,994	S	3/1949	McCann	
D154,302	S	6/1949	Palmquist	
2,523,818	A	9/1950	Cortes	
D160,899	S	11/1950	Stevens	
2,793,285	A	5/1957	Brainerd	
D185,974	S	8/1959	Rambusch et al.	
D194,624	S	2/1963	Pettengill	
D199,266	S	9/1964	Izzi	
D199,409	S	10/1964	Von Steenhoven	
3,194,952	A	7/1965	Wells	
D206,881	S	2/1967	Moranduzzo	
D208,659	S	9/1967	Koziol	
D211,277	S	6/1968	Layton	
D219,022	S	10/1970	Yamazaki	
3,833,804	A	9/1974	Vesely	
D235,677	S	7/1975	Goldberg	
D235,914	S	7/1975	Schacht	
D239,460	S	4/1976	Schacht	
D245,724	S	9/1977	Schemenauer	
4,069,415	A	1/1978	Dacal	
D298,861	S	12/1988	Ewing et al.	
4,858,088	A	8/1989	Agabekov	
4,951,184	A	8/1990	Makurof	
D315,421	S	* 3/1991	Goldschmidt D26/63
D338,977	S	8/1993	Ewing et al.	
5,384,694	A	1/1995	Yang	
5,430,631	A	7/1995	Dick	
D362,082	S	9/1995	McDowell	
D383,238	S	9/1997	Chen	
D403,097	S	12/1998	Littman	
D411,030	S	6/1999	Chen	
D427,349	S	6/2000	Landefeld	
D427,350	S	6/2000	Landefeld	
D427,351	S	6/2000	Landefeld	
D427,705	S	7/2000	Landefeld	
D444,584	S	7/2001	Landefeld	
D453,388	S	2/2002	Leen	
D465,296	S	11/2002	DiPasquale	
6,494,599	B1	12/2002	Leen	
D473,333	S	4/2003	Willmorth	
D506,281	S	6/2005	Randazzo et al.	

D518,221	S	3/2006	Randazzo et al.	
7,066,613	B2	6/2006	Vishwamitra	
D524,475	S	7/2006	Randazzo et al.	
D535,427	S	1/2007	Chandler	
D537,189	S	2/2007	Zhang	
D537,556	S	2/2007	Summerford et al.	
D553,286	S	10/2007	Chung et al.	
D563,016	S	2/2008	Ho et al.	
D563,584	S	3/2008	Lee et al.	
D566,879	S	4/2008	Jamelle et al.	
7,387,409	B1	6/2008	Beadle	
D580,084	S	11/2008	Walsh	
D580,581	S	11/2008	Grant	
D583,494	S	12/2008	Friedman et al.	
7,473,016	B2	1/2009	Flaherty et al.	
D586,493	S	2/2009	Parres	
D589,194	S	3/2009	Sabernig	
D594,152	S	6/2009	Miranda	
D597,696	S	8/2009	Sabernig	
D601,291	S	9/2009	Nankil	
D617,034	S	6/2010	Compton	
D625,455	S	10/2010	Sonneman	
D629,949	S	12/2010	Ho	
D629,954	S	12/2010	Compton	
D629,955	S	12/2010	Compton	
D639,995	S	6/2011	Compton	
D640,806	S	6/2011	Zheng	
D646,832	S	10/2011	Chen	
D647,235	S	10/2011	Nankil	
D662,647	S	6/2012	Nankil	
D669,622	S	10/2012	Orozco	
D671,669	S	11/2012	Orozco	
D681,255	S	* 4/2013	Bickler D26/85
D684,293	S	6/2013	Lastimosa	
D688,413	S	* 8/2013	Tomlinson D26/129
D689,646	S	9/2013	Nankil	
D693,955	S	11/2013	Yang	
D693,956	S	11/2013	Yang	
D694,458	S	11/2013	Yang	
D695,444	S	12/2013	Yang	
D705,476	S	5/2014	Nankil	
D715,475	S	10/2014	Nankil	
D715,478	S	10/2014	Blum et al.	
D728,143	S	* 4/2015	Nankil D26/85
2003/0202340	A1	10/2003	Wu	
2006/0274537	A1	12/2006	Randazzo	

FOREIGN PATENT DOCUMENTS

GB	2046752	4/1995
GB	2057479	7/1996
GB	2088112	11/1999
GB	3005118	7/2002
GB	3009606	12/2002
GB	3010811	2/2003
GB	3010812	2/2003
GB	3010813	2/2003
GB	4005870	1/2008

* cited by examiner

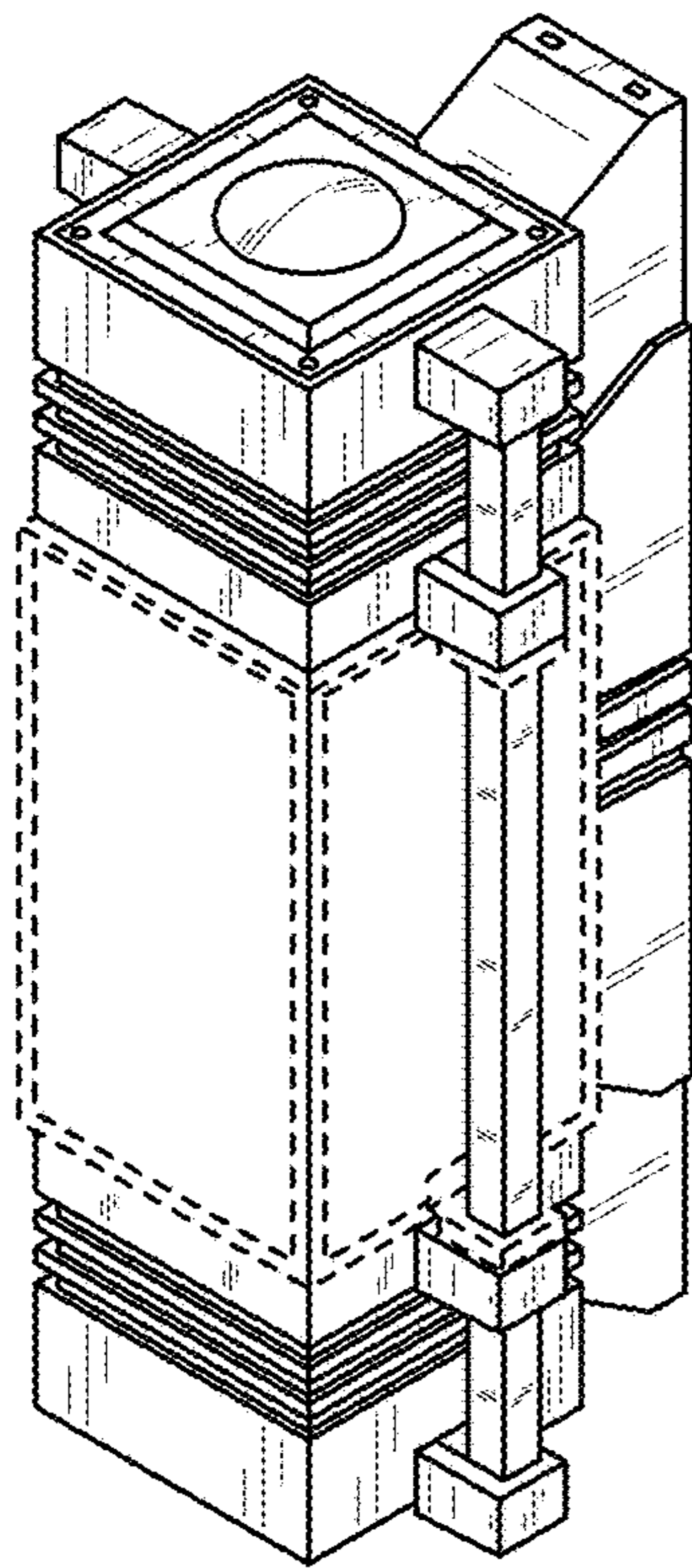


FIG. 1

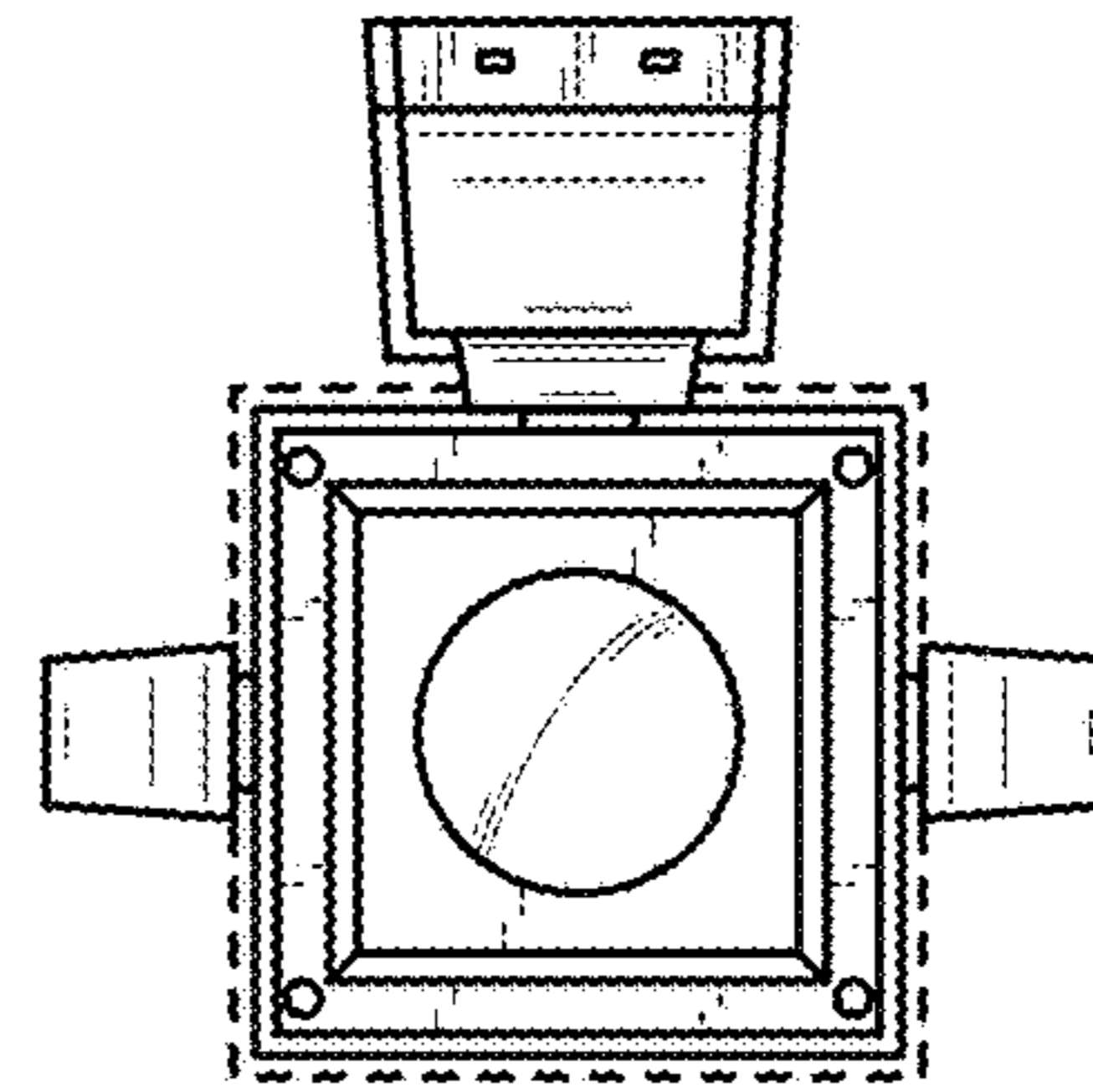


FIG. 2

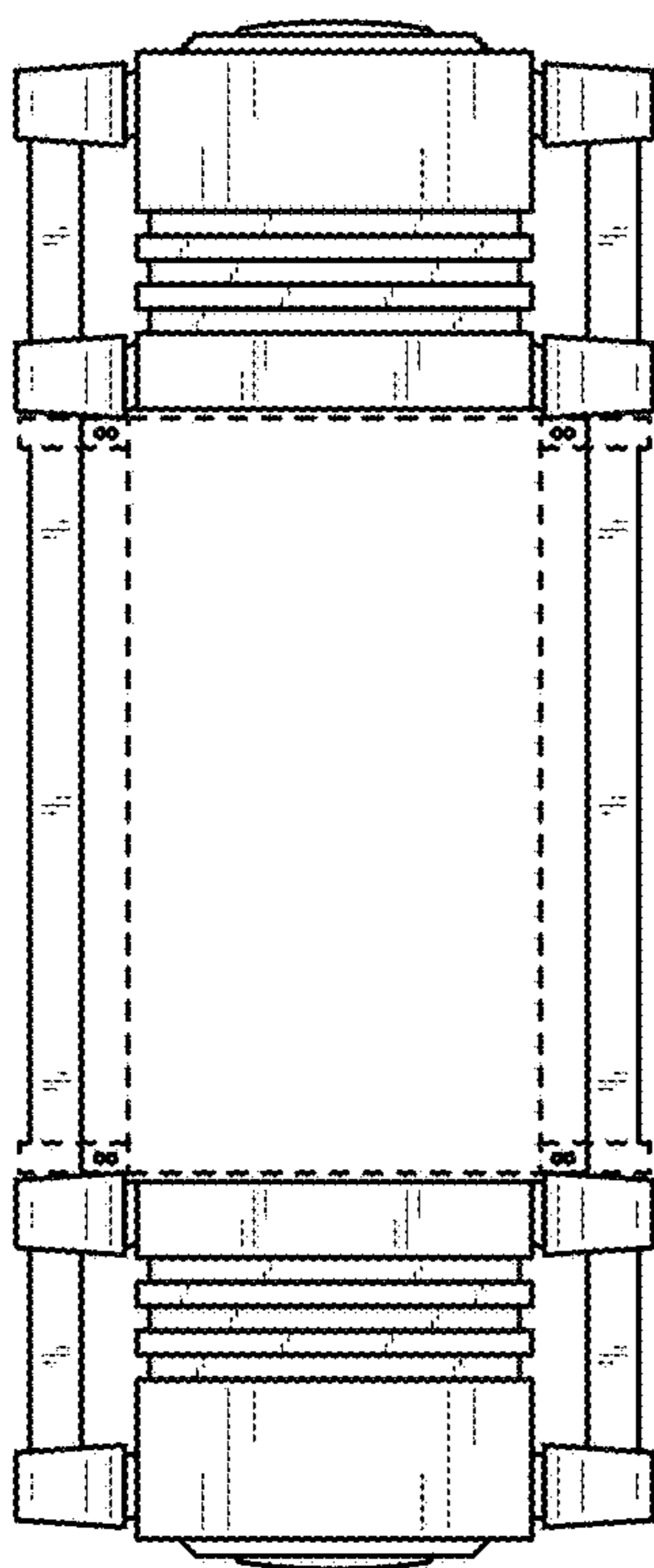


FIG. 3

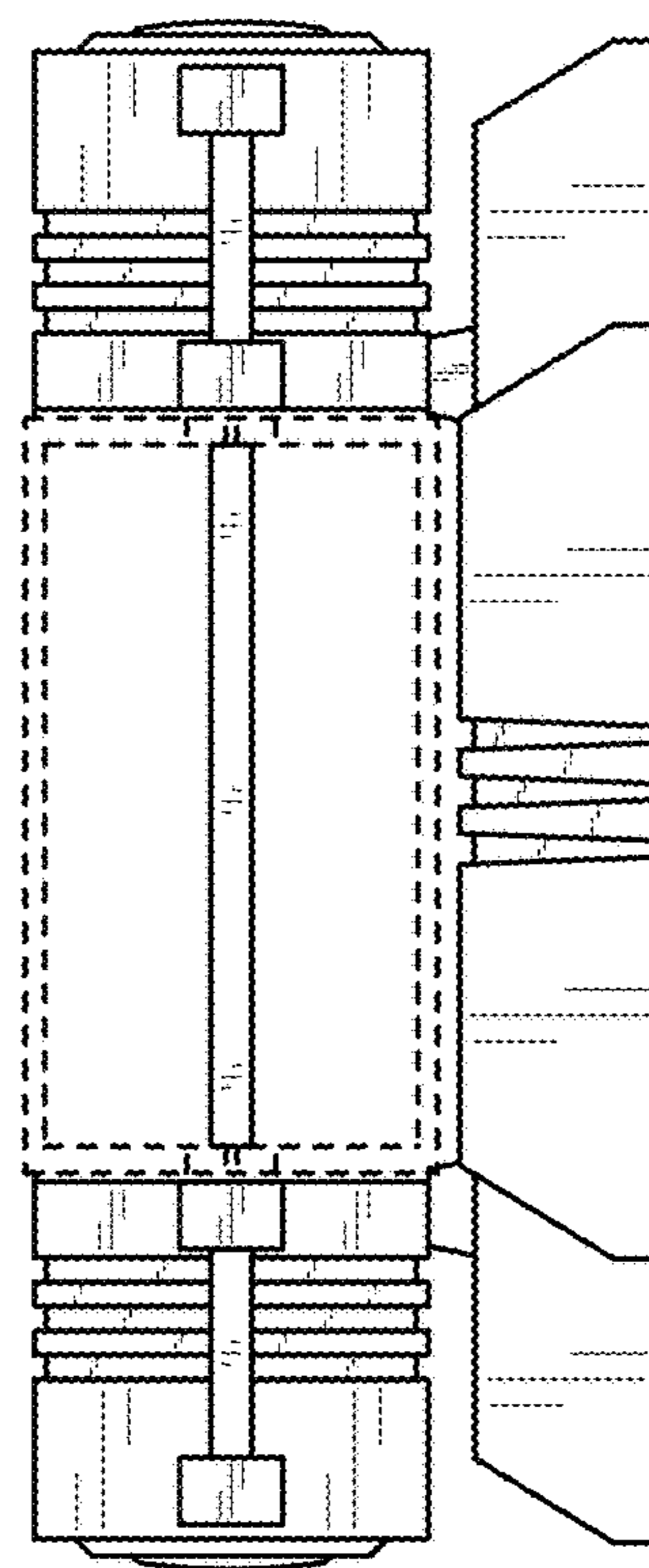


FIG. 4

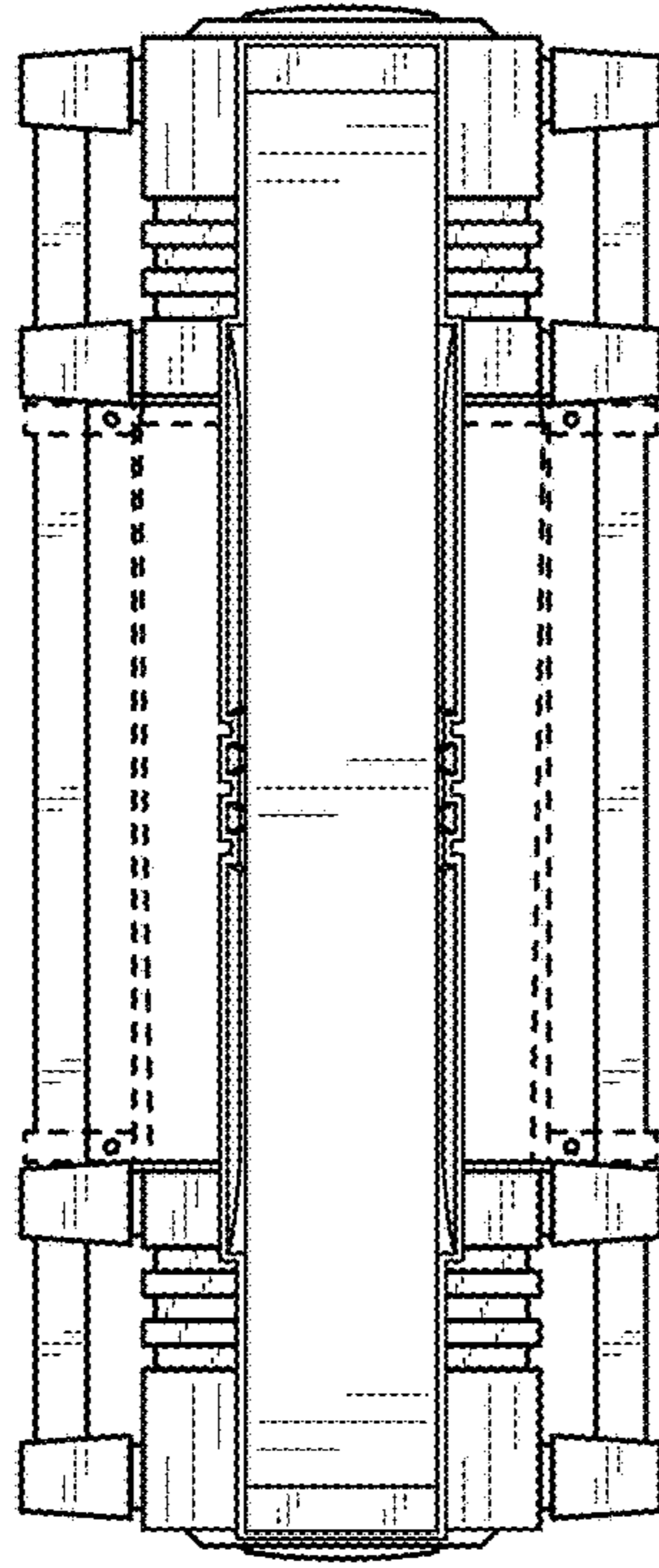


FIG. 5

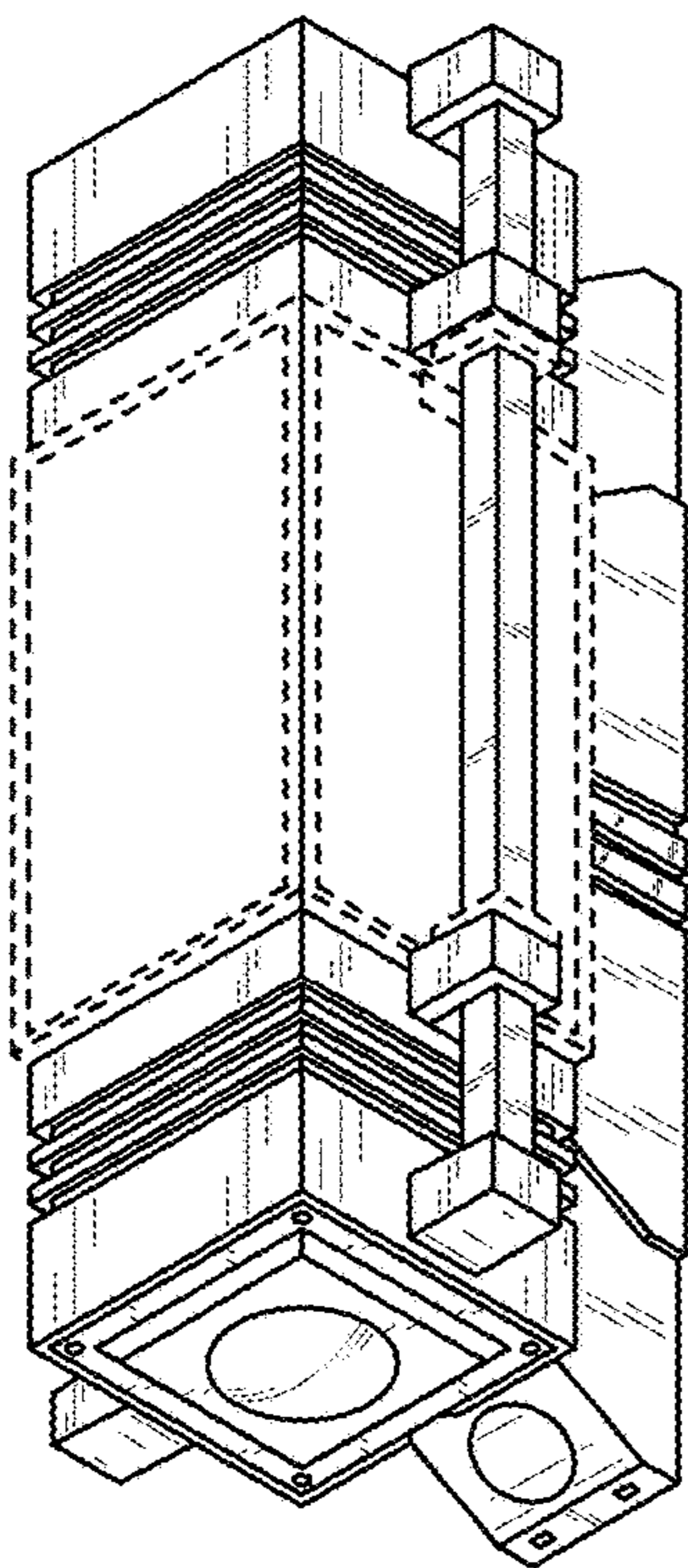


FIG. 6

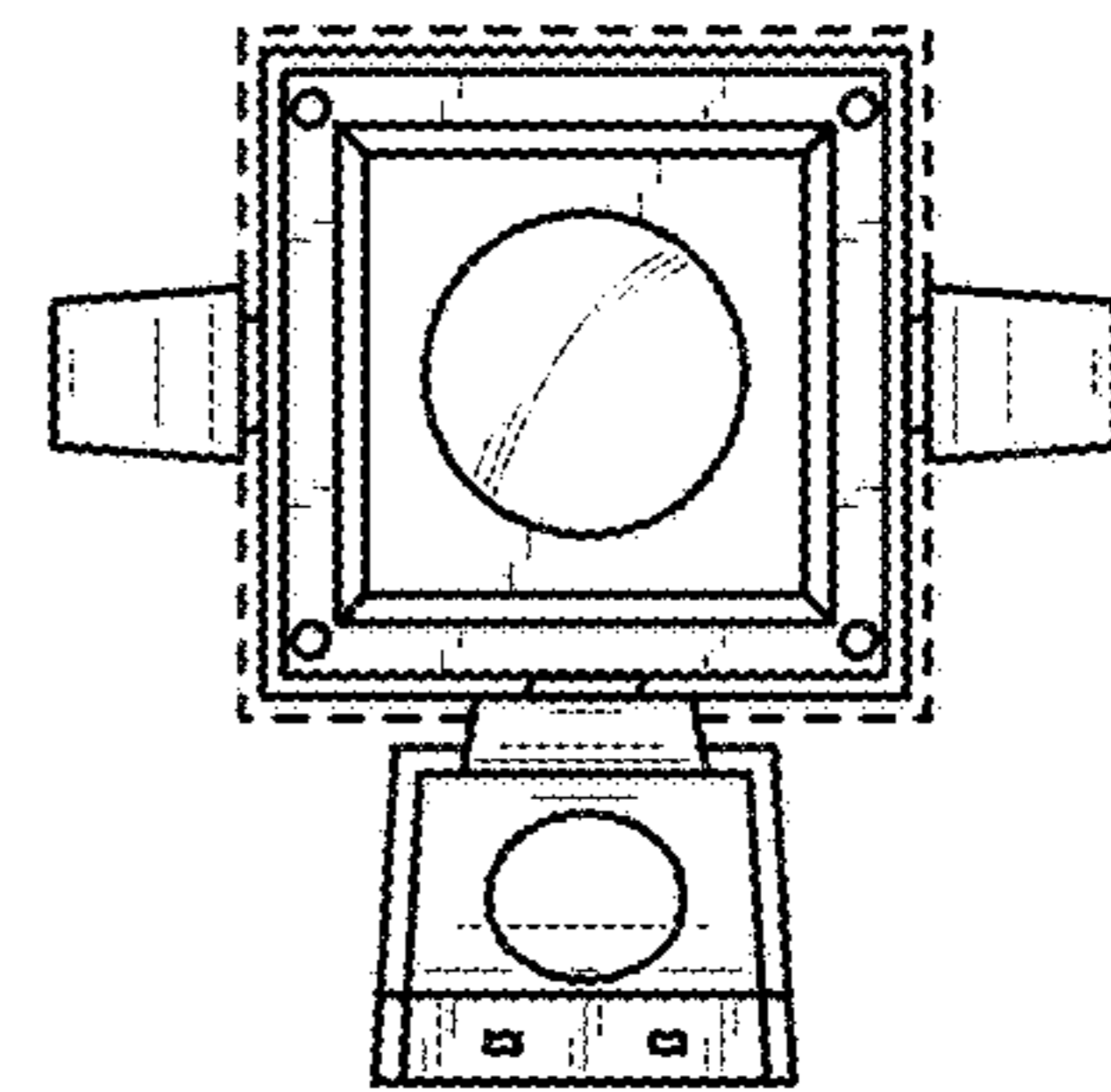


FIG. 7