



US00D773712S

(12) **United States Design Patent** (10) **Patent No.:** **US D773,712 S**  
**Cavaliere et al.** (45) **Date of Patent:** **\*\* Dec. 6, 2016**

(54) **LINEAR LIGHT FIXTURE AND BLOCK-OUT STRUCTURE**

(71) Applicant: **Lumenpulse Lighting Inc.**, Montreal (CA)

(72) Inventors: **David Cavaliere**, Québec (CA); **Yvan Hamel**, Quebec (CA); **Jean-Philippe Pellan**, Québec (CA)

(73) Assignee: **Lumenpulse Lighting Inc.** (CA)

(\*\*) Term: **14 Years**

(21) Appl. No.: **29/491,980**

(22) Filed: **May 27, 2014**

(51) **LOC (10) Cl.** ..... **26-02**

(52) **U.S. Cl.**  
USPC ..... **D26/75**

(58) **Field of Classification Search**

USPC ..... D26/3, 24, 35, 39, 42, 71, 72, 75, 76, 78, D26/79, 80, 81, 82, 83, 85, 88, 90, 118, 119, D26/120, 121, 122, 138  
 CPC ..... F21S 2/00; F21S 4/00; F21S 4/003; F21S 4/005; F21S 4/006; F21S 4/007; F21S 4/008; F21S 6/00; F21S 8/00; F21S 8/024; F21S 8/026; F21S 8/031; F21S 8/033; F21S 8/035-8/037; F21S 8/04; F21S 8/043; F21S 8/063

See application file for complete search history.

(56) **References Cited**

U.S. PATENT DOCUMENTS

D292,619 S *	11/1987	Chen .....	D26/75
D520,173 S *	5/2006	Plunk .....	D26/78
D537,553 S *	2/2007	Kotovskyy .....	D26/75
D667,584 S *	9/2012	Beghelli .....	D26/75

\* cited by examiner

*Primary Examiner* — Brian N Vinson

(74) *Attorney, Agent, or Firm* — Burns & Levinson LLP; Joseph M. Maraia

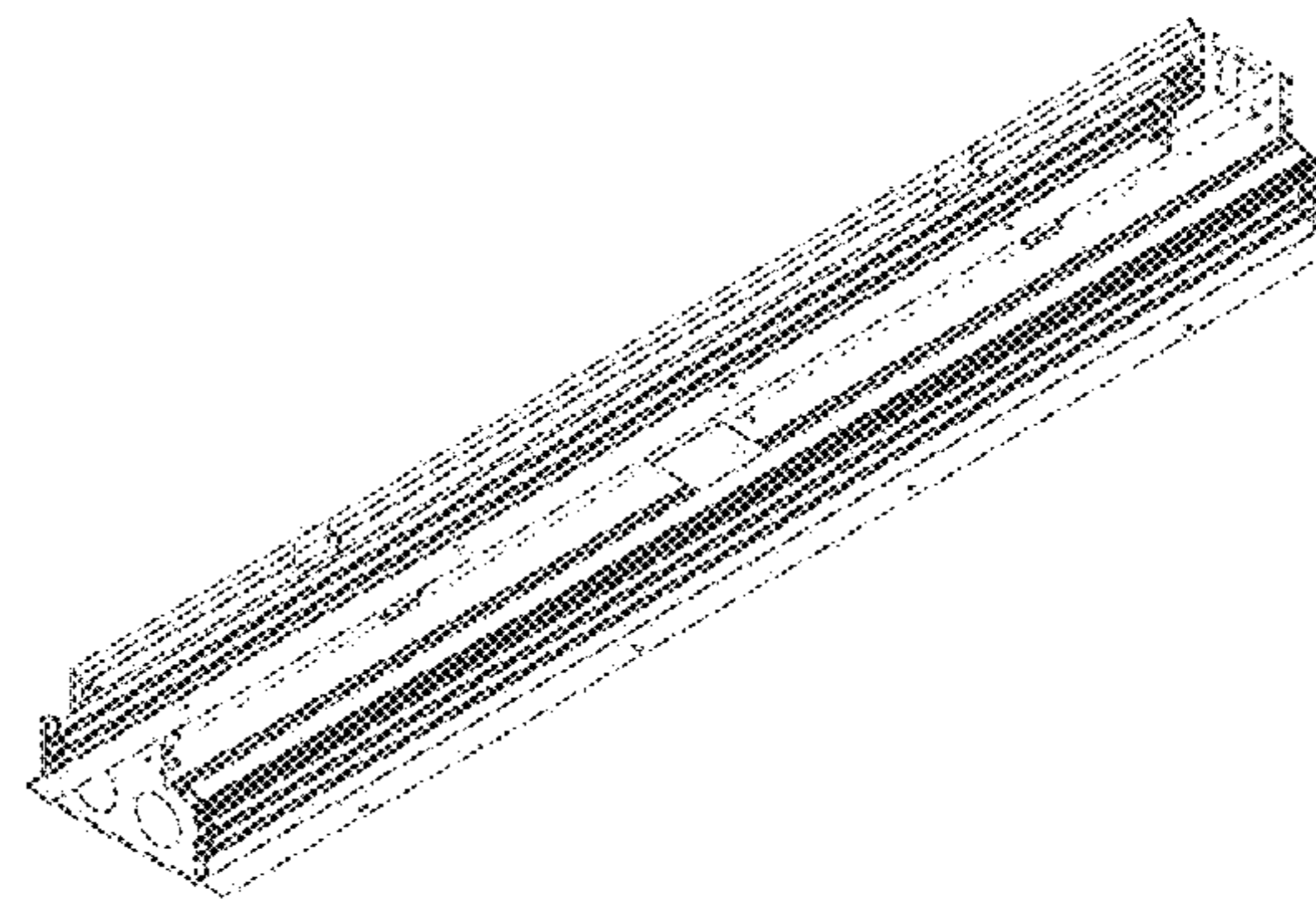
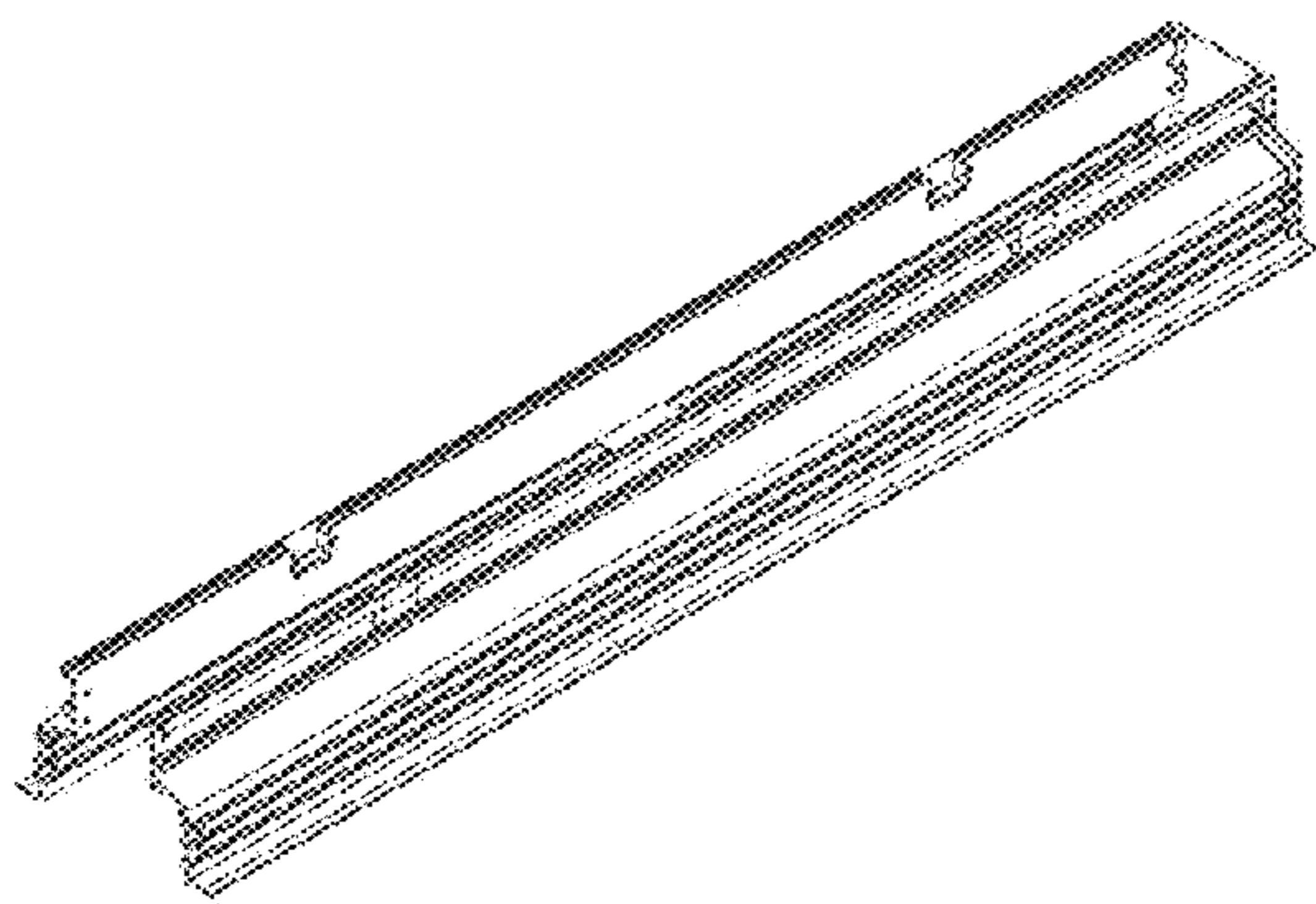
(57) **CLAIM**

The ornamental design for a linear light fixture and block-out structure, as shown and described.

**DESCRIPTION**

FIG. 1 is a top and front isometric view of a linear light fixture and block-out structure showing our new design; FIG. 2 is a bottom and rear isometric view thereof; FIG. 3 is a front elevational view thereof; FIG. 4 is a rear elevational view thereof; FIG. 5 is a left side elevational view thereof; FIG. 6 is a right side elevational view thereof; FIG. 7 is a top plan view thereof; FIG. 8 is a bottom plan view thereof; FIG. 9 is a vertical cross-sectional view thereof, taken along line 9-9 of FIG. 7; and, FIG. 10 is an exploded isometric view thereof. The broken line disclosure represents portions of the structure which form no part of the claimed design.

**1 Claim, 4 Drawing Sheets**



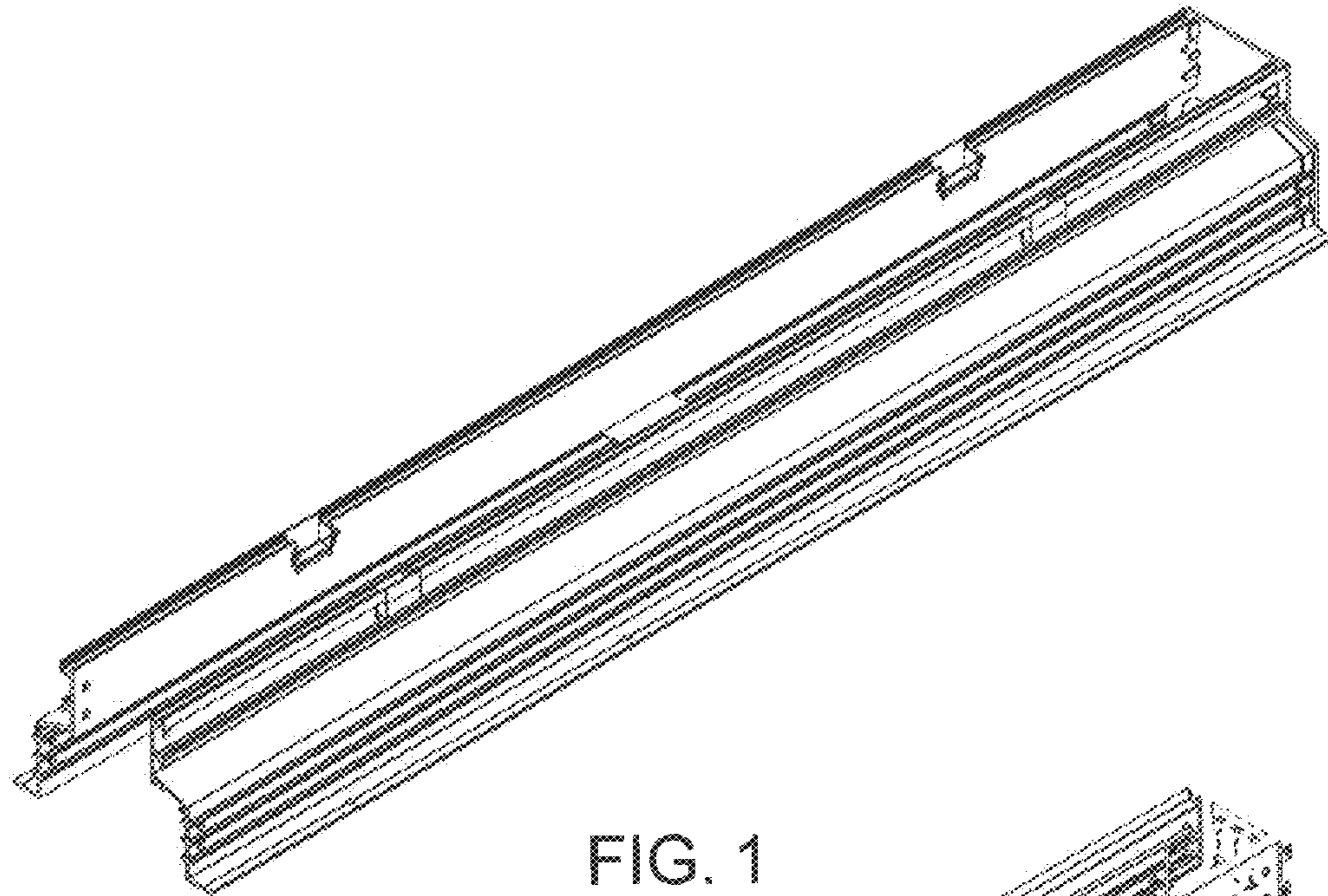


FIG. 1

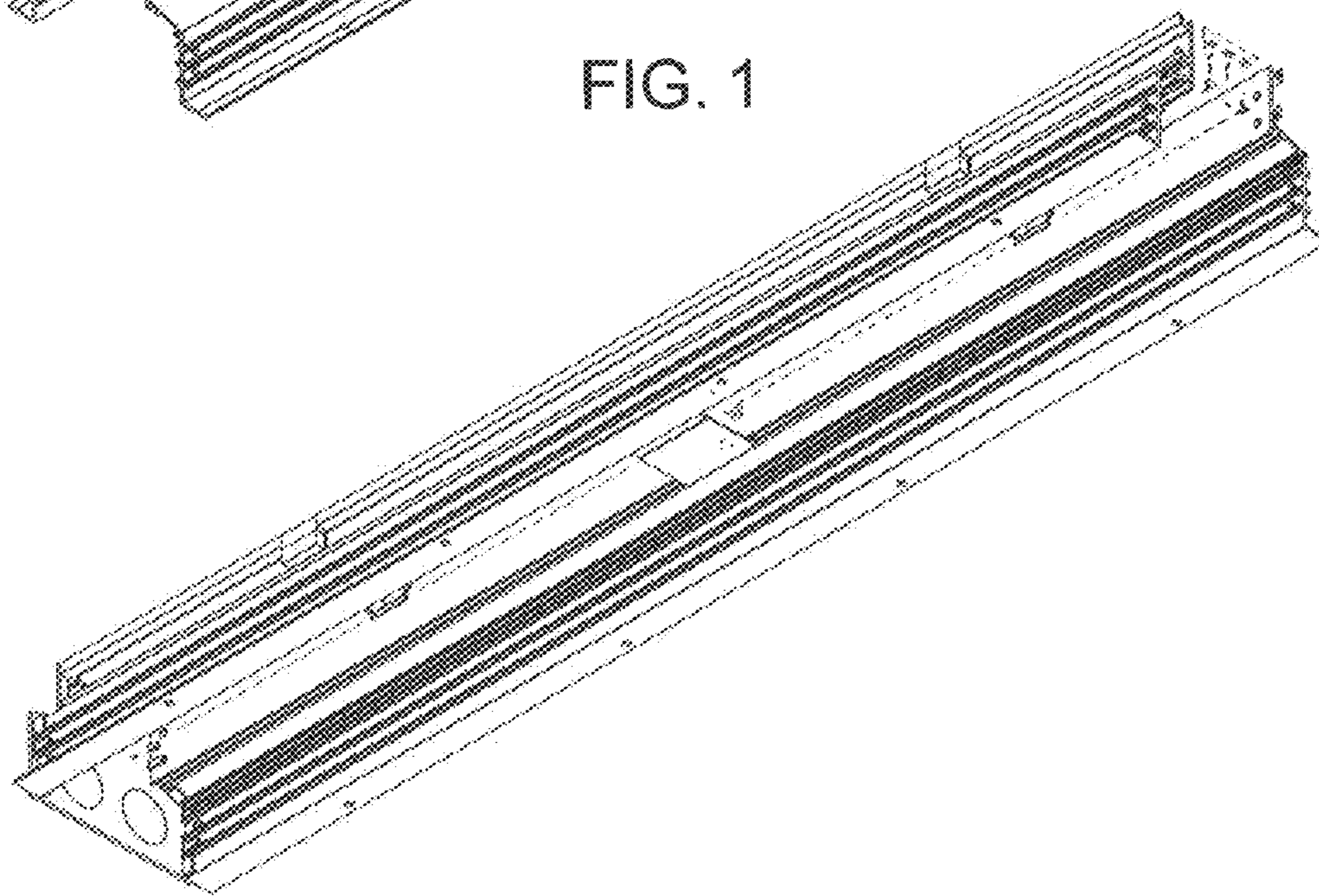


FIG. 2

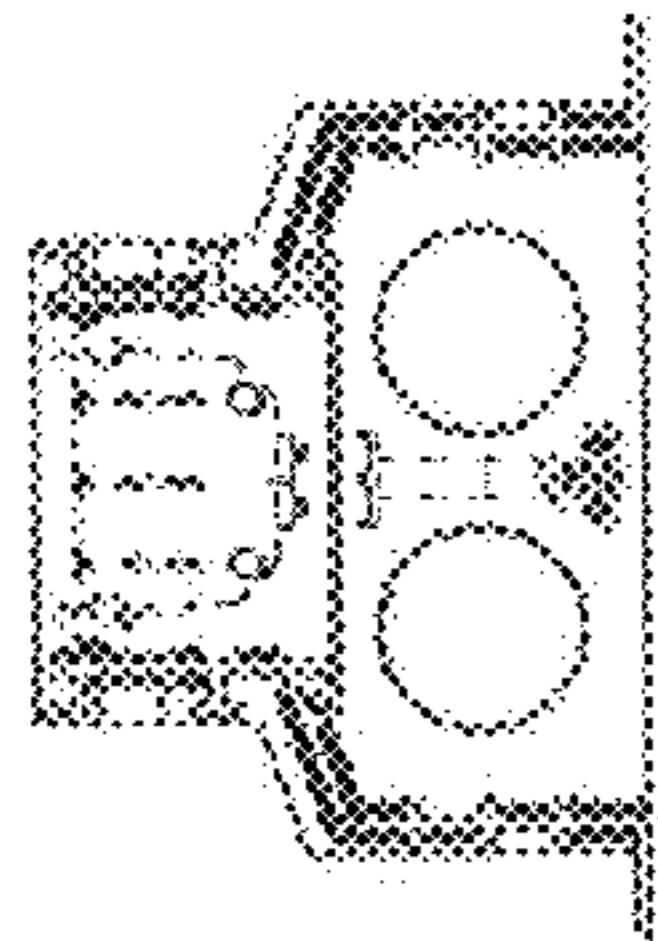


FIG. 3

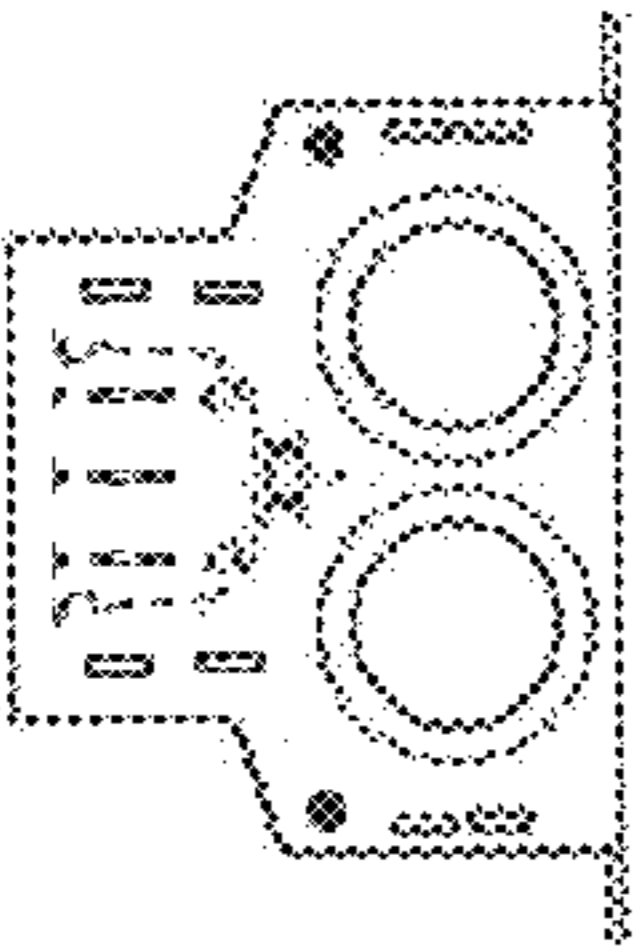


FIG. 4

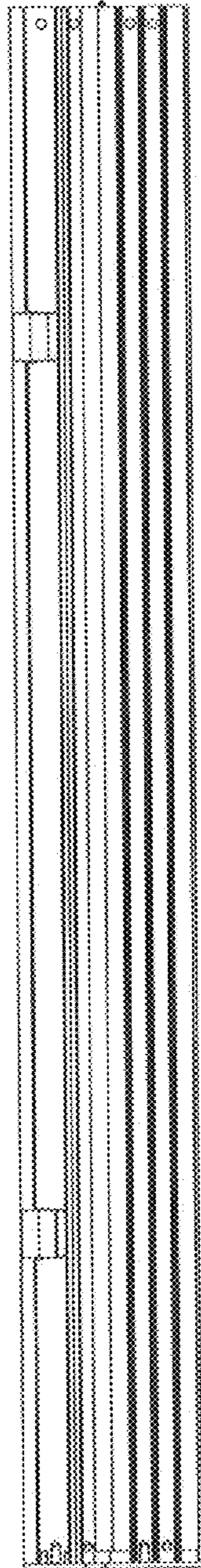


FIG. 5

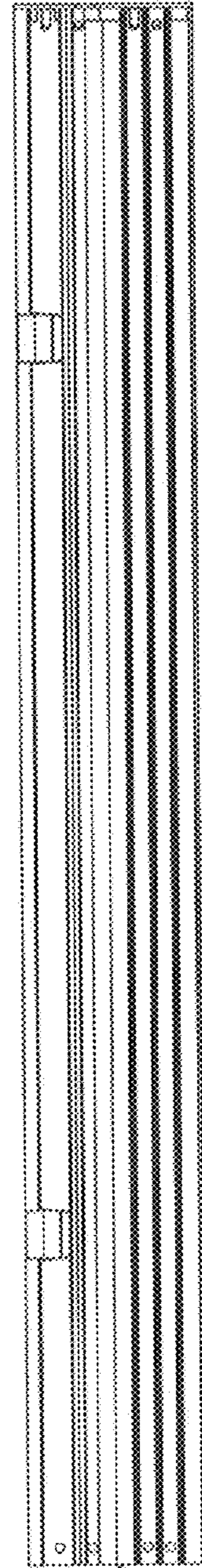


FIG. 6

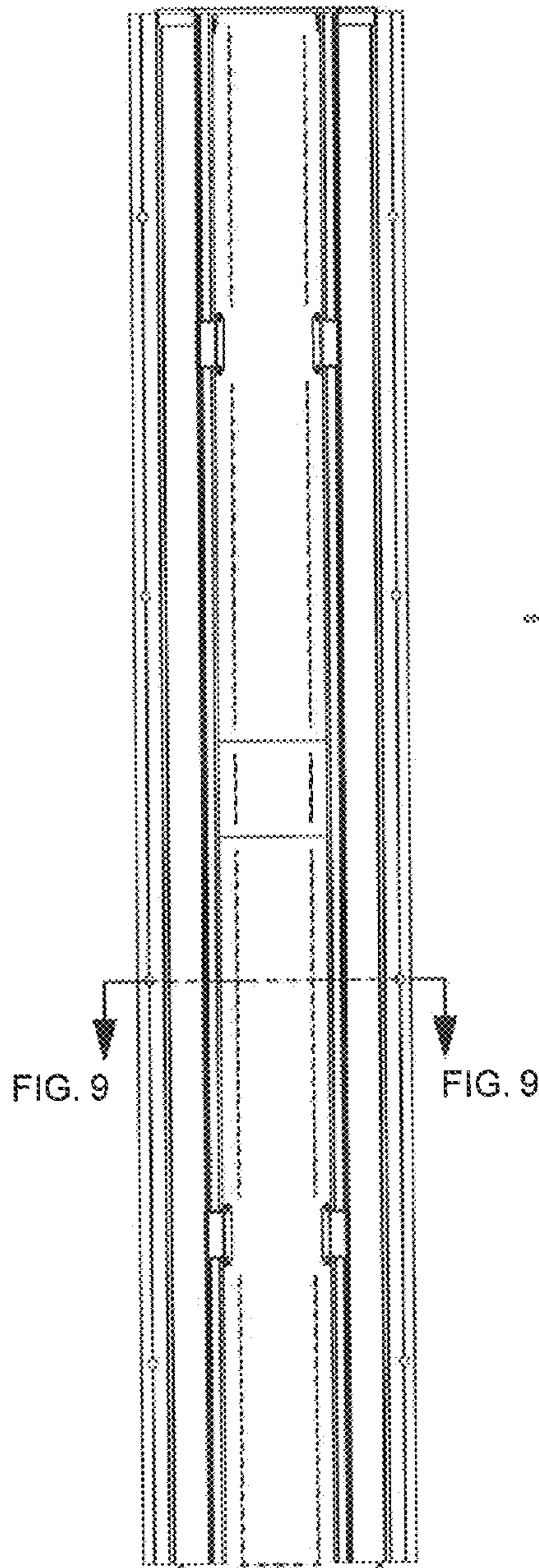


FIG. 7

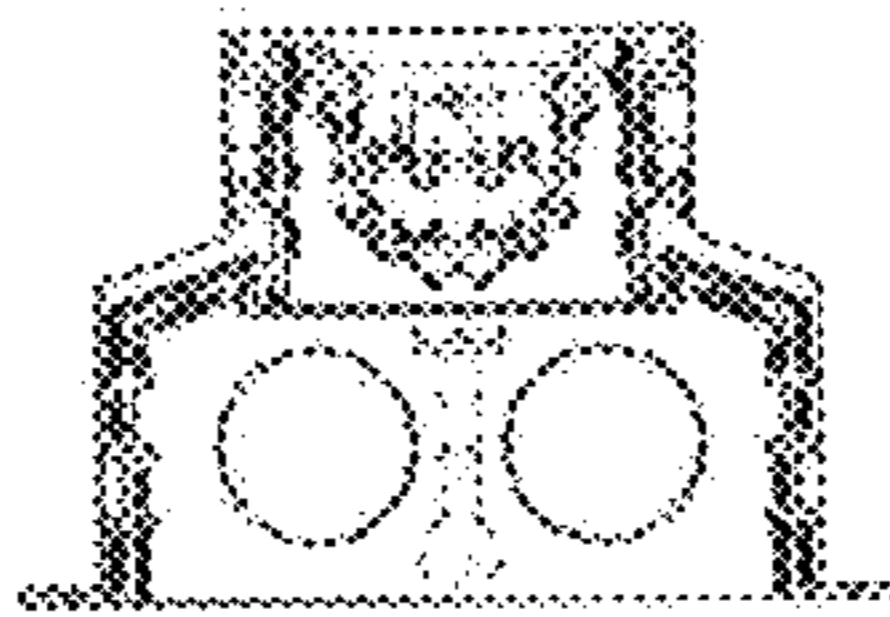


FIG. 9

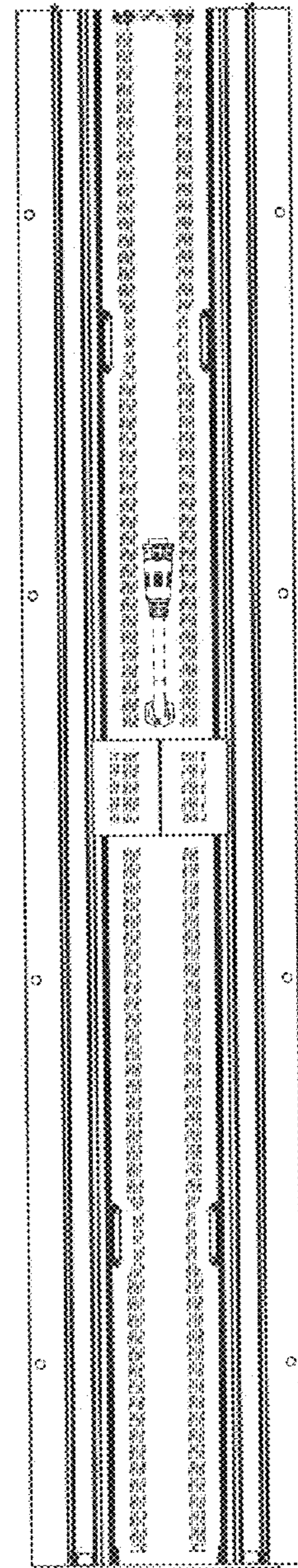


FIG. 8

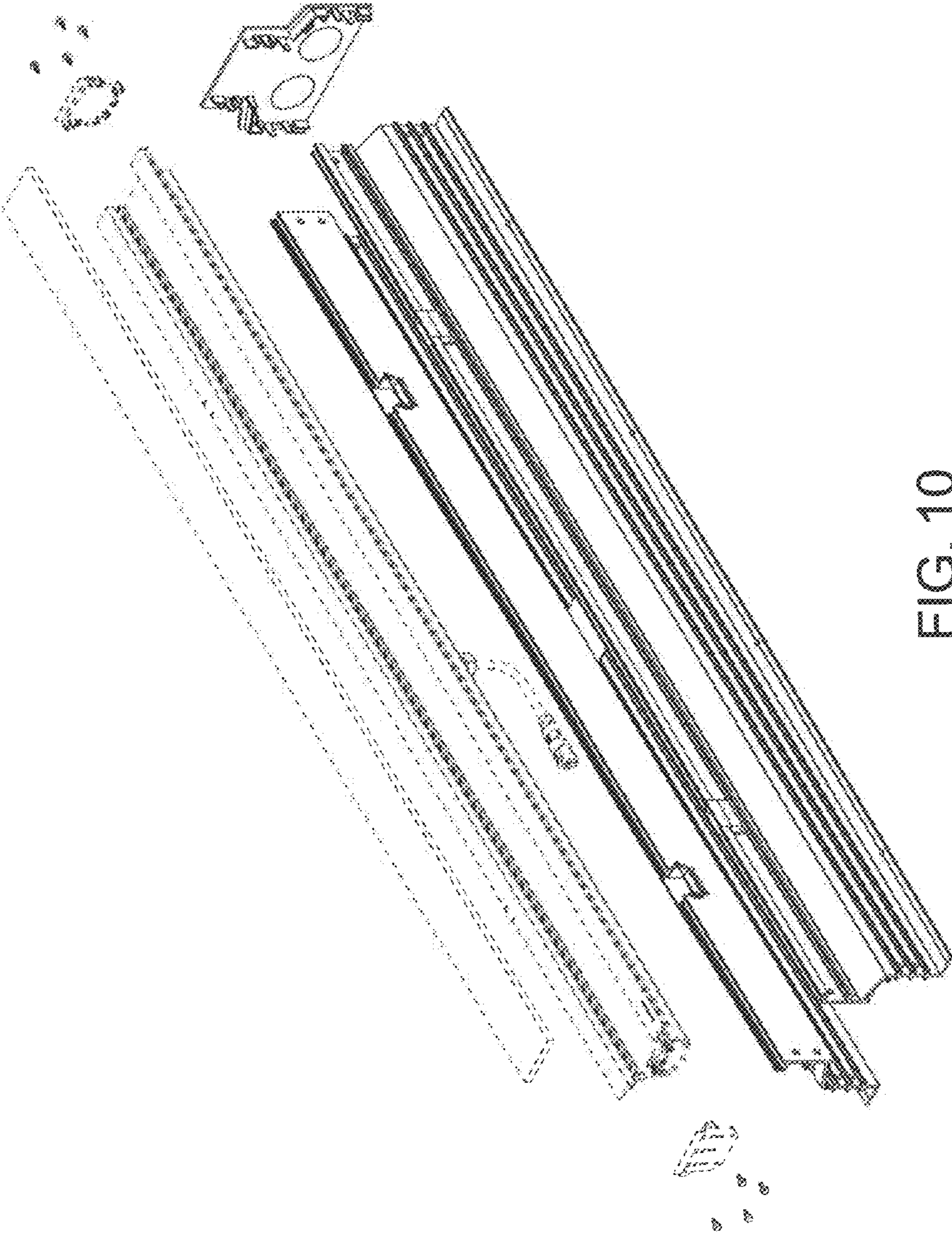


FIG. 10