



US00D773708S

(12) **United States Design Patent** (10) **Patent No.:** **US D773,708 S**  
**Kliegl et al.** (45) **Date of Patent:** **\*\* Dec. 6, 2016**

(54) **LIGHTING DEVICE**

(56) **References Cited**

(71) Applicant: **Production Resource Group, LLC**,  
New Windsor, NY (US)  
  
(72) Inventors: **Robert Kliegl**, Putnam Valley, NH  
(US); **Bruce McFarLane**, Wallkill, NY  
(US); **Gary Leonard**, Wappingers Fall,  
NY (US); **Russell Mahaffey**, Highland  
Village, TX (US); **Ted Samuelson**,  
Flower Mound, TX (US)  
  
(73) Assignee: **Production Resource Group, LLC**,  
New Windsor, NY (US)

U.S. PATENT DOCUMENTS

3,725,695	A	*	4/1973	Eversberg et al.	.....	D26/63
D287,413	S	*	12/1986	Kusmer et al.	.....	D26/65
D418,618	S	*	1/2000	Shuenn-Fa	.....	D26/65
D510,636	S	*	10/2005	Yamamoto	.....	D26/28
D624,224	S	*	9/2010	Guercio et al.	.....	D26/61
D663,877	S	*	7/2012	Quevy et al.	.....	D26/63

\* cited by examiner

*Primary Examiner* — Brian N Vinson

(74) *Attorney, Agent, or Firm* — Law Office of Scott C  
Harris, Inc

(\*\*) Term: **14 Years**

(57) **CLAIM**

We claim the ornamental design for a lighting device, as  
shown and described.

(21) Appl. No.: **29/509,536**

**DESCRIPTION**

(22) Filed: **Nov. 18, 2014**

(51) **LOC (10) Cl.** ..... **26-03**

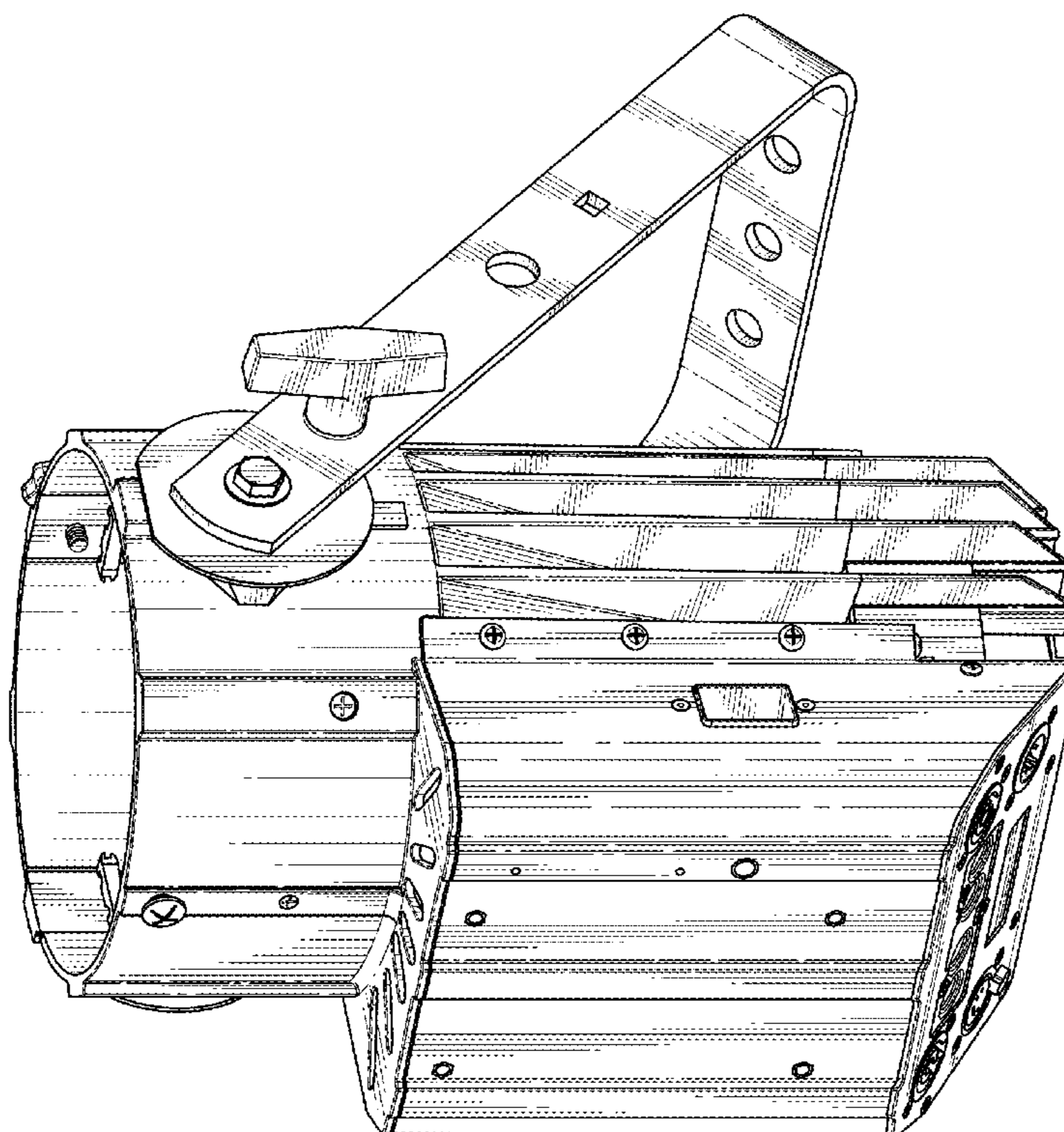
(52) **U.S. Cl.**  
USPC ..... **D26/63**

(58) **Field of Classification Search**  
USPC ..... D26/1, 24, 61, 63, 65, 85, 92  
CPC ..... F21V 21/14; F21V 15/01; F21V 14/02;  
F21V 21/30; F21V 21/00; F21V 14/00;  
F21S 8/00; F21S 8/003; F21S 8/043; F21Y  
2105/001

FIG. 1 is a side perspective view of the lighting device;  
FIG. 2 is a bottom view of the lighting device;  
FIG. 3 shows a top view of the lighting device;  
FIG. 4 shows a side view of the lighting device from a first  
side;  
FIG. 5 shows a side view of the lighting device from a  
second side;  
FIG. 6 shows a front-on view of the lighting device; and,  
FIG. 7 shows a rear-on view of the lighting device.  
The broken line disclosure represents portions of the lighting  
device which form no part of the claimed design.

See application file for complete search history.

**1 Claim, 7 Drawing Sheets**



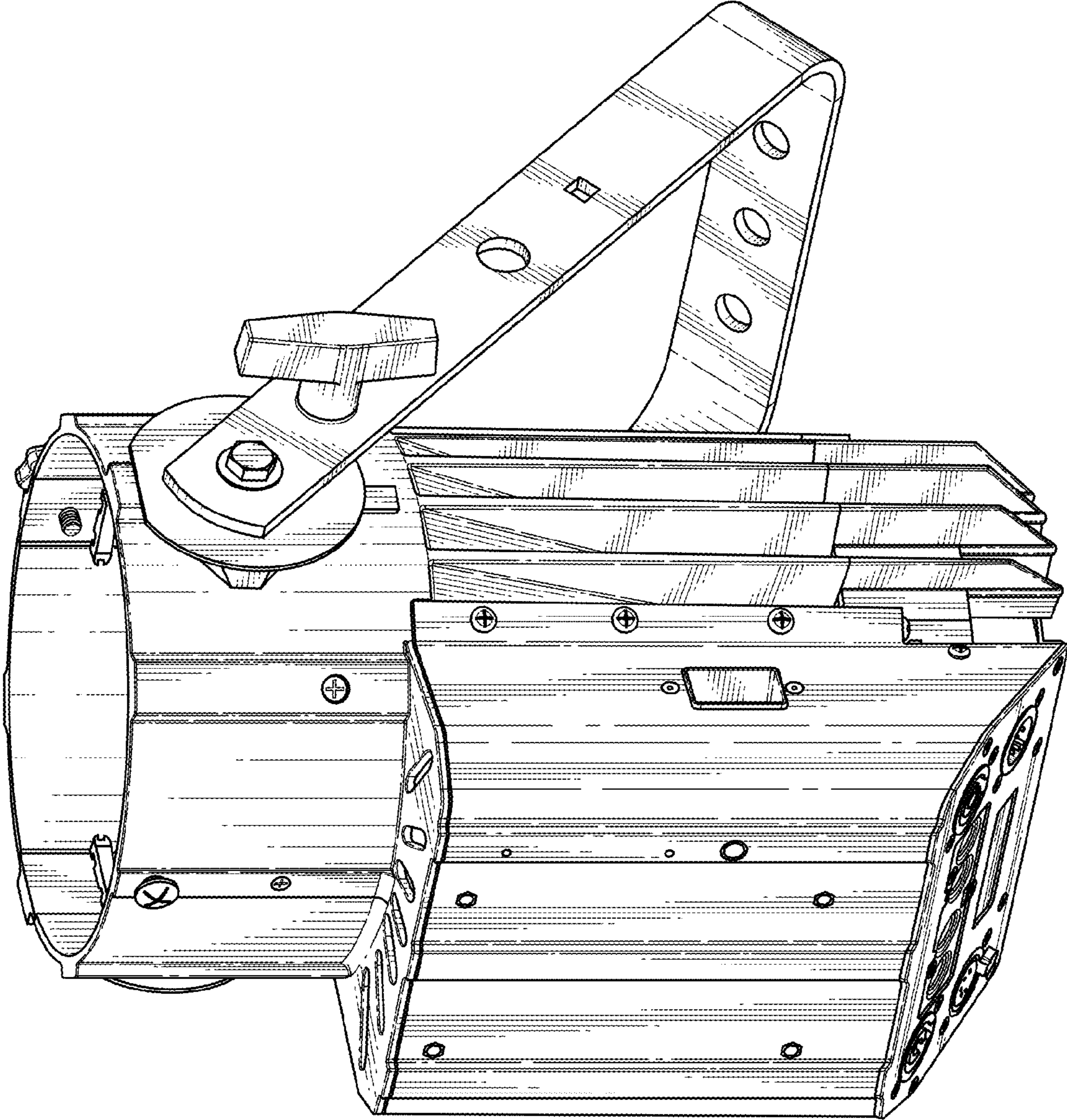


FIG. 1

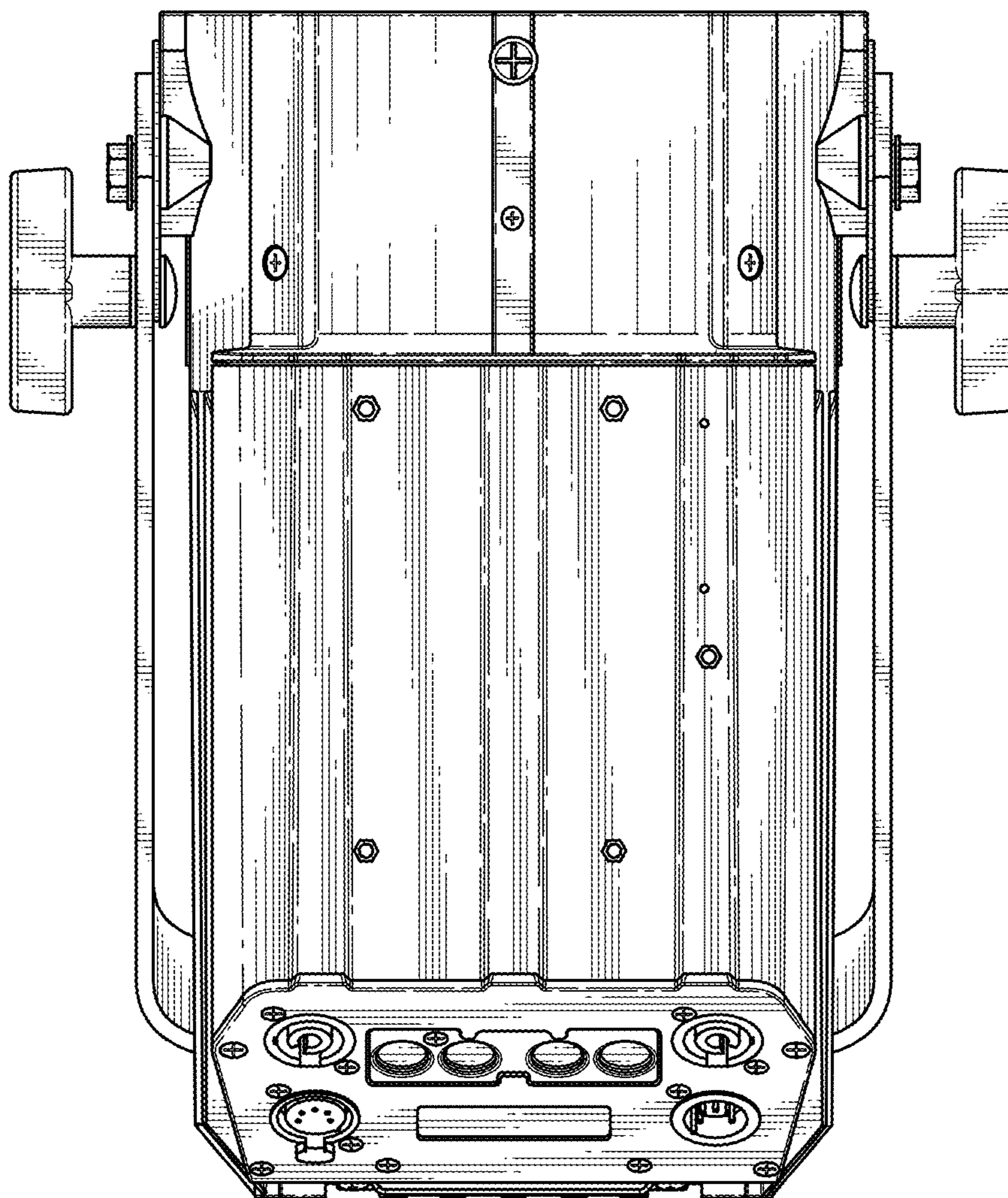


FIG. 2

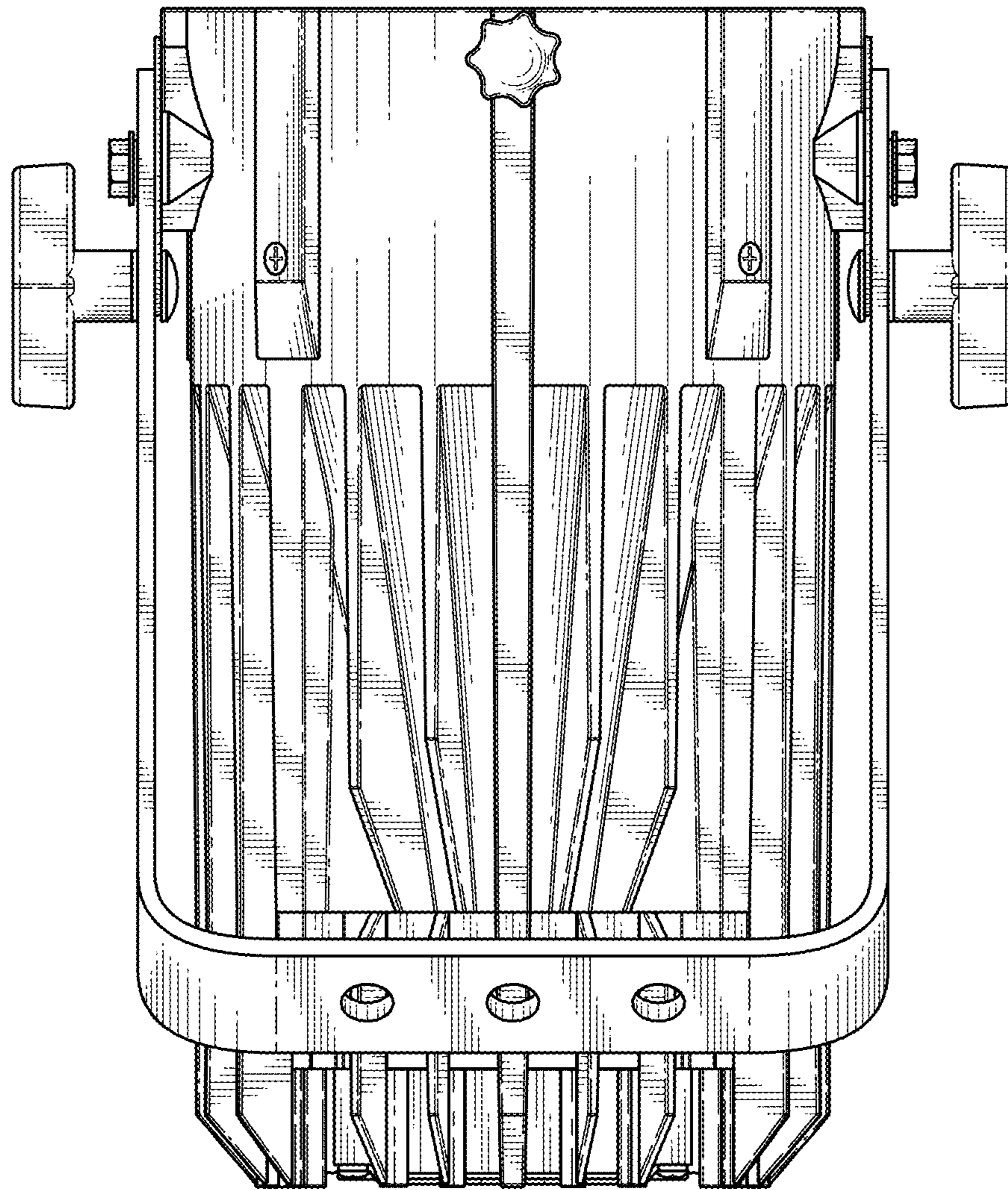


FIG. 3

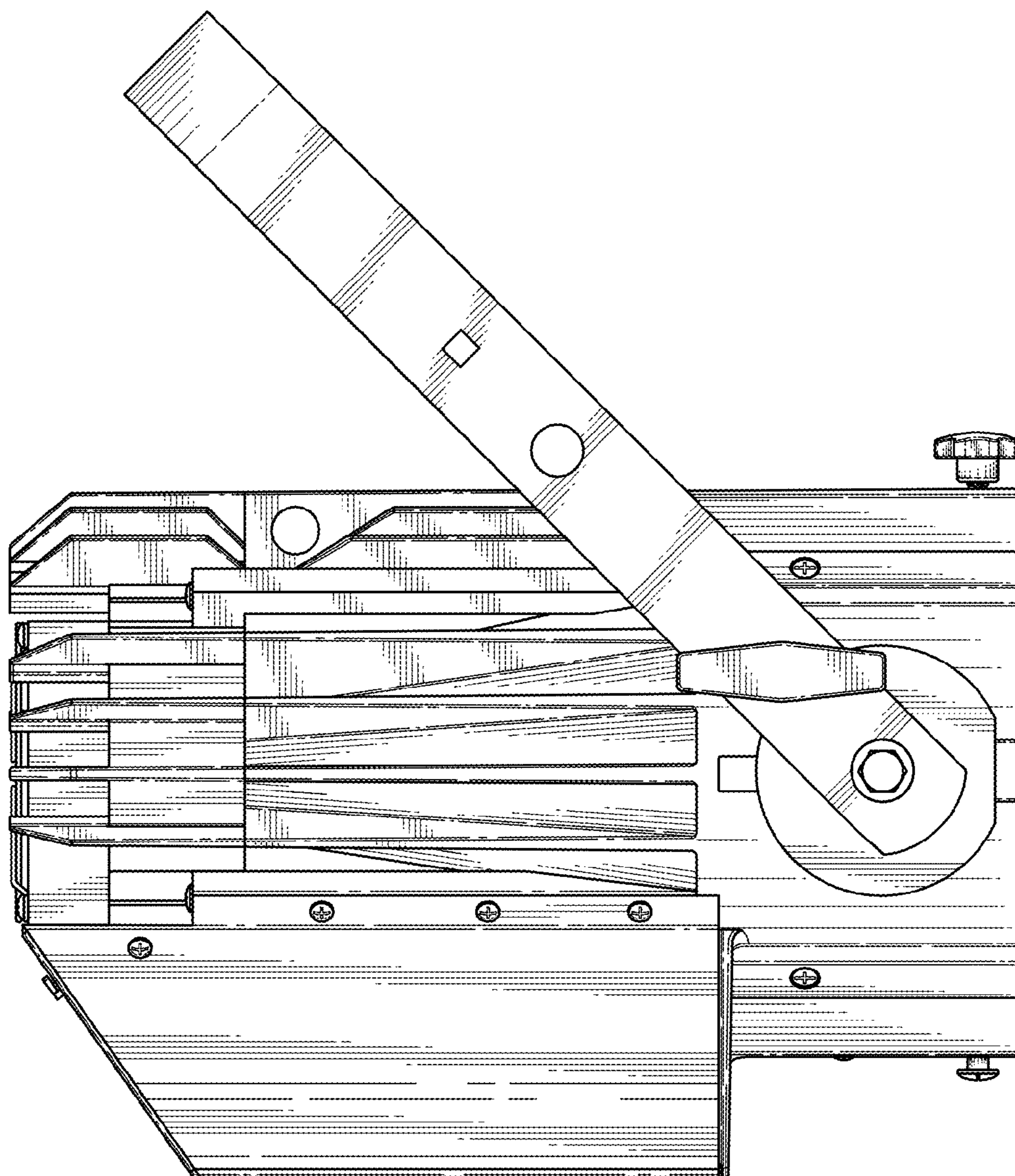


FIG. 4

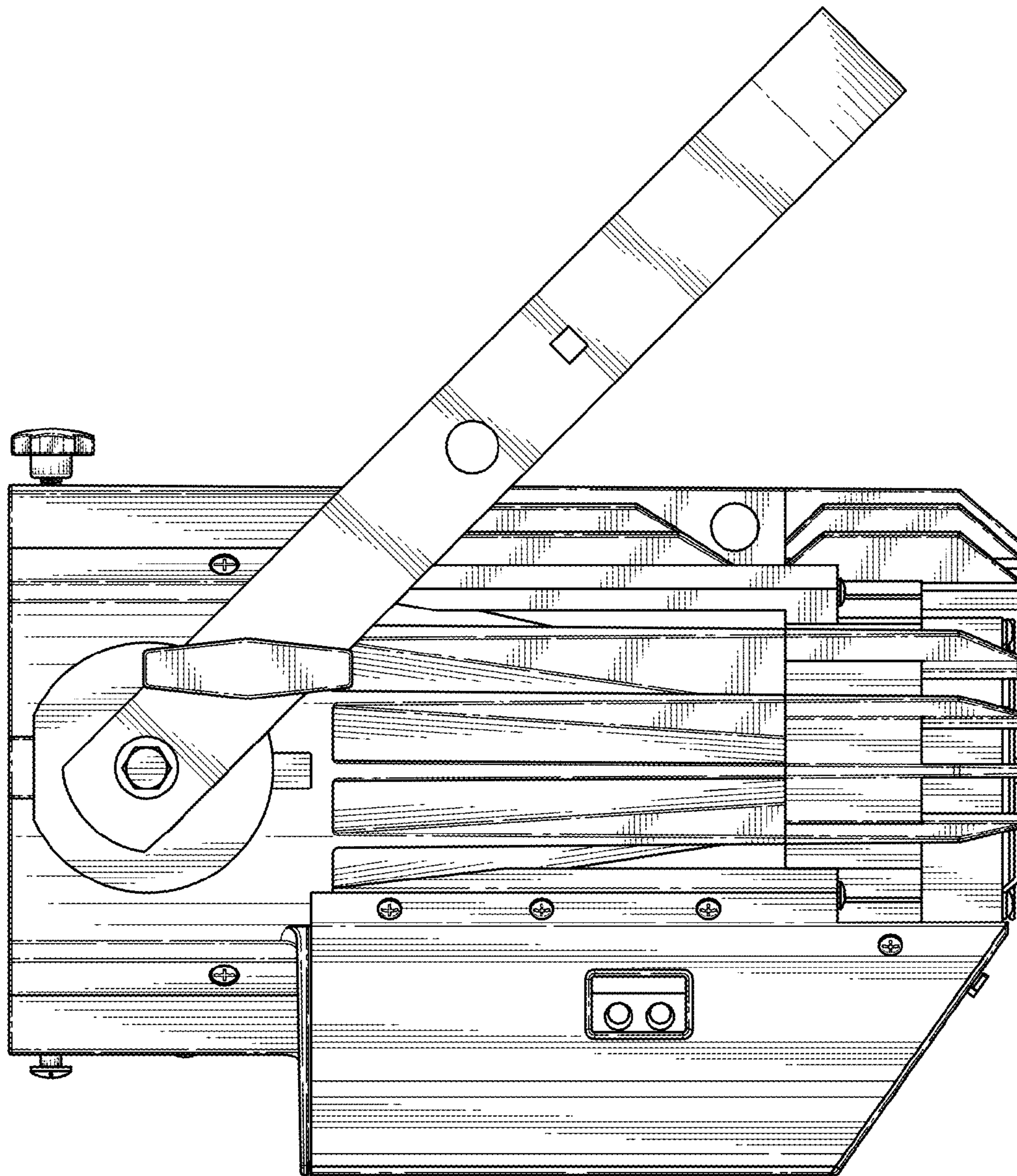


FIG. 5

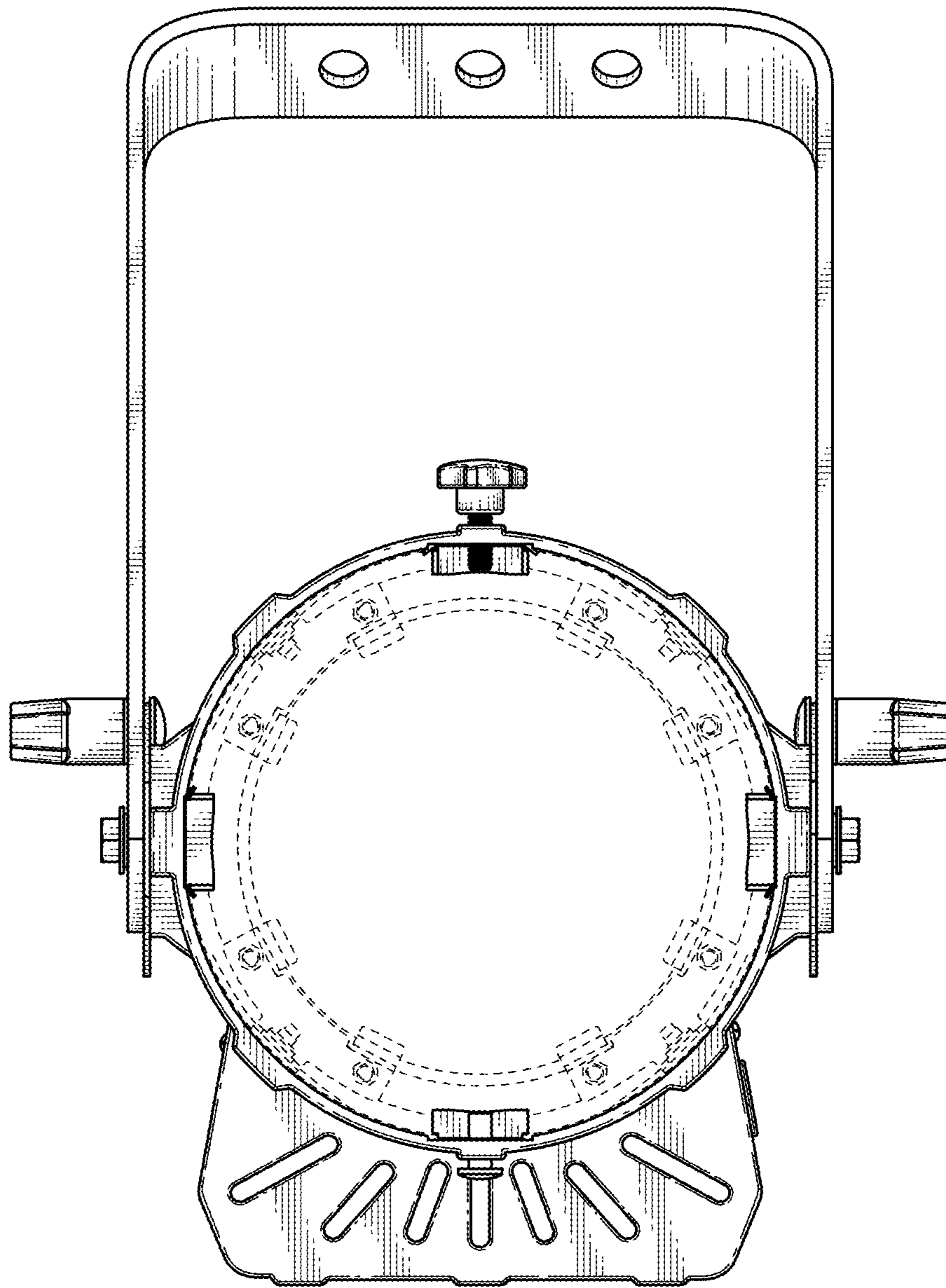


FIG. 6

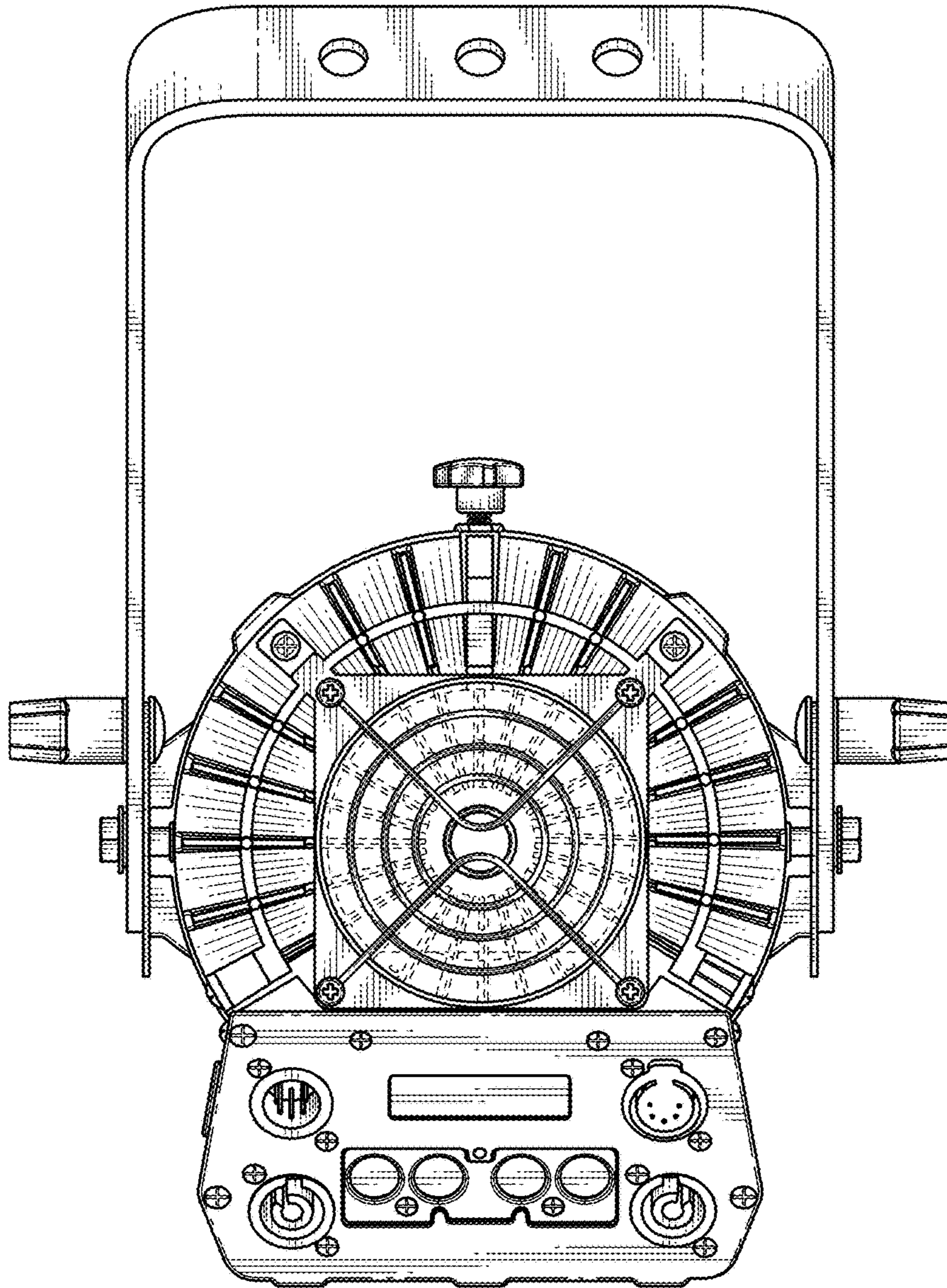


FIG. 7