

US00D773707S

(12) **United States Design Patent** (10) **Patent No.:** **US D773,707 S**  
**Lentine** (45) **Date of Patent:** **\*\* Dec. 6, 2016**

(54) **LANDSCAPE LIGHT**  
(71) Applicant: **Lou Lentine**, Chattanooga, TN (US)  
(72) Inventor: **Lou Lentine**, Chattanooga, TN (US)  
(73) Assignee: **Telebrands Corp.**, Fairfield, NJ (US)  
(\*\*) Term: **14 Years**

D328,147 S 7/1992 Gecchelin  
D333,526 S 2/1993 Taylor  
D333,529 S 2/1993 Denison  
5,280,417 A 1/1994 Hall  
5,367,349 A 11/1994 Zeiler  
5,398,180 A 3/1995 Lee  
5,459,539 A 10/1995 Yamamoto  
D365,169 S 12/1995 Fillipp  
D370,070 S \* 5/1996 Kay ..... D26/63  
5,613,799 A 3/1997 Guide  
(Continued)

(21) Appl. No.: **29/507,757**

**FOREIGN PATENT DOCUMENTS**

(22) Filed: **Oct. 30, 2014**  
(51) **LOC (10) Cl.** ..... **26-03**  
(52) **U.S. Cl.**  
USPC ..... **D26/63**

CN 204141534 2/2015  
CN 303234579 S 6/2015  
(Continued)

(58) **Field of Classification Search**  
USPC ... D26/24, 60-66, 72, 85, 92, 113, 118, 119  
CPC ..... F21V 21/14; F21V 15/01; F21V 14/02;  
F21V 21/30; F21V 14/00; F21Y  
2105/001; F21S 8/00

**OTHER PUBLICATIONS**

Laser Light, available at [www.amazon.com](http://www.amazon.com), accessed on Nov. 13, 2015.  
(Continued)

See application file for complete search history.

*Primary Examiner* — Brian N Vinson  
(74) *Attorney, Agent, or Firm* — Cooper & Dunham, LLP

(56) **References Cited**

(57) **CLAIM**

**U.S. PATENT DOCUMENTS**

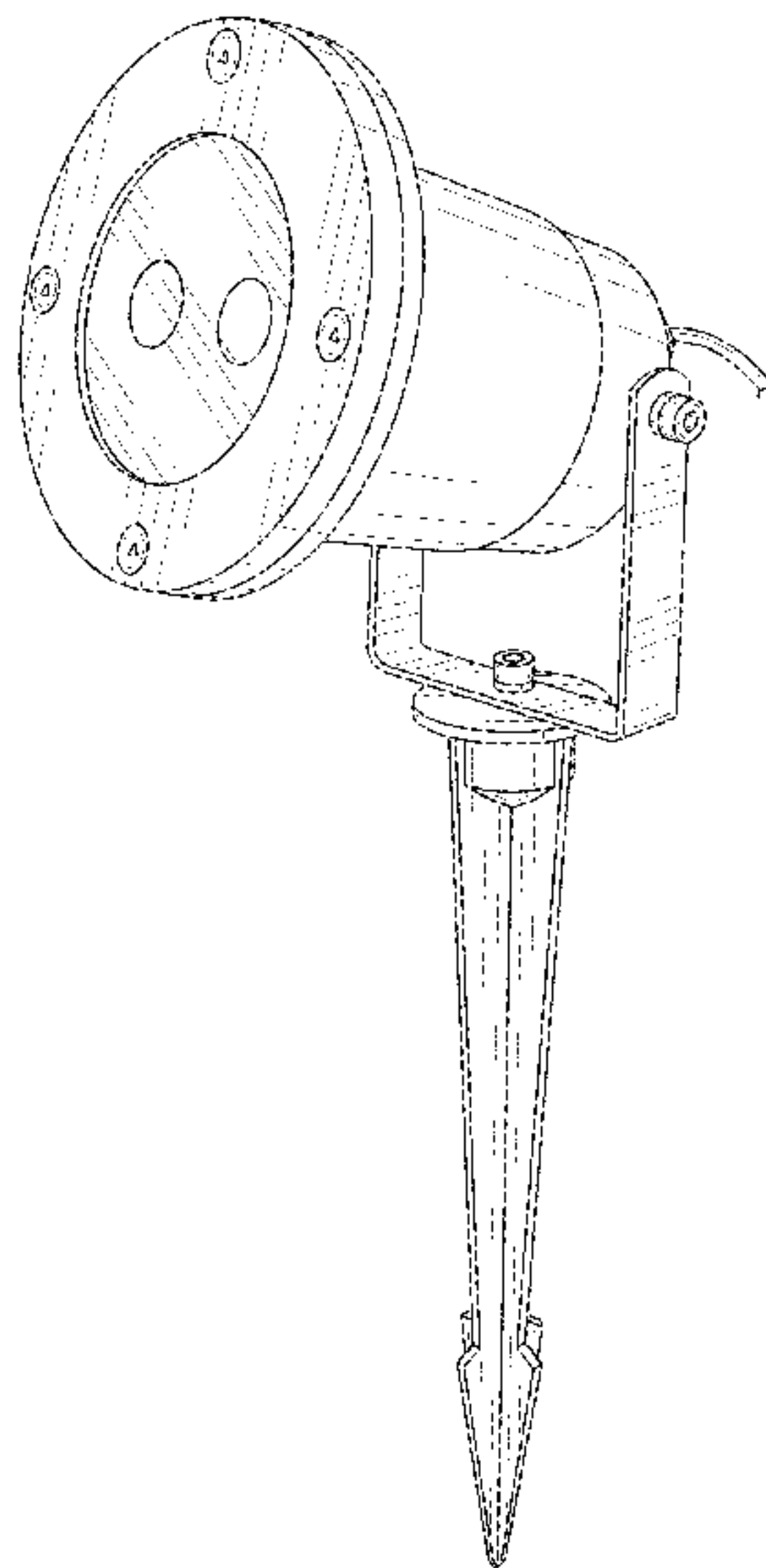
The ornamental design for a landscape light, as shown and described.

3,104,064 A 9/1963 Bellek  
D231,559 S 4/1974 Darling  
D233,778 S 11/1974 Kennedy  
D233,779 S 11/1974 Kennedy  
D234,710 S 4/1975 Beeren  
4,114,112 A 9/1978 Epstein  
4,307,528 A 12/1981 Dewees  
4,458,124 A 7/1984 Kroth  
D278,215 S 4/1985 Patterson  
4,557,055 A 12/1985 Arai  
D282,104 S 1/1986 Taylor  
4,779,176 A 10/1988 Bornhorst  
4,814,961 A 3/1989 O'Brien  
5,036,447 A 7/1991 Taylor  
D323,406 S 1/1992 Fisher  
5,086,379 A 2/1992 Denison

**DESCRIPTION**

FIG. 1 is a front perspective view;  
FIG. 2 is a front elevation view;  
FIG. 3 is a rear elevation view;  
FIG. 4 is a left side elevation view;  
FIG. 5 is a right side elevation view;  
FIG. 6 is a top view; and,  
FIG. 7 is a bottom view.

**1 Claim, 5 Drawing Sheets**



(56)

References Cited

OTHER PUBLICATIONS

U.S. PATENT DOCUMENTS

5,626,418	A	5/1997	Angelis	
D414,579	S *	9/1999	Denison .....	D26/63
5,971,545	A	10/1999	Haitz	
6,000,813	A	12/1999	Krietzman	
6,145,228	A	11/2000	LaChance	
D437,071	S	1/2001	Andrus	
D438,999	S	3/2001	Bossy	
6,304,237	B1	10/2001	Karakawa	
D482,476	S	11/2003	Kwong	
6,722,771	B1	4/2004	Stephens	
6,874,893	B2	4/2005	Park	
D506,282	S	6/2005	Benghozi	
D506,283	S	6/2005	Benghozi	
D541,966	S	5/2007	Benghozi	
D550,877	S	9/2007	Mullen	
D551,789	S	9/2007	Mullen	
7,369,584	B2	5/2008	Goldman	
D574,532	S *	8/2008	Lee .....	D26/63
D577,453	S	9/2008	Metlen	
D589,191	S	3/2009	Sabernig	
D604,882	S	11/2009	Mier-Langner	
RE41,050	E	12/2009	Panasewicz	
D605,325	S	12/2009	Sanoner	
7,641,345	B2	1/2010	Johnson	
D616,586	S	5/2010	Sabernig	
D619,289	S	7/2010	You	
D619,290	S	7/2010	You	
D625,871	S	10/2010	Huang	
7,832,918	B2	11/2010	Chien	
D632,414	S	2/2011	Croce	
8,003,886	B1	8/2011	Rintz	
D649,671	S	11/2011	Ferro	
8,057,045	B2	11/2011	Johnson	
8,100,537	B2	1/2012	Johnson	
8,100,538	B2	1/2012	Kuroda	
D659,871	S *	5/2012	Lee .....	D26/63
D667,981	S *	9/2012	Connolly .....	D26/63
8,297,825	B2	10/2012	Onishi	
8,303,129	B1	11/2012	Thielen	
8,366,292	B2	2/2013	McDermott	
8,376,574	B2	2/2013	Spartano	
8,436,553	B2	5/2013	Zampini	
8,480,233	B2	7/2013	Smith	
8,693,513	B2	4/2014	Achtenhagen	
8,721,160	B2	5/2014	Chien	
D723,726	S *	3/2015	Reed .....	D26/63
D738,023	S *	9/2015	Rosello Gratacos .....	D26/63
2002/0101571	A1	8/2002	Panasewicz	
2003/0189825	A1	10/2003	Tauch	
2004/0119951	A1	6/2004	Vitantonio	
2005/0024863	A1	2/2005	Phipps	
2006/0158138	A1	7/2006	Walter	
2006/0198153	A1	9/2006	Chien	
2007/0064290	A1	3/2007	Hochenbleicher	
2008/0316732	A1	12/2008	Blake	
2009/0122564	A1	5/2009	Beadle	
2009/0168026	A1	7/2009	Chen	
2010/0053969	A1	3/2010	Weinheimer	
2014/0036487	A1	8/2012	Adams	
2013/0088723	A1	4/2013	Feldkhun	
2013/0257297	A1	10/2013	Schmidt	
2015/0035437	A1	2/2015	Panopoulos	
2015/0159842	A1	6/2015	Zhang	

FOREIGN PATENT DOCUMENTS

CN	204629169	U	9/2015
EP	1 024 399		2/2000
WO	WO 2015/094009		6/2015
WO	WO 2015/143450		9/2015
WO	WO 2015/149877		10/2015

Night Stars, available at [www.amazon.com](http://www.amazon.com), accessed Nov. 13, 2015.

Poeland Garden Laser Landscape, available at [www.amazon.com](http://www.amazon.com), accessed Nov. 13, 2015.

Remote Controllable RGB Laser, available at [www.amazon.com](http://www.amazon.com), accessed Nov. 13, 2015.

Newest Garden Tree and Outdoor Wall Decoration Laser, available at [www.amazon.com](http://www.amazon.com), accessed Nov. 13, 2015.

Pepnice Red and Green Firefly Laser Light, available at [www.amazon.com](http://www.amazon.com), accessed Nov. 13, 2015.

KLAREN Color Laser Light Projector, available at [www.amazon.com](http://www.amazon.com), accessed Nov. 13, 2015.

Garden Tree and Outdoor Wall Decoration Laser Lights for Holiday Lighting, available at [www.amazon.com](http://www.amazon.com), accessed Nov. 13, 2015.

Green and Red Light Garden Tree and Outdoor Wall Decoration Laser Lights, available at [www.amazon.com](http://www.amazon.com), accessed Nov. 13, 2015.

Moving RED and Green 2 Color Laser Landscape Projector Light w/ Remote, available at [www.amazon.com](http://www.amazon.com), accessed Nov. 13, 2015.

SeresRoad Outdoor Waterproof Star Projector, Landscape Projector, available at [www.amazon.com](http://www.amazon.com), accessed on Nov. 13, 2015.

Us-vision AGO-20RG Modern Outdoor/ Indoor 20 Patterns Gobos Rg Laser Projector, available at [www.amazon.com](http://www.amazon.com), accessed Nov. 13, 2015.

Sminiker Outdoor Laser Light Sparkle Magic Lights Landscape Light Holiday Light, available at [www.amazon.com](http://www.amazon.com), accessed Nov. 13, 2015.

Us-vision Outdoor Holiday Waterproof Green Laser Lighting Show, available at [www.amazon.com](http://www.amazon.com), accessed Nov. 13, 2015.

Improvements All-metal 4-in-1 Projection Light with Remote, available at [www.amazon.com](http://www.amazon.com), accessed Nov. 13, 2015.

KLAREN Color Laser Light Projector—Improvements, available at [www.amazon.com](http://www.amazon.com), accessed Nov. 13, 2015.

Light Flurries, available at [www.lightflurries.com](http://www.lightflurries.com), accessed Mar. 17, 2016.

Outdoor Indoor Spright Smart Firefly Light with Timer Green, available at [www.amazon.com](http://www.amazon.com), accessed May 2, 2016.

Blisslights Spright Spring Smart Outdoor Indoor Firefly Light Projector with Timer, available at [www.amazon.com](http://www.amazon.com), accessed May 2, 2016.

Mr. Christmas Super Green Laser Light Show, available at [www.amazon.com](http://www.amazon.com), accessed May 2, 2016.

BlissLights Motion Laser, available at [www.amazon.com](http://www.amazon.com), accessed May 2, 2016.

Color Laser Lights Instructions, published 2014.

BlissLights Spright Smart User Guide, published 2014.

International Search Report PCT/US2016/021347, published May 17, 2016.

Written Opinion of International Search Authority PCT/US2016/021347, published May 17, 2016.

International Search Report PCT/US2016/021338, published May 16, 2016.

Written Opinion of International Search Authority PCT/US2016/021338, published May 16, 2016.

International Search Report PCT/US2016/021354, published Jun. 30, 2016.

Written Opinion of International Search Authority PCT/US2016/021354, published Jun. 30, 2016.

\* cited by examiner



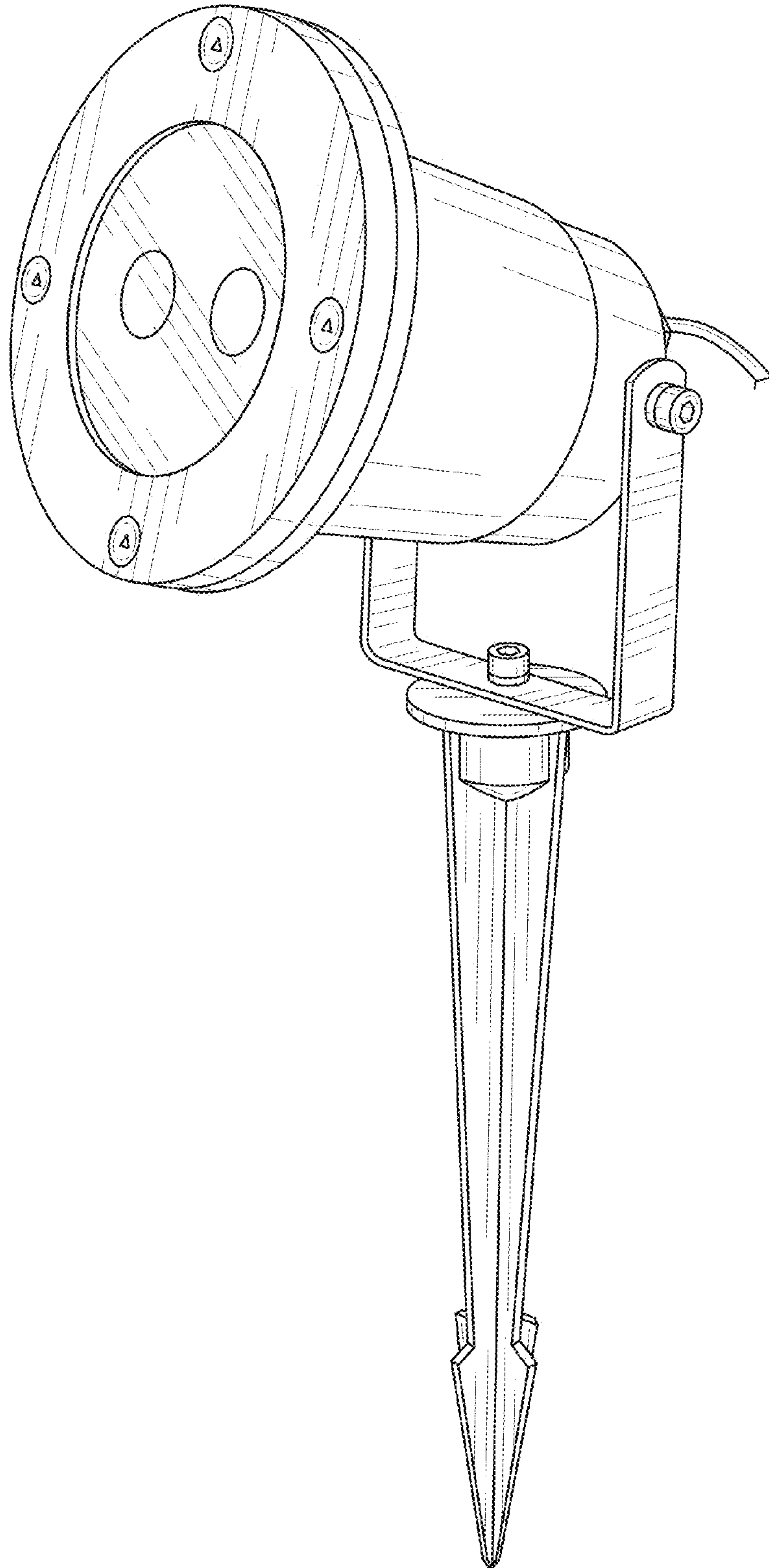


FIG. 1

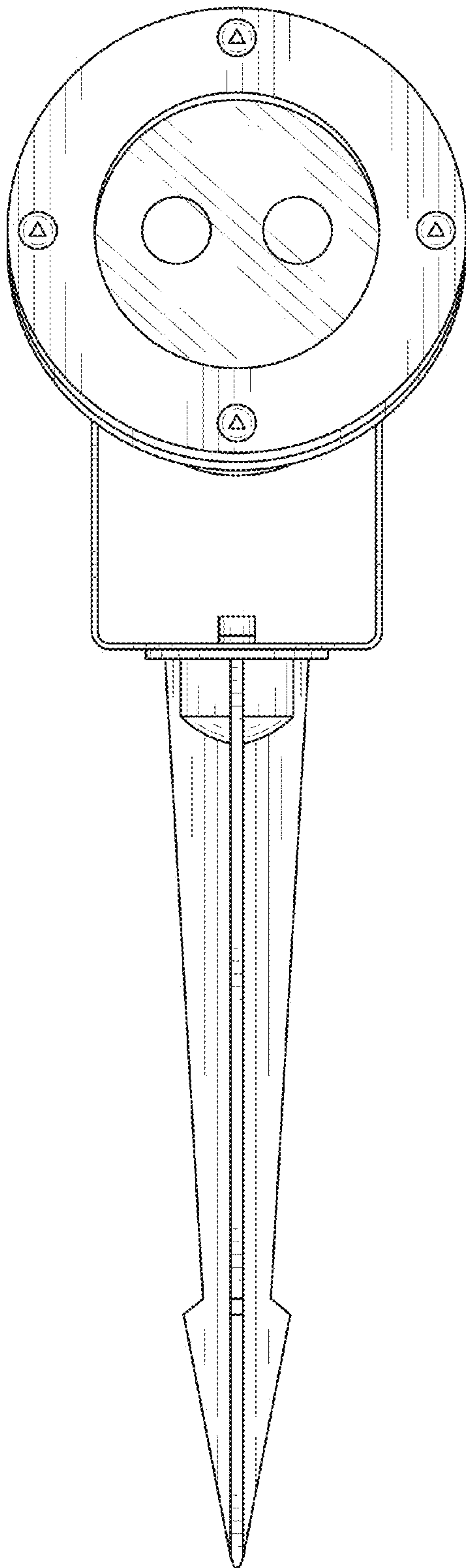


FIG. 2

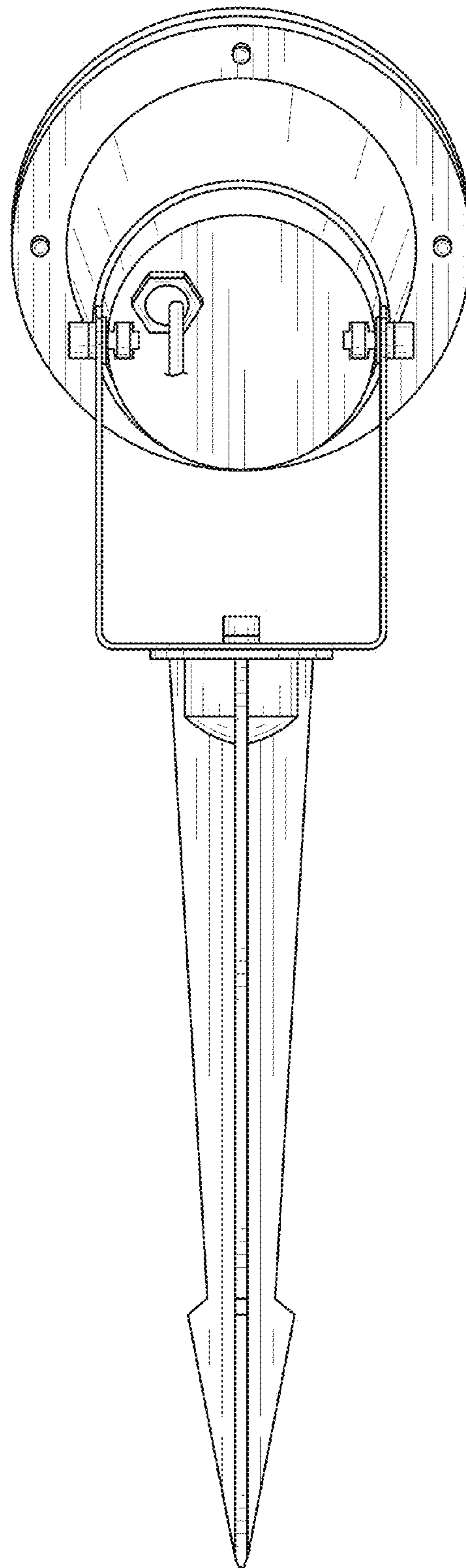


FIG. 3

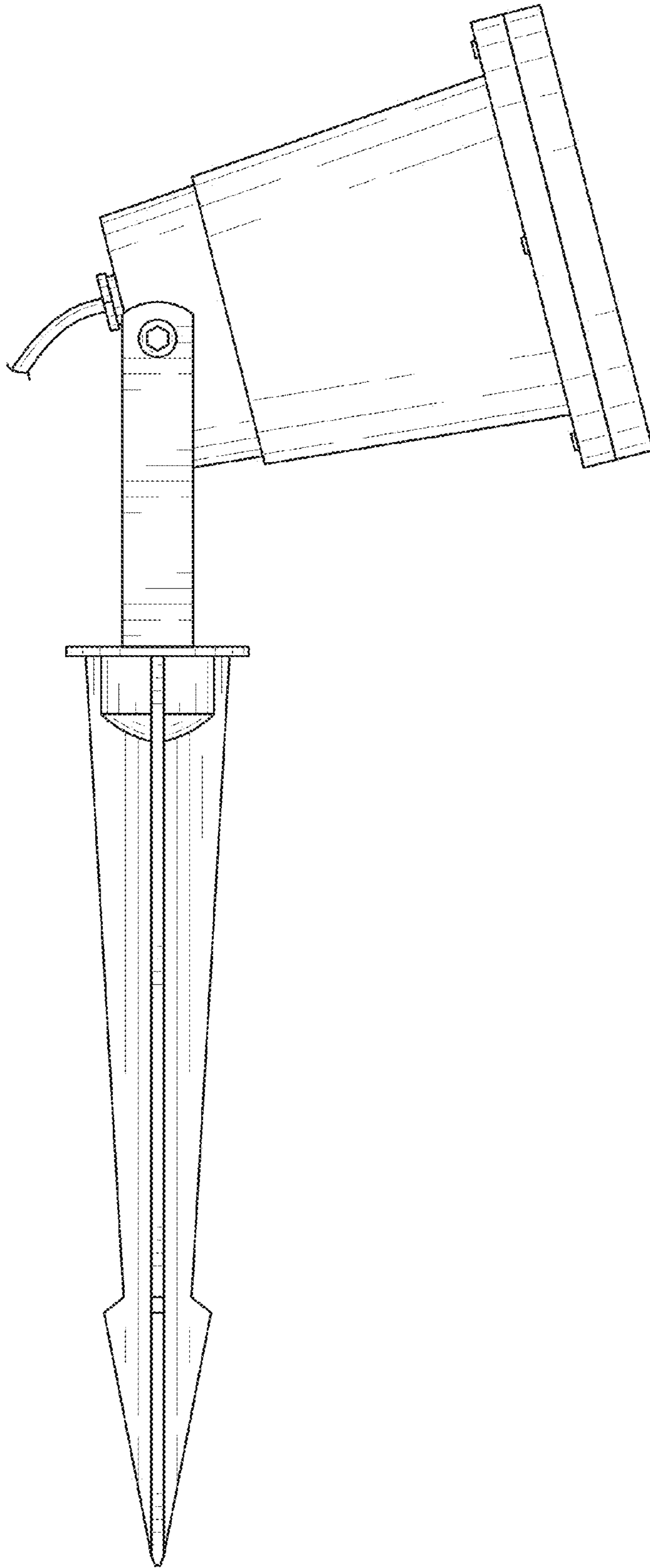


FIG. 4

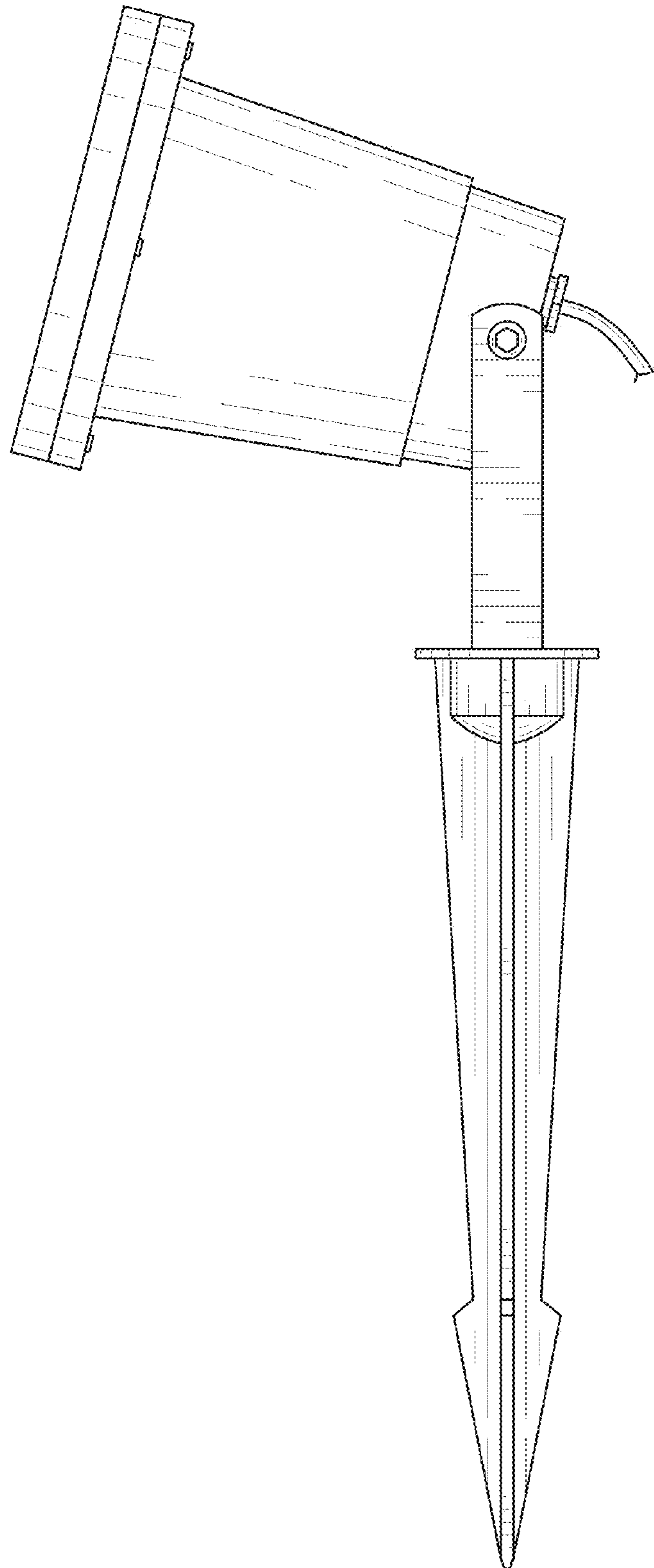


FIG. 5

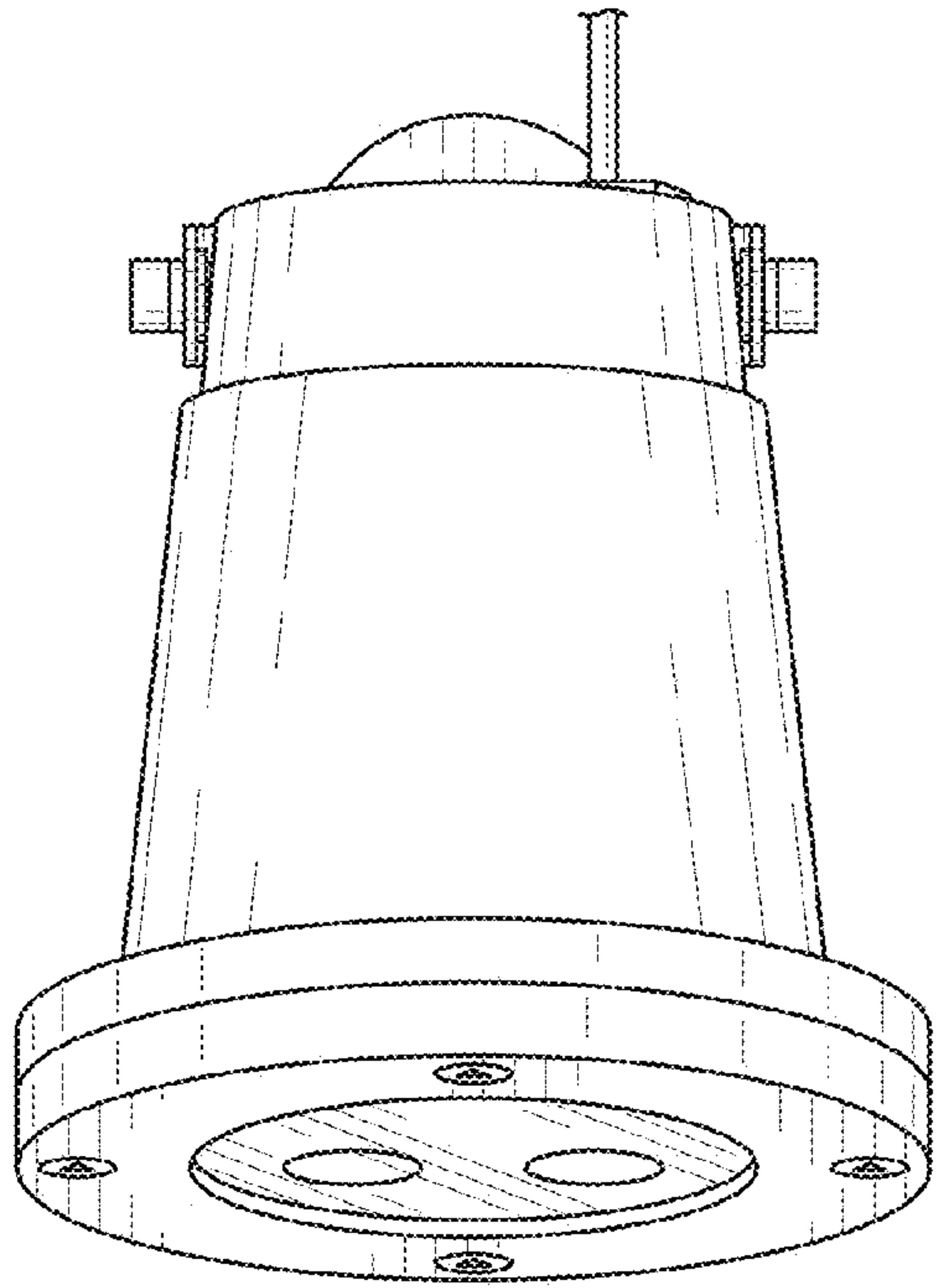


FIG. 6

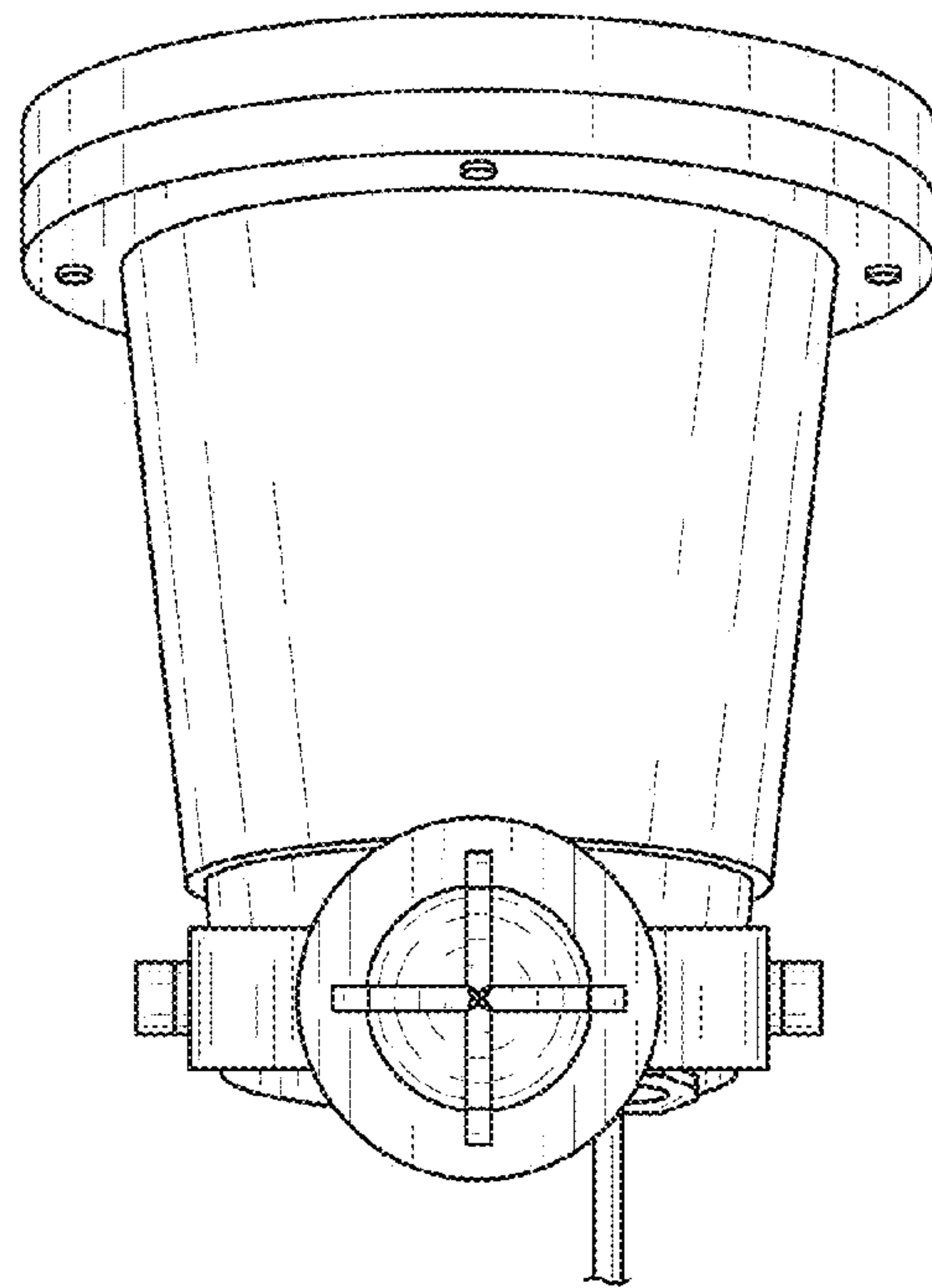


FIG. 7