



US00D773706S

(12) **United States Design Patent** (10) **Patent No.:** **US D773,706 S**
Ookawa et al. (45) **Date of Patent:** **** Dec. 6, 2016**

(54) **SENSOR LIGHT**

(71) Applicant: **Panasonic Intellectual Property Management Co., Ltd.**, Osaka-shi, Osaka (JP)

(72) Inventors: **Takayuki Ookawa**, Osaka (JP);
Takashi Hasegawa, Osaka (JP);
Tadahito Ishibashi, Kanagawa (JP)

(73) Assignee: **PANASONIC INTELLECTUAL PROPERTY MANAGEMENT CO., LTD.**, Osaka (JP)

(**) Term: **15 Years**

(21) Appl. No.: **29/539,950**

(22) Filed: **Sep. 18, 2015**

(51) **LOC (10) Cl.** **26-05**

(52) **U.S. Cl.**
USPC **D26/51**

(58) **Field of Classification Search**
USPC D26/37, 38, 40, 42, 44, 51, 52, 26, 61, D26/63; 362/157, 158, 183, 184, 194-196, 362/200-208, 253; D16/203; D14/168
CPC F21L 2003/00; F21L 4/00; F21L 4/005; F21L 4/02; F21L 4/025; F21L 4/027; F21L 4/04; F21L 4/08; G03B 1/00; G03B 7/00; G03B 13/02; G03B 13/04; G03B 13/1963; H04N 1/00; H04N 7/002; H04N 7/181
See application file for complete search history.

D362,816 S * 10/1995 Yuen D10/106.1
D418,236 S * 12/1999 Yuen D26/38
D426,328 S * 6/2000 Yuen D26/26
D441,386 S * 5/2001 Yamazaki D16/203
D545,471 S 6/2007 Guercio
D606,699 S * 12/2009 Wei D26/80
D648,471 S * 11/2011 Wauters D26/63
D649,573 S * 11/2011 Al D16/202
D652,549 S * 1/2012 Pineault D26/26
D668,283 S * 10/2012 Ohno D16/203
D670,843 S * 11/2012 von Waldthausen D26/37
D692,939 S * 11/2013 Huang D16/218
D694,797 S * 12/2013 Parker D16/202
D727,387 S 4/2015 Hasegawa et al.
D727,991 S 4/2015 Hasegawa et al.
D745,589 S * 12/2015 Lee D16/218
D756,011 S * 5/2016 Nojima D16/219
D757,835 S * 5/2016 Tabuchi D16/203

* cited by examiner

Primary Examiner — Lakiya Rogers
Assistant Examiner — Carissa C Fitts
(74) *Attorney, Agent, or Firm* — Brinks Gilson & Lione

(57) **CLAIM**

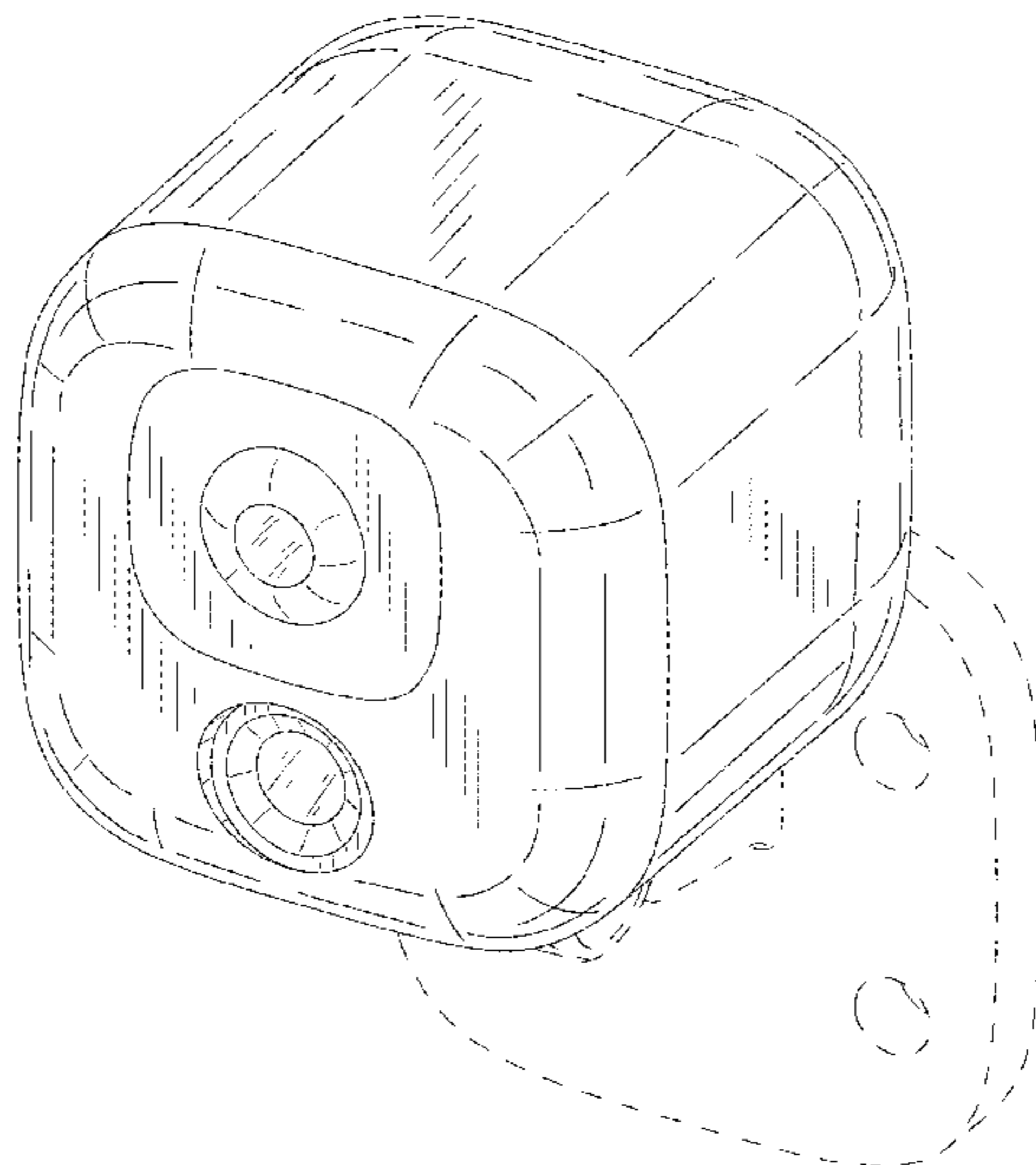
We claim the ornamental design for a sensor light, as shown and described.

DESCRIPTION

FIG. 1 is a front and top perspective view of a sensor light of the present invention;
FIG. 2 is a rear and top perspective view thereof;
FIG. 3 is a front view thereof;
FIG. 4 is a rear view thereof;
FIG. 5 is a first side view thereof;
FIG. 6 is a second side view thereof;
FIG. 7 is a top view thereof; and,
FIG. 8 is a bottom view thereof.
The broken lines shown represent unclaimed subject matter and form no part of the claimed design.

1 Claim, 8 Drawing Sheets

(56) **References Cited**
U.S. PATENT DOCUMENTS
D283,925 S 5/1986 Sangiamo et al.
D287,408 S * 12/1986 Gaines D26/26
D356,177 S * 3/1995 Yuen D26/104



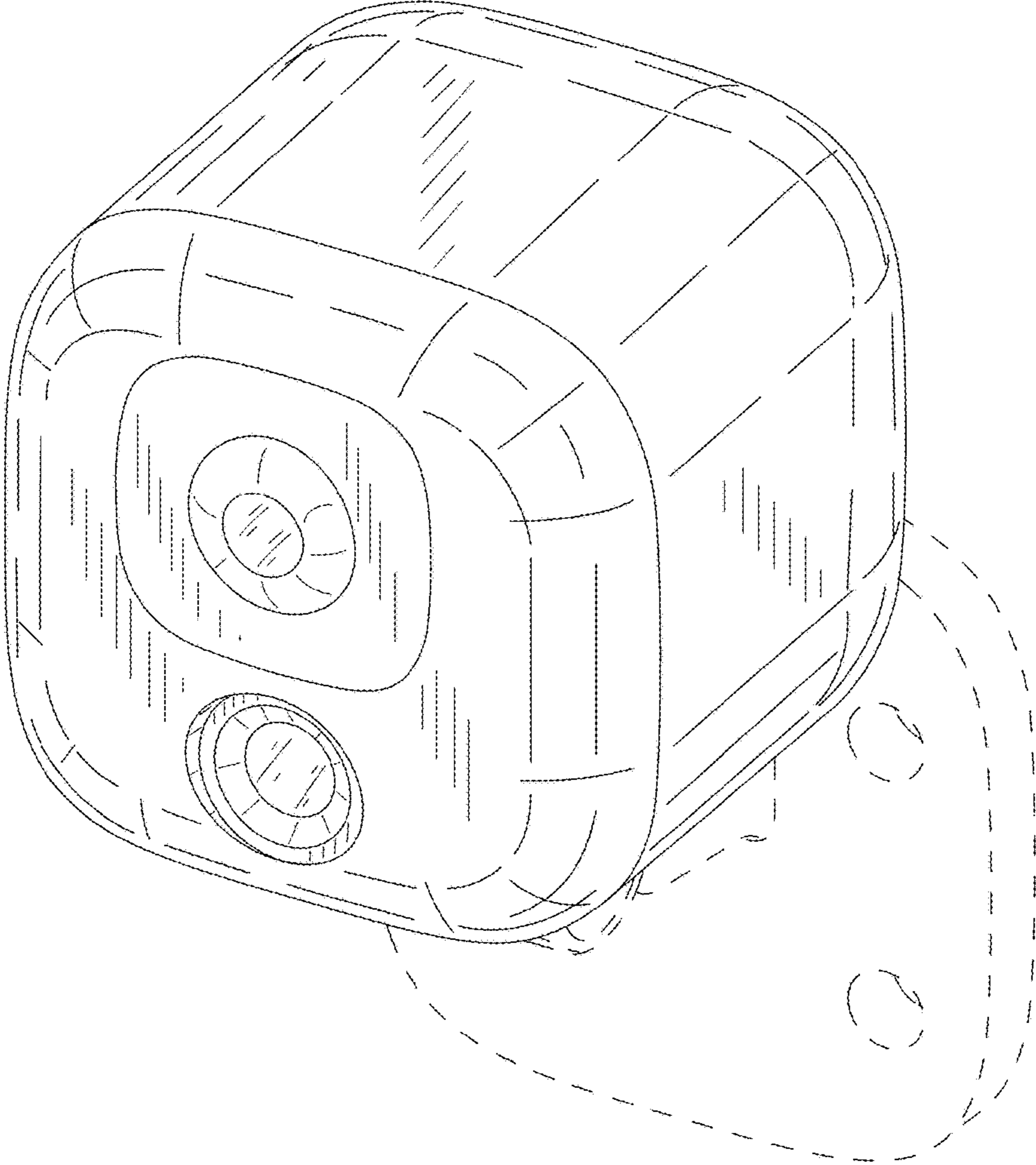


FIG. 1

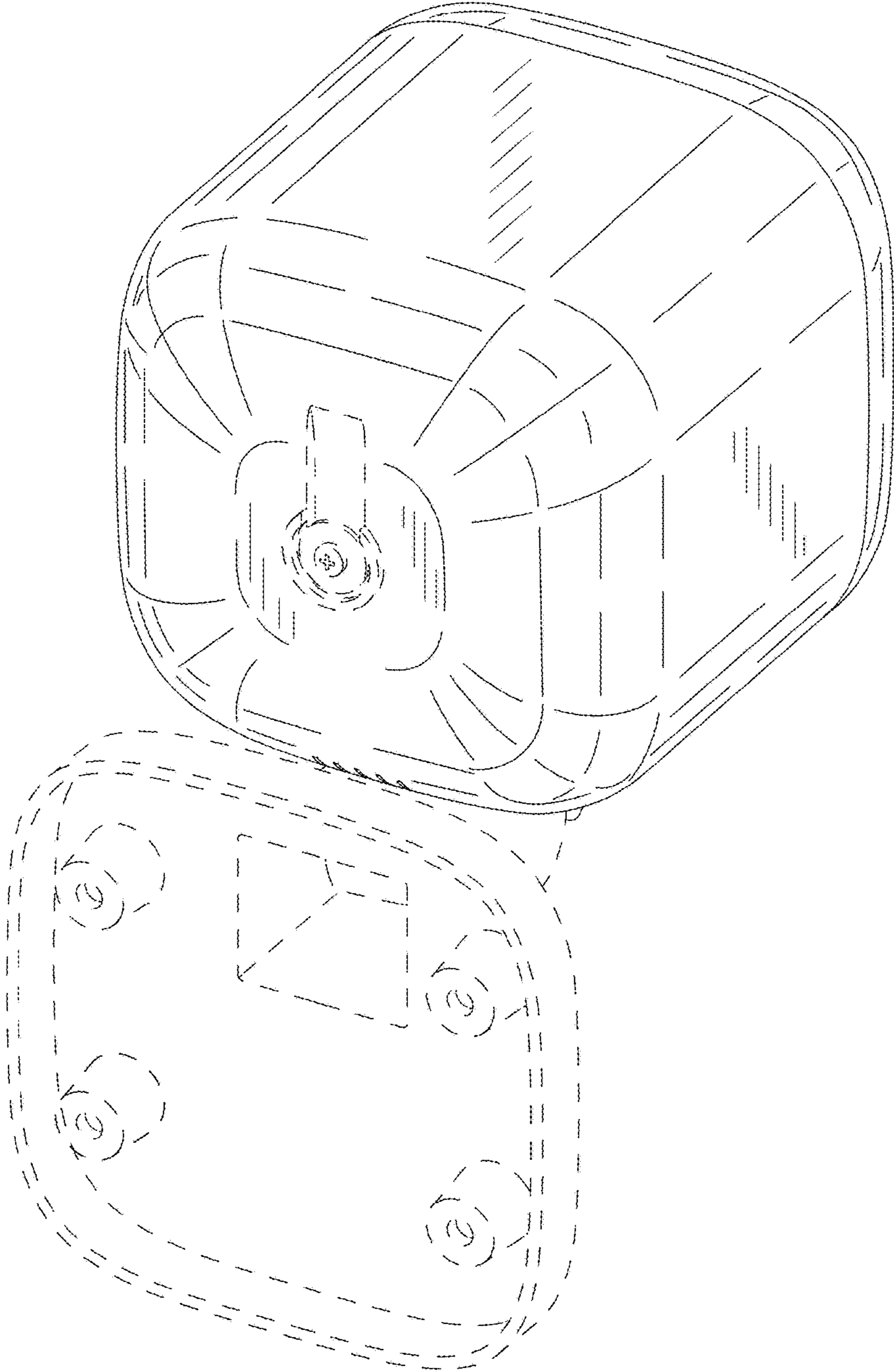


FIG. 2

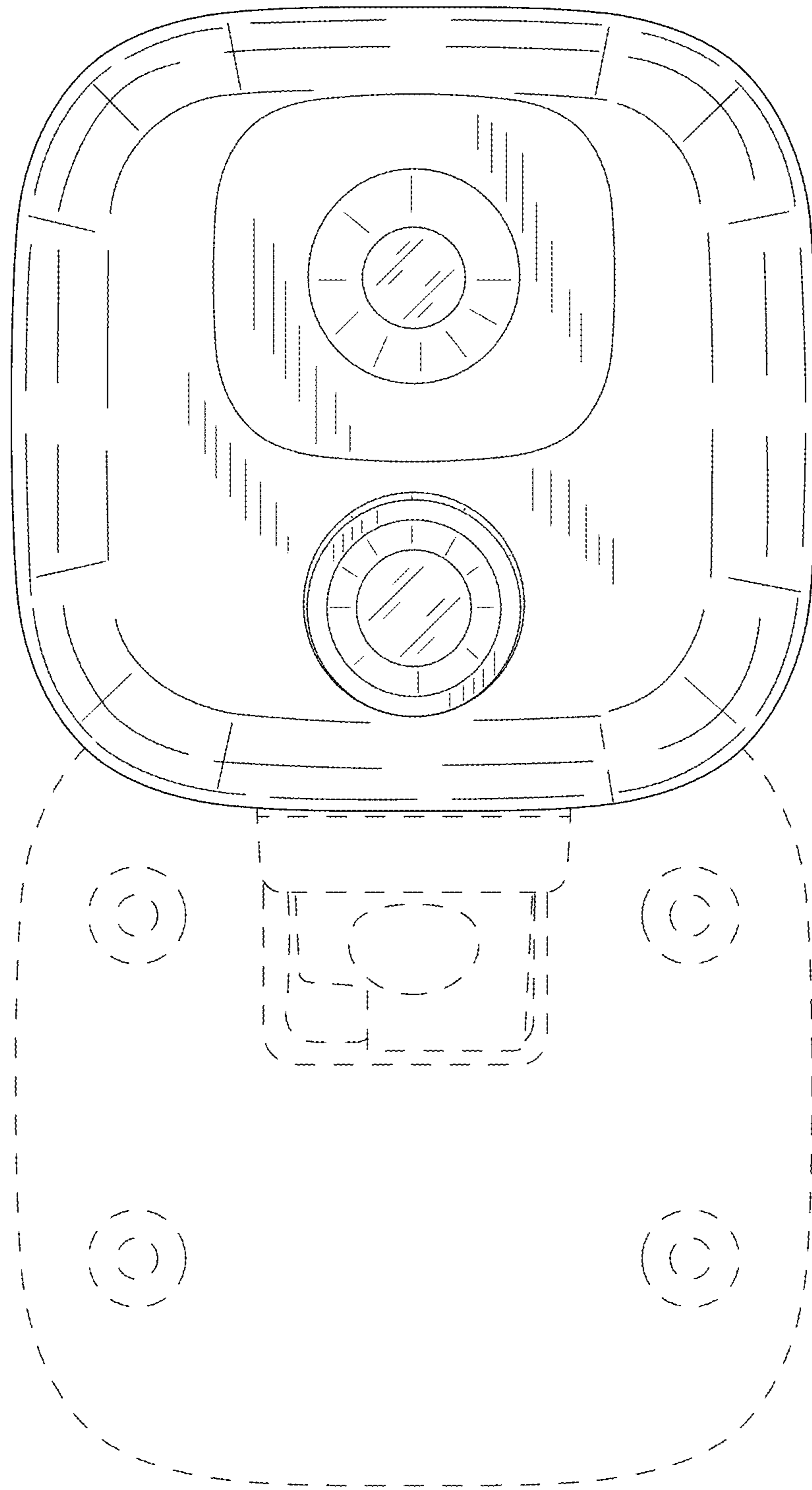


FIG. 3

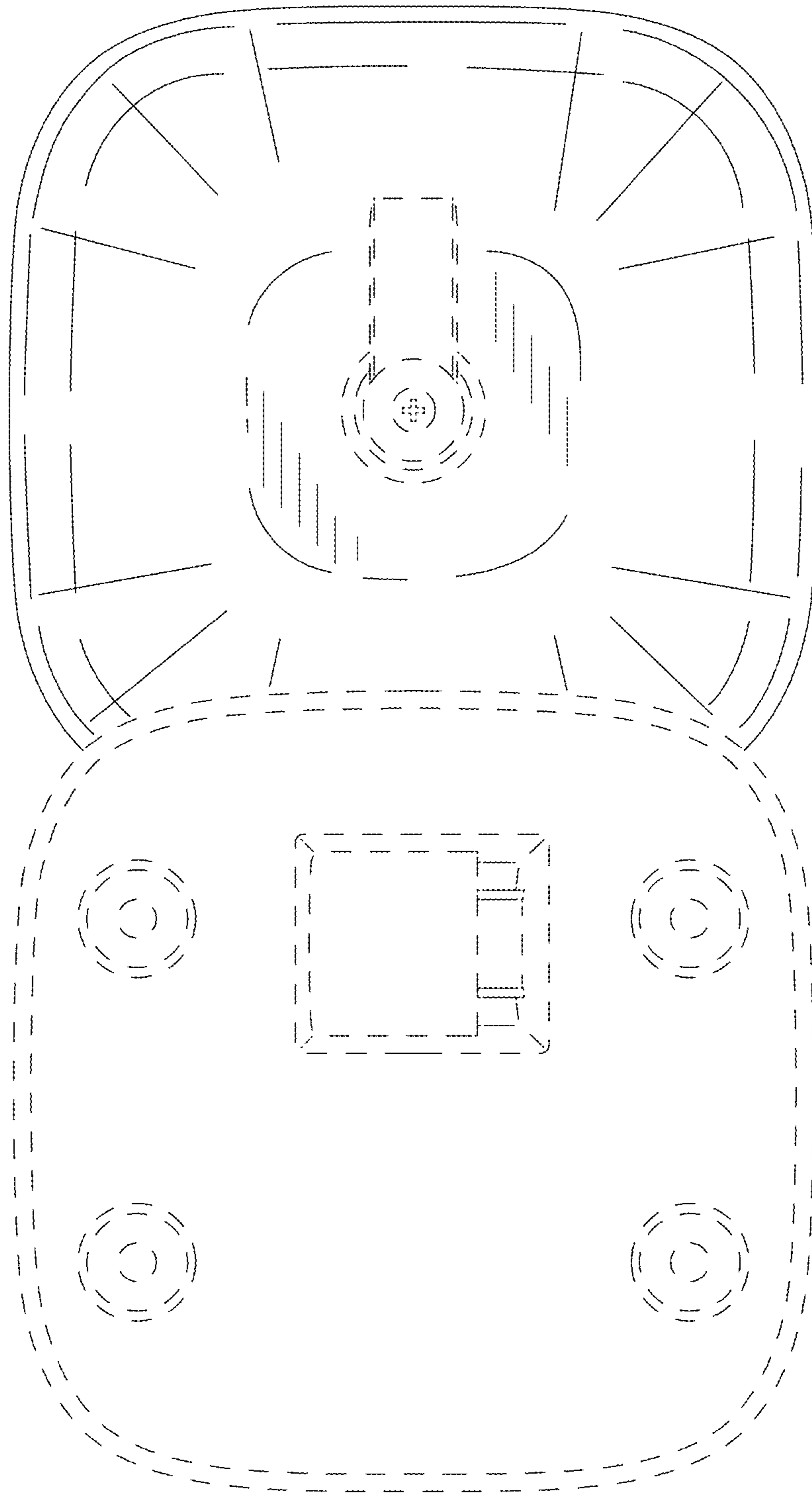


FIG. 4

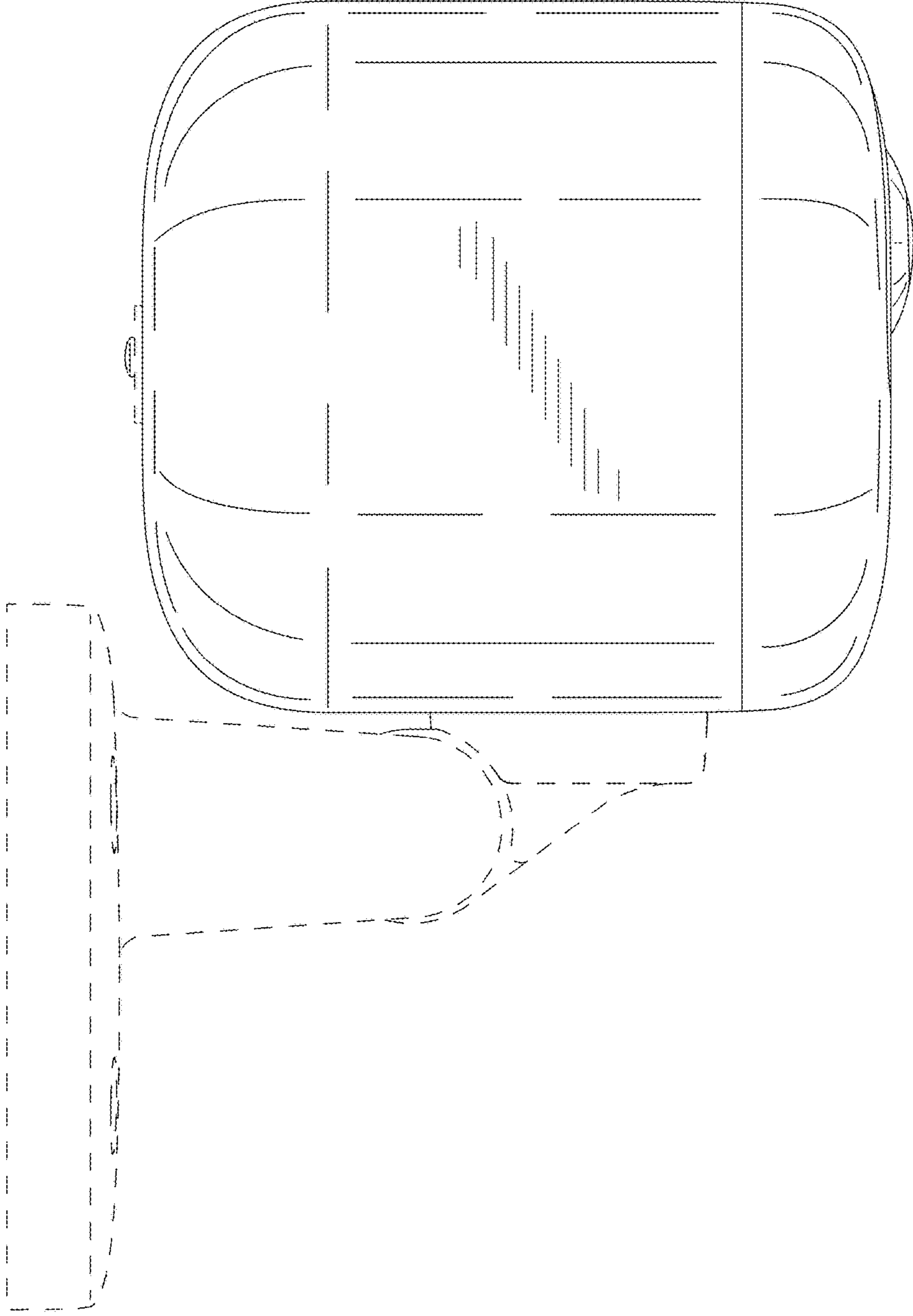


FIG. 5

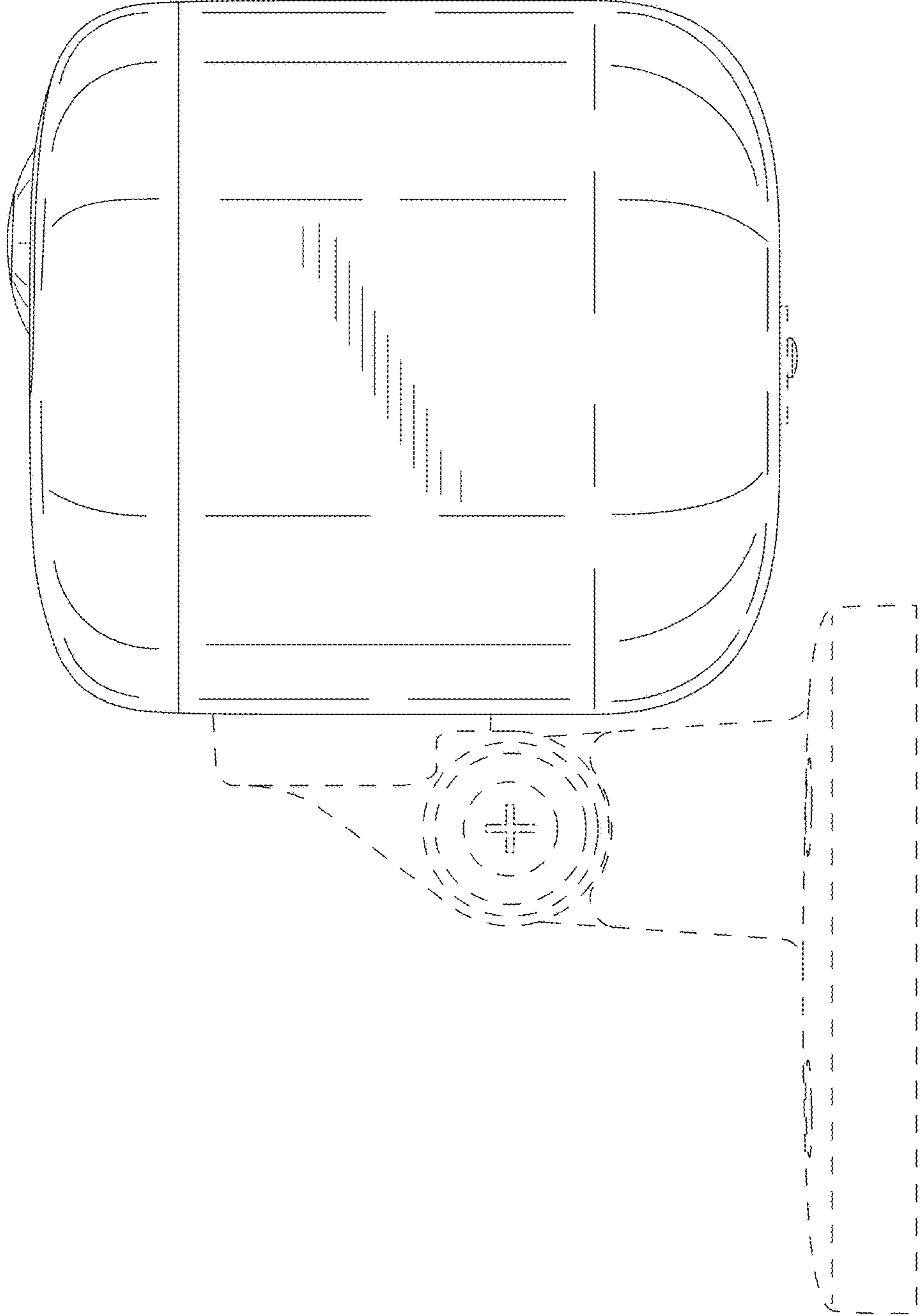


FIG. 6

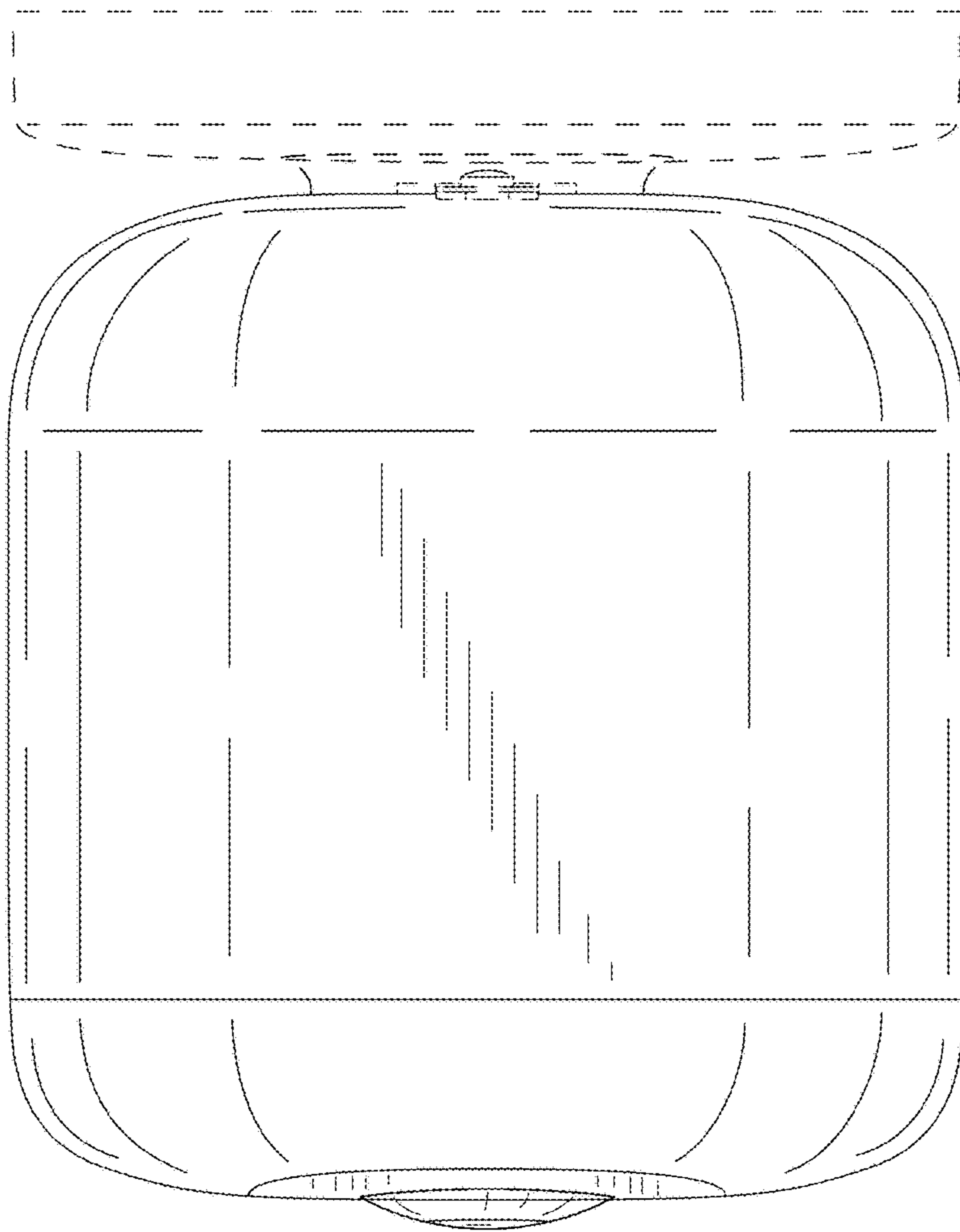


FIG. 7

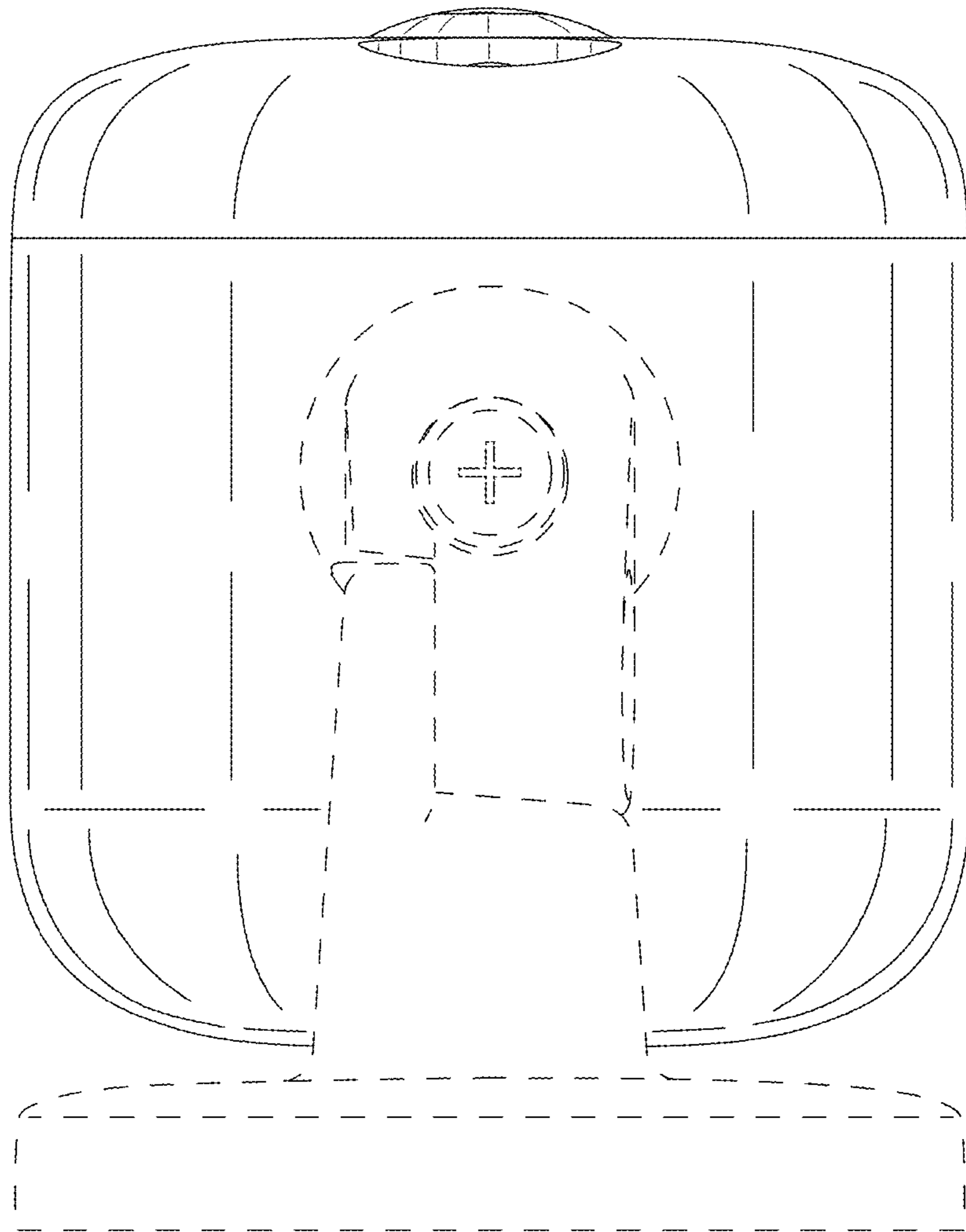


FIG. 8