



US00D773703S

(12) **United States Design Patent** (10) **Patent No.:** **US D773,703 S**
Krantz et al. (45) **Date of Patent:** **** Dec. 6, 2016**

(54) **RECONFIGURABLE LANTERN DEVICE**

(71) Applicant: **Goal Zero LLC**, Bluffdale, UT (US)

(72) Inventors: **Norman L. Krantz**, Draper, UT (US);
Henry J. Howell, Herriman, UT (US)

(73) Assignee: **GOAL ZERO LLC**, Bluffdale, UT (US)

(**) Term: **14 Years**

(21) Appl. No.: **29/513,752**

(22) Filed: **Jan. 5, 2015**

(51) **LOC (10) Cl.** **26-02**

(52) **U.S. Cl.**
USPC **D26/40**

(58) **Field of Classification Search**
USPC D26/37, 38, 40, 41, 46, 50, 51, 32,
92,D26/96, 12, 9, 11; 362/157, 158,
171-174, 183, 362/184, 194-196,
202-208, 253, 249.1
CPC F21L 2003/00; F21L 4/00; F21L 4/005;
F21L 4/02; F21L 4/025; F21L
4/027; F21L 4/04; F21L 4/08; F21L
2005/00; F21L 7/00; F21L 11/00; F21L
13/00; F21L 13/04; F21L 13/08; F21L
14/02; F21L 17/00; F21L 19/00
See application file for complete search history.

(56) **References Cited**

U.S. PATENT DOCUMENTS

D322,489 S	*	12/1991	Parker	D26/104
D407,512 S	*	3/1999	Yuen	D26/41
D486,931 S	*	2/2004	Lee	D26/38
D519,658 S	*	4/2006	Izardel	D10/111
D576,756 S	*	9/2008	DeBrunner	D26/40
D605,321 S	*	12/2009	Schupp	D26/40
D605,337 S	*	12/2009	Zhang	D26/93
D617,480 S	*	6/2010	DeBrunner	D26/40
D646,412 S	*	10/2011	Taiga	D26/41

(Continued)

Primary Examiner — Ian Simmons

Assistant Examiner — Carissa C Fitts

(74) *Attorney, Agent, or Firm* — Foley & Lardner LLP

(57) **CLAIM**

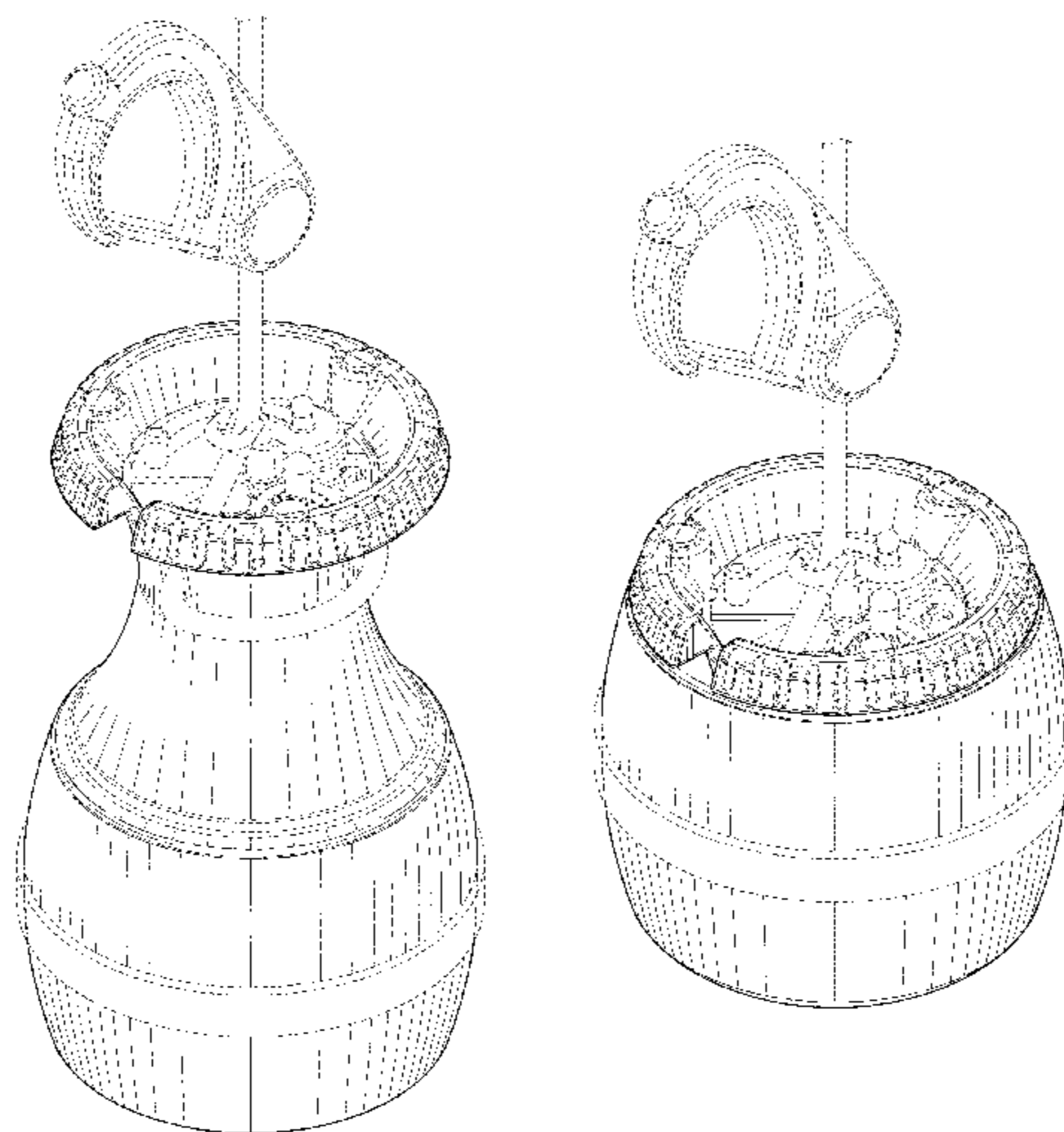
We claim the ornamental design for a reconfigurable lantern device, as shown and described.

DESCRIPTION

FIG. 1 is a front perspective view of the claimed design;
 FIG. 2 is a front view thereof;
 FIG. 3 is a rear view thereof;
 FIG. 4 is a right side view thereof;
 FIG. 5 is a left side view thereof;
 FIG. 6 is a top view thereof;
 FIG. 7 is a bottom view thereof;
 FIG. 8 is a front perspective view thereof in an alternate configuration;
 FIG. 9 is a front view thereof in an alternate configuration;
 FIG. 10 is a rear view thereof in an alternate configuration;
 FIG. 11 is a right side view thereof in an alternate configuration;
 FIG. 12 is a left side view thereof in an alternate configuration;
 FIG. 13 is a top view of thereof in an alternate configuration;
 and,
 FIG. 14 is a bottom view thereof in an alternate configuration.

The ornamental design which is claimed is shown in solid lines in the figures. Broken lines formed by equal length dashes show unclaimed portions of the design. Broken lines formed of unequal length dashes (i.e., dash-dot) show boundaries between claimed and unclaimed portions of the design. Broken break lines having a jagged element show that no particular length of the portion is claimed. The broken lines form no part of the claimed design.

1 Claim, 12 Drawing Sheets



(56)

References Cited

U.S. PATENT DOCUMENTS

D646,443 S *	10/2011	Cook	D26/37
D650,105 S *	12/2011	Crawford	D26/41
D656,664 S *	3/2012	Son	D26/118
D667,577 S *	9/2012	Wu	D26/49
8,434,894 B2	5/2013	Workman et al.	
D711,572 S *	8/2014	Kwon	D26/37
D726,357 S *	4/2015	Walczak	D26/40
D738,553 S *	9/2015	Fletcher	D26/41
D744,680 S *	12/2015	Ma	D26/41

* cited by examiner

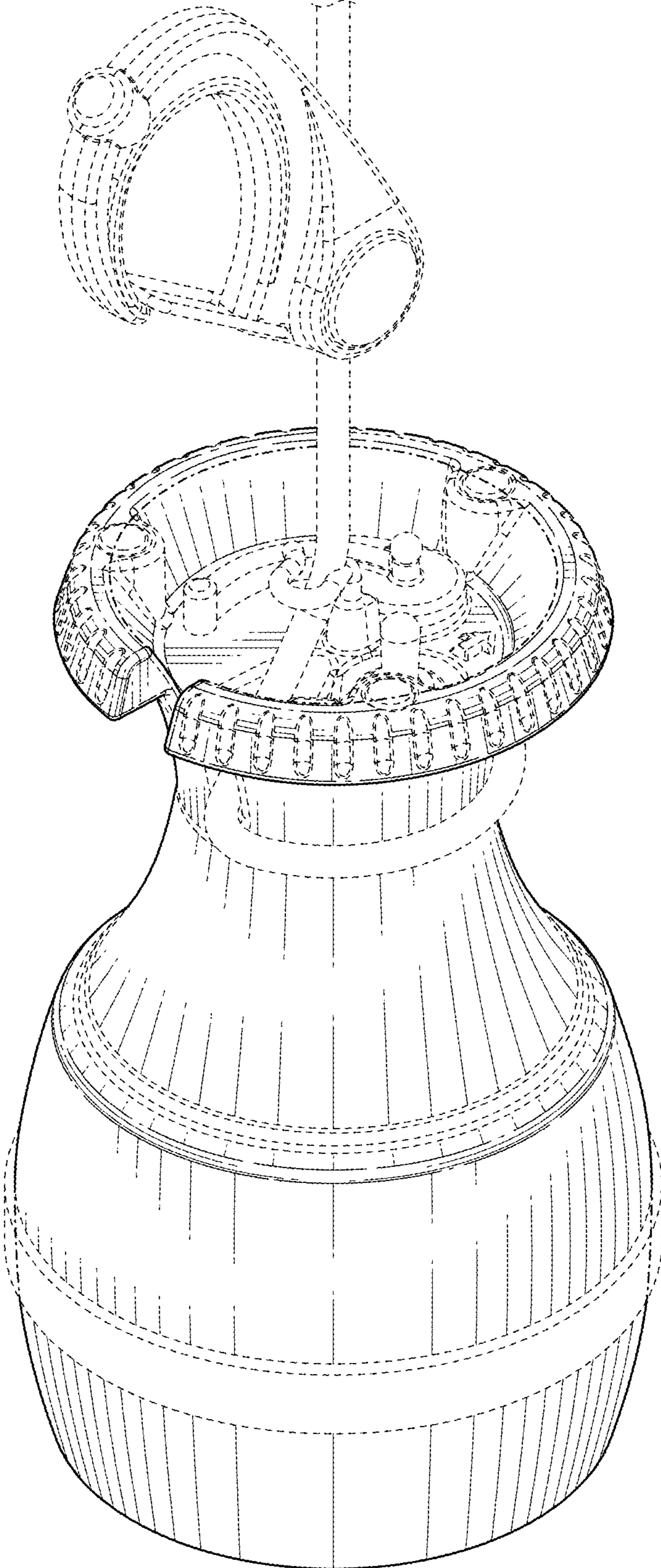


FIG. 1

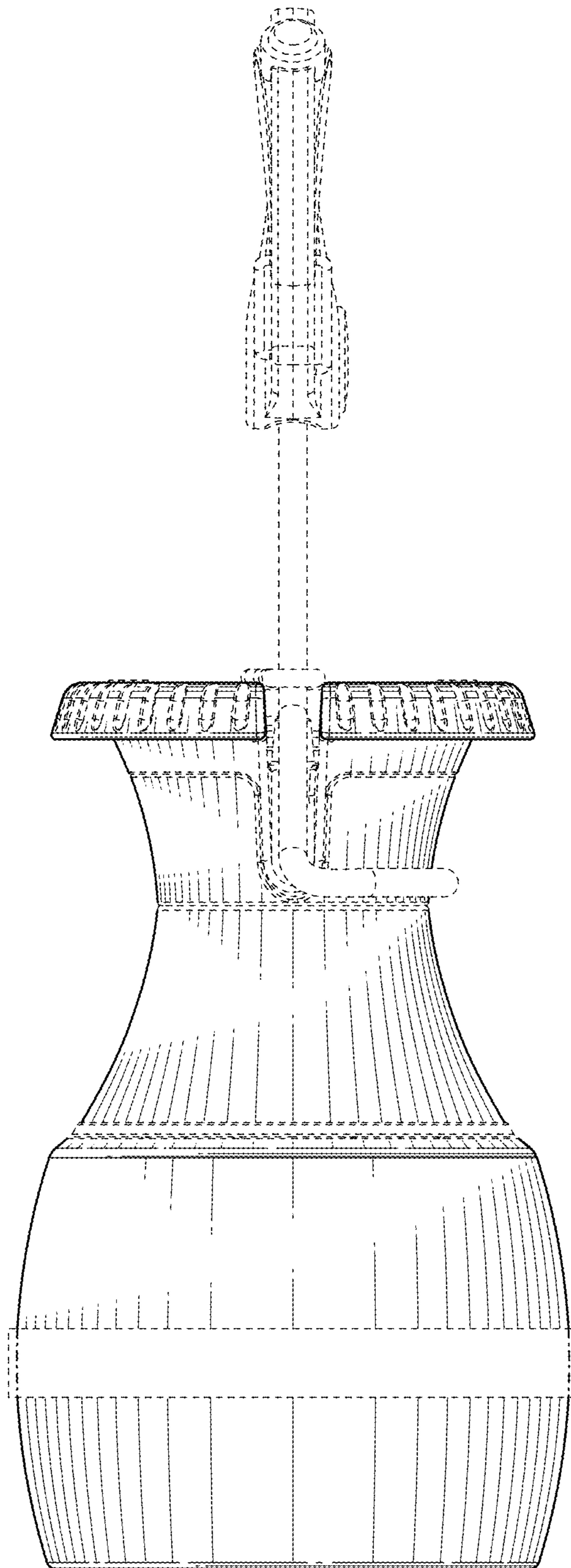


FIG. 2

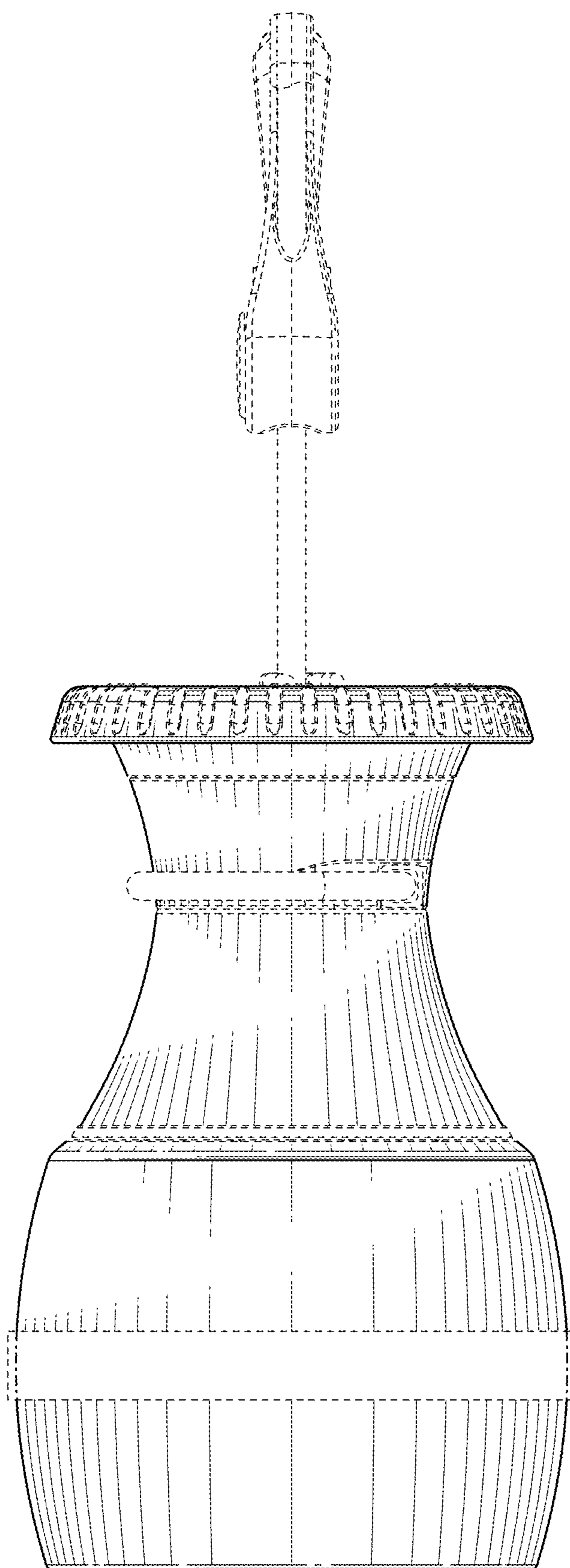


FIG. 3

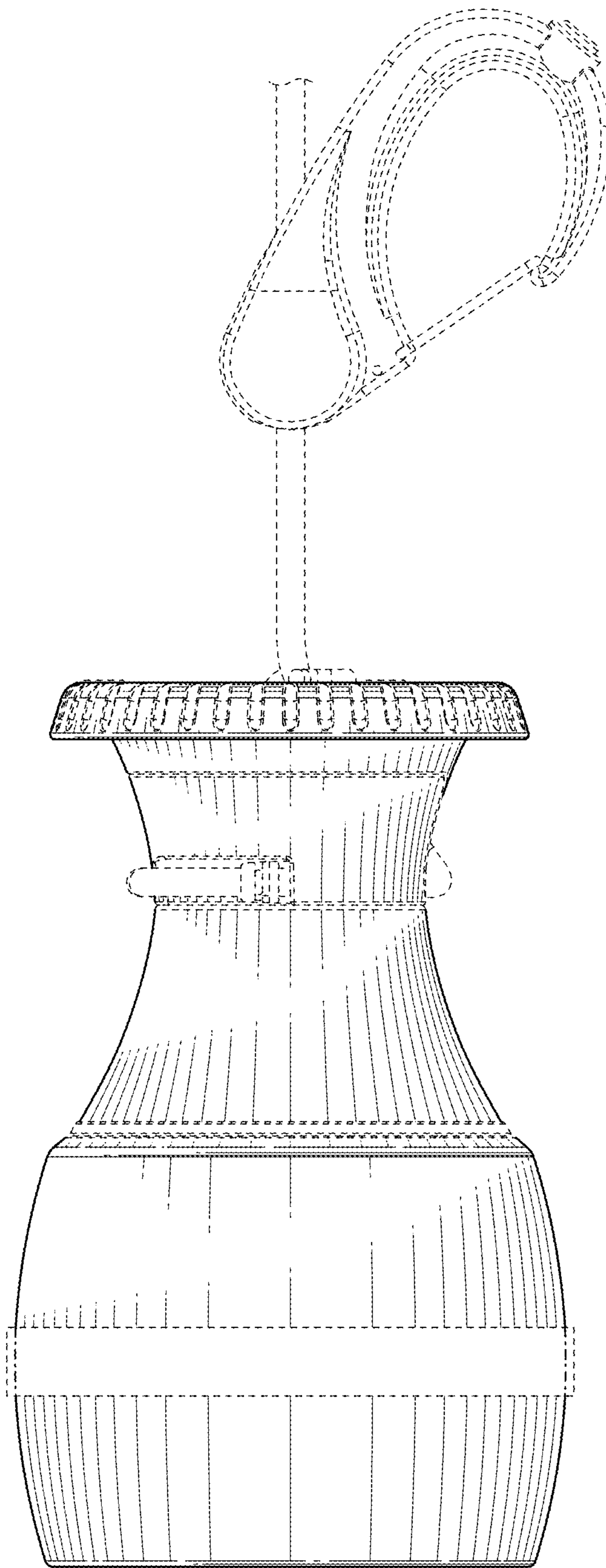


FIG. 4

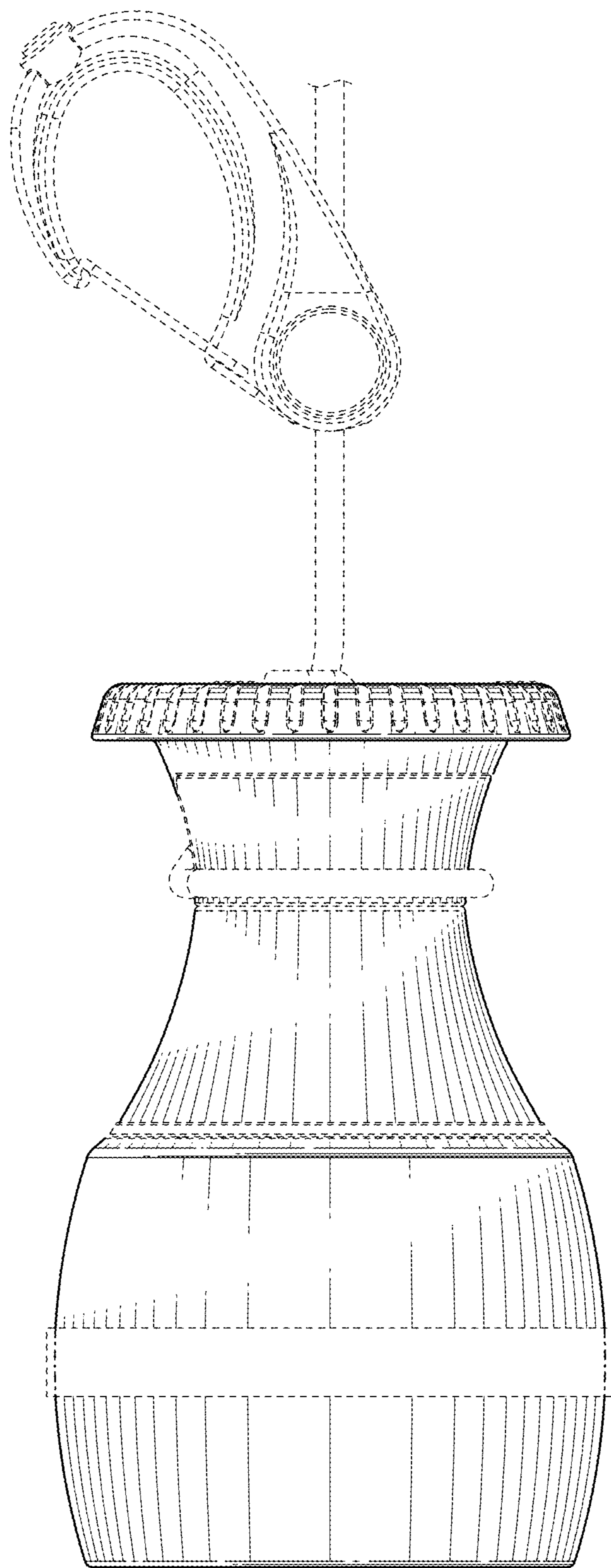


FIG. 5

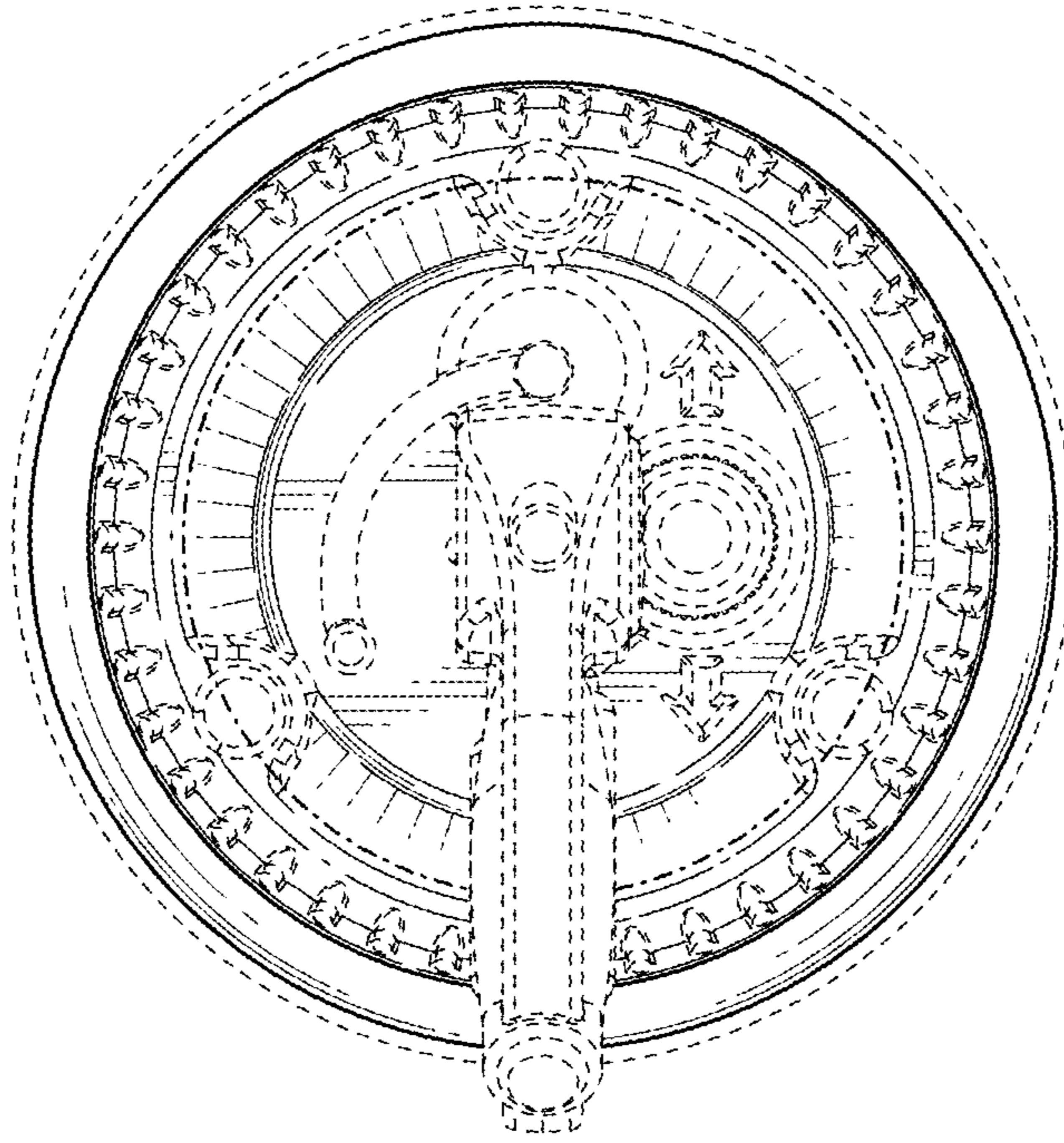


FIG. 6

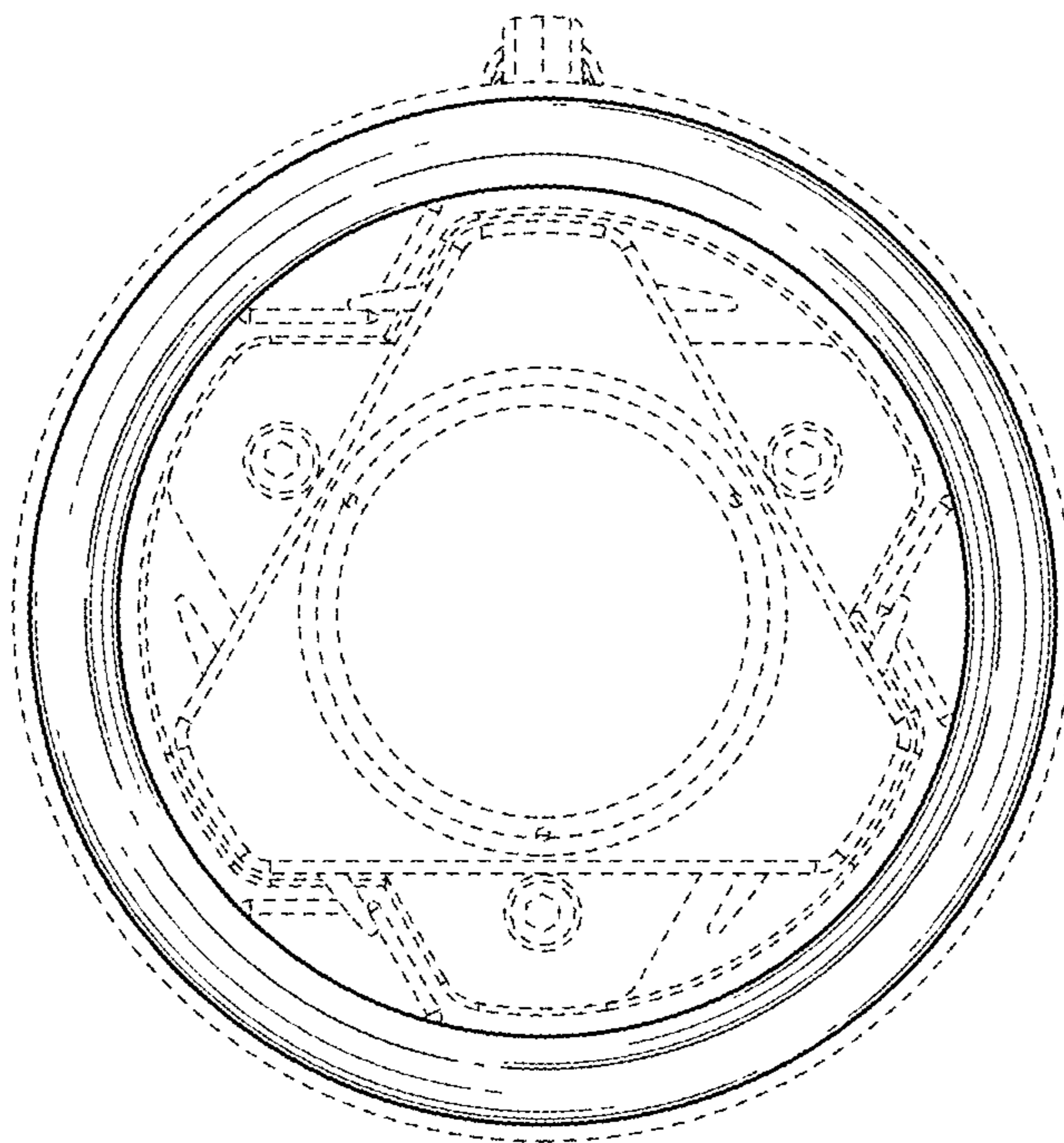


FIG. 7

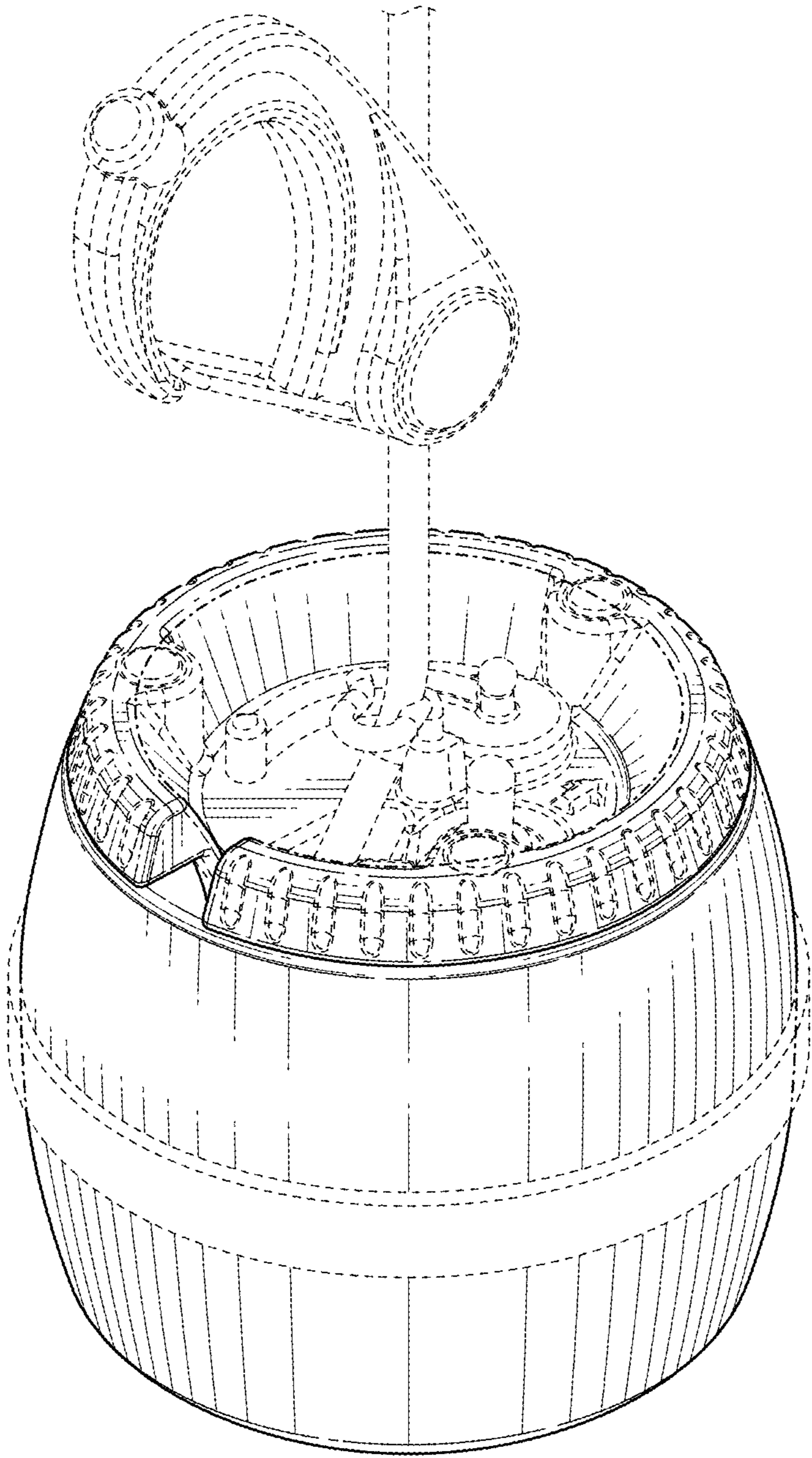


FIG. 8

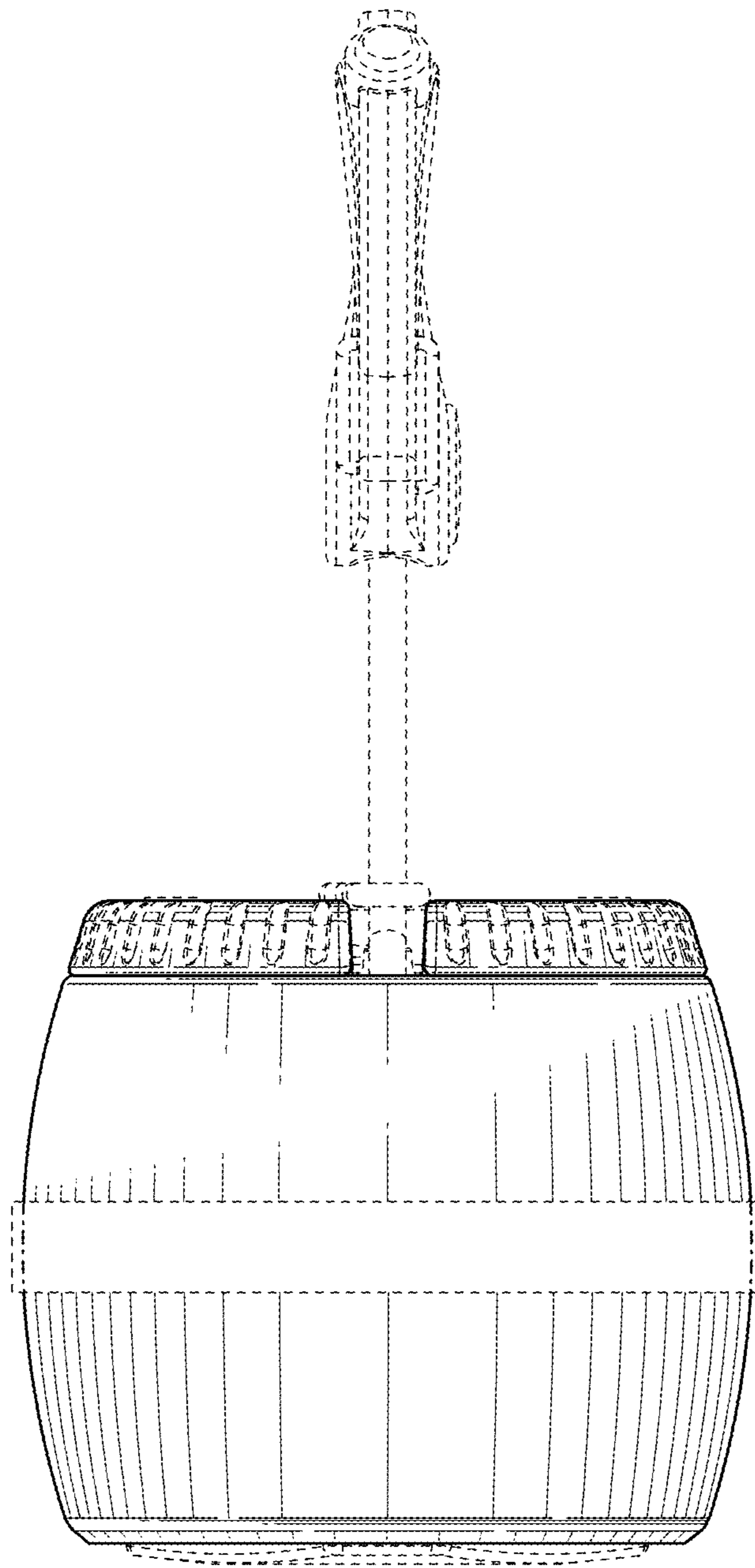


FIG. 9

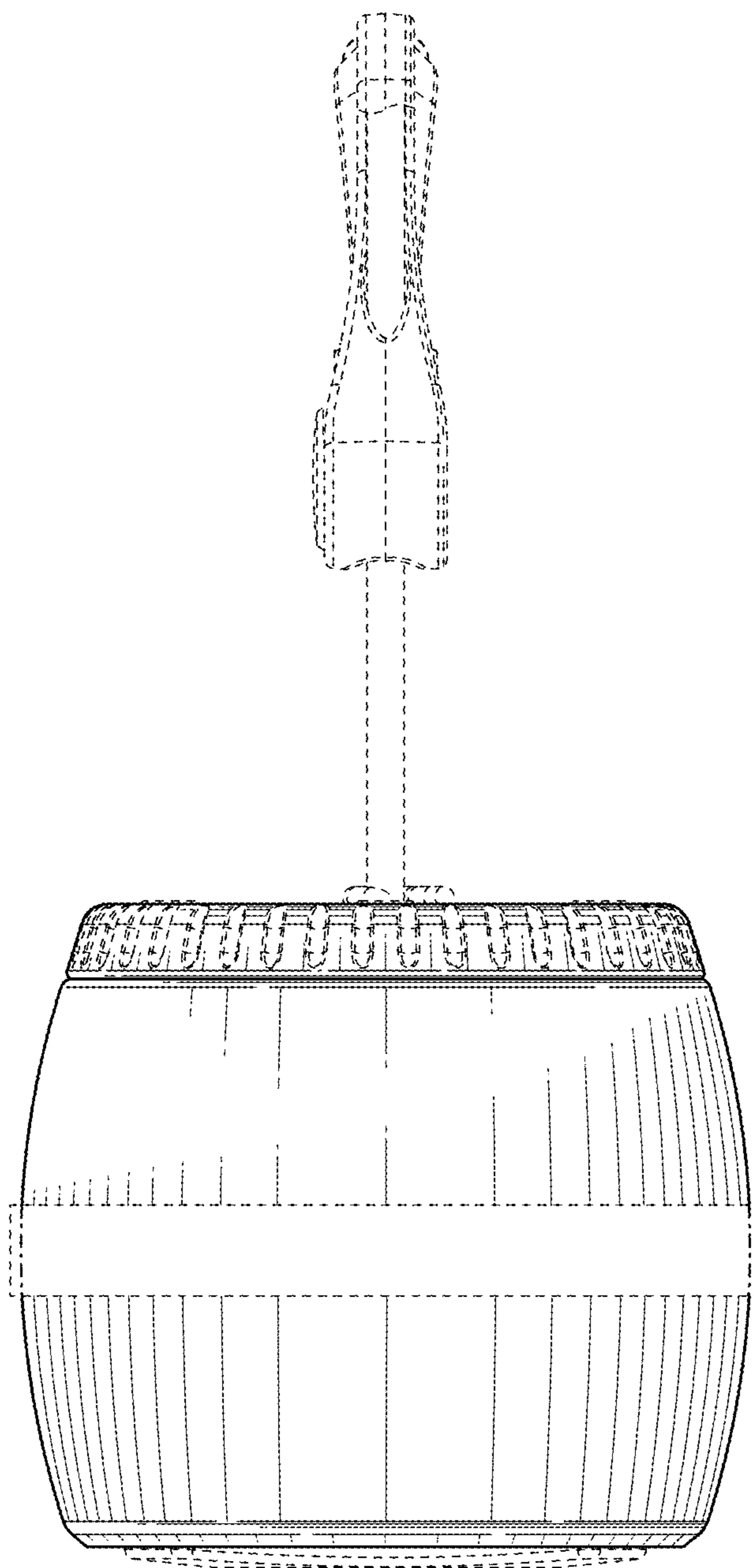


FIG. 10

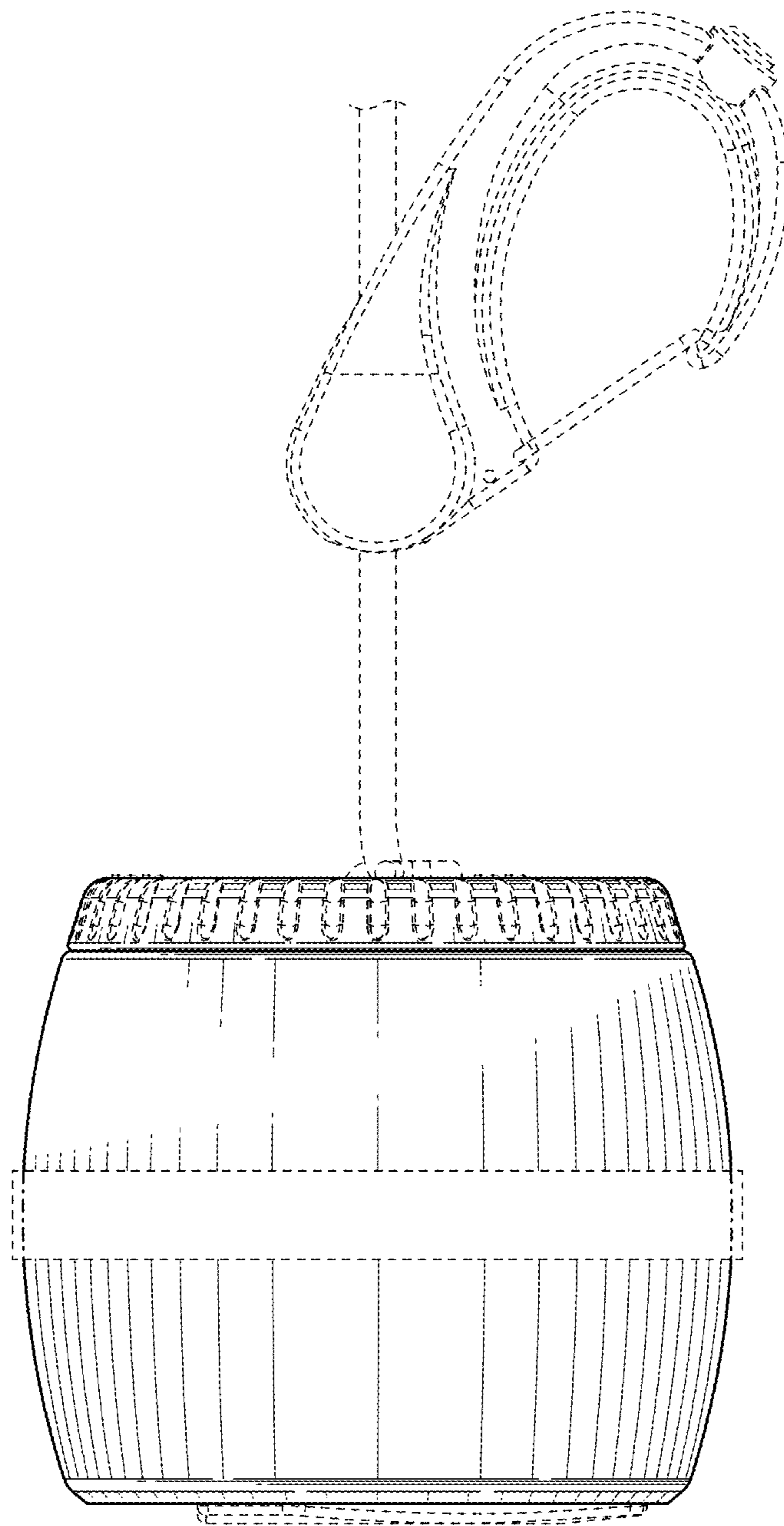


FIG. 11

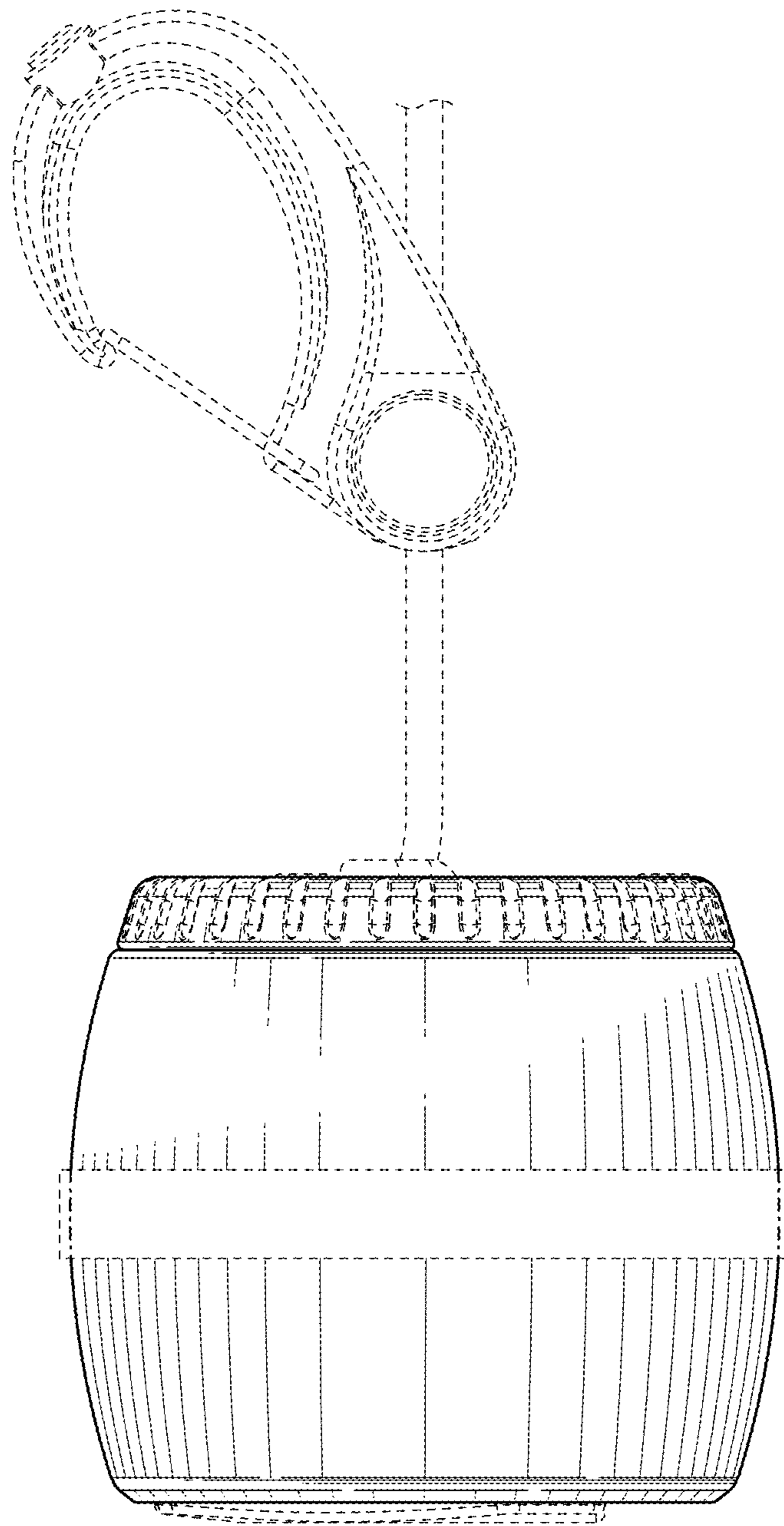


FIG. 12

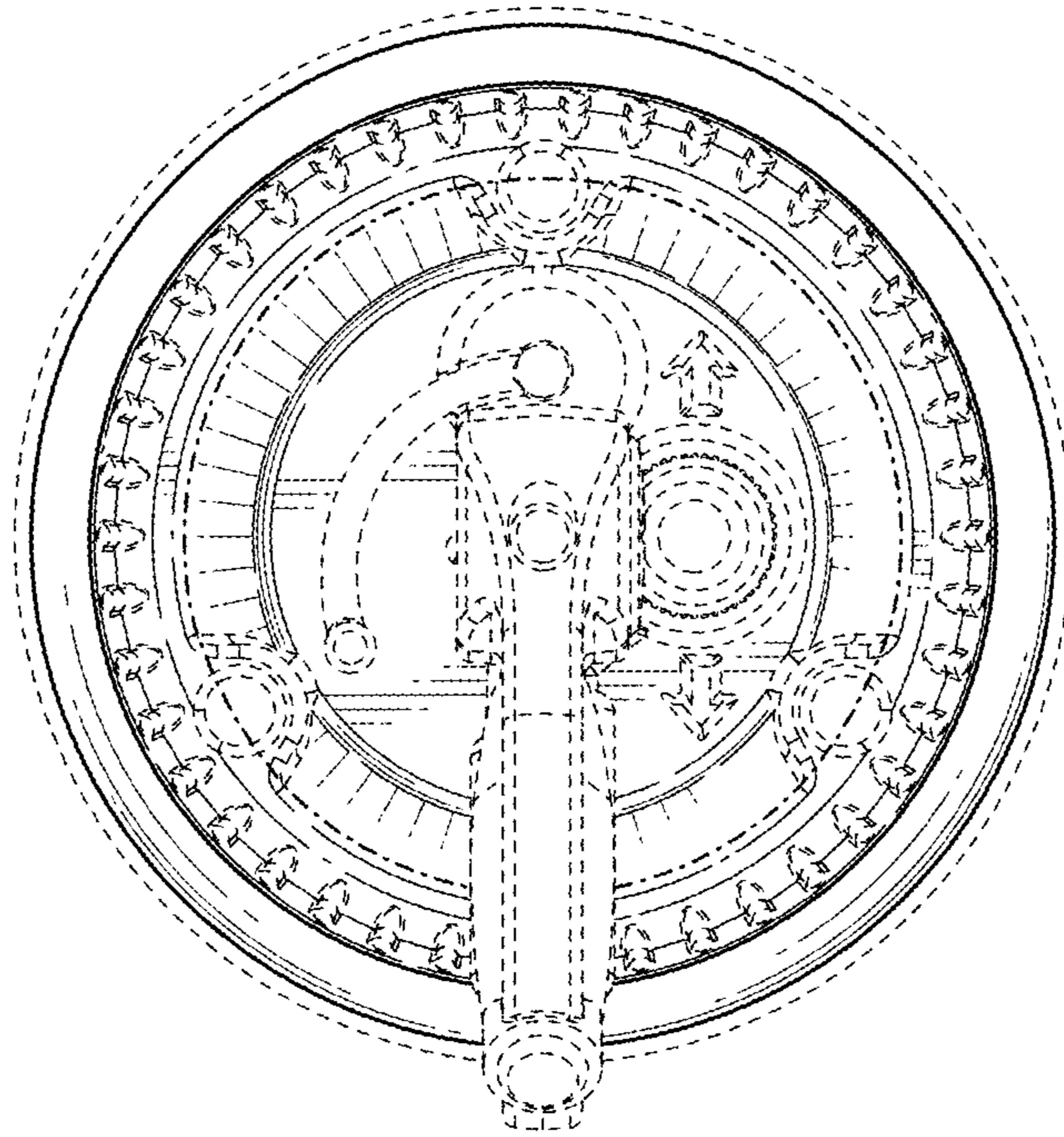


FIG. 13

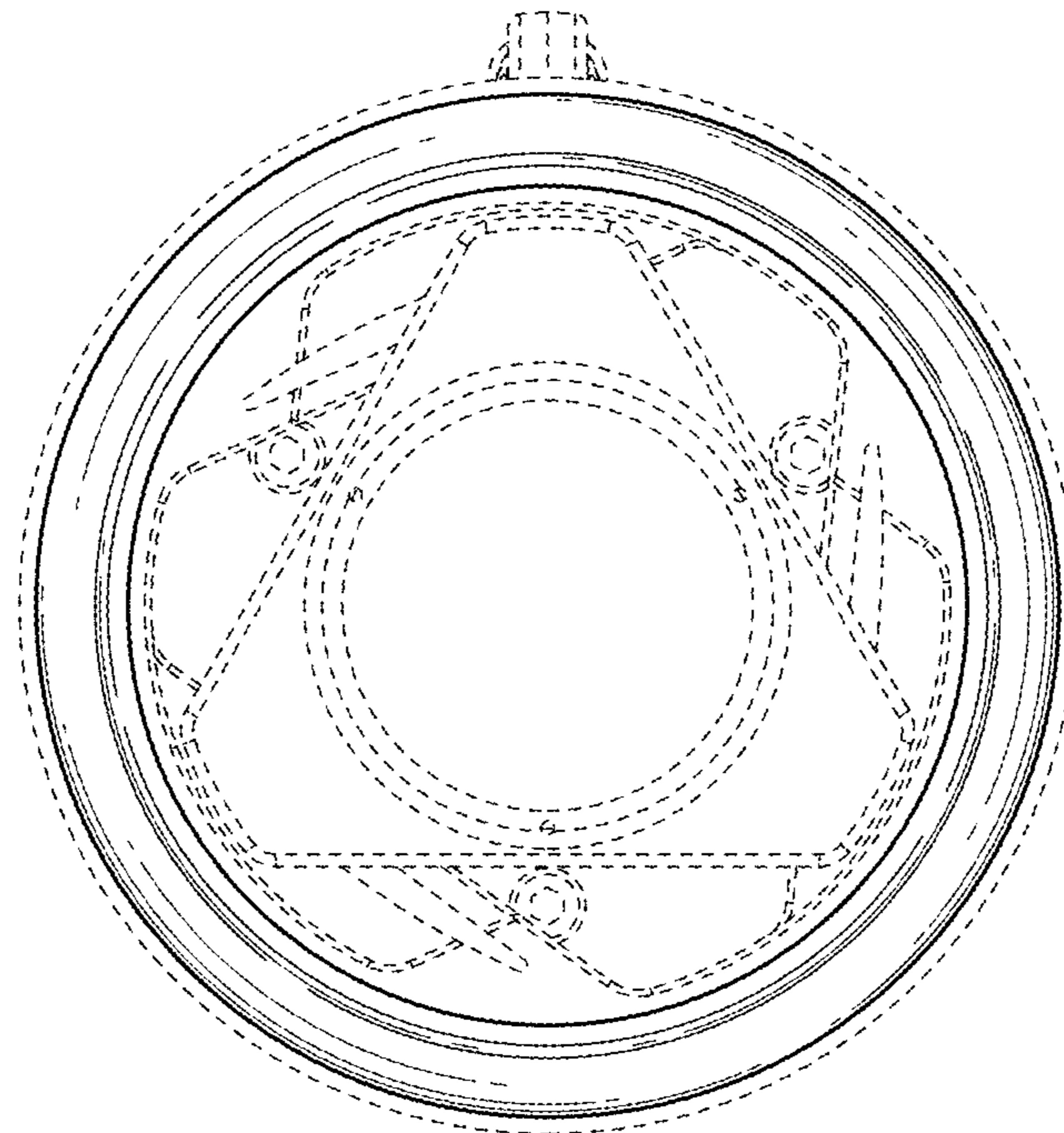


FIG. 14