



US00D773702S

(12) **United States Design Patent** (10) **Patent No.:** **US D773,702 S**
Noguchi (45) **Date of Patent:** **** Dec. 6, 2016**

(54) **REAR COMBINATION LAMP FOR AN AUTOMOBILE**

(71) Applicant: **Nissan Motor Co., Ltd.**, Yokohama, Kanagawa (JP)

(72) Inventor: **Takashi Noguchi**, Kanagawa (JP)

(73) Assignee: **Nissan Motor Co., Ltd.**, Yokohama (JP)

(**) Term: **15 Years**

(21) Appl. No.: **29/545,121**

(22) Filed: **Nov. 10, 2015**

(30) **Foreign Application Priority Data**

May 12, 2015 (JP) 2015-010292

(51) **LOC (10) Cl.** **26-06**

(52) **U.S. Cl.**
USPC **D26/28**

(58) **Field of Classification Search**
USPC D26/28-36; 362/80-83, 267-269, 362/459-468, 475-478, 485-487

(Continued)

(56) **References Cited**

U.S. PATENT DOCUMENTS

D552,769 S * 10/2007 Leclercq D26/28
D620,157 S * 7/2010 Frenzel D26/28

(Continued)

FOREIGN PATENT DOCUMENTS

JP 1417523 S 6/2011
JP 1403157 S 12/2011

(Continued)

Primary Examiner — Marcus Jackson

(74) *Attorney, Agent, or Firm* — Global IP Counselors, LLP

(57) **CLAIM**

The ornamental design for a rear combination lamp for an automobile, as shown and described.

DESCRIPTION

FIG. 1 is a front elevational view of a rear combination lamp for an automobile in accordance with a first embodiment of our new design;

FIG. 2 is a rear elevational view of the rear combination lamp in accordance with the first embodiment of our new design of FIG. 1;

FIG. 3 is a top plan view of the rear combination lamp in accordance with the first embodiment of our new design of FIGS. 1 and 2;

FIG. 4 is a bottom plan view of the rear combination lamp in accordance with the first embodiment of our new design of FIGS. 1 to 3;

FIG. 5 is a right side elevational view of the rear combination lamp in accordance with the first embodiment of our new design of FIGS. 1 to 4;

FIG. 6 is a left side elevational view of the rear combination lamp in accordance with the first embodiment of our new design of FIGS. 1 to 5; and,

FIG. 7 is a front side perspective view of the rear combination lamp in accordance with the first embodiment of our new design of FIGS. 1 to 6.

The rear elevational view of FIG. 2 and the left side elevational view of FIG. 6 form no part of the claimed design. In addition, the rear combination lamp is configured to be mounted to an automobile. The mounting structure and support structure of the rear combination lamp, visible in FIGS. 2 to 7, form no part of the claimed design since the mounting structure and support structure are hidden when the rear combination lamp is mounted to the automobile.

In addition, the appearance of the rear side structures of the rear combination lamp as seen in FIGS. 2 to 7 is for purpose of illustrating the boundaries of the exterior surface of the rear combination lamp, and forms no part of the claimed design.

(Continued)



US D773,702 S

Page 2

A second embodiment of our new design is identical to the first embodiment. The second embodiment of our new design includes the mirror image of the rear combination lamp shown in FIGS. 1 to 7.

1 Claim, 7 Drawing Sheets

(58) Field of Classification Search

CPC F21S 48/00; F21S 48/10; F21S 48/115;
F21S 48/225; F21S 48/1233; F21S
48/1266; F21S 48/1388; F21S 48/2268;
F21V 21/04

See application file for complete search history.

(56) References Cited

U.S. PATENT DOCUMENTS

D670,842 S 11/2012 Fuchigami et al.
D680,249 S 4/2013 Iwai et al.

D684,715 S 6/2013 Cogswell
D686,358 S * 7/2013 Morgenstern D26/28
D696,445 S 12/2013 Ishizuka et al.
D701,983 S * 4/2014 Kong D26/28
D728,132 S * 4/2015 Bieling D26/28
D728,137 S * 4/2015 Ha D26/28
D743,063 S * 11/2015 Park D26/28
D748,303 S * 1/2016 Sato D26/28

FOREIGN PATENT DOCUMENTS

JP 1419130 S 7/2012
JP 1445386 S 7/2012
JP 1461953 S 2/2013
JP 1474625 S 7/2013
JP 1500453 S 6/2014
JP 1501952 S 7/2014
JP 1502133 S 7/2014
JP 1491259 S 2/2015
JP 1501254 S 6/2015
JP 1526535 S 6/2015

* cited by examiner

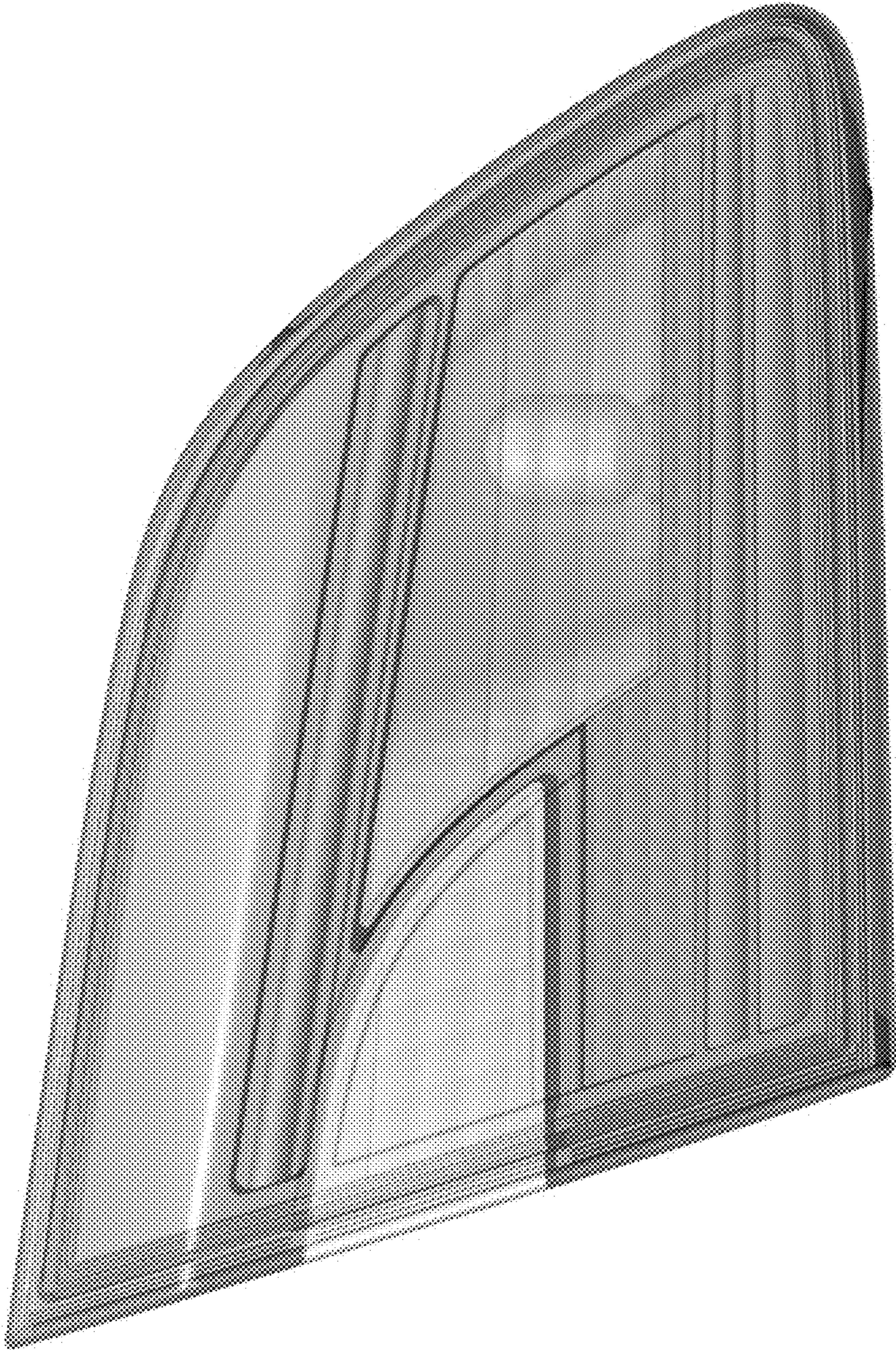


FIG. 1

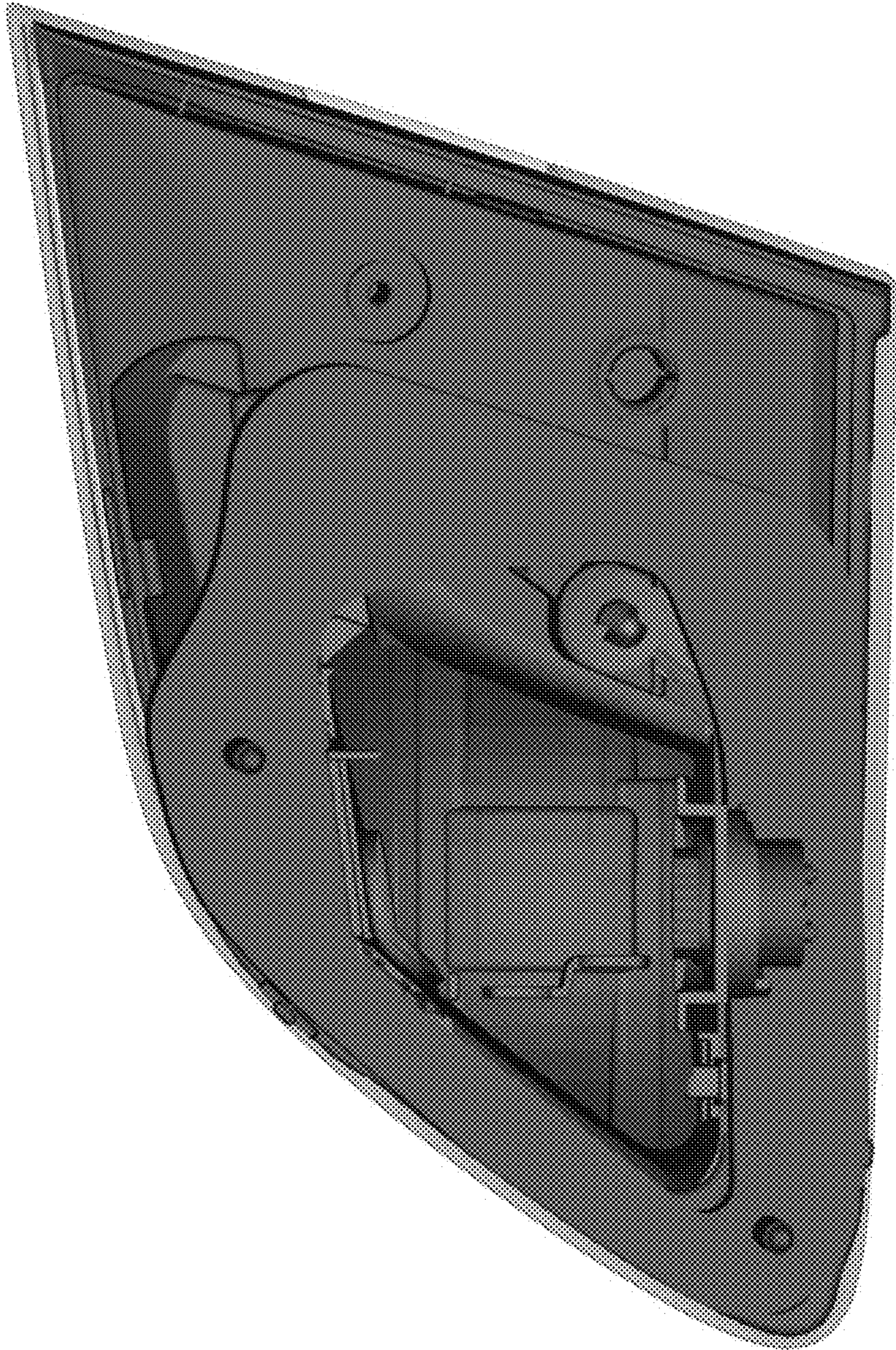


FIG. 2

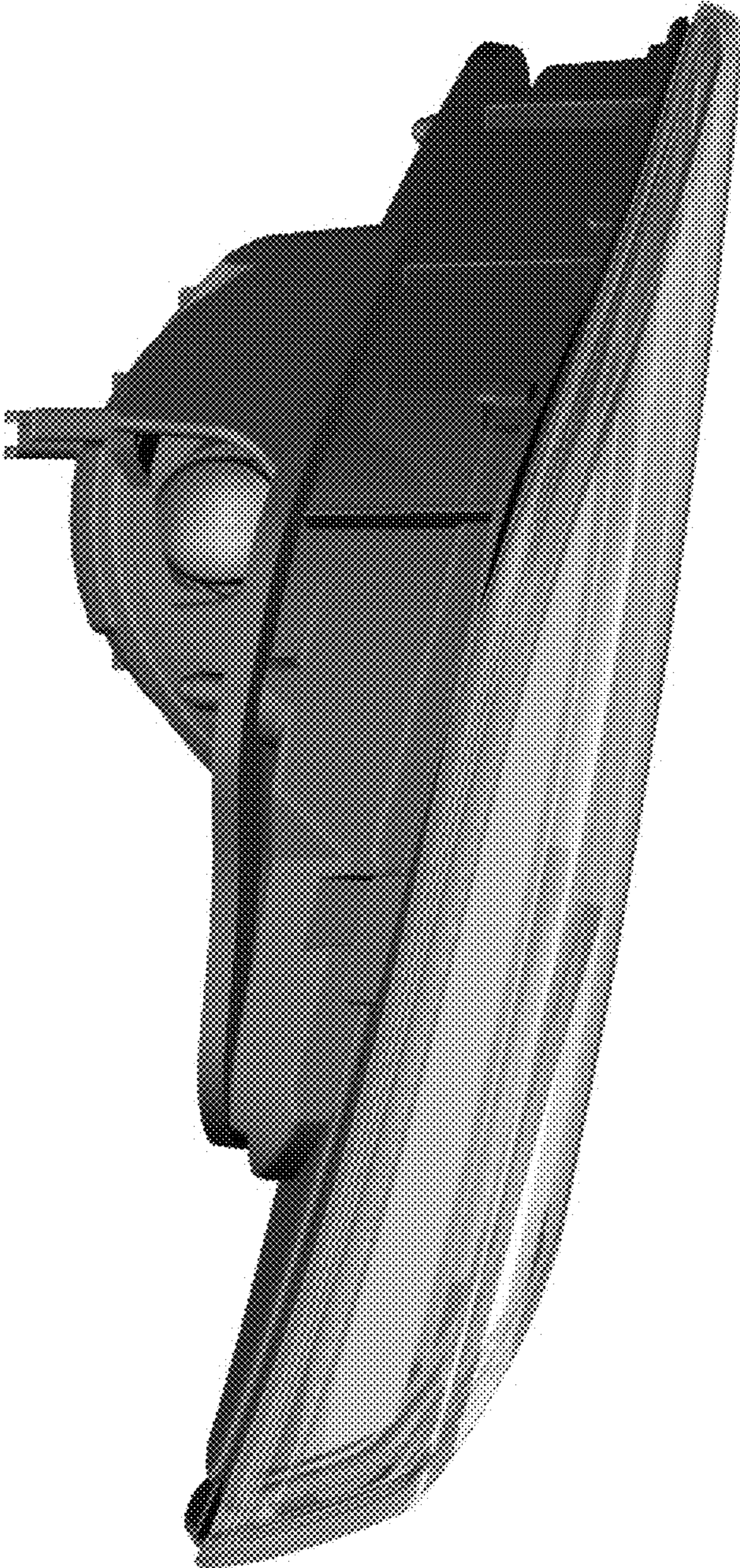


FIG. 3

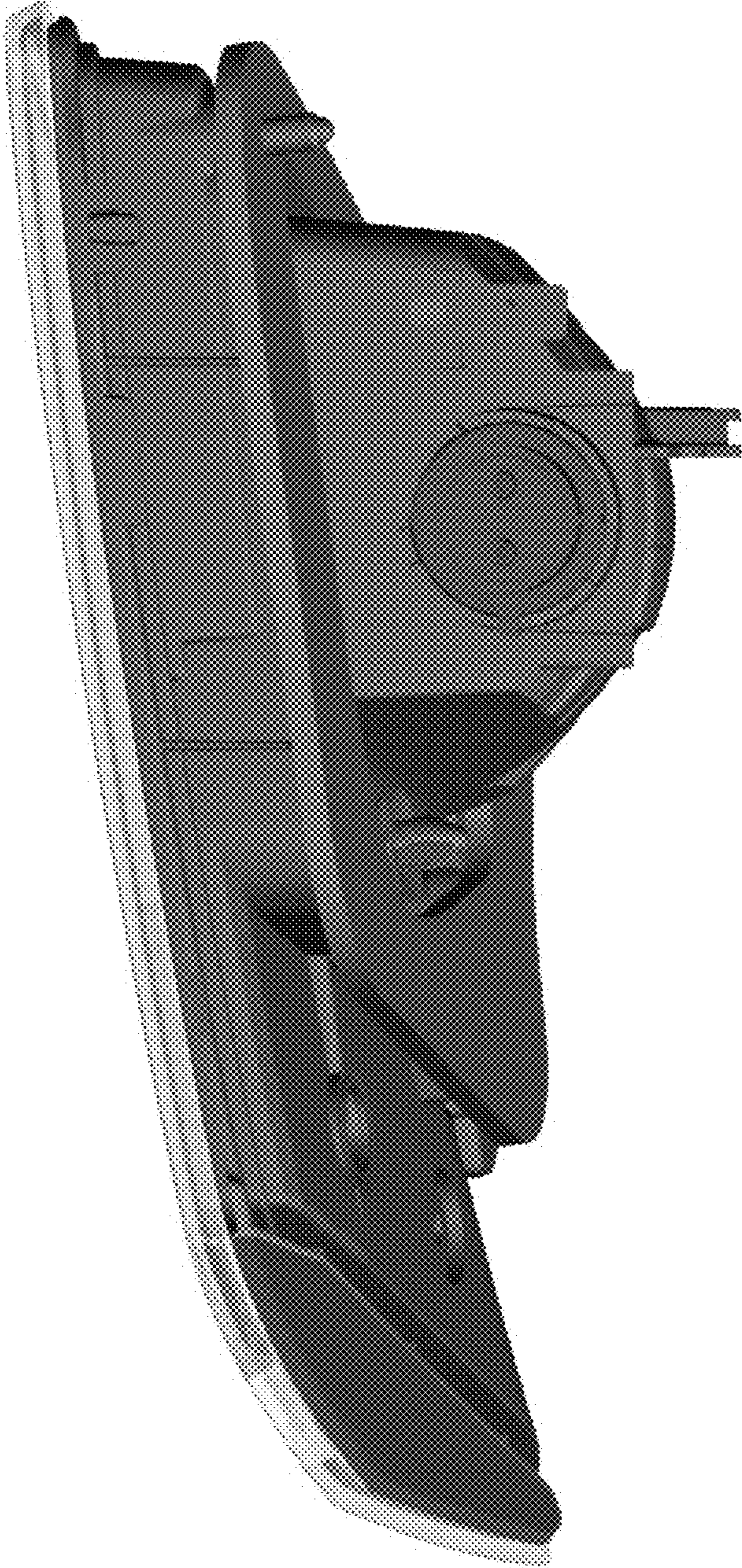


FIG. 4

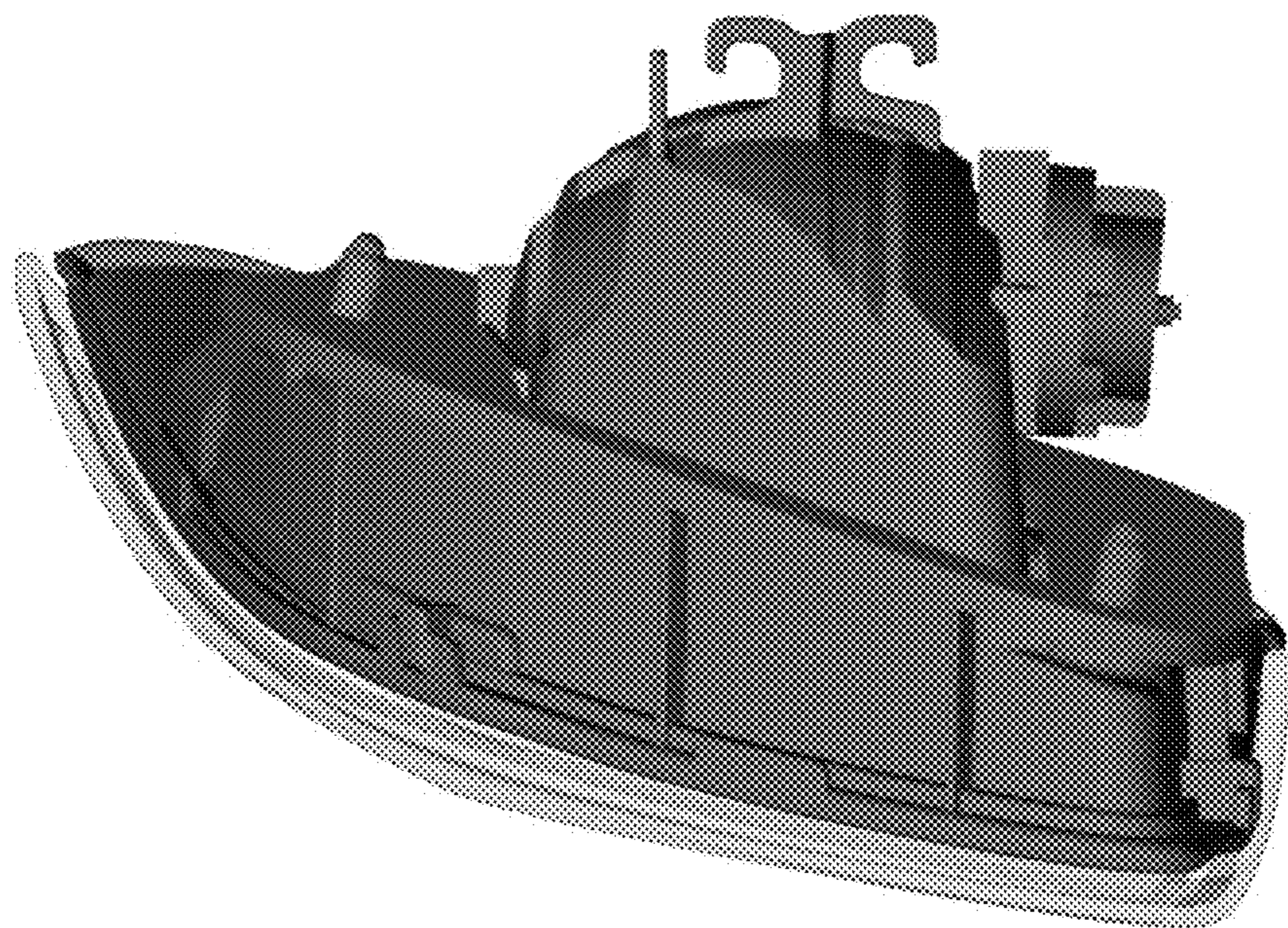


FIG. 5

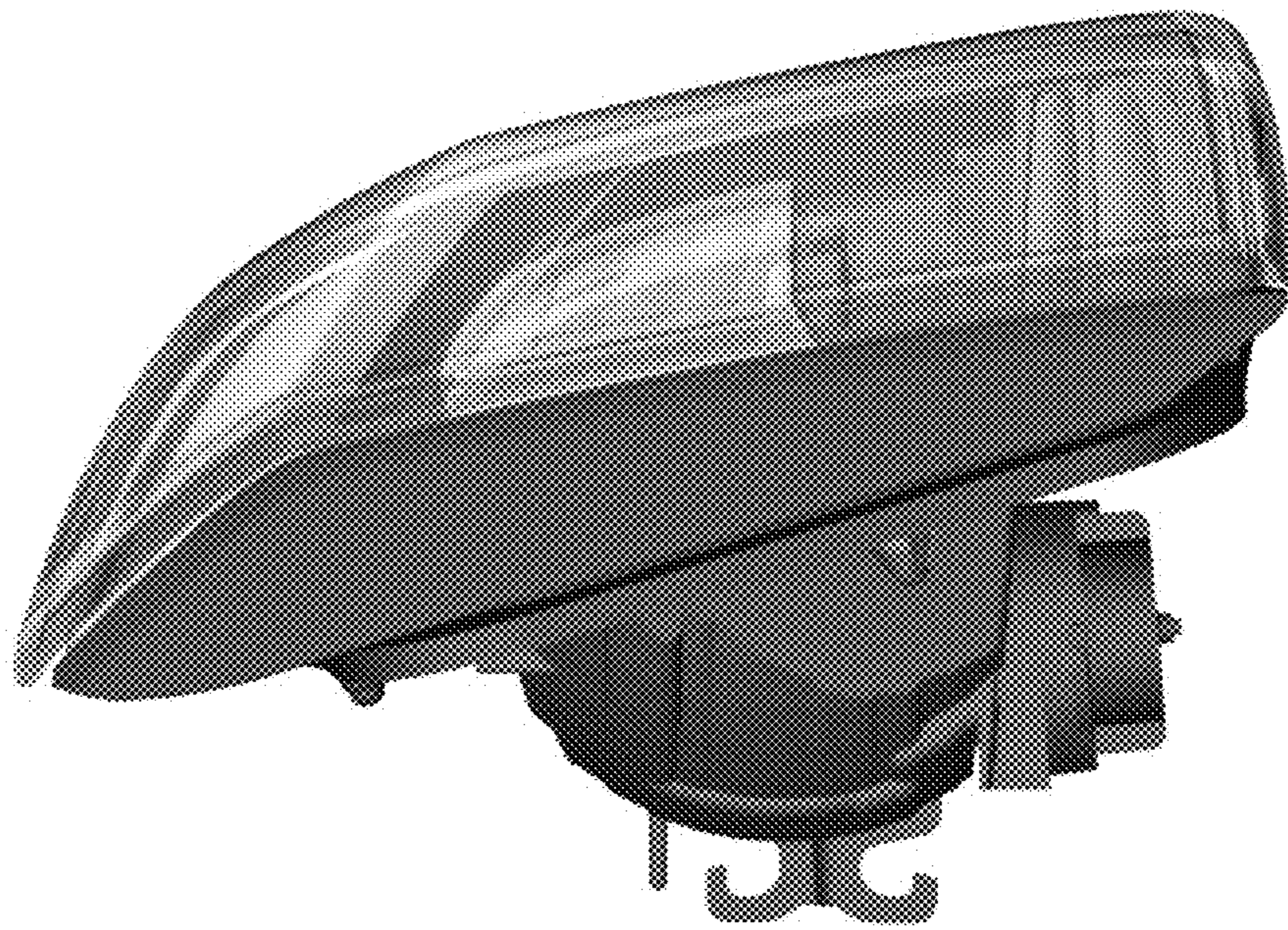


FIG. 6



FIG. 7