



US00D773701S

(12) **United States Design Patent** (10) **Patent No.:** **US D773,701 S**
Liu et al. (45) **Date of Patent:** **** Dec. 6, 2016**

(54) **HEADLAMP FOR AN AUTOMOBILE**

(71) Applicant: **Nissan Motor Co., Ltd.**, Yokohama, Kanagawa (JP)

(72) Inventors: **En Hung Liu**, Beijing (CN); **Genta Oohashi**, Kanagawa (JP); **Takashi Noguchi**, Kanagawa (JP)

(73) Assignee: **Nissan Motor Co., Ltd.**, Yokohama (JP)

(**) Term: **15 Years**

(21) Appl. No.: **29/545,119**

(22) Filed: **Nov. 10, 2015**

(30) **Foreign Application Priority Data**

May 12, 2015 (JP) 2015-010290

(51) **LOC (10) Cl.** **26-06**

(52) **U.S. Cl.**
USPC **D26/28**

(58) **Field of Classification Search**
USPC D26/28-36; 362/80-83, 267-269,
362/459-468, 475-478, 485-487

(Continued)

(56) **References Cited**

U.S. PATENT DOCUMENTS

D528,685 S * 9/2006 Yoshida D26/28
D544,114 S * 6/2007 Ohta D26/28

(Continued)

FOREIGN PATENT DOCUMENTS

JP 1389690 S 6/2010
JP 1419135 S 7/2011

(Continued)

Primary Examiner — Marcus Jackson

(74) *Attorney, Agent, or Firm* — Global IP Counselors, LLP

(57) **CLAIM**

The ornamental design for a headlamp for an automobile, as shown and described.

DESCRIPTION

FIG. 1 is an outside elevational view of a headlamp for an automobile in accordance with a first embodiment of our new design;

FIG. 2 is an inside elevational view of the headlamp in accordance with the first embodiment of our new design of FIG. 1;

FIG. 3 is a top plan view of the headlamp in accordance with the first embodiment of our new design of FIGS. 1 and 2; FIG. 4 is a bottom plan view of the headlamp in accordance with the first embodiment of our new design of FIGS. 1 to 3;

FIG. 5 is a front side elevational view of the headlamp in accordance with the first embodiment of our new design of FIGS. 1 to 4;

FIG. 6 is a rear side elevational view of the headlamp in accordance with the first embodiment of our new design of FIGS. 1 to 5; and,

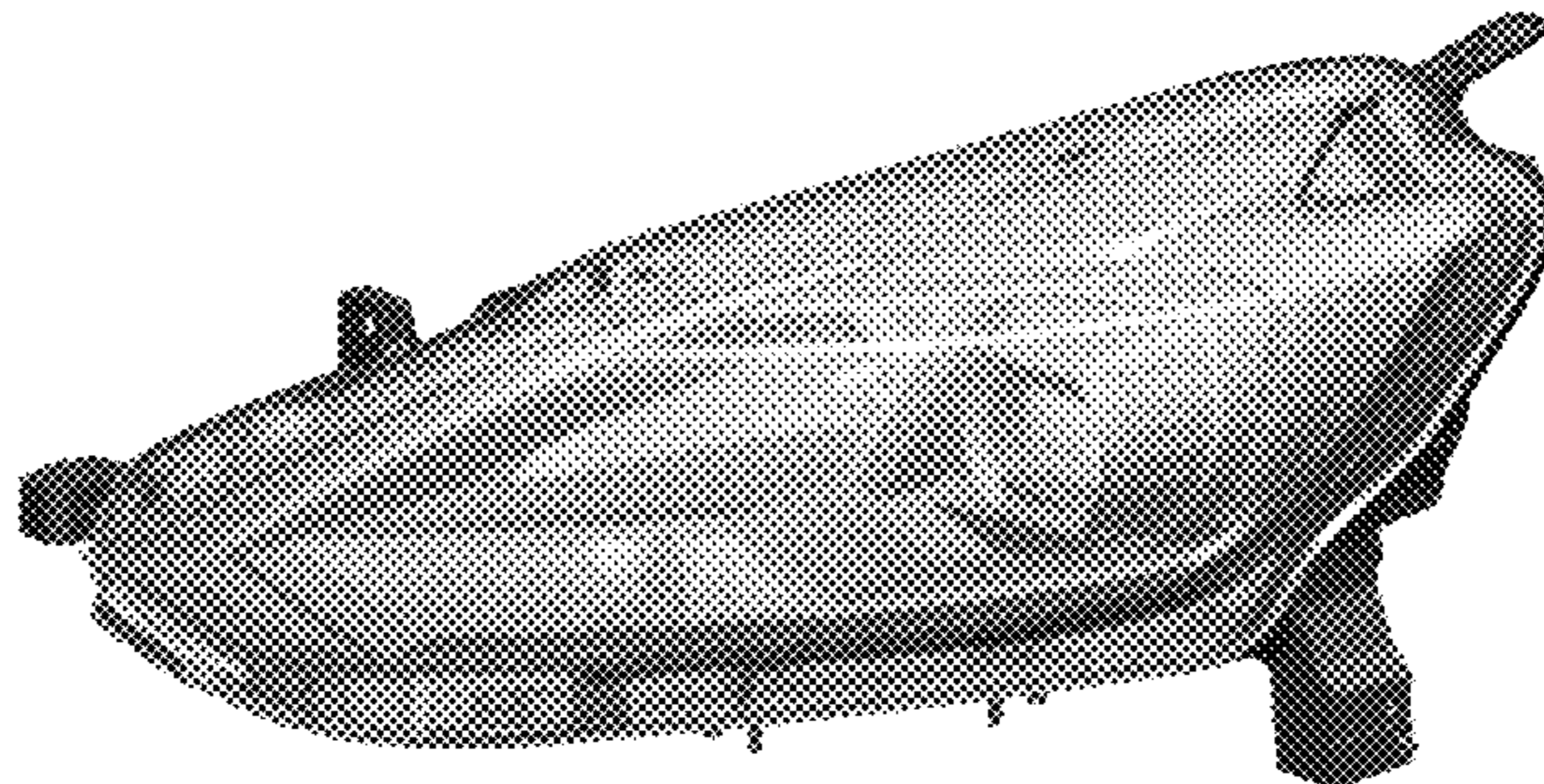
FIG. 7 is a front side perspective view of the headlamp in accordance with the first embodiment of our new design of FIGS. 1 to 6.

The inside elevational view of FIG. 2 and the rear side elevational view of FIG. 6 form no part of the claimed design. In addition, the headlamp is configured to be mounted to an automobile. The mounting structure and support structure of the headlamp, visible in FIGS. 1 to 7, form no part of the claimed design since the mounting structure and support structure are hidden when the headlamp is mounted to the automobile.

In addition, the appearance of the rear side structures and inside side structures of the headlamp as seen in FIGS. 1, 3, 4, 5 and 7 is for purpose of illustrating the boundaries of the exterior surface of the outside of the headlamp, and forms no part of the claimed design.

A second embodiment of our new design is identical to the first embodiment. The second embodiment of our new design includes the mirror image of the rear combination lamp shown in FIGS. 1 to 7.

1 Claim, 7 Drawing Sheets



(58) **Field of Classification Search**

CPC F21S 48/00; F21S 48/10; F21S 48/115;
F21S 48/225; F21S 48/1233; F21S
48/1266; F21S 48/1388; F21S 48/2268;
F21V 21/04

See application file for complete search history.

(56) **References Cited**

U.S. PATENT DOCUMENTS

D560,291 S *	1/2008	Koyama	D26/28
D597,232 S *	7/2009	Hanaoka	D26/28
D675,355 S	1/2013	Sakai et al.	
D683,057 S	5/2013	Aikawa et al.	
D708,375 S	7/2014	Endo	
D726,353 S *	4/2015	Yagihashi	D26/28
D726,941 S *	4/2015	Kato	D26/28
D728,133 S *	4/2015	Bieling	D26/28

FOREIGN PATENT DOCUMENTS

JP	1455119 S	11/2012
JP	1461043 S	2/2013
JP	1479631 S	9/2013
JP	1458889 S	12/2013
JP	1499007 S	6/2014
JP	1475369 S	7/2014
JP	1503981 S	8/2014
JP	1513126 S	12/2014
JP	1518517 S	3/2015
JP	1519223 S	3/2015
JP	1501252 S	6/2015
JP	1530843 S	8/2015

* cited by examiner

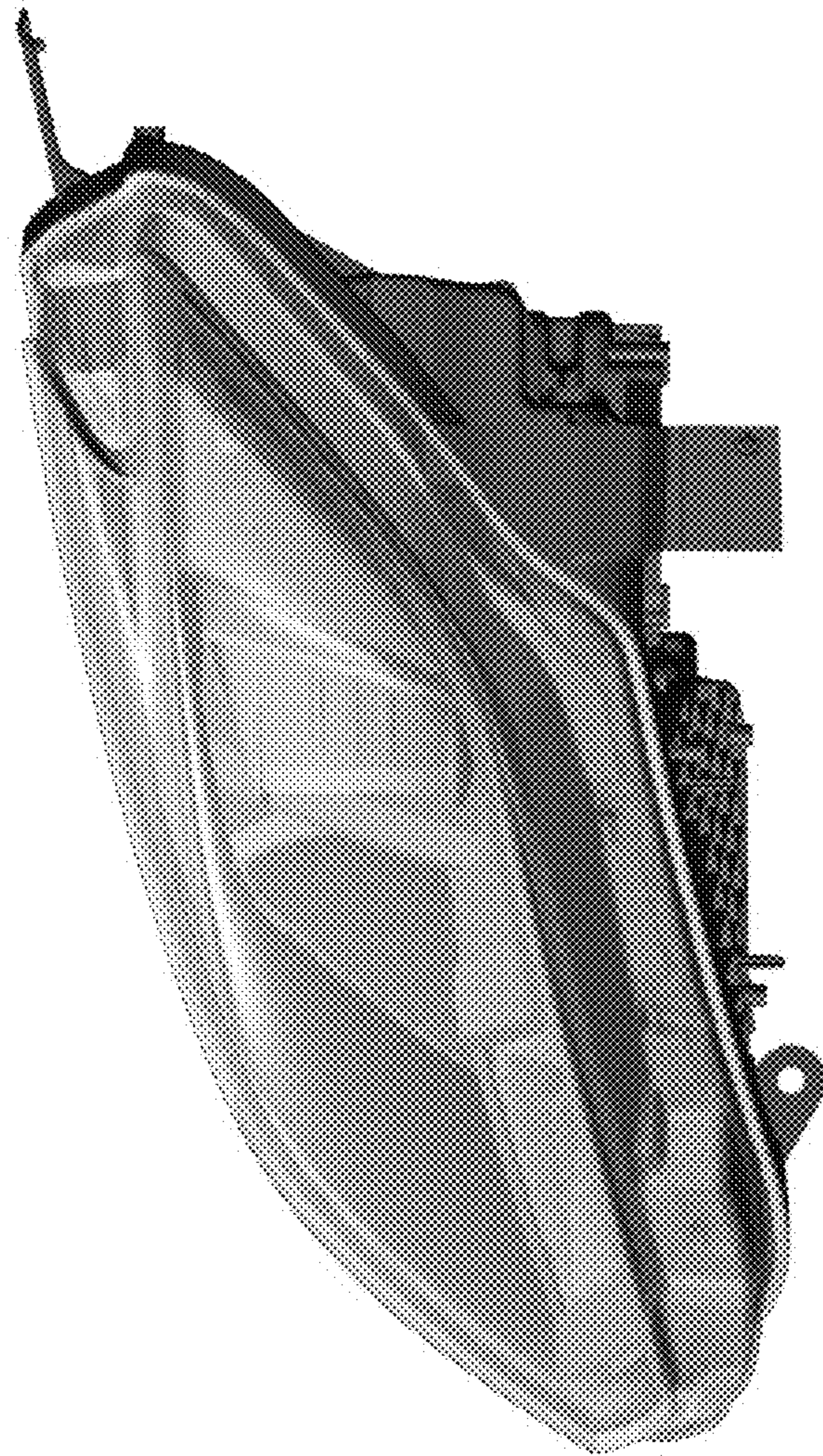
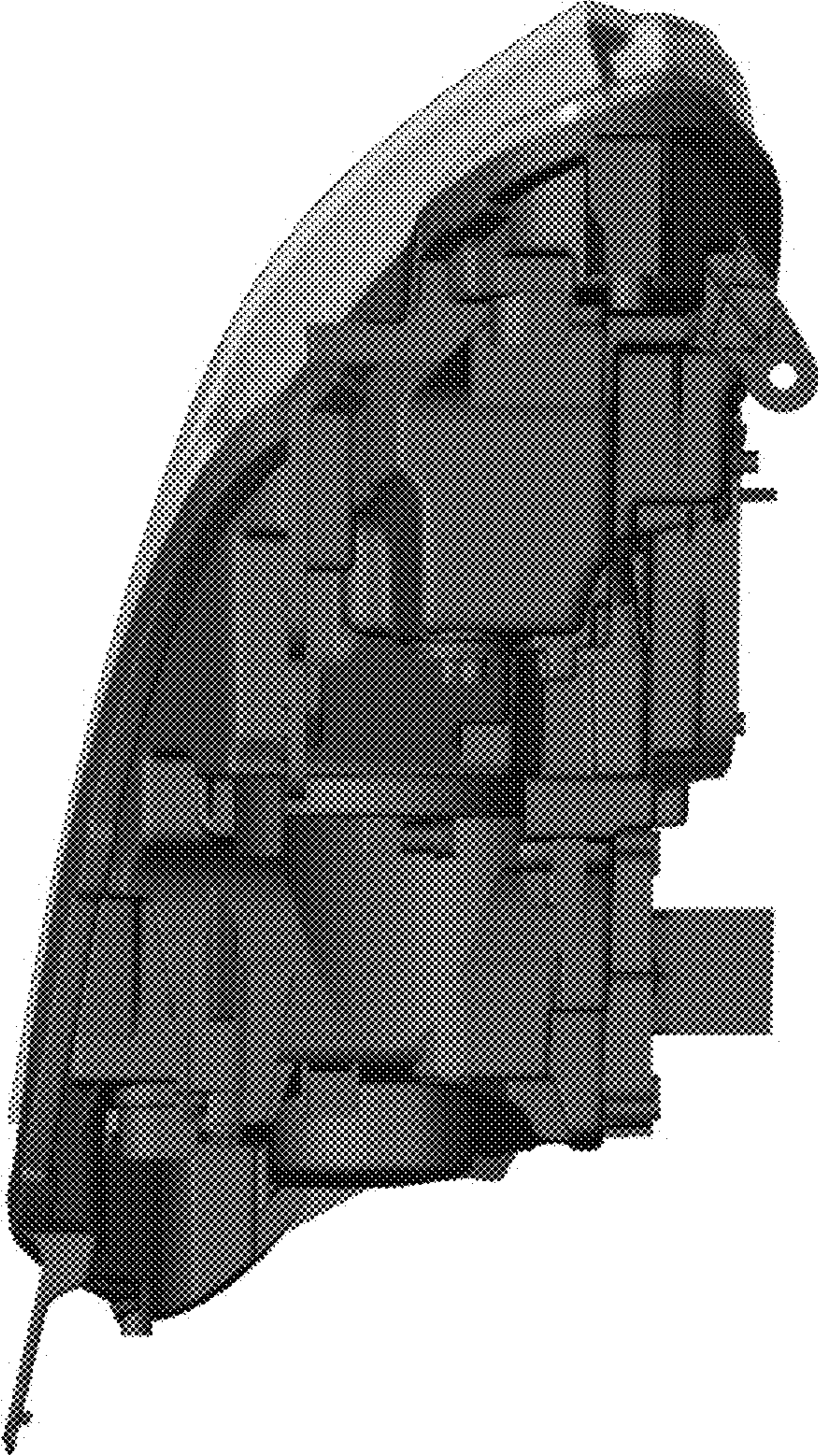


FIG. 1

FIG. 2



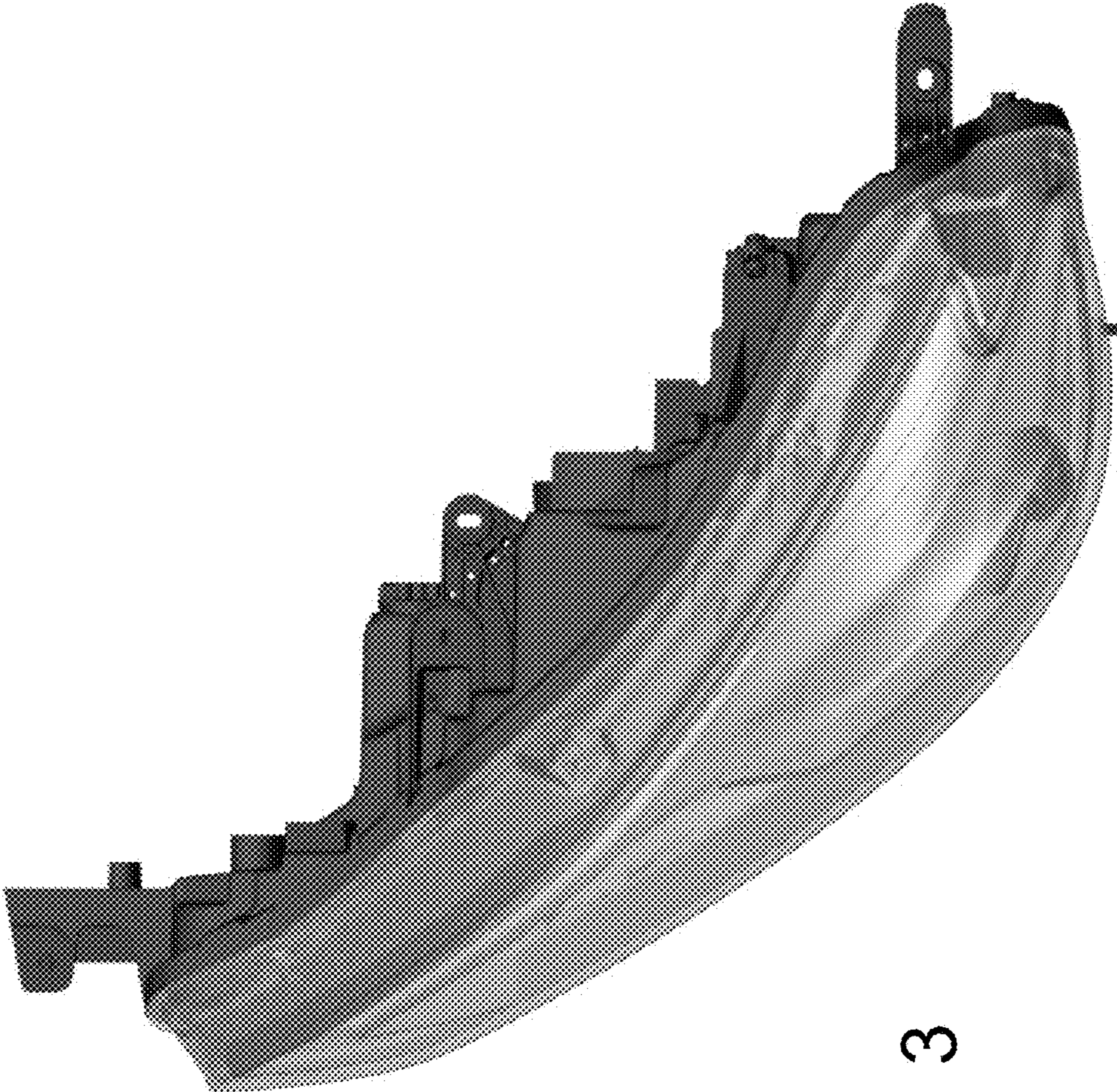


FIG. 3

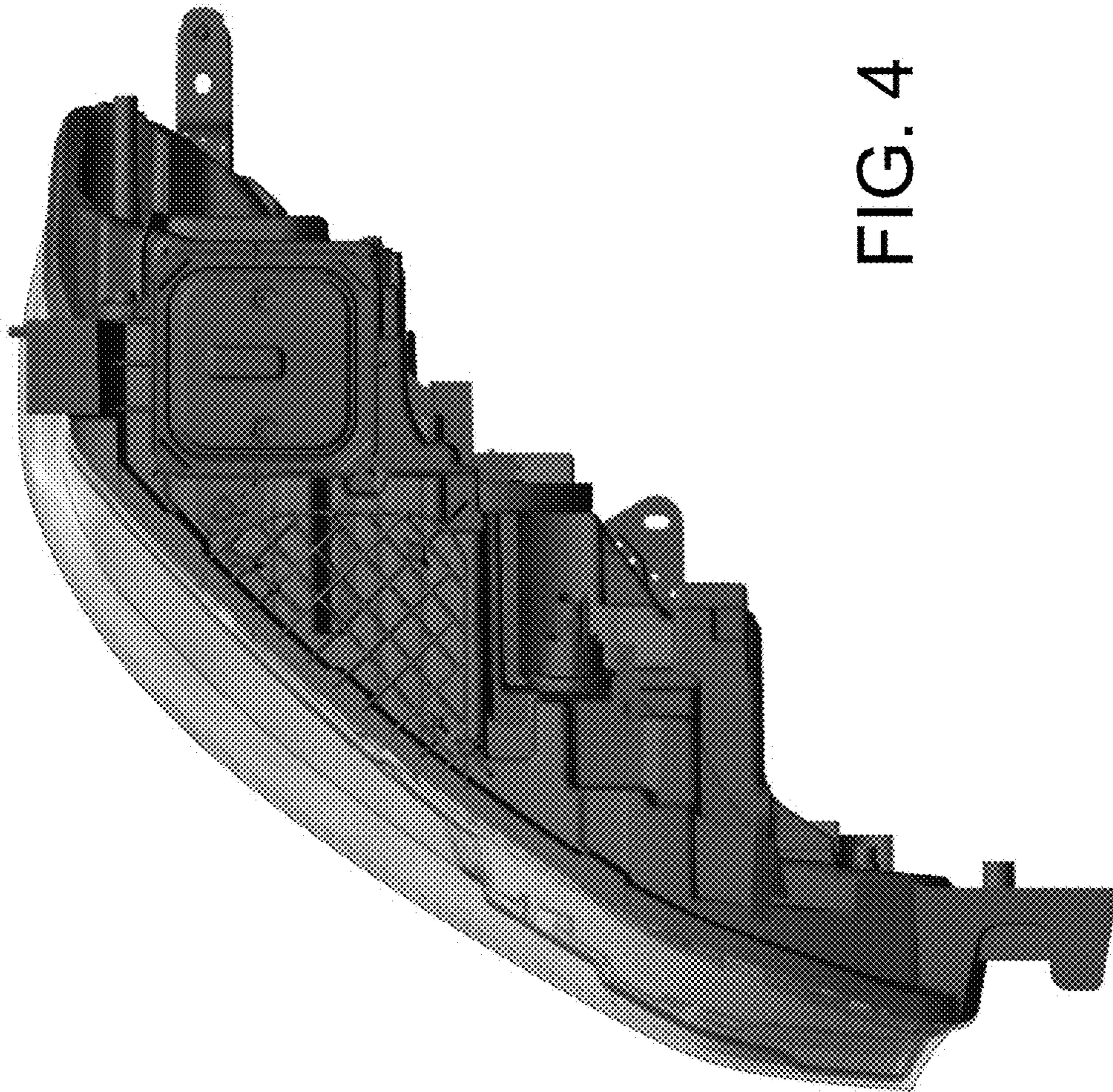


FIG. 4

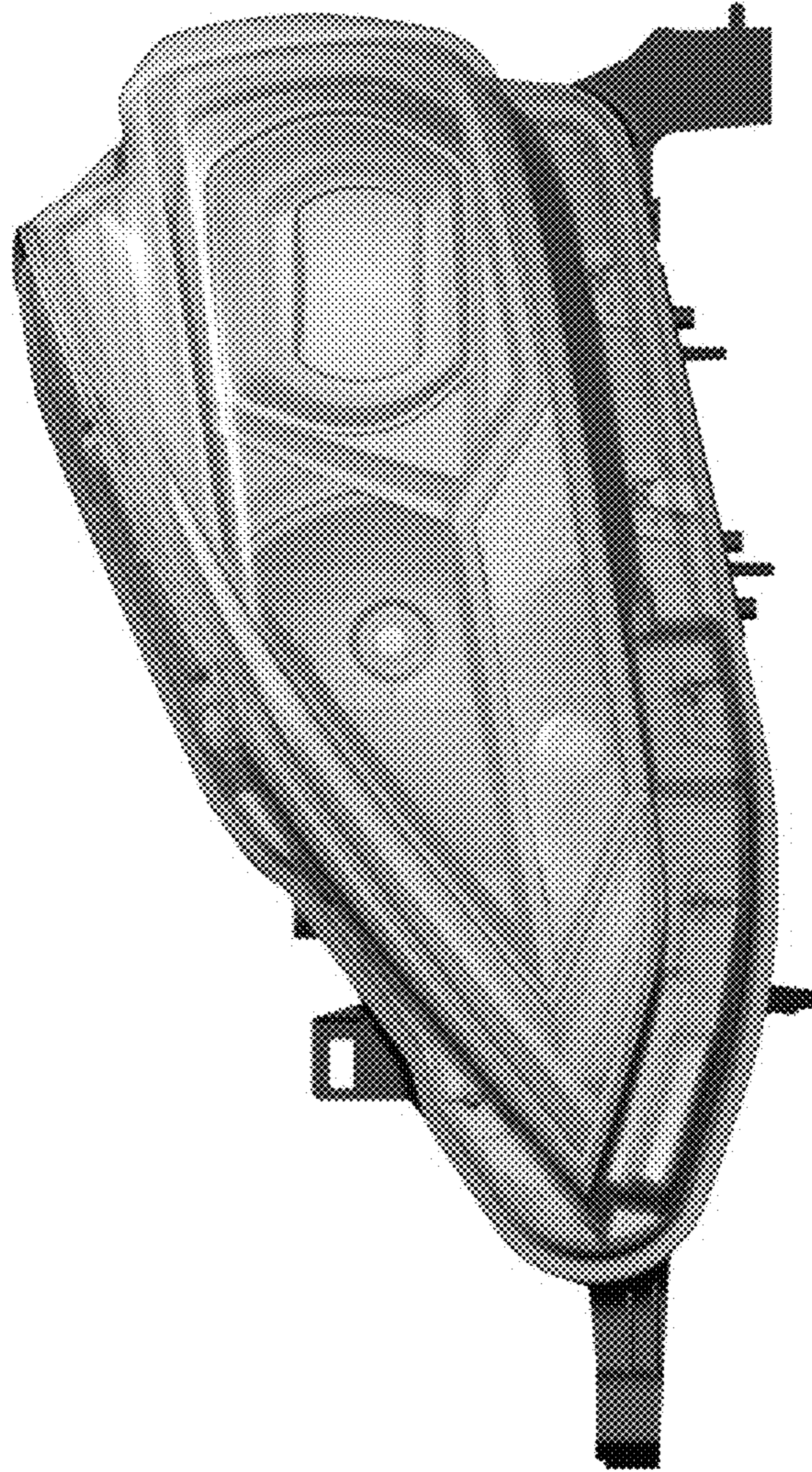


FIG. 5

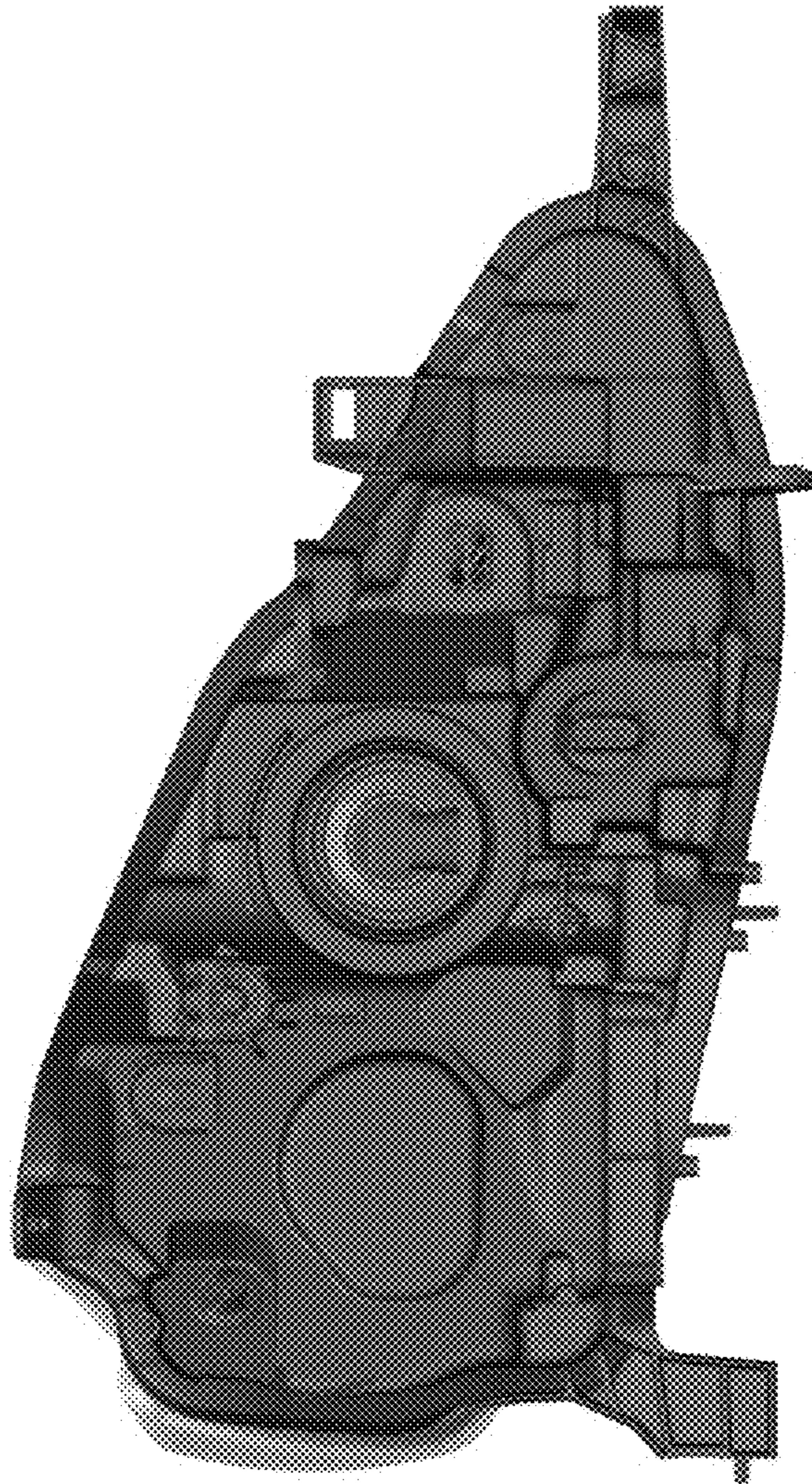


FIG. 6

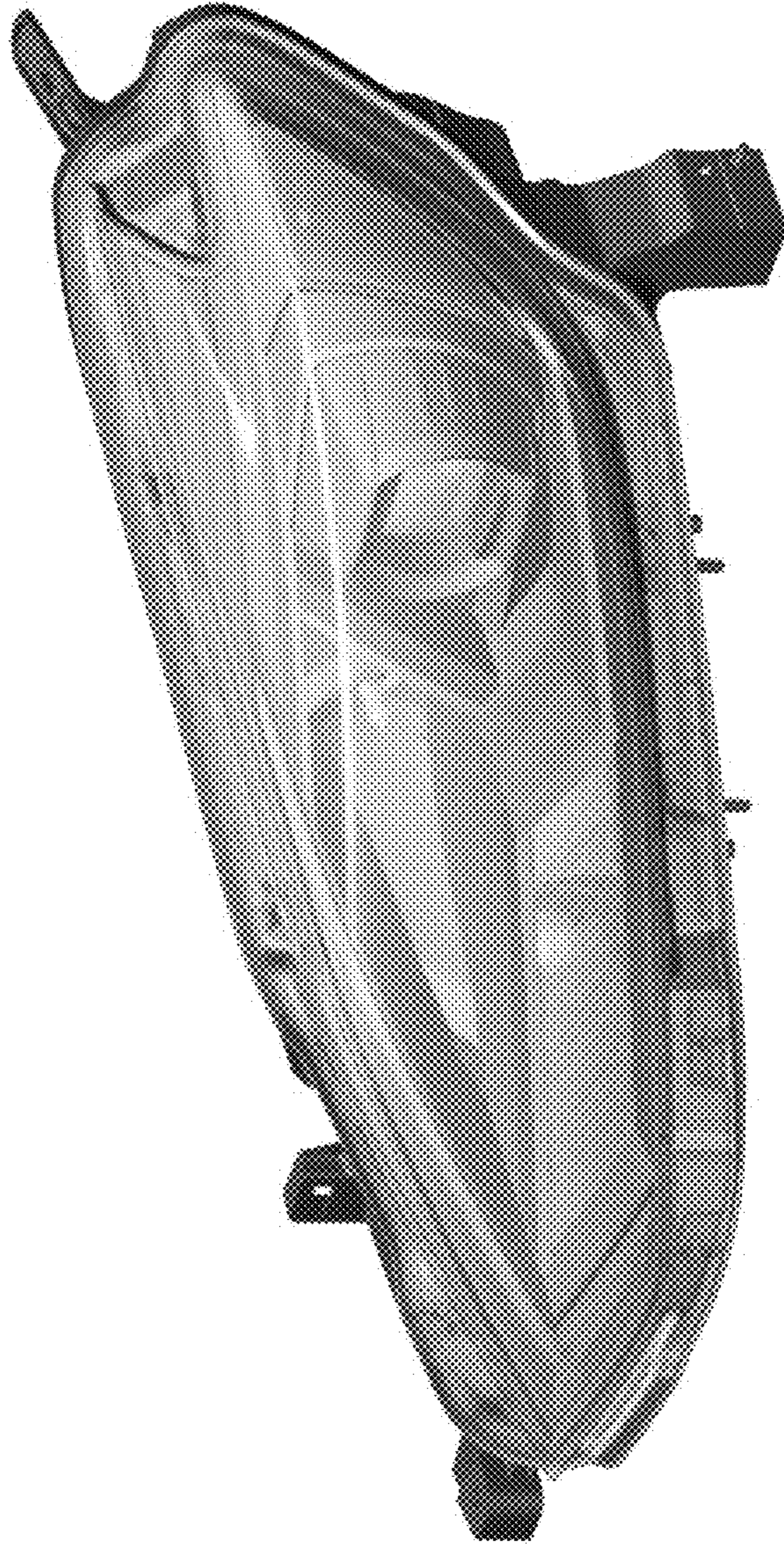


FIG. 7