



US00D773700S

(12) **United States Design Patent** (10) **Patent No.:** **US D773,700 S**
Aoki et al. (45) **Date of Patent:** **** Dec. 6, 2016**

(54) **HEADLIGHT FOR AN AUTOMOBILE**

(56) **References Cited**

(71) Applicant: **Panasonic Intellectual Property Management Co., Ltd.**, Osaka (JP)

U.S. PATENT DOCUMENTS

(72) Inventors: **Hiro Aoki**, Osaka (JP); **Makoto Kai**, Kyoto (JP); **Yoshihiko Kanayama**, Hyogo (JP); **Masaaki Itoh**, Osaka (JP)

D550,380 S *	9/2007	Lin	D26/28
D560,291 S *	1/2008	Koyama	D26/28
D560,832 S *	1/2008	Hsu	D26/28
D561,358 S *	2/2008	Tachibana	D26/28
D570,007 S *	5/2008	Hsu	D26/28
D593,232 S *	5/2009	Koman	D26/28
D690,853 S *	10/2013	Huang	D26/28

(73) Assignee: **Panasonic Intellectual Property Management Co., Ltd.**, Osaka (JP)

* cited by examiner

(**) Term: **15 Years**

Primary Examiner — Marcus Jackson

(21) Appl. No.: **29/544,917**

(74) *Attorney, Agent, or Firm* — Panasonic IP Management; Kerry S. Culpepper

(22) Filed: **Nov. 6, 2015**

(57) **CLAIM**

We claim the ornamental design for a headlight for an automobile, as shown and described.

(30) **Foreign Application Priority Data**

DESCRIPTION

May 21, 2015 (JP) 2015-011082

(51) **LOC (10) Cl.** **26-06**

(52) **U.S. Cl.**
USPC **D26/28**

(58) **Field of Classification Search**
USPC D26/28-36; 362/80-83, 267-269,
362/459-468, 475-478, 485-487
CPC F21S 48/00; F21S 48/10; F21S 48/115;
F21S 48/225; F21S 48/1233; F21S
48/1266; F21S 48/1388; F21S 48/2268;
F21V 21/04

FIG. 1 is a front perspective view of a headlight for an automobile of the present invention;
FIG. 2 is a front view thereof;
FIG. 3 is a rear view thereof;
FIG. 4 is a left side view thereof;
FIG. 5 is a right side view thereof;
FIG. 6 is a top view thereof;
FIG. 7 is a bottom view thereof;
FIG. 8 is a cross-sectional view taken along the line 8-8 of FIG. 2; and,
FIG. 9 is a cross-sectional view taken along the line 9-9 of FIG. 6.

See application file for complete search history.

1 Claim, 9 Drawing Sheets

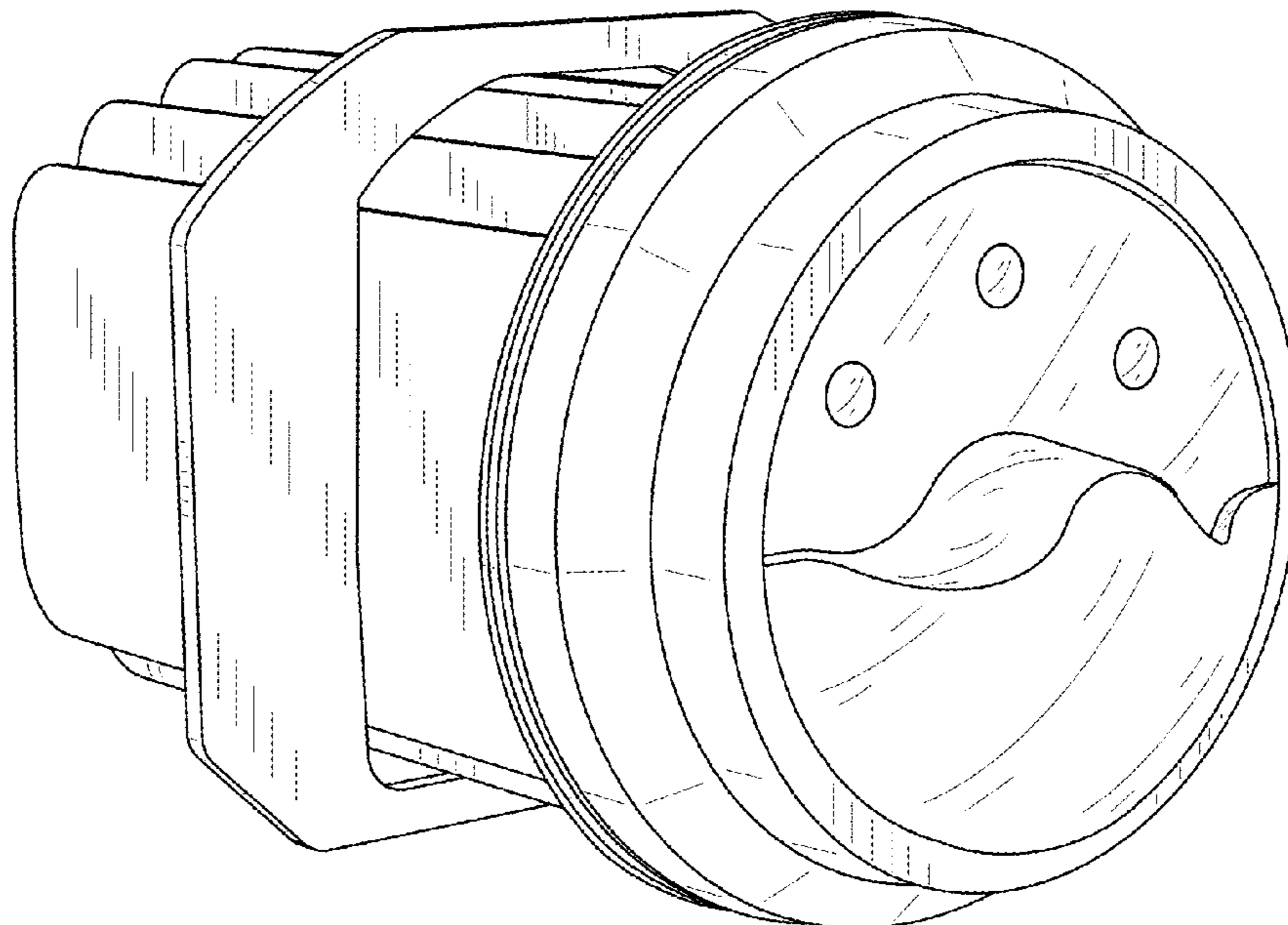


FIG. 1

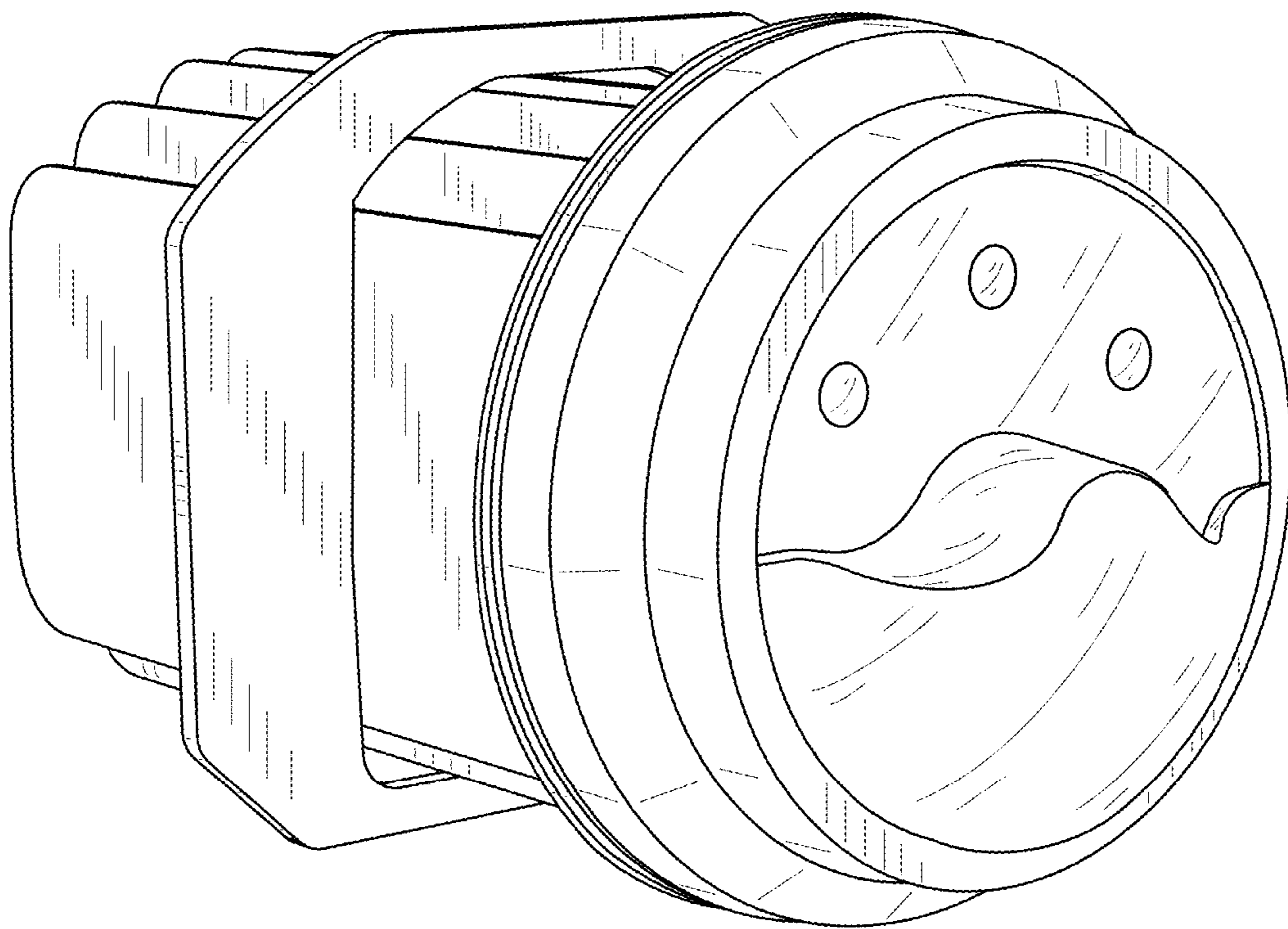


FIG. 2

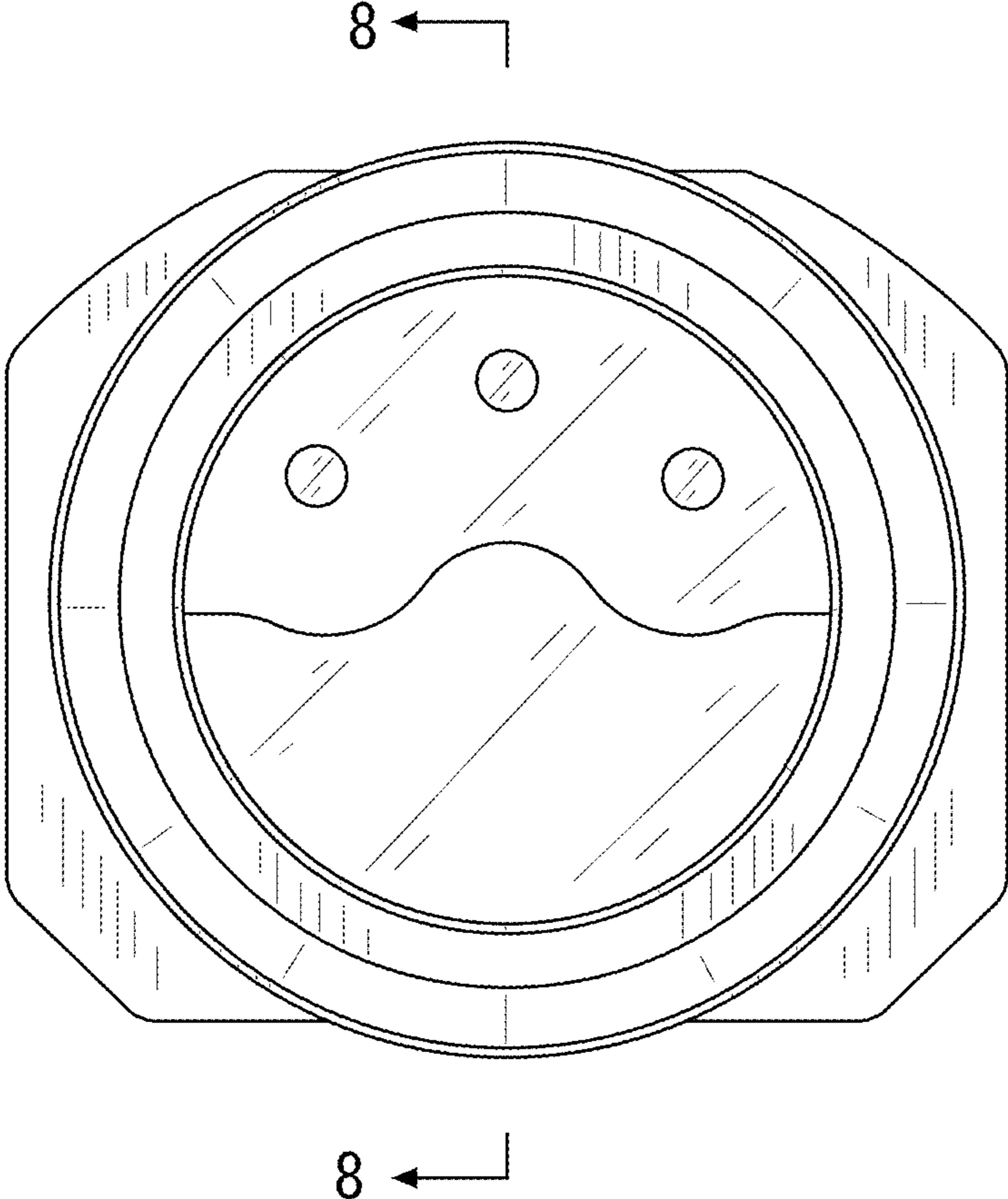


FIG. 3

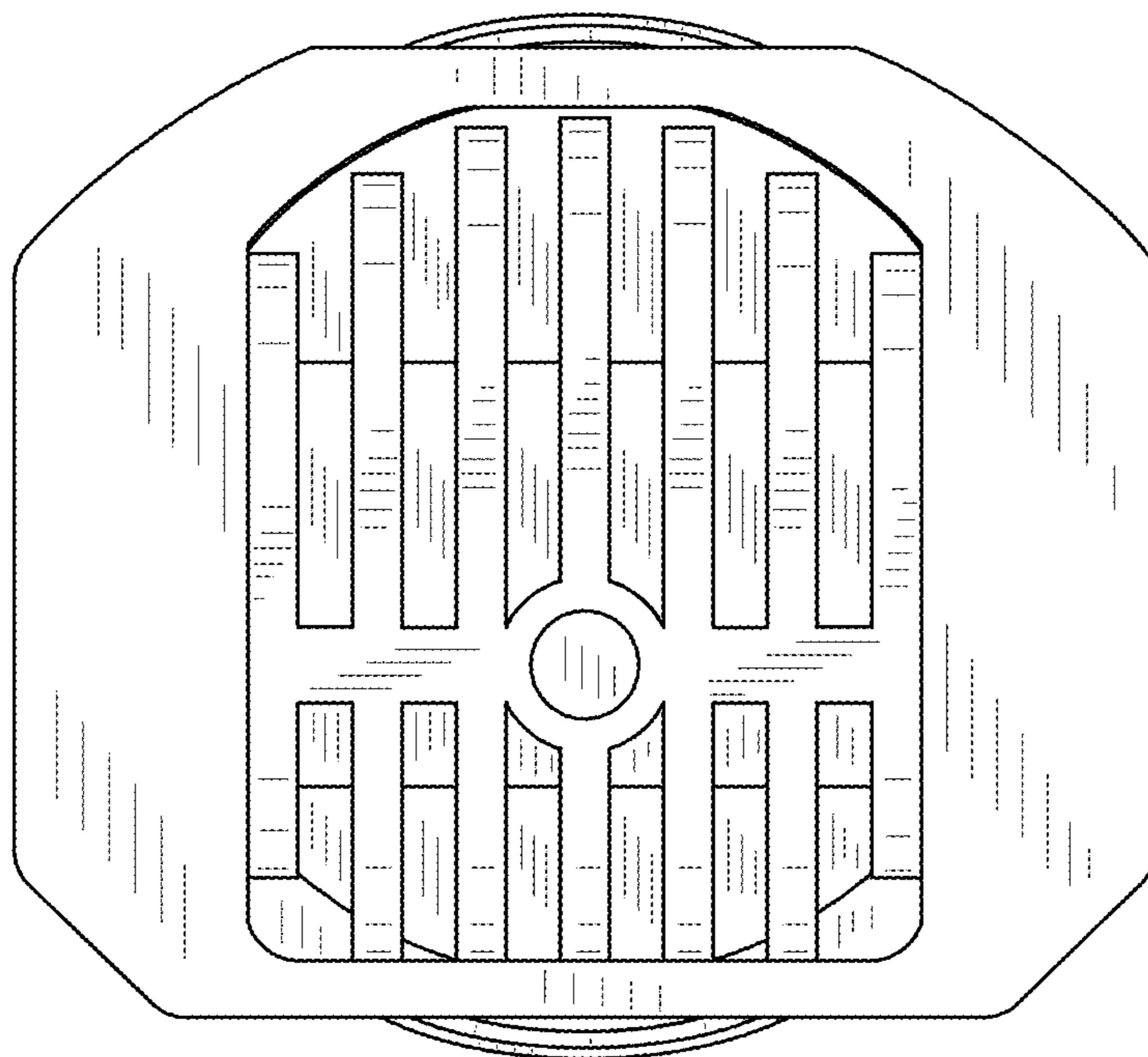


FIG. 4

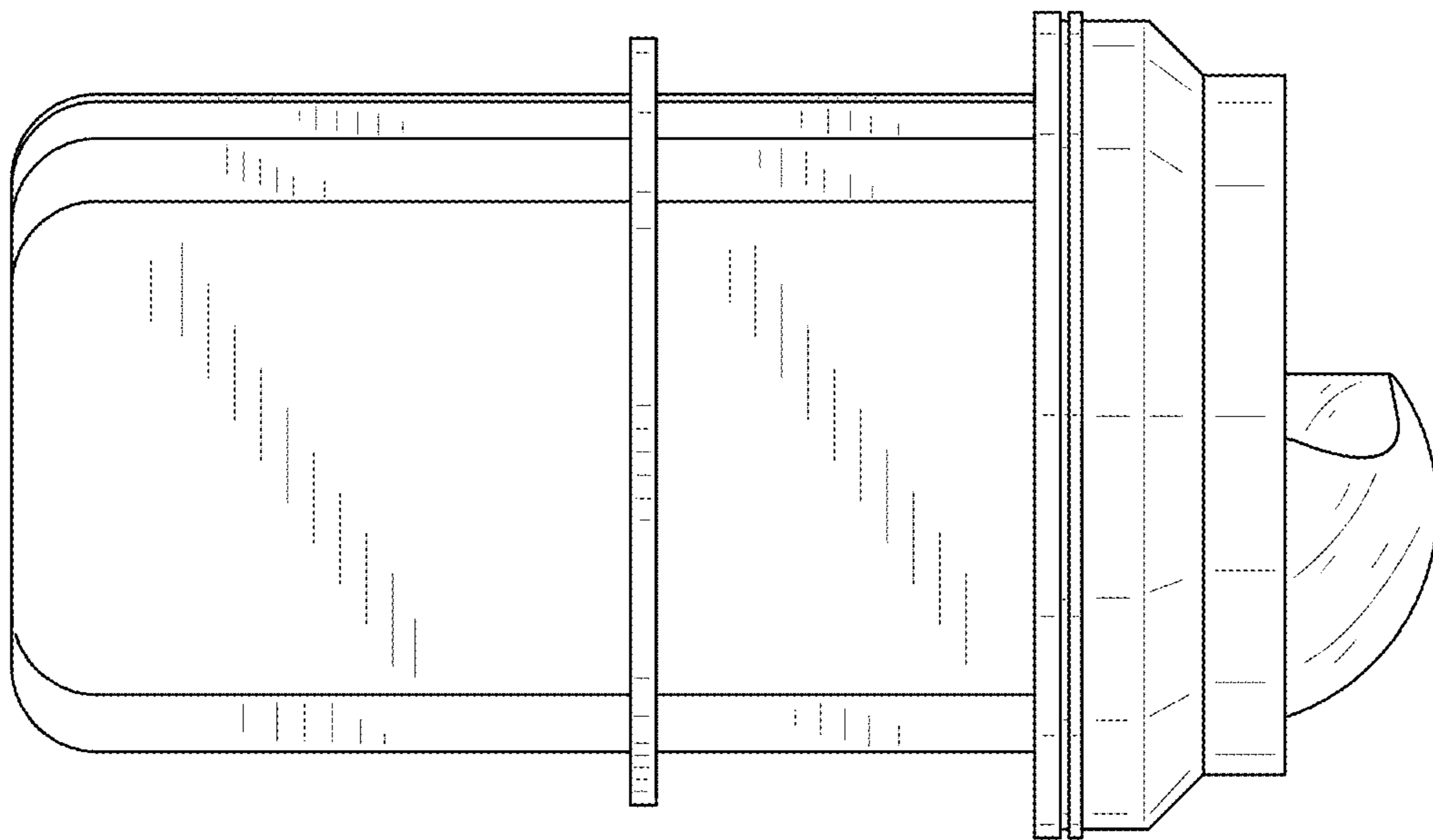


FIG. 5

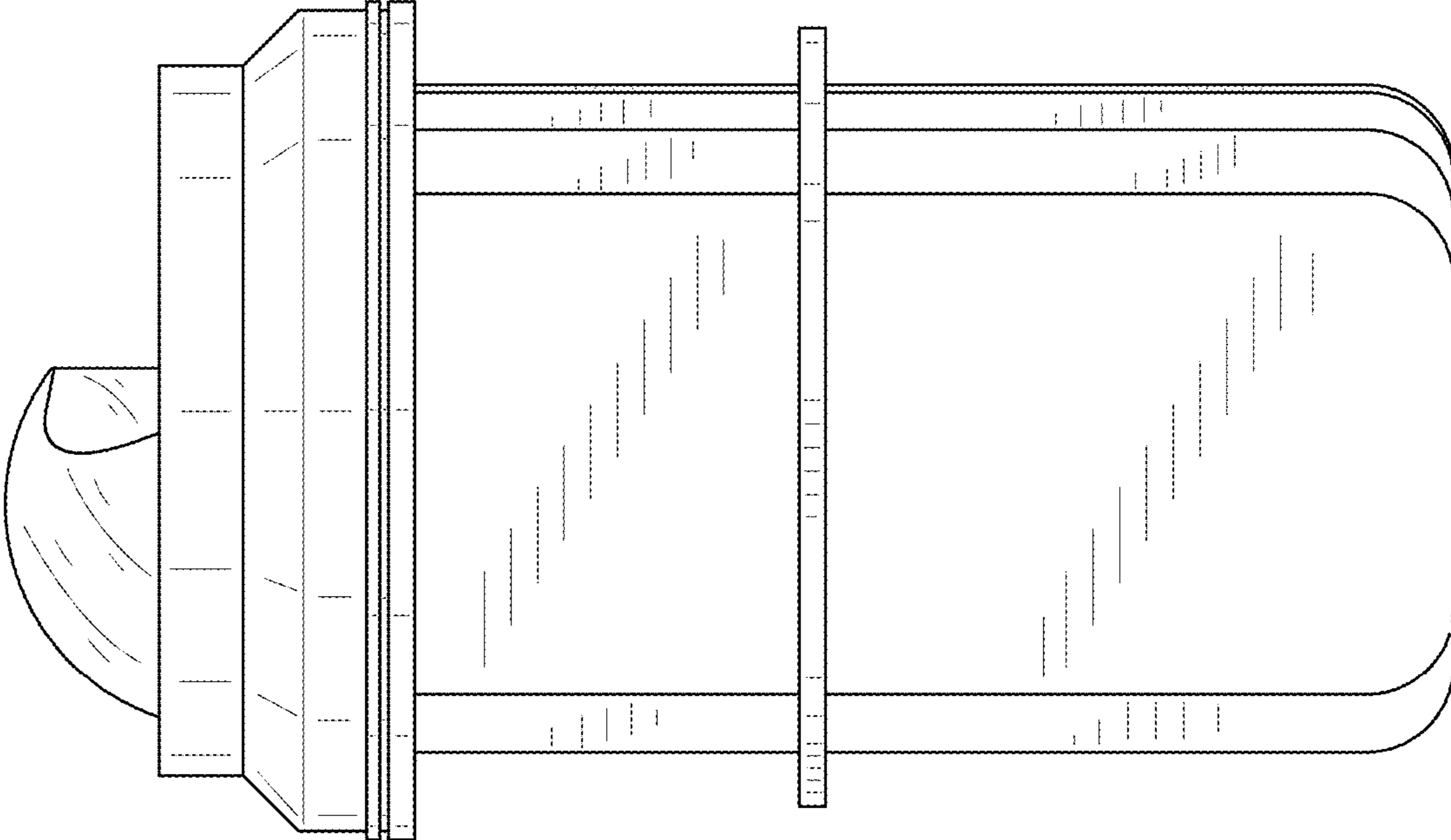


FIG. 6

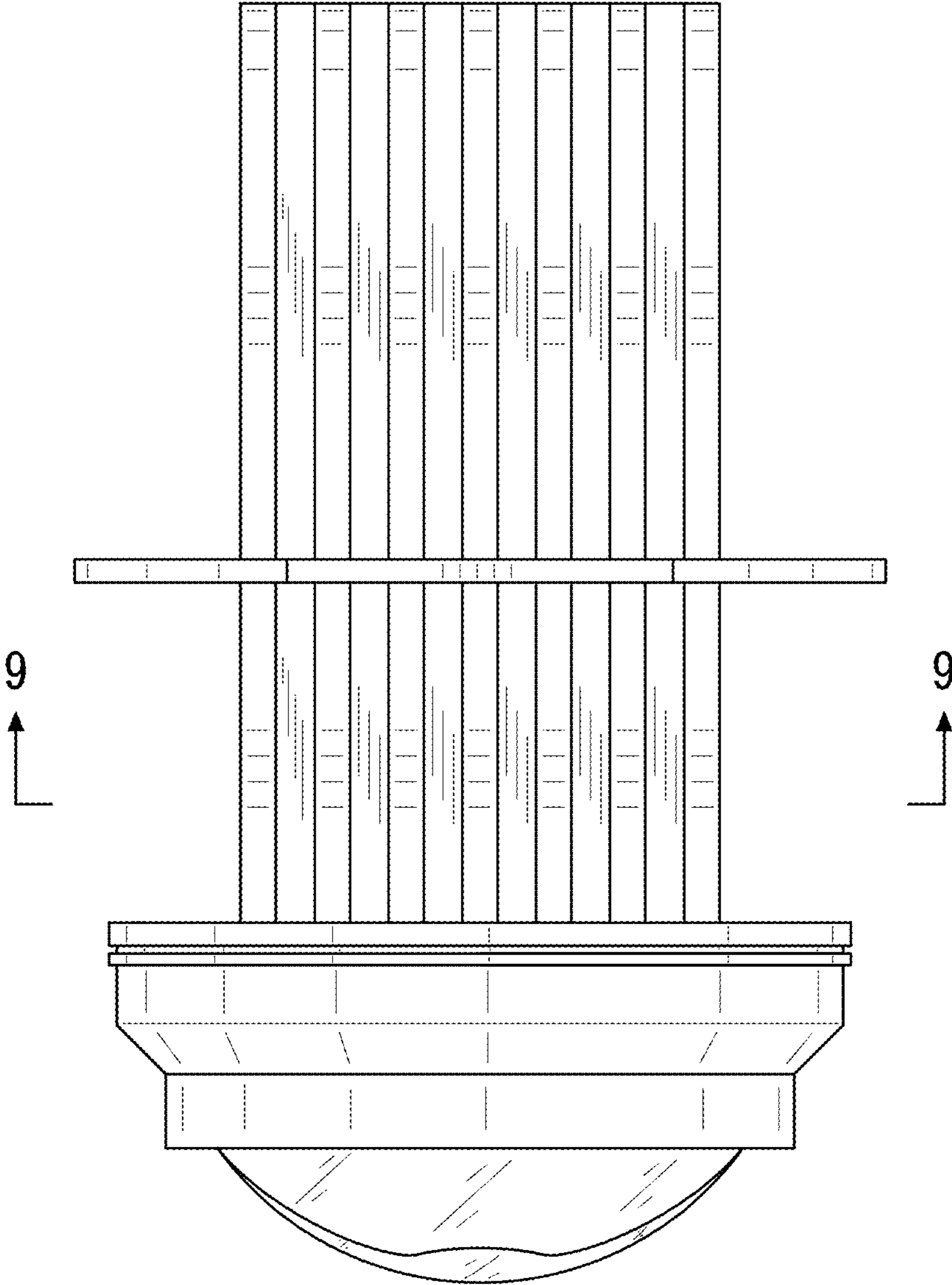


FIG. 7

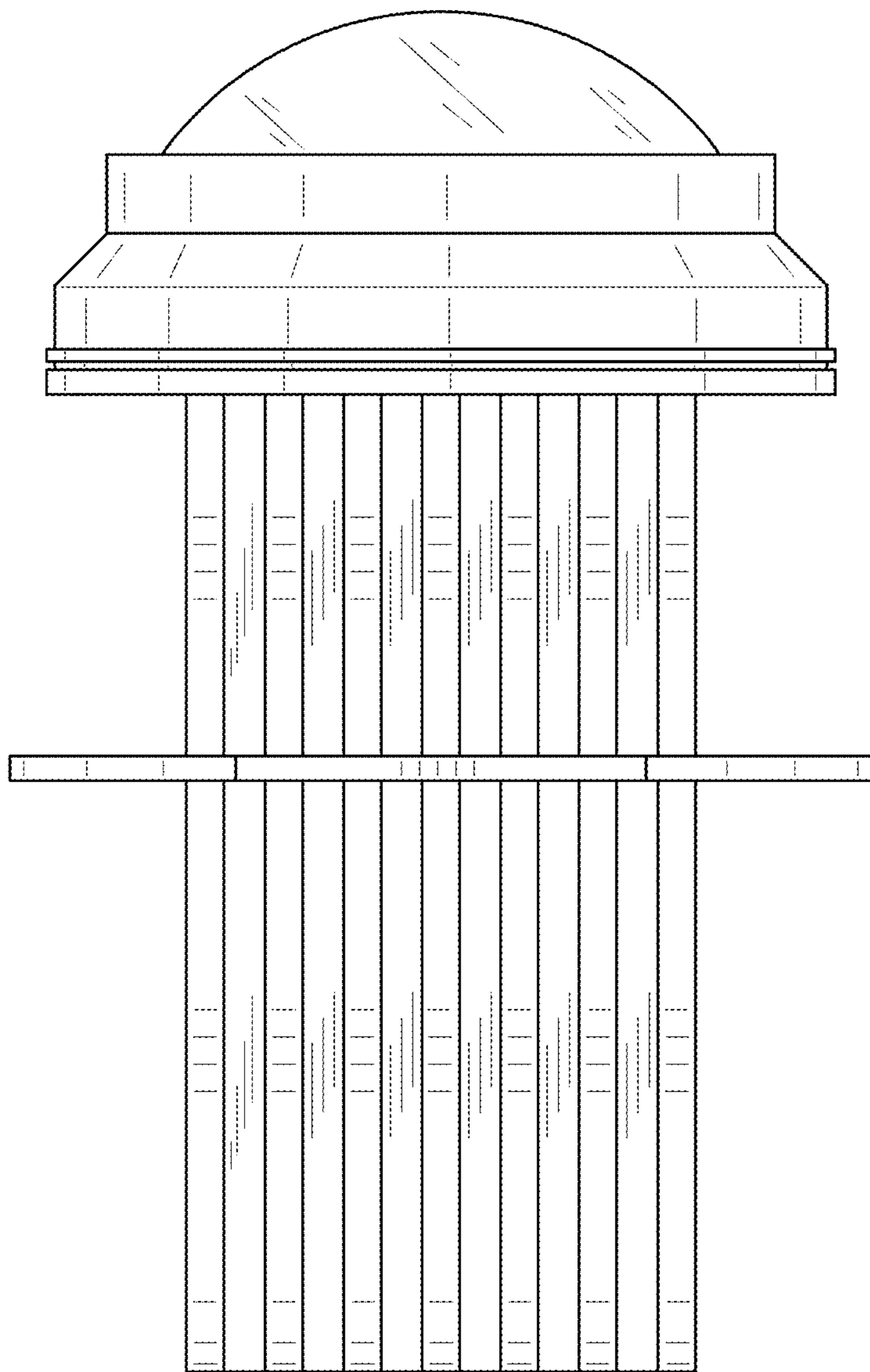


FIG. 8

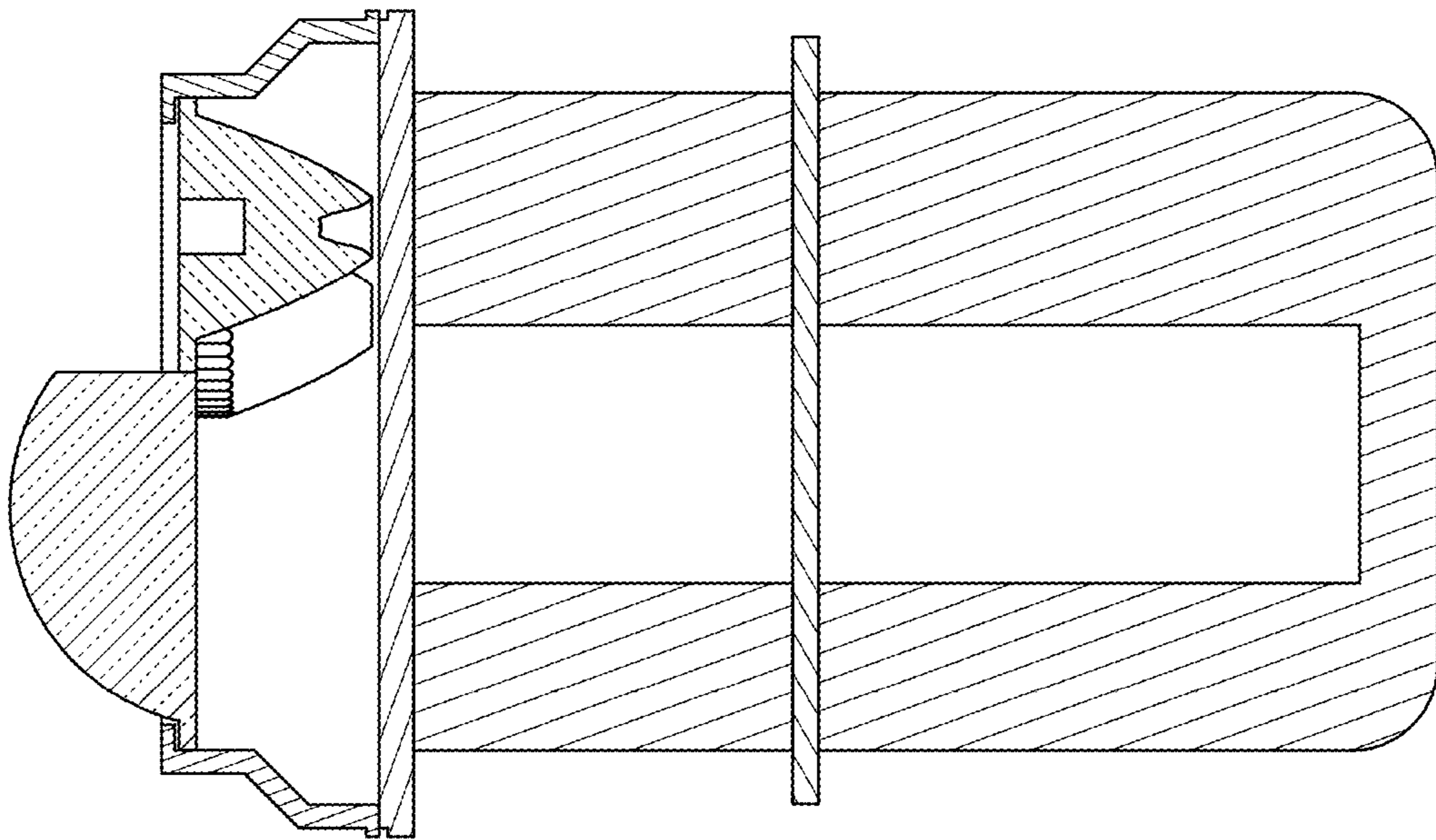


FIG. 9

