



US00D773692S

(12) **United States Design Patent**
Maxwell

(10) **Patent No.:** **US D773,692 S**
(45) **Date of Patent:** **** Dec. 6, 2016**

- (54) **ARIZONA PAVING STONE**
- (71) Applicant: **Brian Maxwell**, Phoenix, AZ (US)
- (72) Inventor: **Brian Maxwell**, Phoenix, AZ (US)
- (**) Term: **14 Years**
- (21) Appl. No.: **29/520,300**
- (22) Filed: **Mar. 13, 2015**
- (51) **LOC (10) Cl.** **25-01**
- (52) **U.S. Cl.**
USPC **D25/113**
- (58) **Field of Classification Search**
USPC D21/483-485, 490, 499-500; D25/112,
D25/113, 118, 138, 157, 159; 52/311.2,
574, 52/575, 596, 603-609, 612; 404/17,
19-20, 404/27-31, 34-42; 405/16, 33,
115, 284-286
CPC B44C 3/12; B44C 5/04; E01C 5/00
See application file for complete search history.

- D695,918 S * 12/2013 Dignard D25/113
- D695,919 S * 12/2013 Dignard D25/113
- D695,920 S * 12/2013 Dignard D25/113
- D695,921 S * 12/2013 Dignard D25/113
- D695,922 S * 12/2013 Dignard D25/113
- D712,534 S * 9/2014 Thomassen D24/113
- 9,021,761 B2 * 5/2015 Riccobene E04B 2/08
52/588.1
- D735,890 S * 8/2015 Gleason D25/113

(Continued)

OTHER PUBLICATIONS

http://www.houzz.com/photos/landscaping-stones-and-pavers/query/L_shaped Retrieved Mar. 16, 2016.*

Primary Examiner — Susan Bennett Hattan
Assistant Examiner — Leanne Was
(74) *Attorney, Agent, or Firm* — Keith Miller

(57) **CLAIM**

The ornamental design for an Arizona paving stone, as described and shown.

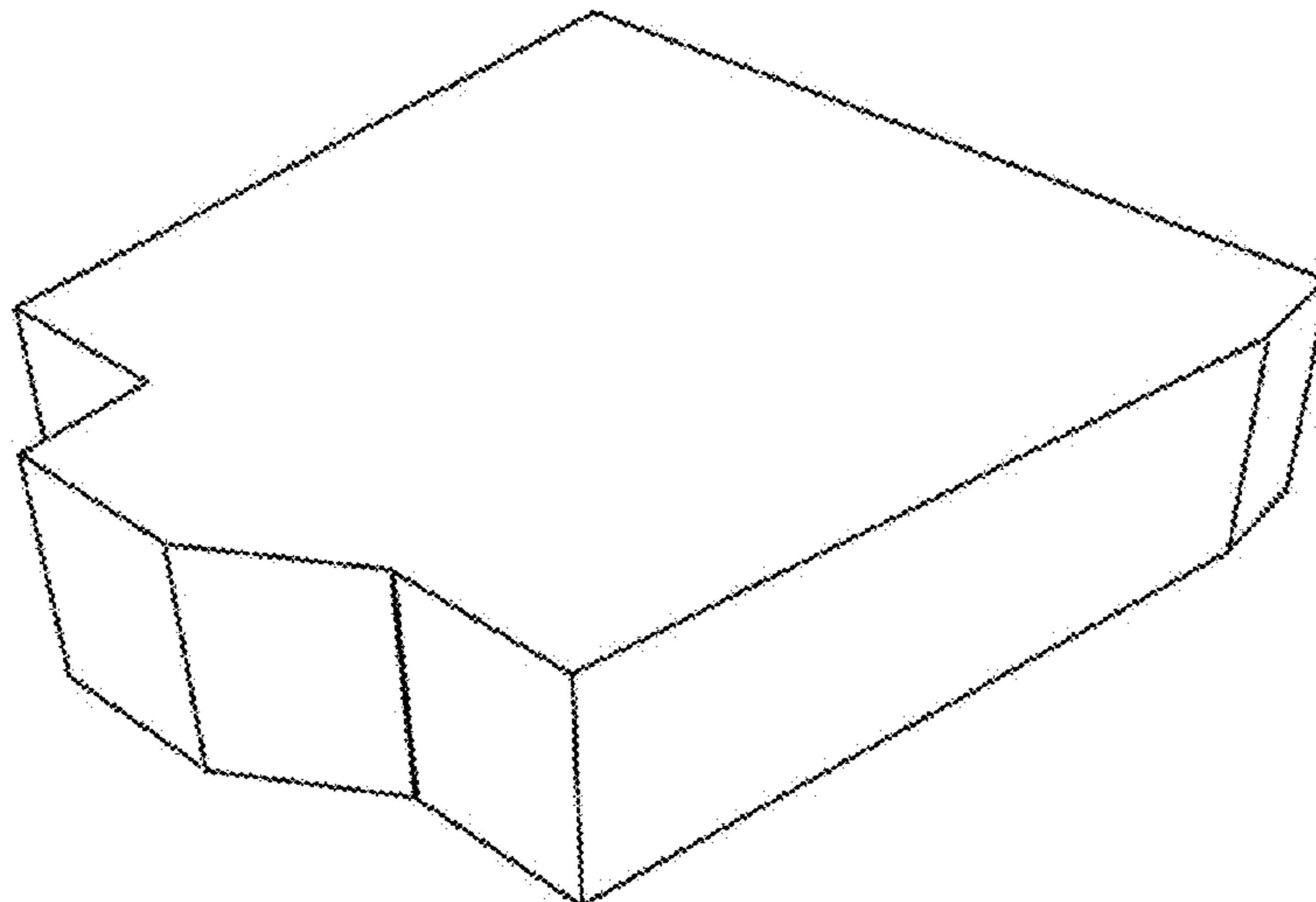
DESCRIPTION

FIG. 1 is a perspective view of an Arizona paving stone showing my new design.
FIG. 2 is a front side elevation of the Arizona paving stone.
FIG. 3 a rear side elevation of the Arizona paving stone.
FIG. 4 is a right side elevation of the Arizona paving stone
FIG. 5 is a left side elevation of the Arizona paving stone
FIG. 6 is a top plan view of the Arizona paving stone, the bottom plan view being a mirror image thereof; and,
FIG. 7 is a top plan view depicting how the Arizona paving stone interlocks with other Arizona paving stones in a preferred environment.
The broken lines in FIG. 7 depict environment only and form no part of the claimed design.

1 Claim, 4 Drawing Sheets

(56) **References Cited**
U.S. PATENT DOCUMENTS

- 5,625,990 A * 5/1997 Hazlett B44C 3/12
404/42
- D509,596 S * 9/2005 Cant D25/113
- D541,435 S * 4/2007 Wissman D25/113
- D541,436 S * 4/2007 Wissman D25/113
- D556,918 S * 12/2007 Woodring D25/113
- D578,658 S * 10/2008 Keys D25/113
- D578,659 S * 10/2008 Keys D25/113
- D578,660 S * 10/2008 Keys D25/113
- D660,982 S * 5/2012 Thomassen D25/113
- D675,345 S * 1/2013 Von Langsdorff D25/113
- D686,346 S * 7/2013 Riccobene D25/113
- D690,437 S * 9/2013 Burnquist D25/113
- D695,915 S * 12/2013 Dignard D25/113
- D695,916 S * 12/2013 Dignard D25/113
- D695,917 S * 12/2013 Dignard D25/113



(56)

References Cited

U.S. PATENT DOCUMENTS

D736,952 S * 8/2015 Thomassen D25/113
D737,523 S * 8/2015 Strbik, III D29/101.3
D738,534 S * 9/2015 Thomassen D25/113

* cited by examiner

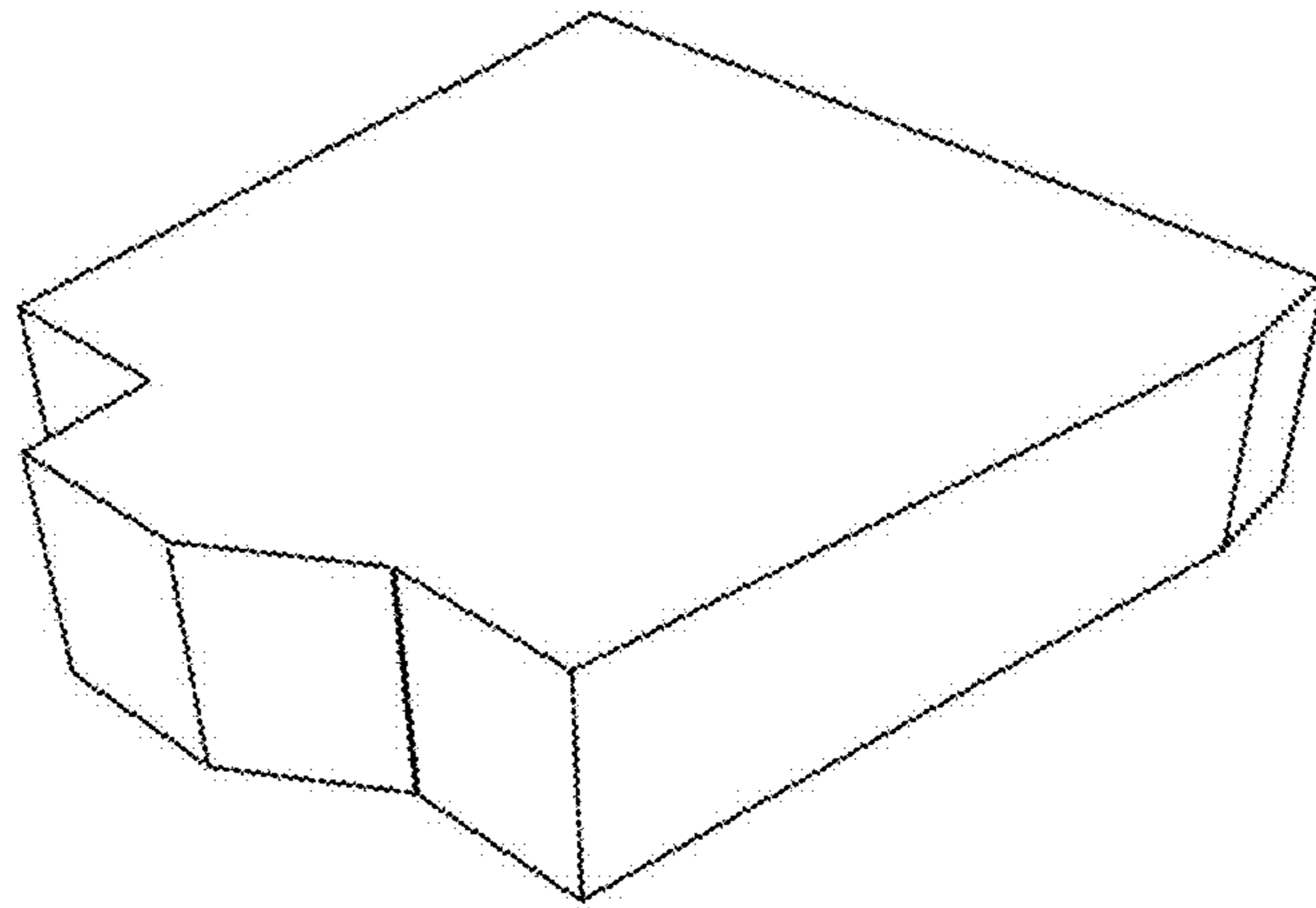


Figure 1



Figure 2



Figure 3

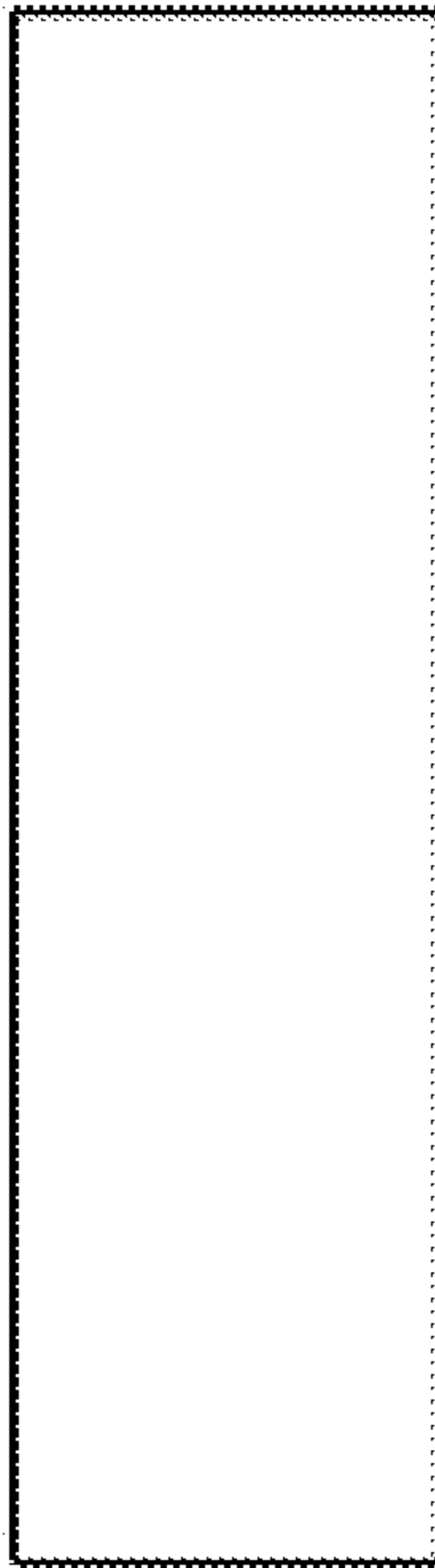


Figure 4

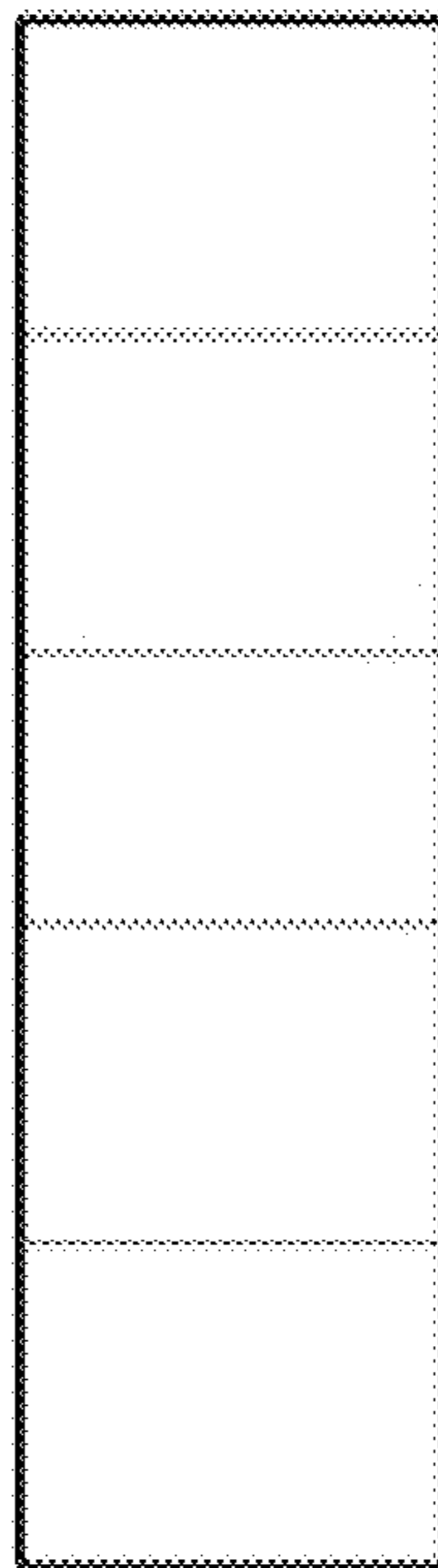


Figure 5

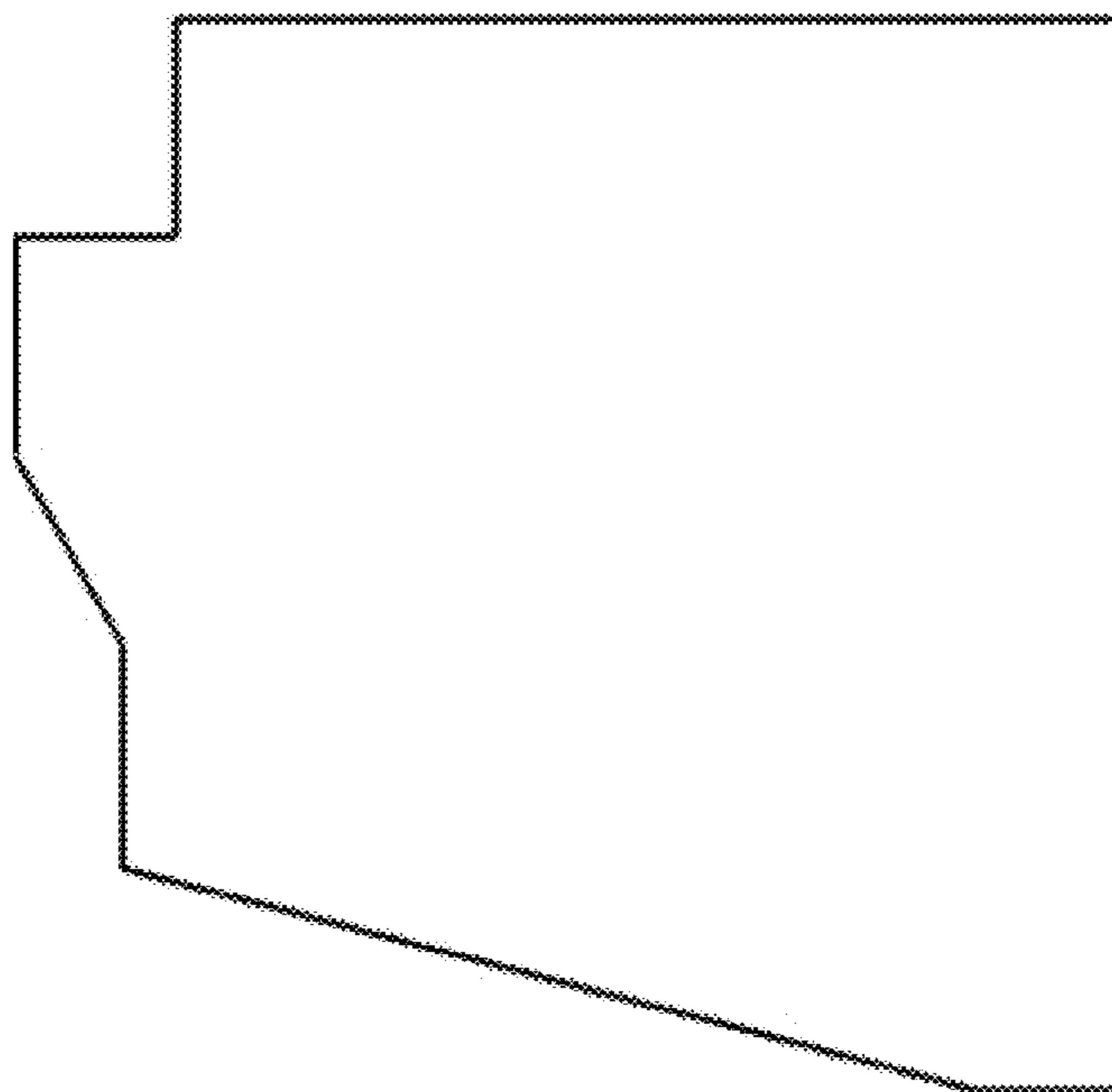


Figure 6

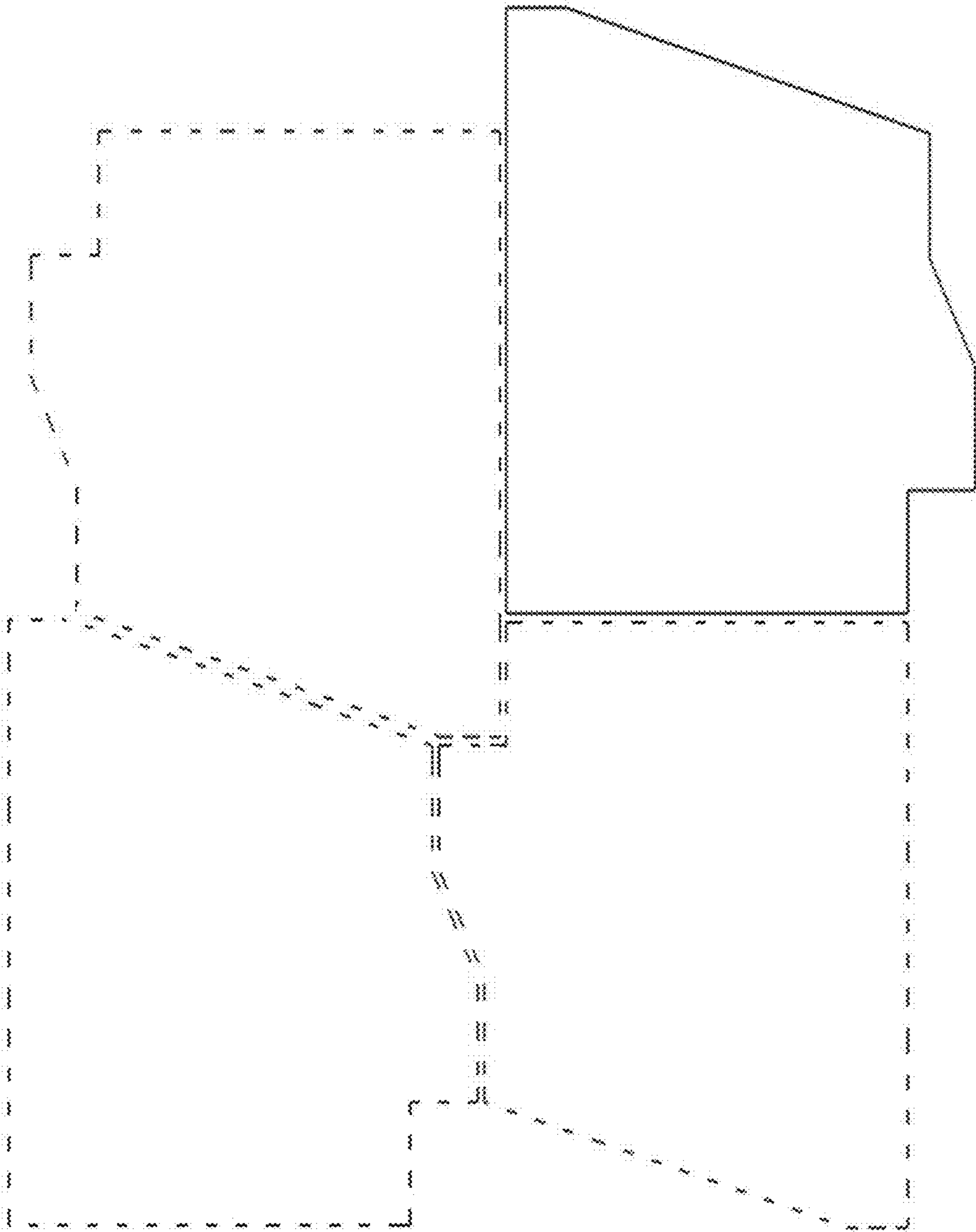


FIG. 7