



US00D773690S

(12) **United States Design Patent** (10) **Patent No.:** **US D773,690 S**
Vogel-Martin et al. (45) **Date of Patent:** **** Dec. 6, 2016**

(54) **PILLAR FOR VACUUM INSULATED GLASS UNIT**

(71) Applicant: **3M INNOVATIVE PROPERTIES COMPANY**, St. Paul, MN (US)

(72) Inventors: **Margaret M. Vogel-Martin**, Forest Lake, MN (US); **Gordon A. Kuhnley**, St. Paul, MN (US)

(73) Assignee: **3M INNOVATIVE PROPERTIES COMPANY**, Saint Paul, MN (US)

(**) Term: **14 Years**

(21) Appl. No.: **29/520,196**

(22) Filed: **Mar. 12, 2015**

(51) **LOC (10) Cl.** **25-01**

(52) **U.S. Cl.**
USPC **D25/48.7; D8/354**

(58) **Field of Classification Search**
USPC D8/354, 373, 400; D12/183; D25/48.7, D25/48.8, 103; 52/786.13; 72/47, 204; 248/188.1, 346.01, 346.02, 363, 901; 428/34, 210, 375, 376, 379, 389, 434
CPC E06B 3/6612; E06B 3/66304; Y10T 428/294; Y10T 428/2933; Y10T 428/2935; Y10T 428/2958
See application file for complete search history.

(56) **References Cited**

U.S. PATENT DOCUMENTS

5,657,607 A * 8/1997 Collins E06B 3/6612
428/34
5,891,536 A * 4/1999 Collins B32B 17/10055
428/120
6,372,312 B1 * 4/2002 Aggas E06B 3/6612
428/34
6,387,460 B1 * 5/2002 Shukuri E06B 3/6612
428/34

6,479,112 B1 * 11/2002 Shukuri E06B 3/6612
156/109
6,497,931 B1 * 12/2002 Aggas E06B 3/6612
428/34
6,503,583 B2 * 1/2003 Nalepka E06B 3/6612
156/109
6,946,171 B1 * 9/2005 Aggas E06B 3/6612
156/109
6,966,208 B1 * 11/2005 Collins B21F 45/00
72/204
D559,080 S * 1/2008 Boote D8/354
(Continued)

OTHER PUBLICATIONS

Collins, "Measurement of local heat flow in flat evacuated glazing," International Journal Heat Mass Transfer, 1993, vol. 36, No. 10, pp. 2553.

(Continued)

Primary Examiner — Susan Bennett Hattan

Assistant Examiner — Leanne Was

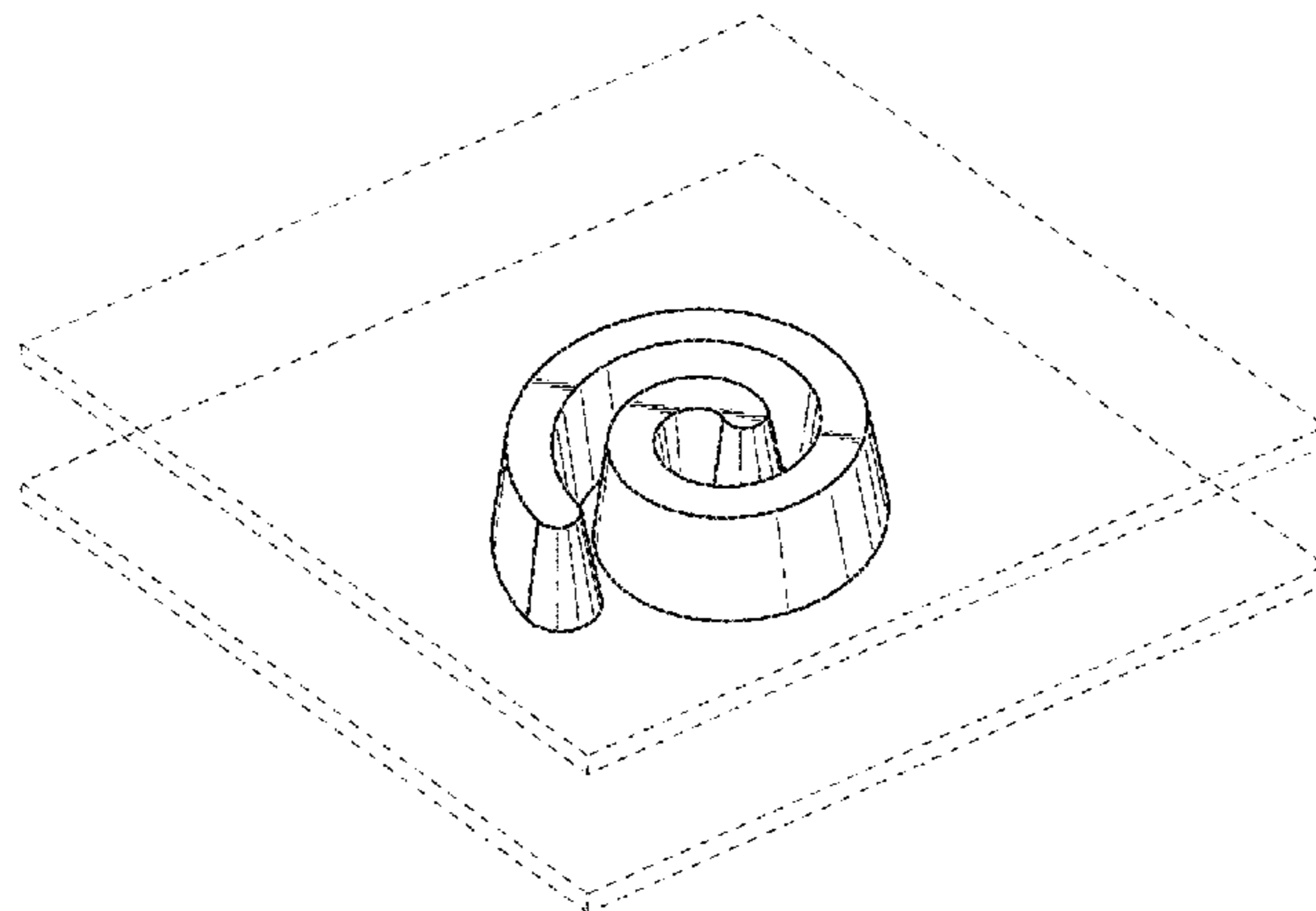
(57) **CLAIM**

The ornamental design for a pillar for vacuum insulated glass unit, as shown and described.

DESCRIPTION

FIG. 1 is a perspective view of the new design for a pillar for vacuum insulated glass unit;
FIG. 2 is a front view thereof;
FIG. 3 is a rear view thereof;
FIG. 4 is a left side view thereof;
FIG. 5 is a right side view thereof;
FIG. 6 is a top view thereof;
FIG. 7 is a bottom view thereof; and,
FIG. 8 is a perspective view showing the pillar in use between two panes of glass in a portion of a vacuum insulated glass unit.
Broken lines are used to show a portion of a vacuum insulated glass unit that forms no part of the claimed design.

1 Claim, 3 Drawing Sheets



(56)

References Cited

U.S. PATENT DOCUMENTS

D616,725 S * 6/2010 Burns D8/354
 D623,045 S * 9/2010 Moncade D8/354
 7,989,040 B2 * 8/2011 Stark E06B 3/6604
 156/109
 D645,732 S * 9/2011 Burns D8/374
 8,181,409 B1 * 5/2012 Jones E04F 21/0092
 33/526
 8,679,271 B2 * 3/2014 Veerasamy E06B 3/6612
 156/109
 D750,467 S * 3/2016 Hill D8/349
 9,366,071 B1 * 6/2016 Petit E06B 3/6612
 9,371,683 B2 * 6/2016 Dennis E06B 3/6612
 9,410,358 B2 * 8/2016 Raggio E06B 3/66304
 2001/0012545 A1 * 8/2001 Nalepka E06B 3/6612
 428/34
 2002/0168506 A1 * 11/2002 Ishii C08L 71/00
 428/297.4
 2005/0166546 A1 * 8/2005 Reichert E06B 3/6604
 52/786.13
 2009/0155499 A1 * 6/2009 Cooper E06B 3/6612
 428/34

2010/0260950 A1 * 10/2010 Tang E06B 3/66304
 428/34.4
 2012/0088045 A1 * 4/2012 Veerasamy E06B 3/6612
 428/34
 2013/0074445 A1 * 3/2013 Jones E06B 3/6775
 52/786.13
 2015/0079313 A1 * 3/2015 Vogel-Martin E06B 3/6612
 428/34
 2015/0300077 A1 * 10/2015 Veerasamy E06B 3/66357
 428/34
 2016/0138324 A1 * 5/2016 Lameris E06B 3/6612
 52/786.13

OTHER PUBLICATIONS

Kocer, "Vacuum Glazing; a thermally insulating window technology," Environmental Energy Technologies Division seminar, Lawrence Berkeley Laboratories, May 31, 2012, pp. 1-34.
 Wilson, "Heat conduction through the support pillars in vacuum glazing," Solar Energy, 1998, vol. 63, No. 6, pp. 393-406.

* cited by examiner

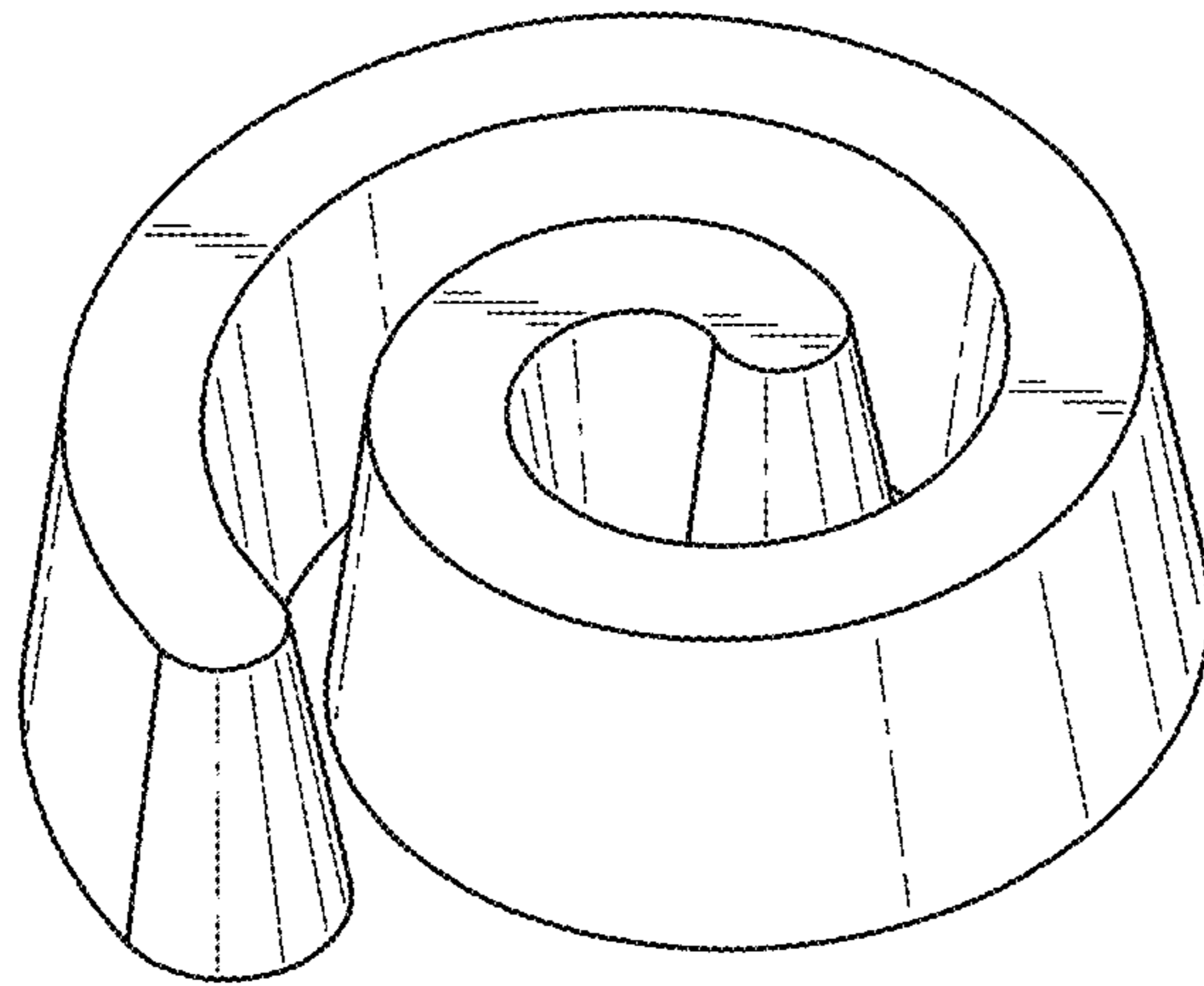


Fig. 1



Fig. 2



Fig. 3

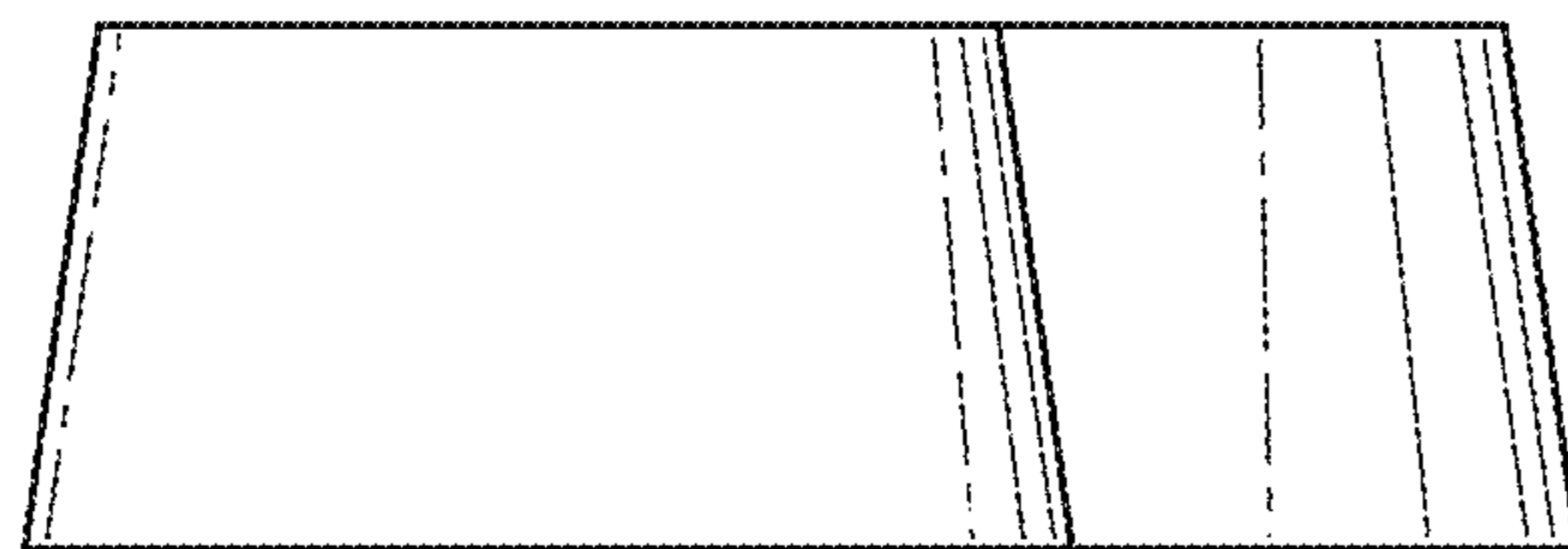


Fig. 4



Fig. 5

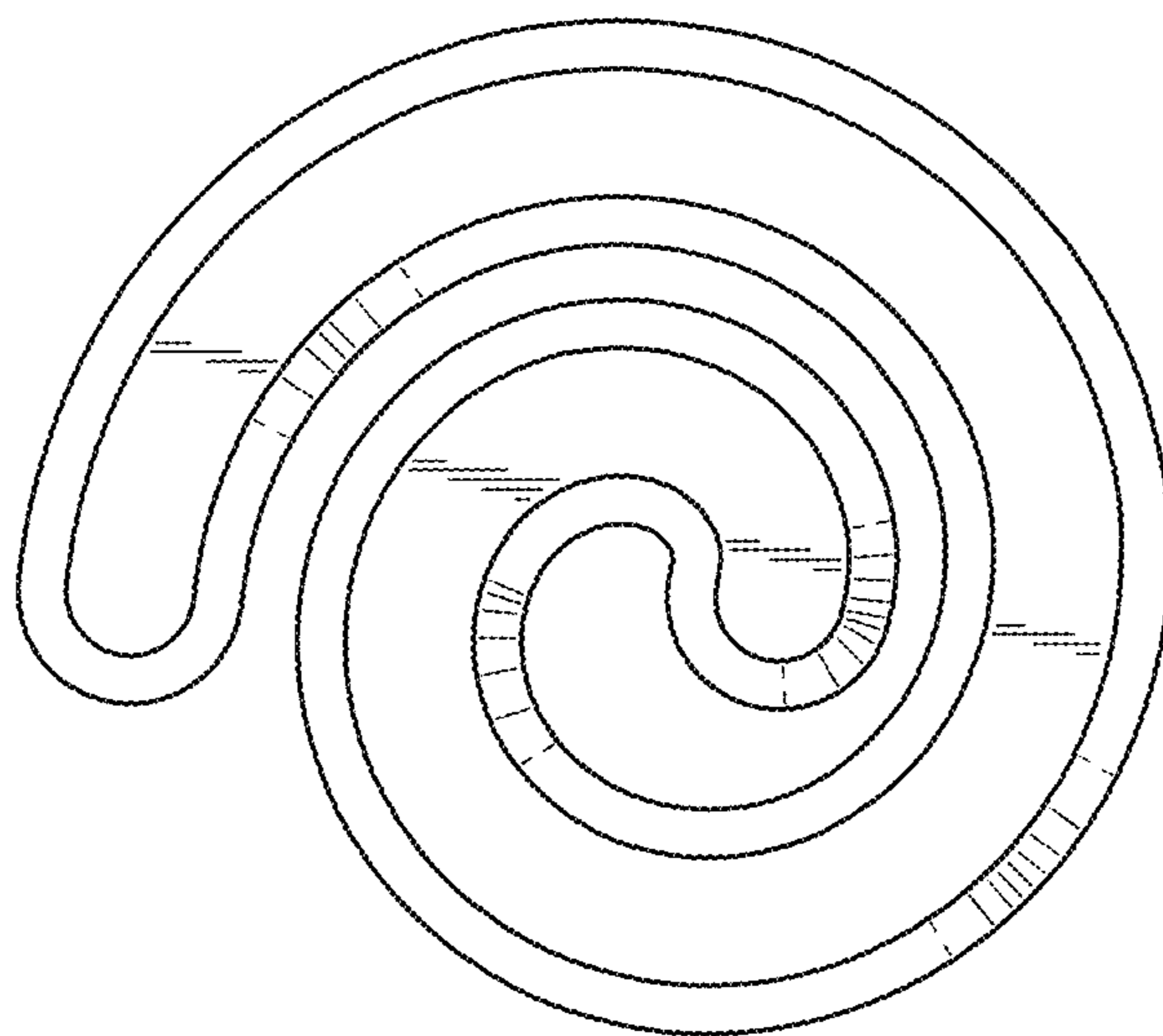


Fig. 6

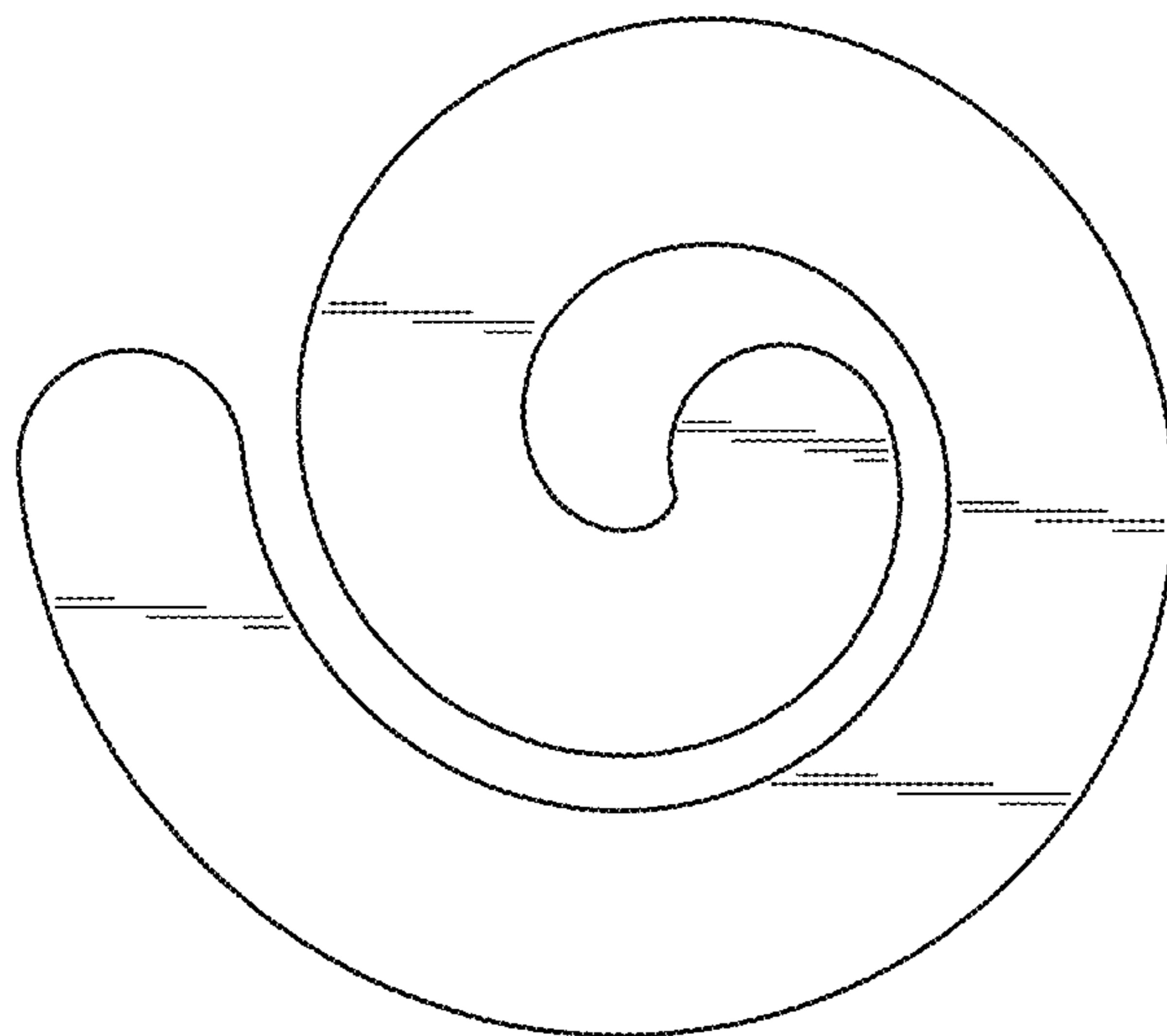


Fig. 7

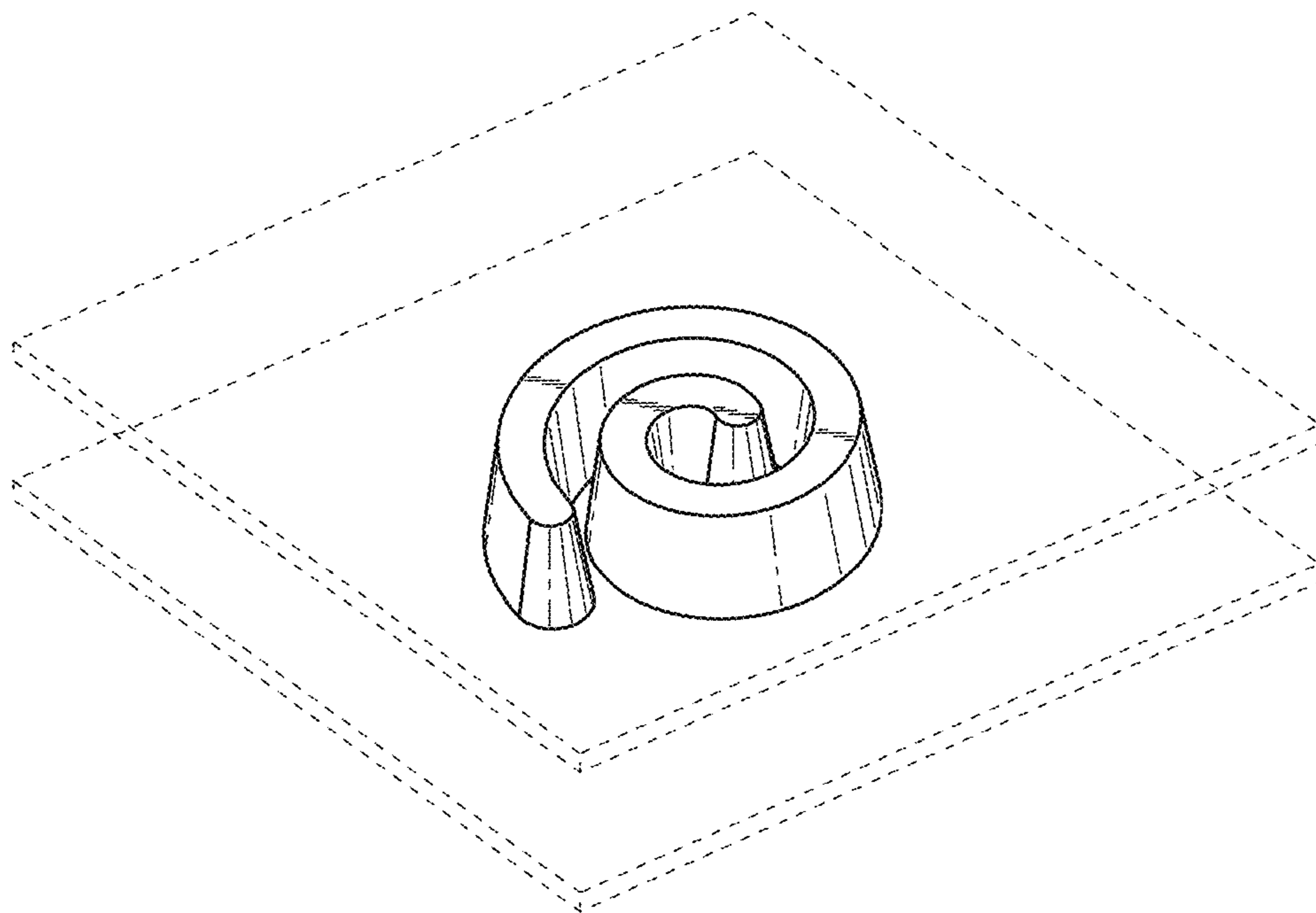


Fig. 8