



US00D773688S

(12) **United States Design Patent**
Lindstedt

(10) **Patent No.:** **US D773,688 S**

(45) **Date of Patent:** **** Dec. 6, 2016**

(54) **DOOR JAMB REPAIR DEVICE**

(71) Applicant: **Bradley B Lindstedt**, Damascus, OR
(US)

(72) Inventor: **Bradley B Lindstedt**, Damascus, OR
(US)

(**) Term: **14 Years**

(21) Appl. No.: **29/508,530**

(22) Filed: **Nov. 7, 2014**

(51) **LOC (10) Cl.** **25-02**

(52) **U.S. Cl.**
USPC **D25/48.2**

(58) **Field of Classification Search**
USPC D25/48.2, 48.3, 48, 119, 124; 49/467,
49/462, 470, 148, 149, 182; 52/37, 210,
211, 52/213, 217, 656.5, 204.1, 749.13,
582.1
CPC E06B 1/10; E06B 1/70; E06B 1/347;
E06B 1/56; E04G 3/88; E05B 1/00; E05B
15/00; E05B 15/02; E05Y
2900/132; E05Y 2800/00; E05Y 2800/70
See application file for complete search history.

(56) **References Cited**

U.S. PATENT DOCUMENTS

- 306,806 A * 10/1884 Barnes B60R 13/043
292/1
- 1,238,924 A * 9/1917 Kennedy E05B 15/0245
292/341.19
- 1,277,319 A * 8/1918 Joice E04F 15/02
52/578
- 1,863,487 A * 6/1932 Kirkpatrick E05B 17/2084
292/346
- 2,127,891 A * 8/1938 Starling E05B 17/2003
292/341.18

- 2,217,891 A * 10/1940 Cridlebaugh A01K 37/00
119/715
- 2,486,772 A * 11/1949 Wuerl E05B 15/025
292/341.18
- 2,616,531 A * 11/1952 Young E06B 3/4654
52/211
- 2,695,808 A * 11/1954 Manchester E05B 15/0245
292/341.18

(Continued)

FOREIGN PATENT DOCUMENTS

- GB 2091328 * 7/1982
- JP 2009243180 * 10/2009 E06B 1/56

OTHER PUBLICATIONS

Rebar Door Security Device, Kickproof.com, [online], [site visited Aug. 26, 2016]. <URL: <http://kickproof.com/>>.*

(Continued)

Primary Examiner — T. Chase Nelson
Assistant Examiner — Jonathan J Han
(74) *Attorney, Agent, or Firm* — Mark S Hubert

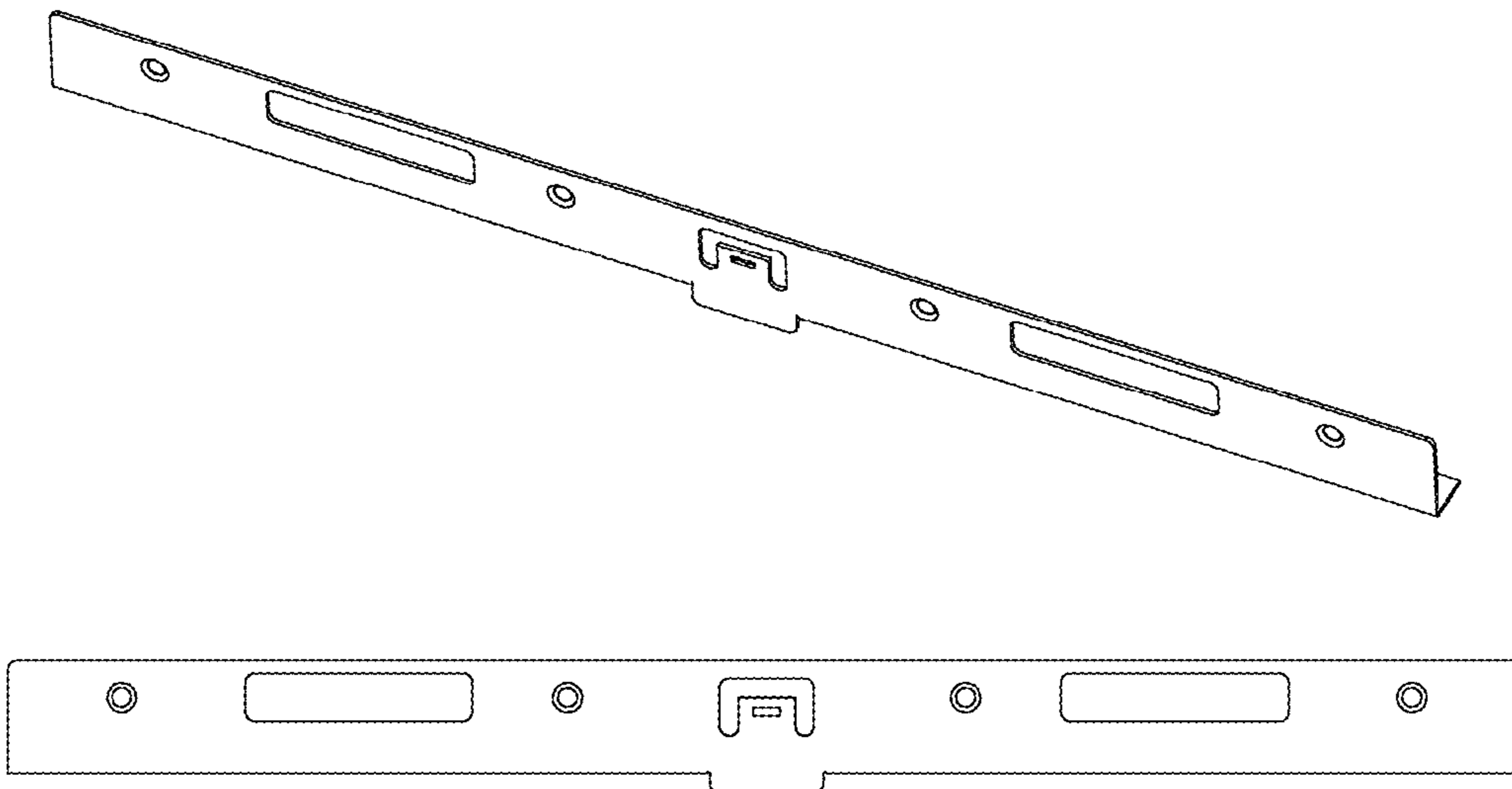
(57) **CLAIM**

I claim the ornamental design for the door jamb repair device, as shown and described.

DESCRIPTION

FIG. 1 is a front perspective view of the door jamb repair device;
FIG. 2 is a front view of the door jamb repair device;
FIG. 3 is top view of the door jamb repair device;
FIG. 4 is a left-side view of door jamb repair device;
FIG. 5 is a rear view of the door jamb repair device;
FIG. 6 is a right-side view of the door jamb repair device;
and,
FIG. 7 is a bottom view of the door jamb repair device.

1 Claim, 3 Drawing Sheets



(56)

References Cited

U.S. PATENT DOCUMENTS

2,726,892 A *	12/1955	Zynda	E05B 63/18 292/1	5,076,626 A *	12/1991	Tiddy	E05B 15/02 292/1
3,007,732 A *	11/1961	Schlage	E05B 15/0255 292/341.12	5,094,489 A *	3/1992	Jones	E05B 15/0205 292/340
3,241,873 A *	3/1966	Russell	E05B 15/0205 292/340	5,114,285 A *	5/1992	Brydon	B23B 47/287 144/144.51
3,257,139 A *	6/1966	Russell	E05B 15/0245 292/341.18	5,171,050 A *	12/1992	Mascotte	E05B 15/025 292/340
3,316,007 A *	4/1967	Russell	E05B 15/0255 292/341.12	5,222,845 A *	6/1993	Goldstein	B23B 47/287 408/103
3,506,293 A *	4/1970	Armstrong	E05B 15/0245 292/341.19	5,241,790 A *	9/1993	Schimpf	E05B 17/2084 292/340
3,524,669 A *	8/1970	Reid	E05B 17/2003 292/346	5,344,198 A *	9/1994	Elliott	E05B 17/2088 292/340
3,792,893 A *	2/1974	Grotnes	B65D 45/32 292/256.61	D354,572 S *	1/1995	Headrick	D25/48.2
3,939,752 A *	2/1976	Koscik	F16B 21/088 411/508	5,456,507 A *	10/1995	Jones	E05B 15/0205 292/340
3,963,269 A *	6/1976	Rosenberg	E05B 17/2088 292/304	5,474,347 A *	12/1995	Vigneault	E05B 17/2084 292/340
4,045,065 A *	8/1977	Johnson	E05B 63/24 292/341.12	D372,191 S *	7/1996	Bennett	D8/366
4,074,484 A *	2/1978	Queren	E05B 15/0205 292/346	5,566,509 A *	10/1996	Long	E05B 15/0205 292/340
4,105,235 A *	8/1978	Thiel	E05B 15/0245 292/341.18	5,566,995 A *	10/1996	Jagiela	E05B 15/0205 292/340
D251,507 S *	4/1979	Maricic	D12/159	D375,446 S *	11/1996	Nelson	D8/343
4,195,870 A *	4/1980	Percoco	E05B 15/0205 292/340	D376,856 S *	12/1996	DiGiorgio	D25/124
RE30,326 E *	7/1980	van Buren, Jr.	H04R 1/023 220/323	5,581,948 A *	12/1996	Simonsen	E05B 15/0205 16/388
4,223,494 A *	9/1980	Wendt	E06B 1/52 49/504	5,586,796 A *	12/1996	Fraser	E05B 15/0205 292/340
4,281,480 A *	8/1981	Wendt	E06B 1/34 49/504	5,645,330 A *	7/1997	Artwohl	A47F 3/0426 312/116
D262,059 S *	11/1981	Bittner	D25/119	5,893,243 A *	4/1999	Ortner	E06B 1/522 52/211
4,415,191 A *	11/1983	Thorp	E05B 15/0205 292/340	5,915,764 A *	6/1999	MacDonald	E05B 17/2007 292/36
4,416,087 A *	11/1983	Ghatak	E05B 15/0205 292/346	5,934,024 A *	8/1999	Simpson	E05B 15/0205 49/394
4,438,597 A *	3/1984	Maggart	E05D 7/04 16/242	6,085,465 A *	7/2000	Olberding	E05B 15/0205 49/460
4,489,517 A *	12/1984	Young	E05D 7/02 49/382	6,176,527 B1 *	1/2001	Bench	E05B 63/242 292/33
D283,299 S *	4/1986	Mazie	292/340	6,185,881 B1 *	2/2001	Olberding	E05B 15/0205 52/204.1
4,631,866 A *	12/1986	Otto	E06B 1/32 292/341.19	D463,575 S *	9/2002	Daudet	D25/61
4,635,399 A *	1/1987	Gehrke	E05B 15/0245 292/346	6,679,004 B1 *	1/2004	Olberding	E05B 15/0205 49/460
4,640,052 A *	2/1987	Zebedee	E05D 11/0018 16/388	6,691,466 B2 *	2/2004	Childress	B60J 5/042 49/460
4,673,204 A *	6/1987	Allenbaugh	E05B 17/2084 292/337	6,698,807 B1 *	3/2004	Wacker	E05B 17/005 292/1
4,690,445 A *	9/1987	Hartley	E05B 15/0205 292/147	6,834,897 B1 *	12/2004	Walker	E05B 15/0205 292/340
4,717,185 A *	1/1988	Hartley	E05B 15/0205 292/340	6,901,706 B2 *	6/2005	Olberding	E05B 15/0205 49/460
4,720,129 A *	1/1988	Bouchard	E05B 17/2003 292/346	7,000,959 B2 *	2/2006	Sanders	E05B 15/0245 292/340
4,813,826 A *	3/1989	Riedel	B27F 5/12 33/197	D527,114 S *	8/2006	Hamill	D25/124
4,858,384 A *	8/1989	Blankenship	E06B 5/113 49/460	7,421,791 B2 *	9/2008	Adkins	B23B 47/287 33/197
4,869,087 A *	9/1989	Day	E05B 17/2084 292/346	7,421,829 B2 *	9/2008	Gwynn	E04F 21/18 52/749.1
4,947,606 A *	8/1990	La See	E06B 5/162 49/171	7,866,113 B2 *	1/2011	Young	E05B 15/0205 292/346
4,953,901 A *	9/1990	Hegdahl	E05B 15/0205 292/340	8,132,832 B2 *	3/2012	Anderson	E05B 15/0205 292/340
5,070,650 A *	12/1991	Anderson	E05B 15/0205 292/340	8,166,707 B2 *	5/2012	Franschman	E06B 1/52 292/346
				D710,033 S *	7/2014	Shetler	D25/136
				8,769,875 B1 *	7/2014	Scoggins	E06B 1/70 49/467
				D713,974 S *	9/2014	Steffes	D25/61
				8,904,713 B1 *	12/2014	Anderson	E05B 17/2084 292/340
				8,938,915 B2 *	1/2015	Jones	E05B 17/2084 292/346

(56)

References Cited

U.S. PATENT DOCUMENTS

9,016,736 B1 * 4/2015 Anderson E05B 15/0205
 292/288
 D736,408 S * 8/2015 Lindstedt D25/48.2
 D742,035 S * 10/2015 Steffes D25/61
 2005/0011132 A1 * 1/2005 Griffin, Jr. E05B 9/002
 49/460
 2005/0055978 A1 * 3/2005 Visser E06B 1/70
 52/749.1
 2006/0214437 A1 * 9/2006 Farzan E05B 15/0205
 292/340
 2007/0261312 A1 * 11/2007 Kuppler A62C 3/14
 49/470
 2007/0273164 A1 * 11/2007 Young E05B 15/0205
 292/340
 2008/0089752 A1 * 4/2008 Rusiana B23B 47/287
 408/115 R
 2008/0224486 A1 * 9/2008 Anderson E05B 15/0205
 292/340
 2008/0229548 A1 * 9/2008 Kimener B21C 23/035
 16/96 R
 2008/0284182 A1 * 11/2008 Canerdy, Jr. E05B 15/0205
 292/346

2010/0126088 A1 * 5/2010 Young E05B 9/002
 52/204.2
 2010/0251786 A1 * 10/2010 Tsai E05C 9/004
 70/101
 2012/0181801 A1 * 7/2012 Willis E05B 15/0205
 292/338
 2013/0074414 A1 * 3/2013 Jones E05B 17/2084
 49/462
 2015/0252595 A1 * 9/2015 Hagemeyer E05C 1/02
 292/138

OTHER PUBLICATIONS

Fix-a-Jamb Interior Satin Nickle Kit, Lowe's, [online], [site visited Aug. 26, 2016]. <URL: <http://www.lowes.com/pd/FIX-A-JAMB-Fix-a-Jamb-Interior-Satin-Nickel-Kit/50243315>>.*
 Door Armor Mini Combo Set, Amazon.com, Date First Available: Jul. 21, 2014, [online], [site visited Aug. 25, 2016], <URL: https://www.amazon.com/Door-Armor-Mini-Combo-Set/dp/B00LSWF6AS/ref=sr_1_51?s=hi&ie=UTF8&qid=1472236968&sr=1-51-spons&keywords=door+jamb+kit&psc=1>.*

* cited by examiner

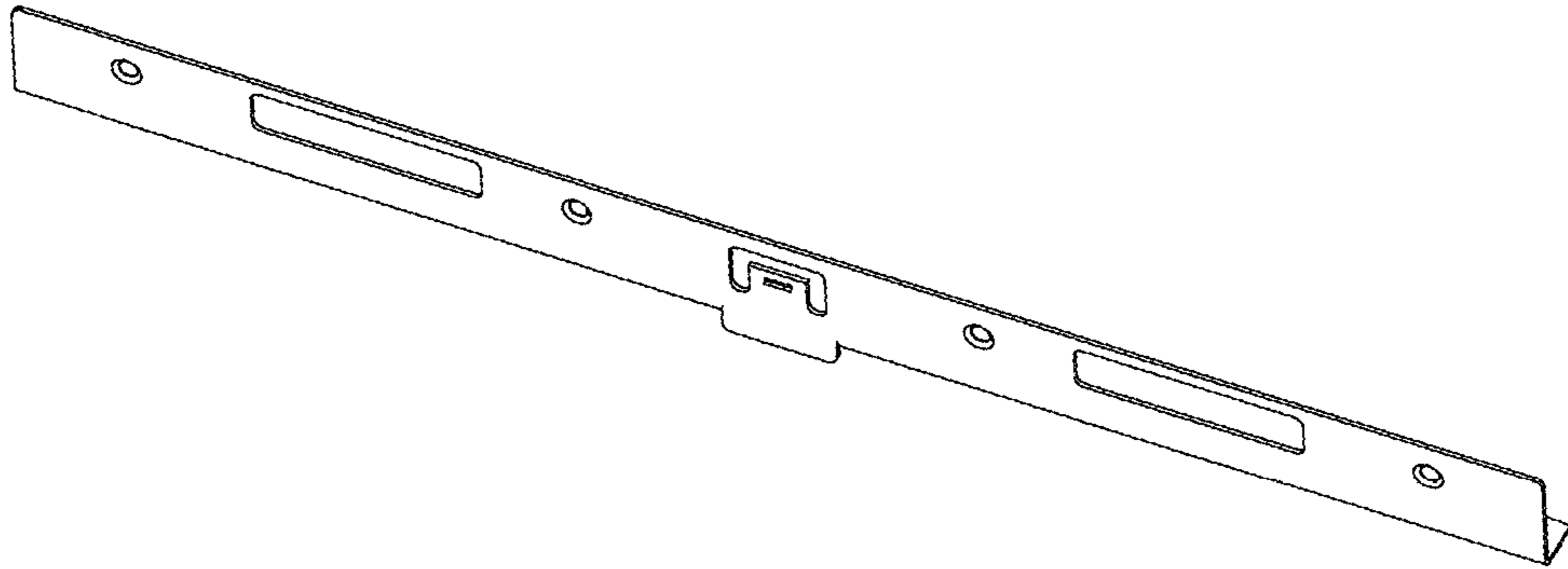


FIG. 1

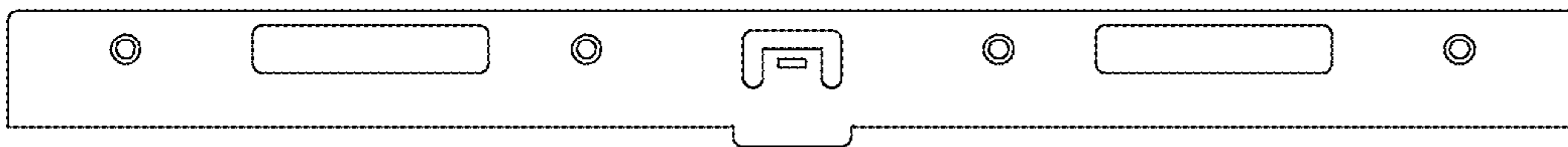


FIG. 2



FIG. 3



FIG. 4

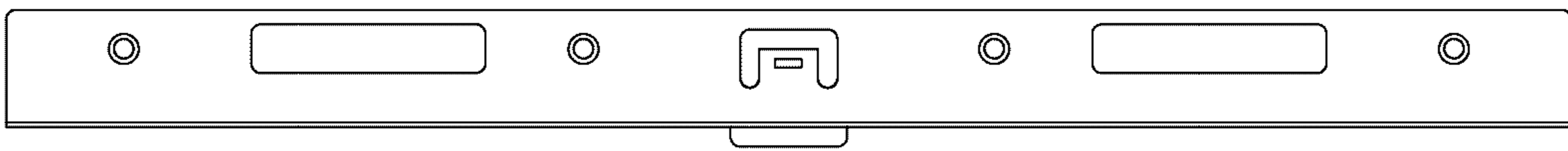


FIG. 5

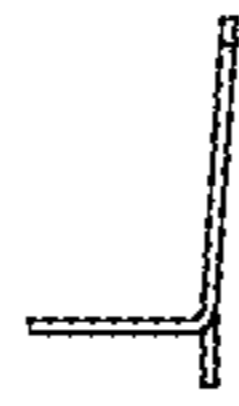


FIG. 6

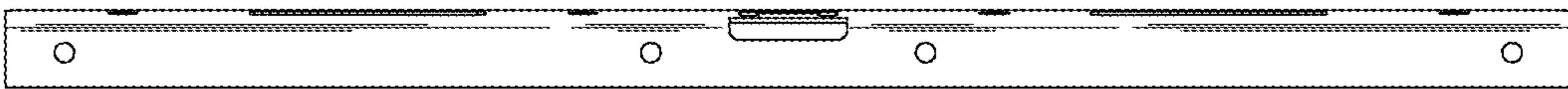


FIG. 7