



US00D773687S

(12) **United States Design Patent** (10) **Patent No.:** **US D773,687 S**  
**Scannell** (45) **Date of Patent:** **\*\* Dec. 6, 2016**

(54) **CABLE GUARDRAIL SECURITY DEVICE**

(71) Applicant: **Thomas Scannell**, Philadelphia, PA  
(US)

(72) Inventor: **Thomas Scannell**, Philadelphia, PA  
(US)

(\*\*) Term: **14 Years**

(21) Appl. No.: **29/504,939**

(22) Filed: **Oct. 10, 2014**

(51) **LOC (10) Cl.** ..... **25-01**

(52) **U.S. Cl.**  
USPC ..... **D25/45**

(58) **Field of Classification Search**  
USPC ..... D25/38.1, 41.1, 45, 62, 119, 124,  
131,D25/133, 164; D8/373, 382; 256/54,  
59, 64, 256/65.01–65.08, 65.13–65.16,  
68; 403/73, 187  
CPC ..... F16B 7/0486; Y10T 403/39; Y10T  
403/32172; E04F 11/1834  
See application file for complete search history.

(56) **References Cited**

**U.S. PATENT DOCUMENTS**

2,991,095	A *	7/1961	Wagner	.....	F16B 7/0486
					403/187
3,648,982	A *	3/1972	Sabel	.....	E04F 11/1834
					256/22
D321,960	S *	11/1991	Nicholas	.....	D32/35
D372,991	S *	8/1996	Ramsey	.....	D25/164
D495,434	S *	8/2004	Cooper	.....	D25/133

D517,179	S *	3/2006	Chan	.....	D23/304
D589,785	S *	4/2009	Scotti	.....	D8/382
D716,896	S *	11/2014	Blackwood	.....	D21/811
D742,652	S *	11/2015	Babikian	.....	D6/332

\* cited by examiner

*Primary Examiner* — Susan Bennett Hattan

*Assistant Examiner* — Leanne Was

(74) *Attorney, Agent, or Firm* — Frank J. Bonini, Jr.;  
John F. A. Earley, III; Harding, Earley, Follmer & Frailey,  
P.C.

(57) **CLAIM**

The ornamental design for a cable guardrail security device,  
as shown and described.

**DESCRIPTION**

FIG. 1 is a perspective view of a cable guardrail security device, shown with a lock installed thereon to represent an exemplary environment of use.

FIG. 2 is a right side elevation view thereof, the left side being a mirror image thereof;

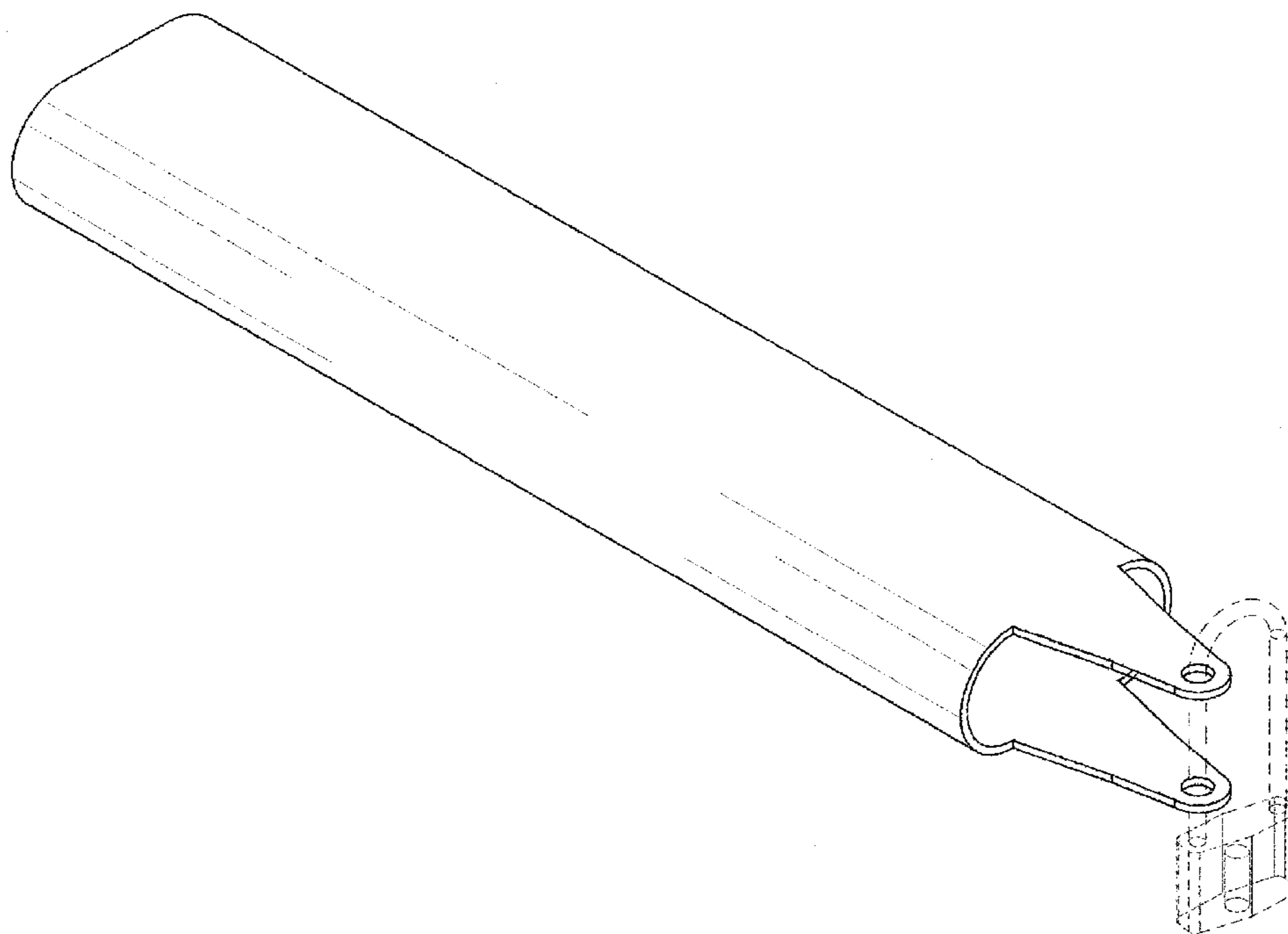
FIG. 3 is a top plan view thereof, the bottom plan view being a mirror image thereof;

FIG. 4 is a rear elevation view thereof; and,

FIG. 5 is a front elevation view thereof.

The broken lines depict a portion of the cable guardrail security device that forms no part of the claimed design. The lock is shown in FIG. 1, in broken line representation, to illustrate environmental structure and forms no part of the claimed design.

**1 Claim, 2 Drawing Sheets**



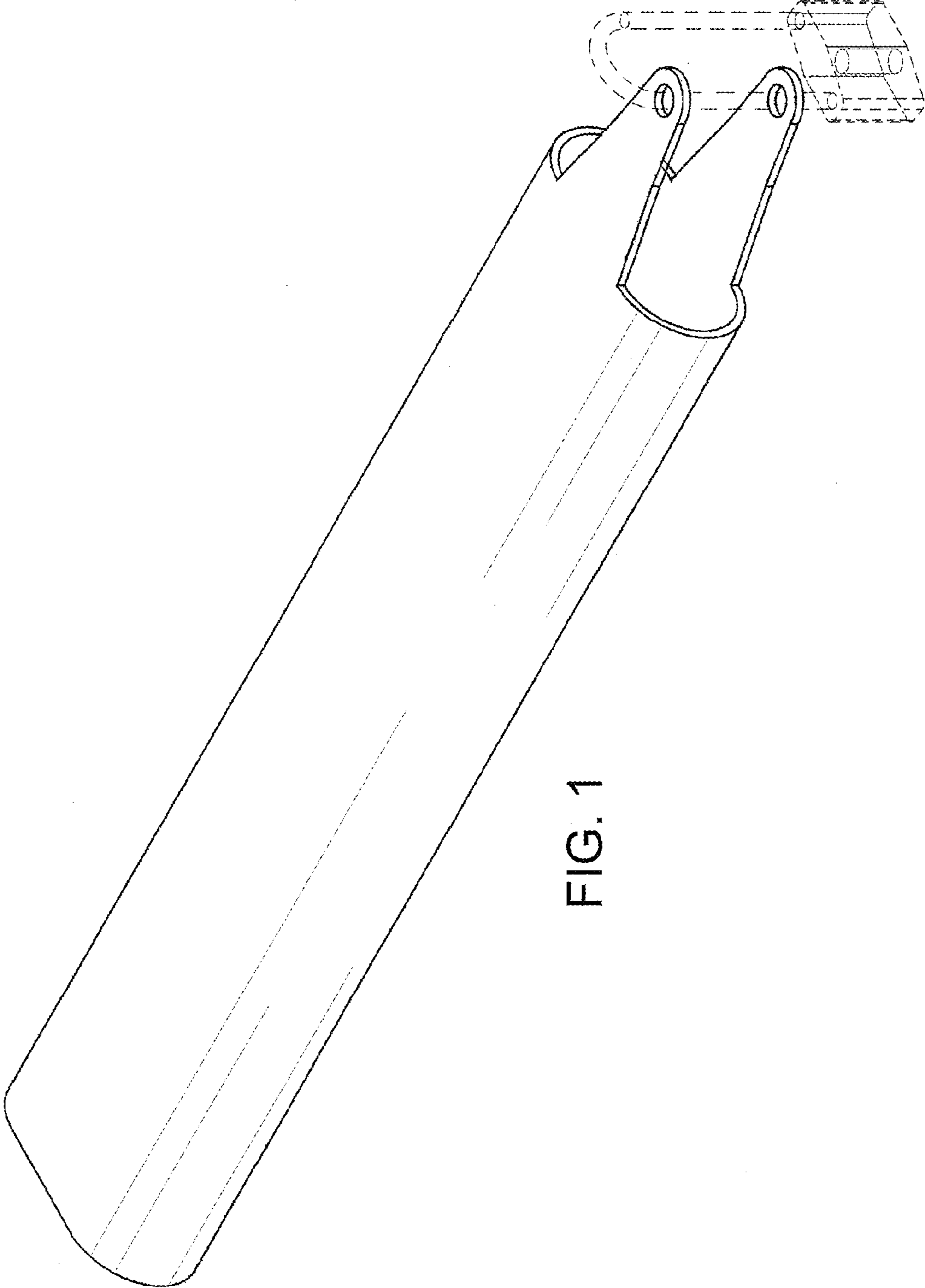


FIG. 1

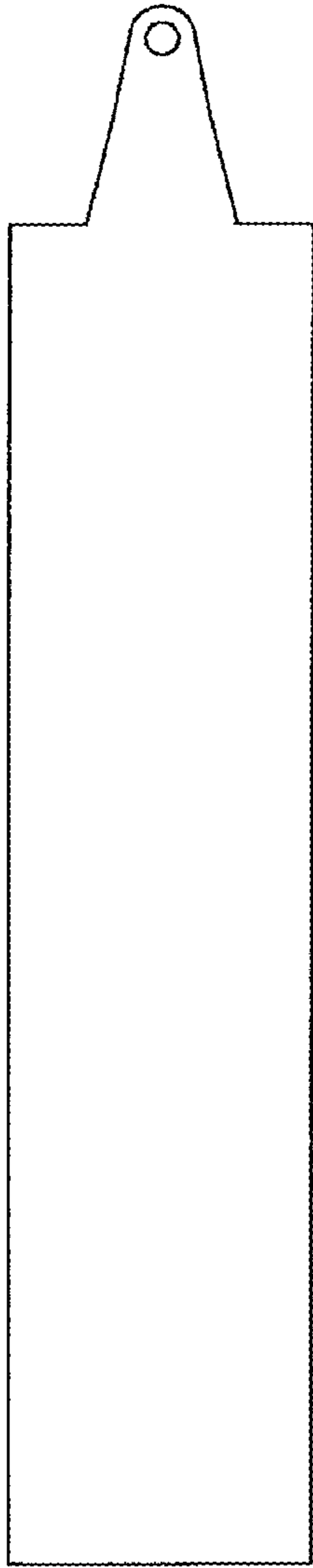


FIG. 3

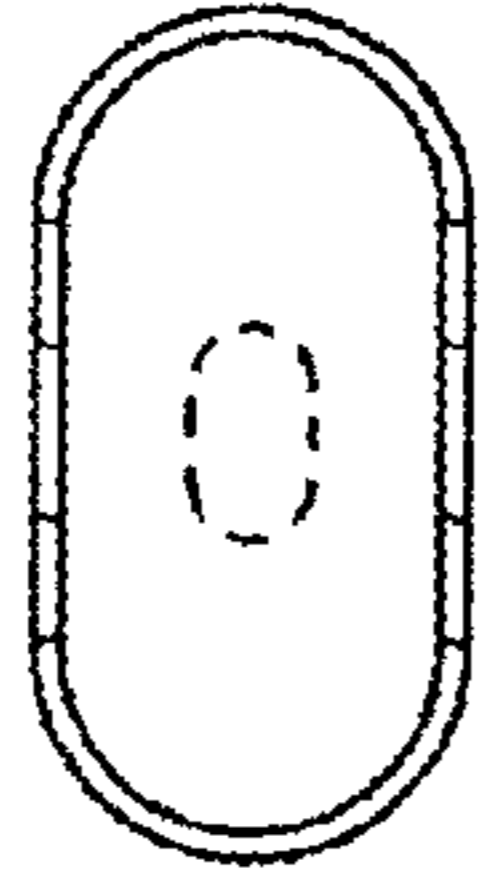


FIG. 5

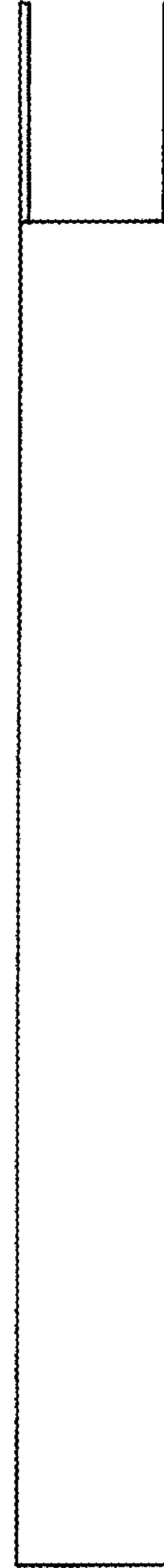


FIG. 2



FIG. 4