



US00D773682S

(12) **United States Design Patent** (10) **Patent No.:** **US D773,682 S**
Faussett (45) **Date of Patent:** **** Dec. 6, 2016**

(54) **ROLLING MUSCLE MASSAGER**
(71) Applicant: **Polar Fusion LLC**, Kent, WA (US)
(72) Inventor: **Spring S. Faussett**, Kent, WA (US)
(73) Assignee: **Polar Fusion LLC**, Kent, WA (US)
(**) Term: **15 Years**
(21) Appl. No.: **29/534,726**
(22) Filed: **Jul. 30, 2015**

Related U.S. Application Data

(63) Continuation of application No. 13/597,124, filed on Aug. 28, 2012, now Pat. No. 9,107,795, which is a continuation of application No. 12/032,290, filed on Feb. 15, 2008, now abandoned.
(51) **LOC (10) Cl.** **28-03**
(52) **U.S. Cl.**
USPC **D24/214**
(58) **Field of Classification Search**
USPC . D24/200, 211, 212, 213, 214, 215; 601/19, 27-32, 46, 48, 52, DIG. 12, 601/DIG. 14, DIG. 15, DIG. 16, DIG. 17, 99, 112, 601/113, 118, 119, 120, 121; D30/160; D14/218; D11/26; D7/697; D12/178
CPC A61H 19/30; A61H 19/32; A61H 19/34; A61H 19/40; A61H 19/44; A61H 19/50; A61H 19/00; A61H 2201/0153; A61H 2201/0207; A61H 2201/0263; A61H 2201/0111; A61H 2201/1253; A61H 2205/082; A61H 2205/085; A61H 15/0085; A61H 15/0092

See application file for complete search history.

(56) **References Cited**
U.S. PATENT DOCUMENTS
718,594 A 1/1903 Bailey
1,609,544 A 12/1926 Hamersley et al.
1,811,764 A 6/1931 Sherwood
2,014,293 A 9/1935 Riley
2,577,129 A 12/1951 Johnston et al.
3,664,334 A 5/1972 O'Neil
3,847,144 A 11/1974 Wright
4,002,163 A 1/1977 Jackson, Jr.
4,008,715 A 2/1977 Brodbeck
4,086,922 A 5/1978 Henderson
4,345,757 A 8/1982 Lo Voi
D271,051 S * 10/1983 McCoy D21/679
4,416,166 A 11/1983 Jannard et al.
4,433,683 A * 2/1984 McCoy A63B 21/05
601/120
4,648,387 A 3/1987 Simmons
(Continued)

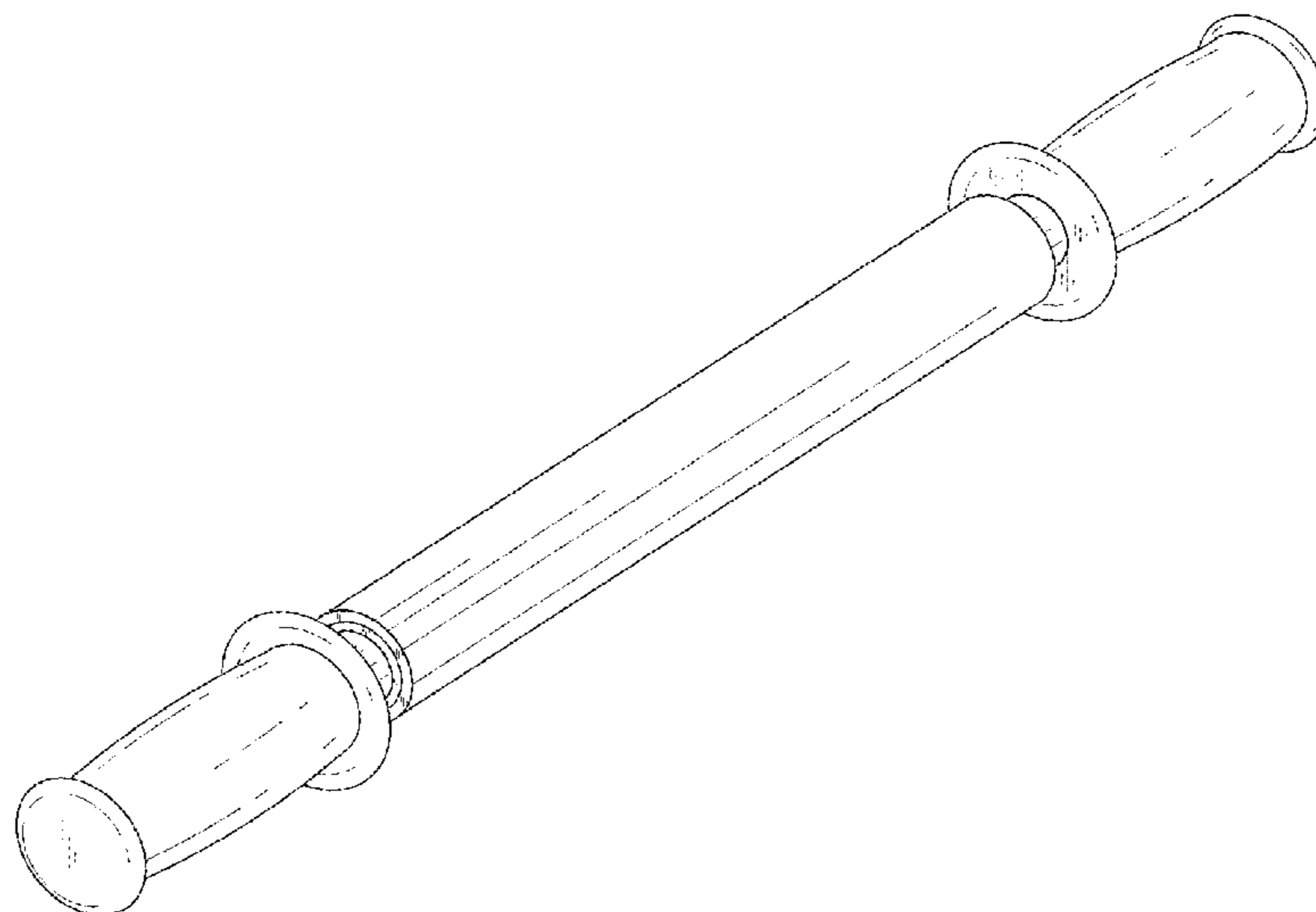
Primary Examiner — Sandra Snapp
(74) *Attorney, Agent, or Firm* — Seed Intellectual Property Law Group LLP

(57) **CLAIM**
The ornamental design for a rolling muscle massager, as shown and described.

DESCRIPTION

FIG. 1 is an isometric view of a first embodiment of a rolling muscle massager showing my new design;
FIG. 2 is a front elevation view thereof, the rear elevation, top plan and bottom plan views are identical thereto;
FIG. 3 is a left side elevation view, the right side elevation view being identical thereto;
FIG. 4 is an isometric view of a second embodiment of a rolling muscle massager showing my new design;
FIG. 5 is a front elevation view thereof, the rear elevation, top plan and bottom plan views being identical thereto; and,
FIG. 6 is a left side elevation view, the right side elevation view being identical thereto.

1 Claim, 4 Drawing Sheets



(56)

References Cited

U.S. PATENT DOCUMENTS

4,732,400	A *	3/1988	Santini	A63C 17/01 280/87.042	7,226,062	B1 *	6/2007	Stefano	A63C 17/01 280/263
4,745,909	A	5/1988	Pelton et al.		D558,343	S *	12/2007	Sisto	D24/133
4,884,560	A	12/1989	Kuracina		7,465,296	B2	12/2008	Chau	
4,945,900	A	8/1990	Masuda		D644,073	S *	8/2011	Nottke	D7/697
5,131,383	A	7/1992	Juarez		D648,034	S *	11/2011	Rice	D24/215
D347,898	S	6/1994	Belcher		D650,487	S *	12/2011	Briscoe	D24/211
D371,202	S	6/1996	Zajas et al.		D704,852	S *	5/2014	Yang	D24/211
5,577,995	A	11/1996	Walker et al.		D721,440	S *	1/2015	Pursel	D24/214
5,643,182	A	7/1997	Engel		8,998,224	B2 *	4/2015	Ngai	B60B 19/00 280/87.041
5,653,664	A	8/1997	Jennings		9,107,795	B2 *	8/2015	Faussett	A61H 15/0092
D384,158	S *	9/1997	Kain	D24/200	D738,519	S *	9/2015	Phillips	D24/211
5,709,705	A	1/1998	Belcher		D742,026	S *	10/2015	Pursel	D24/214
6,065,210	A	5/2000	Bove		D744,663	S *	12/2015	Holland	D24/211
6,135,972	A	10/2000	Kuo		D752,767	S *	3/2016	Stock	D24/214
D445,905	S *	7/2001	Hey	D24/211	D754,868	S *	4/2016	Hendrickson	D24/211
6,378,880	B1 *	4/2002	Lin	B62K 15/006 280/87.05	2001/0017450	A1 *	8/2001	Chuang	A63C 17/014 280/87.041
6,419,650	B1	7/2002	Ryan et al.		2002/0093161	A1 *	7/2002	Udwin	B62K 3/002 280/87.05
6,616,163	B2 *	9/2003	Lee	B62M 1/16 280/220	2003/0090464	A1	5/2003	Lai et al.	
6,764,454	B2 *	7/2004	Tu	A61H 39/06 601/107	2005/0096159	A1	5/2005	Houston et al.	
6,764,456	B1	7/2004	Doherty		2005/0269793	A1 *	12/2005	Mackin	B62K 3/002 280/87.041
					2006/0142677	A1	6/2006	Perez	
					2007/0129654	A1	6/2007	Anderson, Jr.	

* cited by examiner

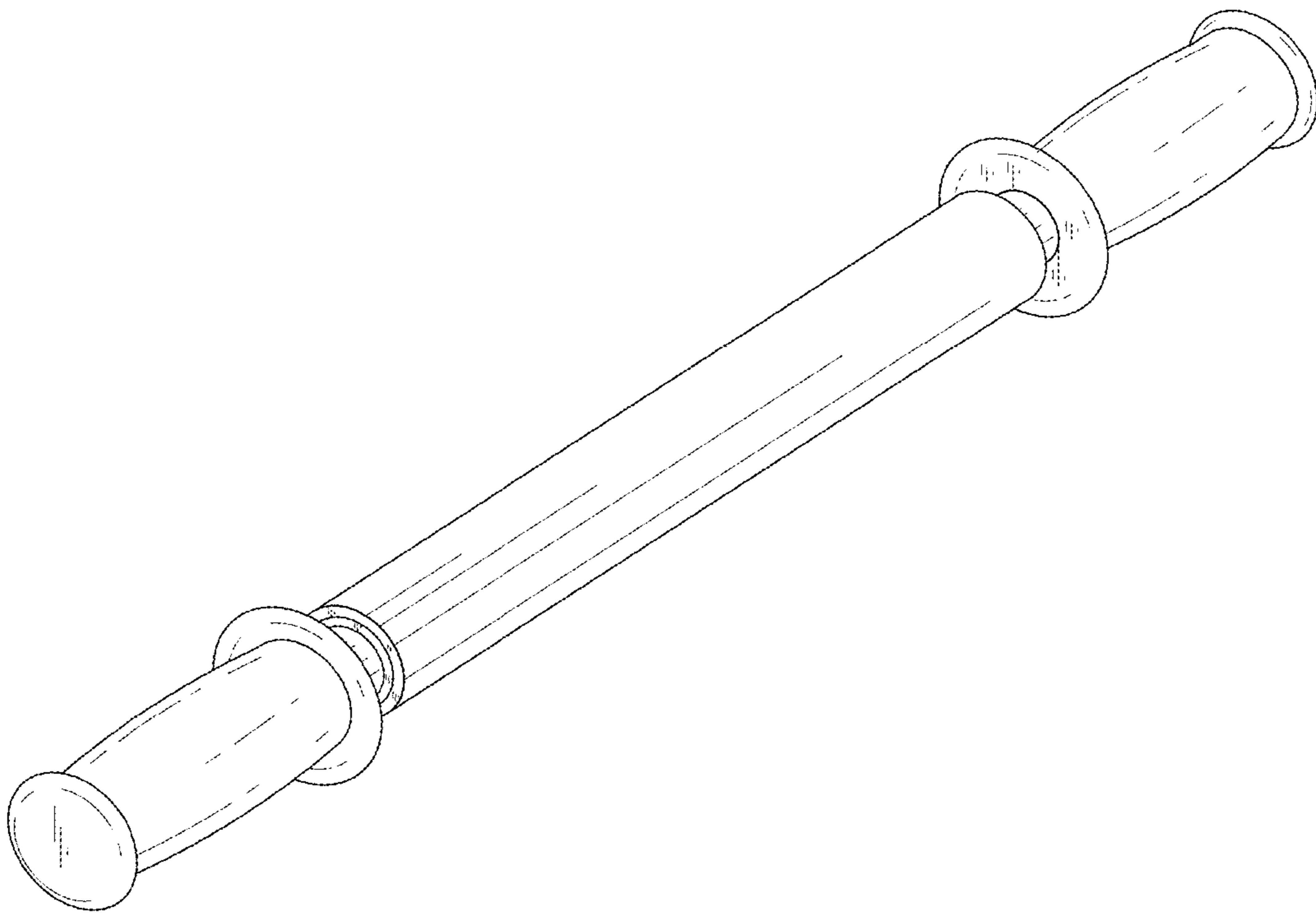


FIG. 1

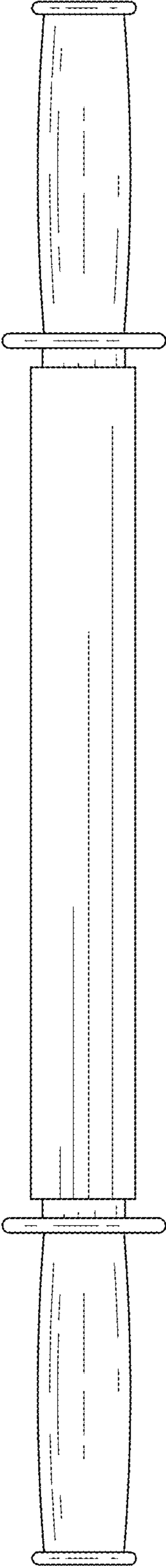


FIG. 2

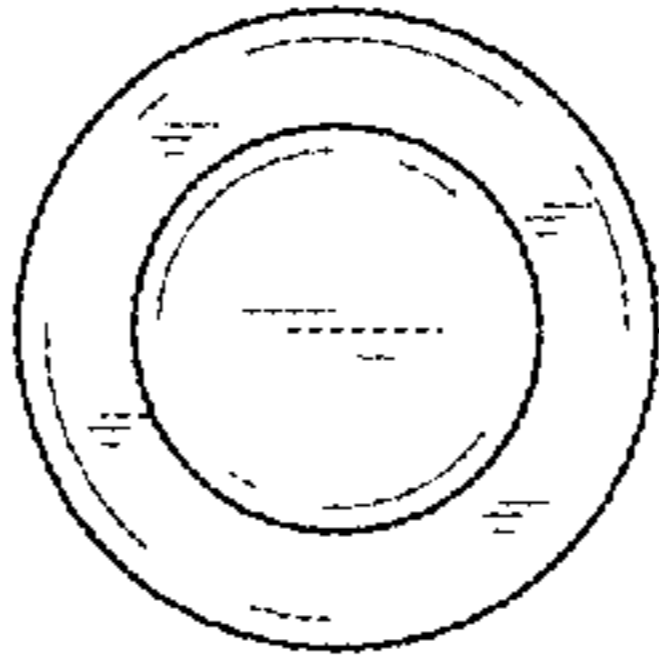


FIG. 3

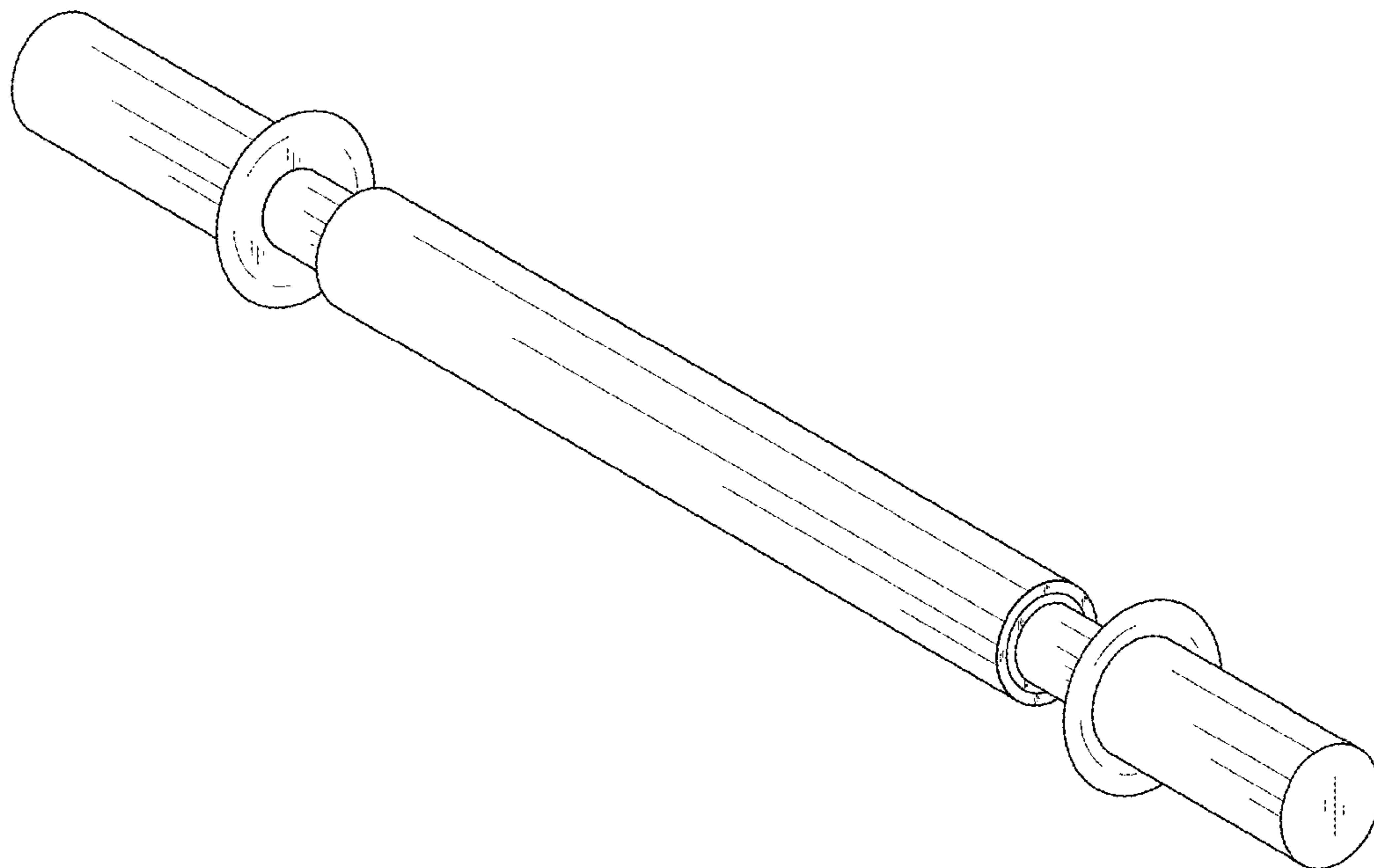


FIG. 4

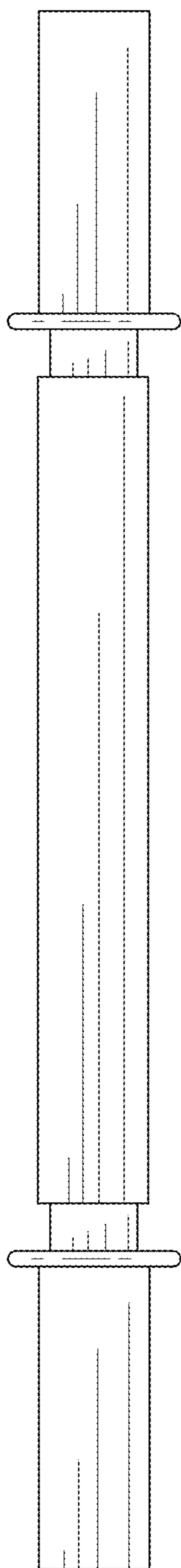


FIG. 5

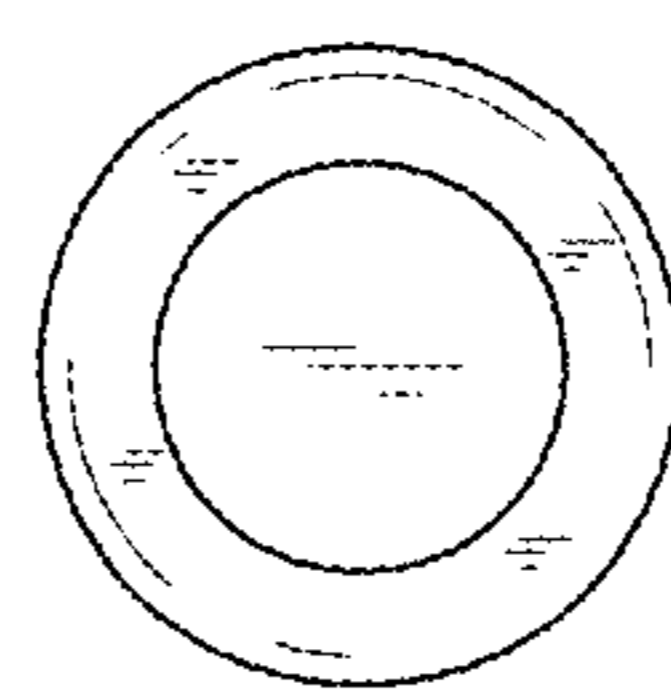


FIG. 6