



US00D773680S

(12) **United States Design Patent** (10) **Patent No.:** **US D773,680 S**  
**Larsen et al.** (45) **Date of Patent:** **\*\* \*Dec. 6, 2016**

(54) **SPA SHELL**  
(71) Applicant: **WATKINS MANUFACTURING CORPORATION**, Vista, CA (US)  
(72) Inventors: **Christopher Carl Larsen**, Vista, CA (US); **Sage Nathan Baker**, Cardiff By The Sea, CA (US)

D542,925 S \* 5/2007 Larsen ..... D24/204  
D551,357 S \* 9/2007 Loyd ..... D24/204  
D621,946 S \* 8/2010 Larsen ..... D24/204  
D621,947 S \* 8/2010 Larsen ..... D24/204  
D624,657 S \* 9/2010 Larsen ..... D24/204  
D680,656 S \* 4/2013 Larsen ..... D24/204  
D685,104 S \* 6/2013 Larsen ..... D24/204  
D687,557 S \* 8/2013 Larsen ..... D24/204

(Continued)

(73) Assignee: **Watkins Manufacturing Corporation**, Vista, CA (US)

**OTHER PUBLICATIONS**

(\*) Notice: This patent is subject to a terminal disclaimer.

Tempo 6 Person Hot Tub, posted at Hotspring, first review posted Jan. 13, 2012 [online], [site visited Feb. 2, 2016]. Available from the Internet, <URL: <http://www.hotspring.com/shop-hot-tub-models/hotspot/6-person-hot-tubs-tempo-value-priced-hot-tubs>>.\*

(\*\*) Term: **14 Years**

*Primary Examiner* — Catheri Oliver-Garcia  
*Assistant Examiner* — Rebekah Caruso

(21) Appl. No.: **29/514,556**

(74) *Attorney, Agent, or Firm* — Kirk W. Rudolph

(22) Filed: **Jan. 14, 2015**

(51) **LOC (10) Cl.** ..... **23-02**

(57) **CLAIM**

(52) **U.S. Cl.**  
USPC ..... **D24/204**

The ornamental design for a spa shell, as shown and described.

(58) **Field of Classification Search**  
USPC ..... D24/201, 204, 205; D23/276–278,  
D23/280.1–280.3; D25/2; 4/488,  
541.1–541.6, 4/546–547, 578.1, 579, 589,  
904; 601/154–158

**DESCRIPTION**

CPC .... A61H 33/00; A61H 33/0087; A61H 33/02;  
A61H 33/60; A61H 33/6063; A61H  
33/021; A61H 33/022; A61H  
33/027; A61H 33/0091; A47K  
3/02; A47K 3/122; A47K 3/06; E04H  
2004/0068; E04H 4/0037

See application file for complete search history.

FIG. 1 is a perspective view of a spa shell showing our design;  
FIG. 2 is a second perspective view thereof;  
FIG. 3 is a top plan view thereof;  
FIG. 4 is a cross-sectional view thereof, taken along line 4-4 of FIG. 3;  
FIG. 5 is a cross-sectional view thereof, taken along line 5-5 of FIG. 3;  
FIG. 6 is a cross-sectional view thereof, taken along line 6-6 of FIG. 3;  
FIG. 7 is a cross-sectional view thereof, taken along line 7-7 of FIG. 3; and,  
FIG. 8 is a cross-sectional view thereof, taken along line 8-8 of FIG. 3.

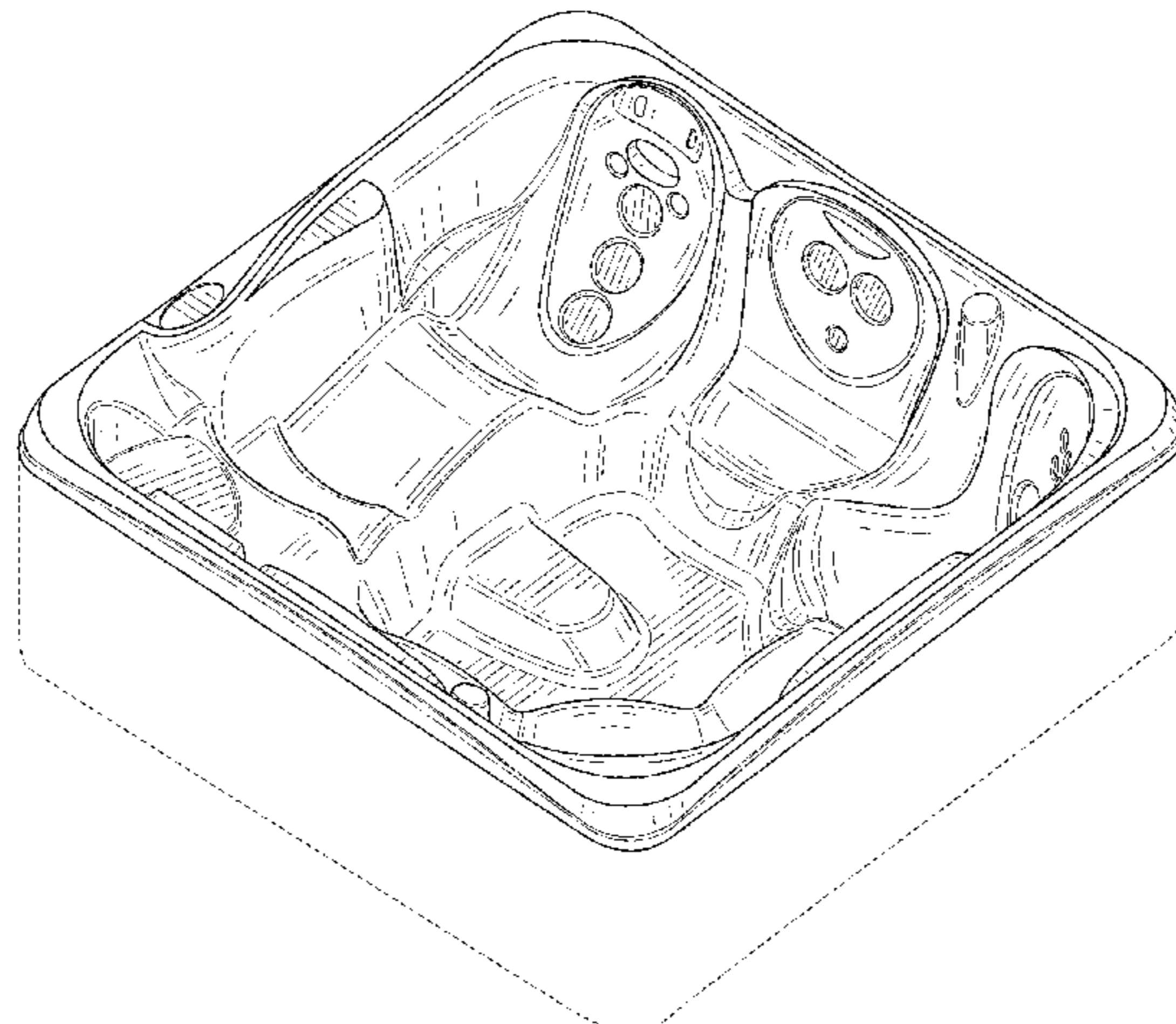
The broken lines in the drawings represent unclaimed portions of the spa shell and form no part of the claimed design.

(56) **References Cited**

**U.S. PATENT DOCUMENTS**

D305,061 S \* 12/1989 Pauls ..... D24/205  
D512,152 S \* 11/2005 Loyd ..... D24/201  
D514,704 S \* 2/2006 Loyd ..... D24/201  
D522,662 S \* 6/2006 Loyd ..... D24/204  
D531,729 S \* 11/2006 Larsen ..... D24/201

**1 Claim, 6 Drawing Sheets**



(56)

**References Cited**

U.S. PATENT DOCUMENTS

D721,817 S \* 1/2015 Larsen ..... D24/204  
D726,328 S \* 4/2015 Larsen ..... D24/204  
2008/0148471 A1\* 6/2008 Tatum ..... A61H 33/0087  
4/541.6  
2015/0283400 A1\* 10/2015 Hatley ..... A61N 5/0616  
607/80

\* cited by examiner

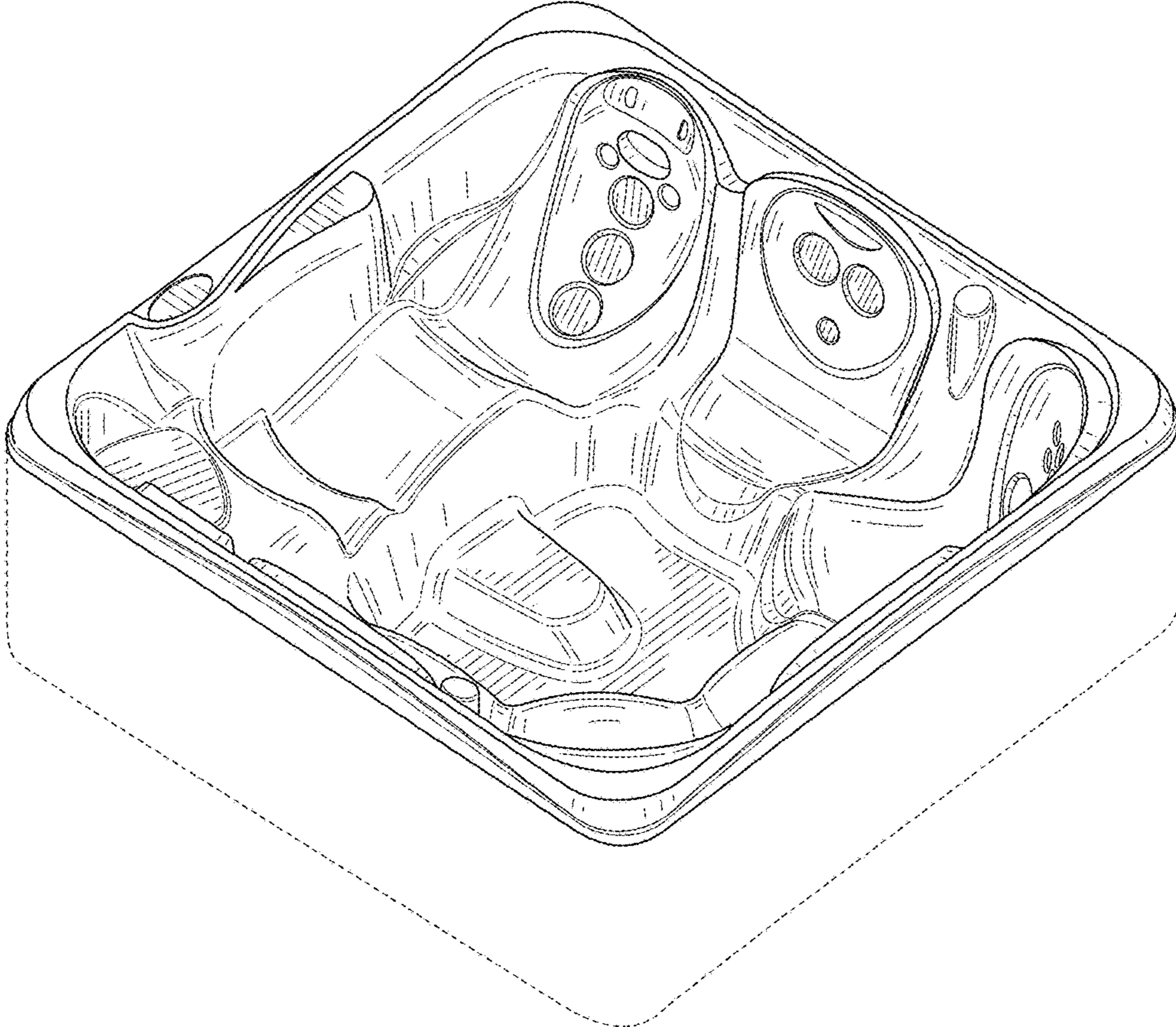


FIG. 1



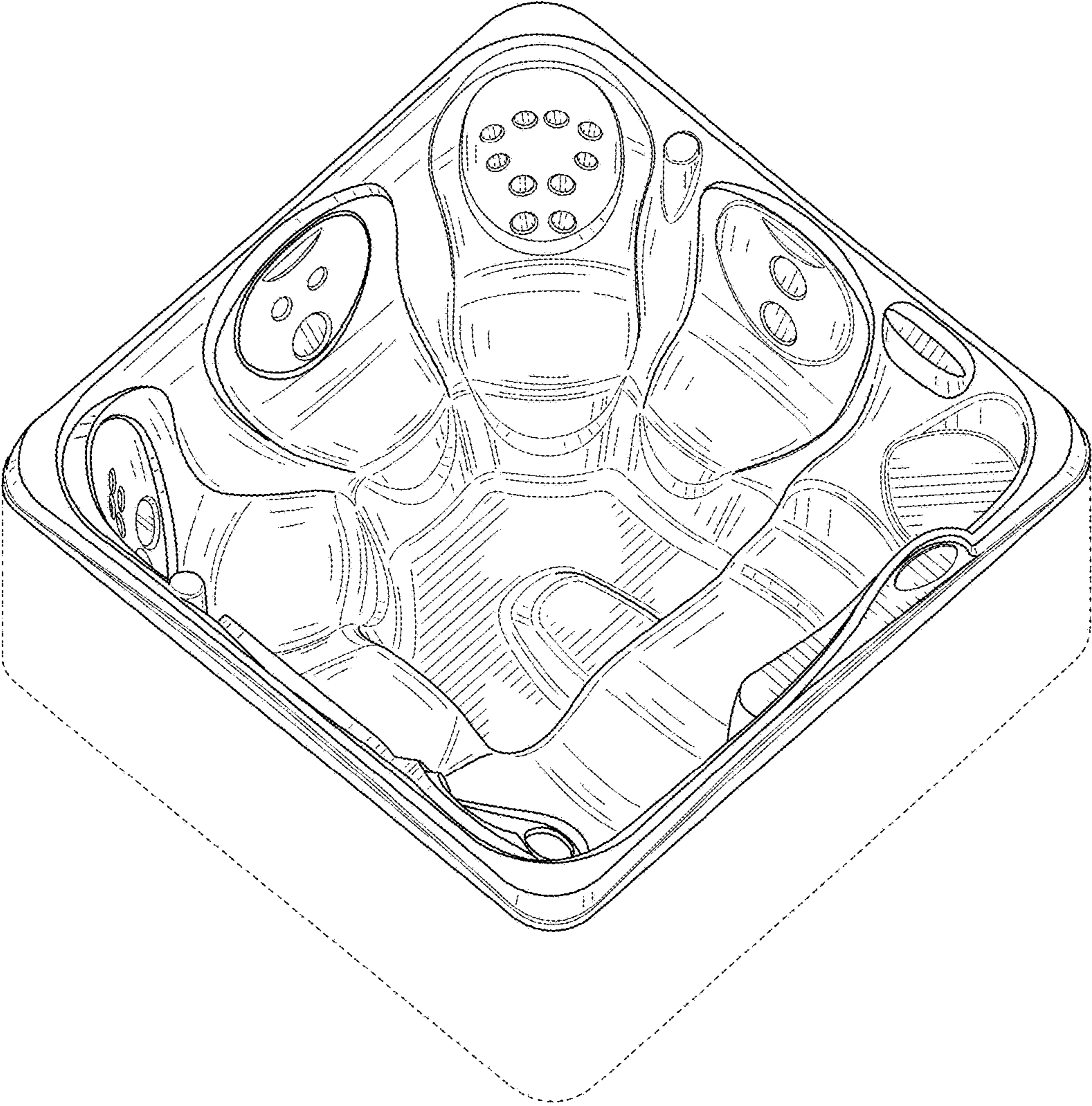


FIG. 2

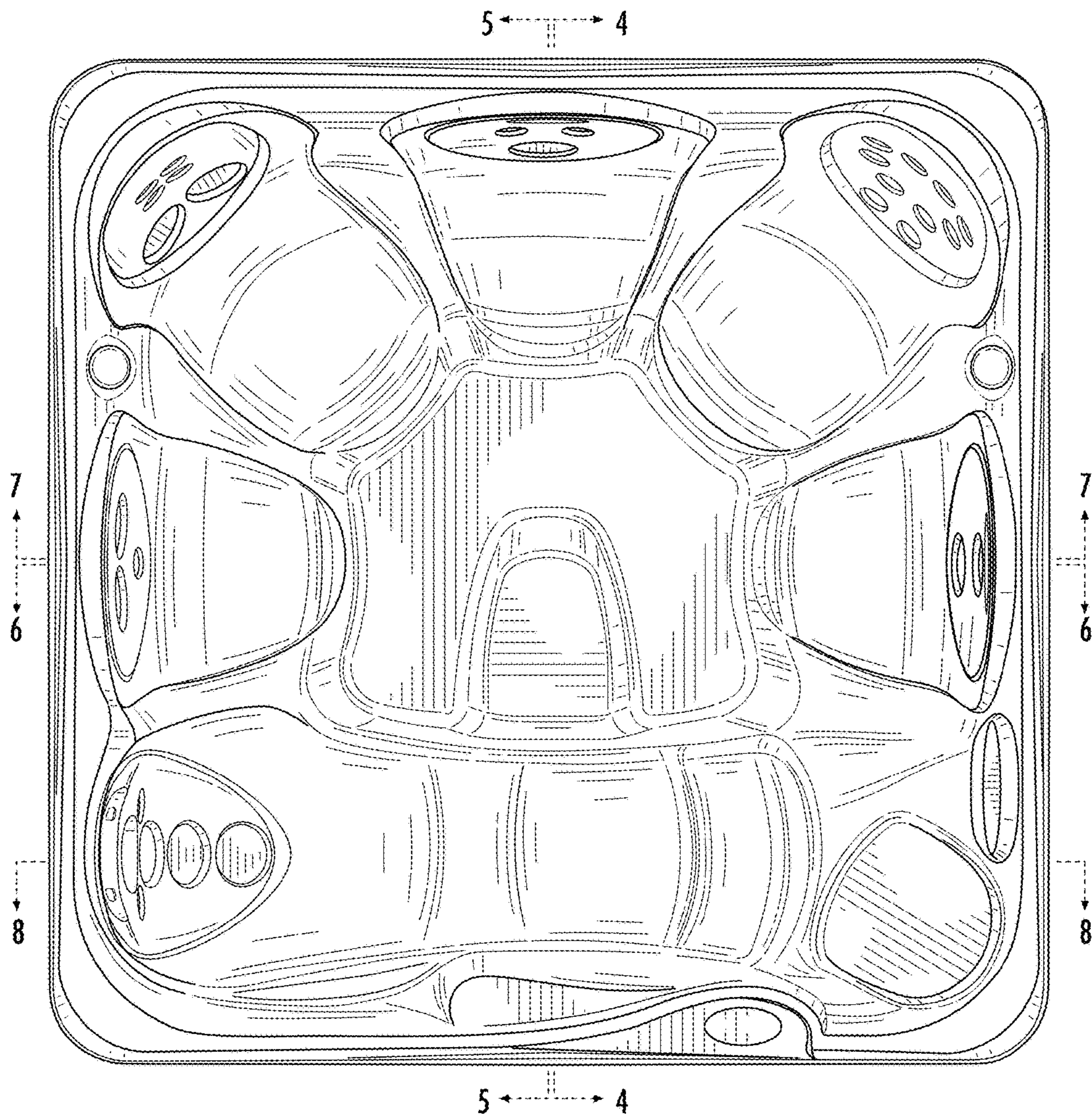


FIG. 3



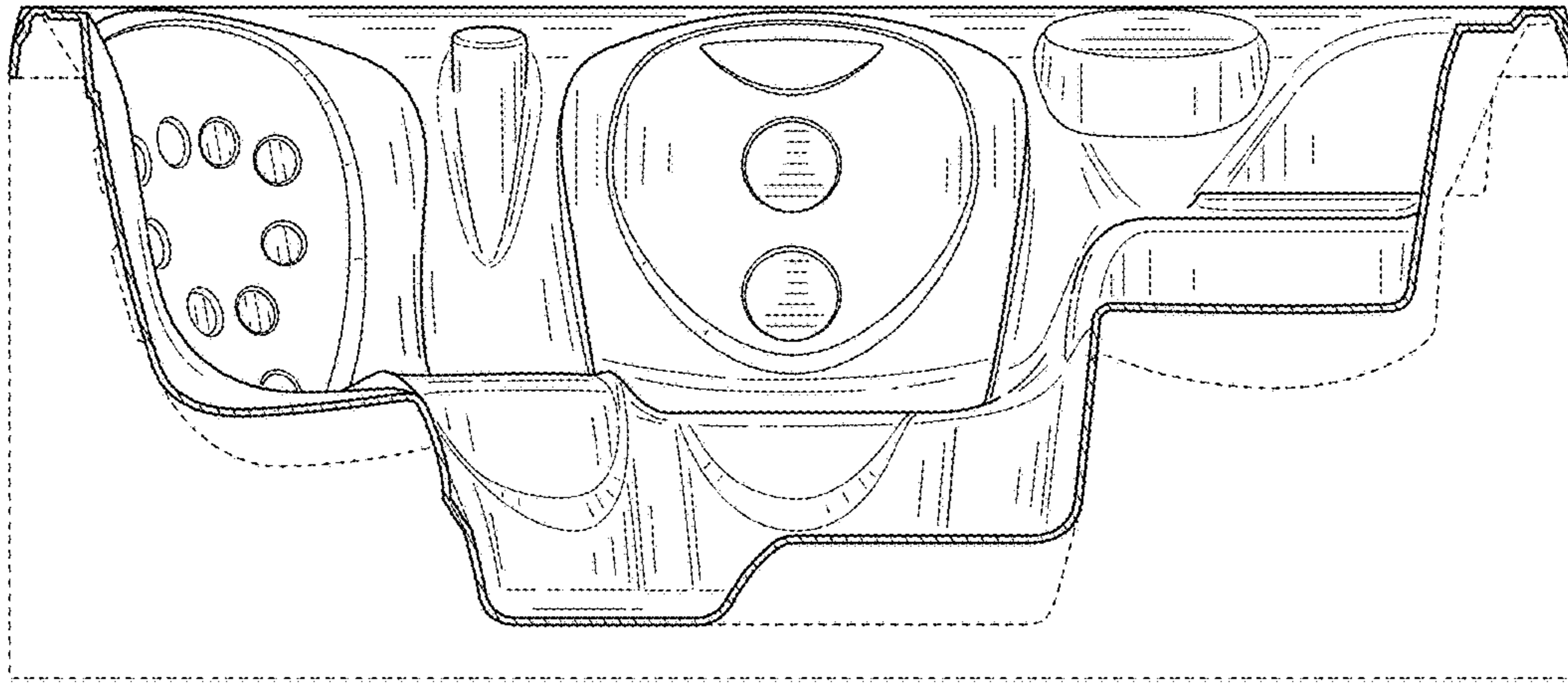


FIG. 4

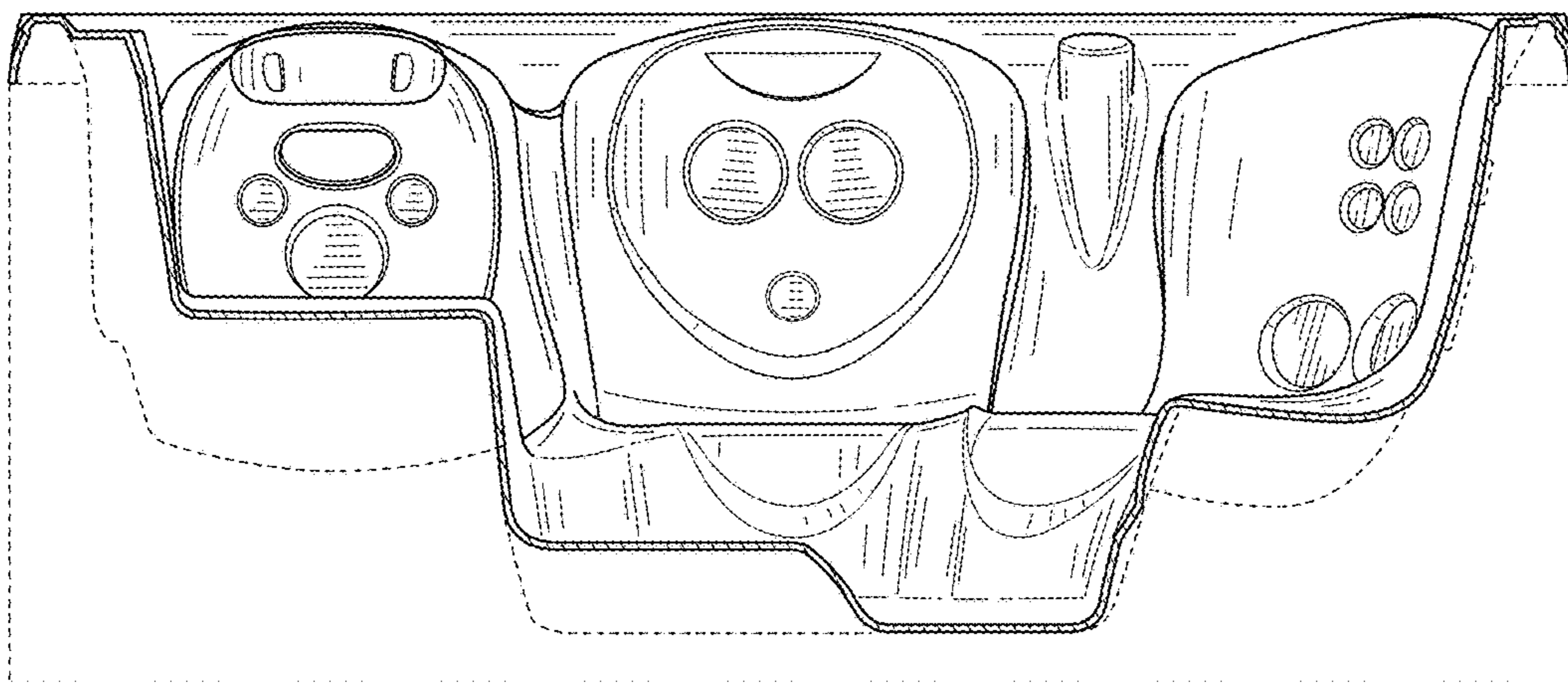


FIG. 5

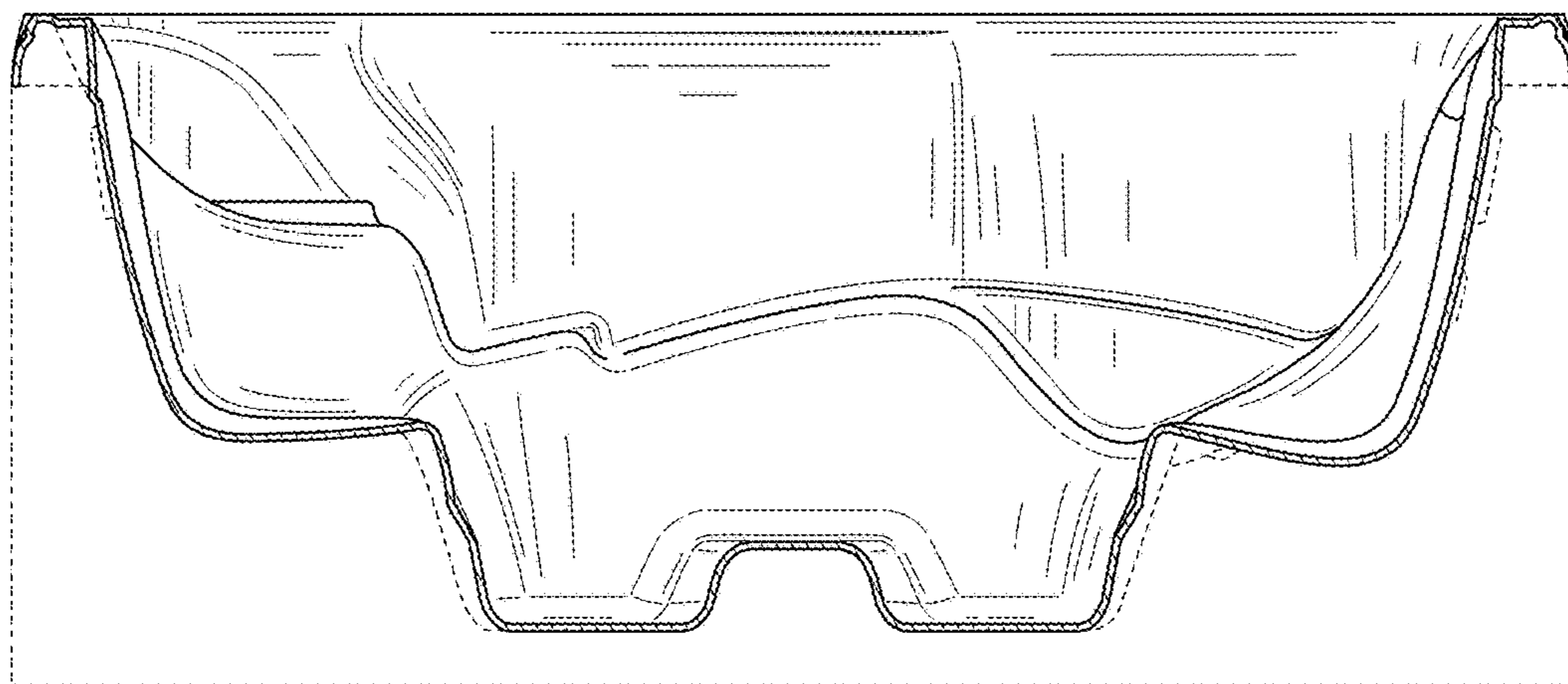


FIG. 6

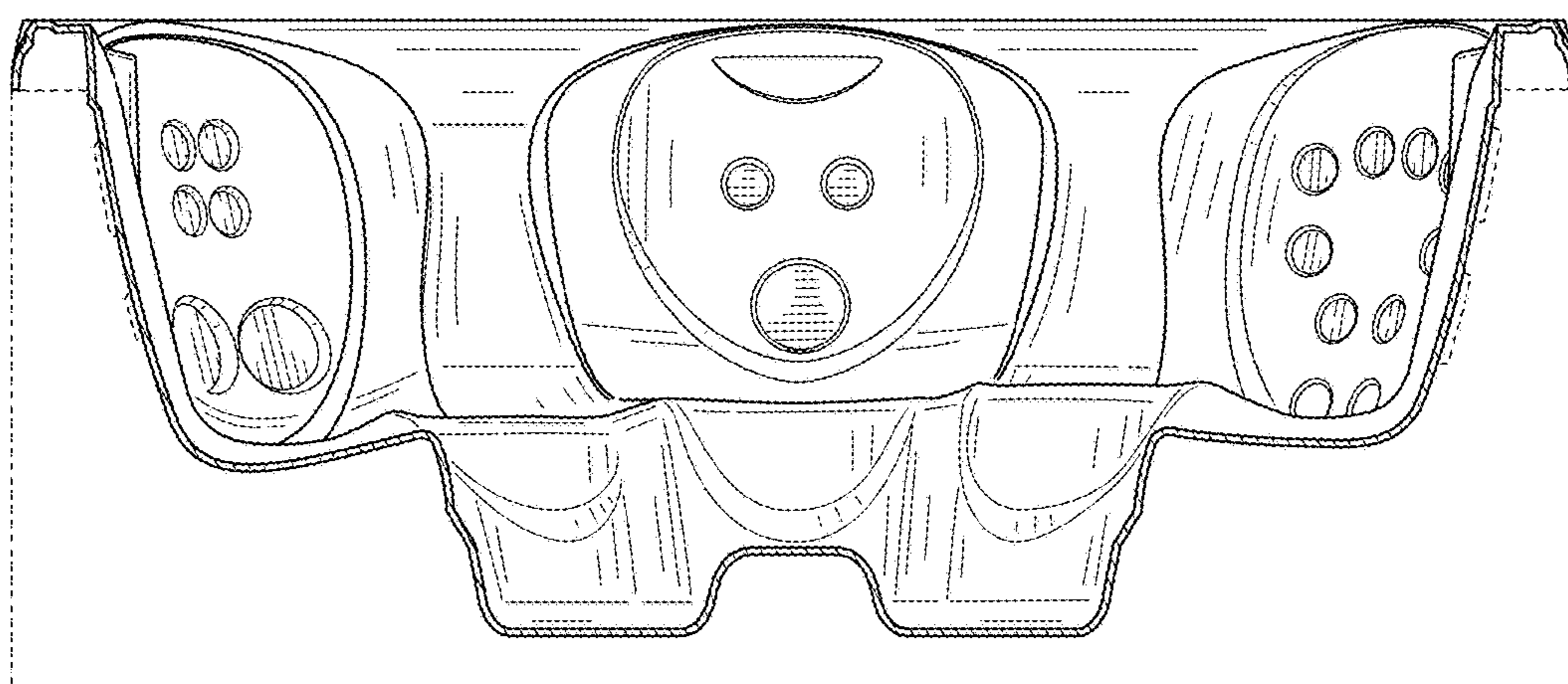


FIG. 7

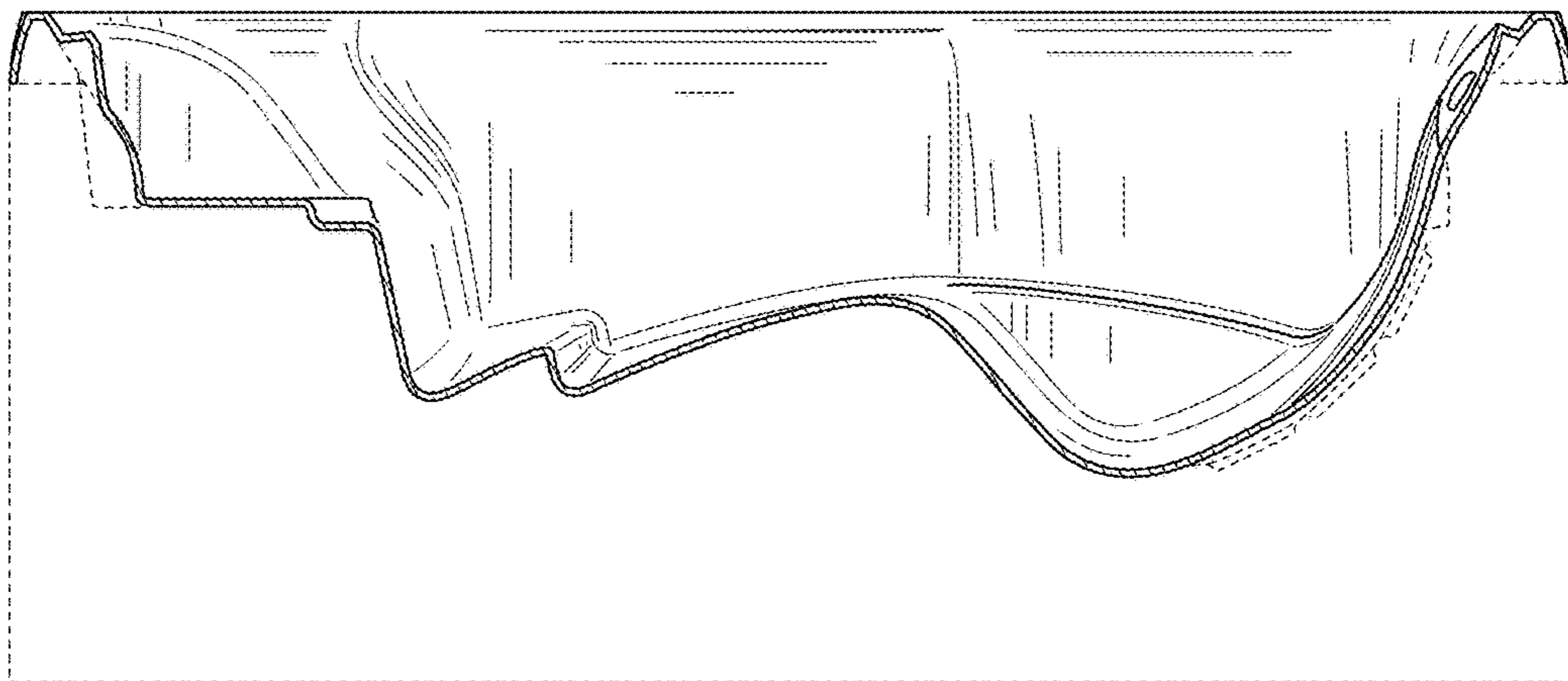


FIG. 8