



US00D773673S

(12) **United States Design Patent** (10) **Patent No.:** **US D773,673 S**
Wen (45) **Date of Patent:** **** Dec. 6, 2016**

(54) **COVER OF A REHABILITATION DEVICE**

(71) Applicant: **FUNG LEAD MEDICAL AND SPORTS CO., LTD.**, Nantou County (TW)

(72) Inventor: **Yen-Huei Wen**, Nantou County (TW)

(73) Assignee: **Fung Lead Medical and Sports Co., Ltd.**, Nantou (TW)

(**) Term: **14 Years**

(21) Appl. No.: **29/517,107**

(22) Filed: **Feb. 10, 2015**

Related U.S. Application Data

(63) Continuation-in-part of application No. 29/512,971, filed on Dec. 23, 2014, now Pat. No. Des. 743,563.

(51) **LOC (10) Cl.** **24-02**

(52) **U.S. Cl.**
USPC **D24/190**

(58) **Field of Classification Search**
USPC D24/127, 128, 129, 135, 155, 188;
D10/64, 71; 602/16, 21-23, 26
See application file for complete search history.

(56) **References Cited**

U.S. PATENT DOCUMENTS

- 5,885,235 A * 3/1999 Opahle A61F 5/0125
602/16
- 5,997,493 A * 12/1999 Young A61F 5/0125
602/16
- D546,955 S * 7/2007 Bauerfiend D24/190
- D658,770 S * 5/2012 Helm D24/190

- D660,437 S * 5/2012 Schilling D24/190
- 9,066,817 B2 * 6/2015 Gilbert A61F 2/64
- D743,563 S * 11/2015 Wen D24/188
- 2010/0130899 A1 * 5/2010 Chao A61F 5/0125
602/16
- 2010/0256543 A1 * 10/2010 McCune A61F 5/0125
602/16
- 2011/0009786 A1 * 1/2011 Chan A61F 5/0125
602/16
- 2015/0100006 A1 * 4/2015 Lu A61F 5/0102
602/16

* cited by examiner

Primary Examiner — Garth Rademaker

Assistant Examiner — Samantha Q Lawrence

(74) *Attorney, Agent, or Firm* — Wang Law Firm, Inc.

(57) **CLAIM**

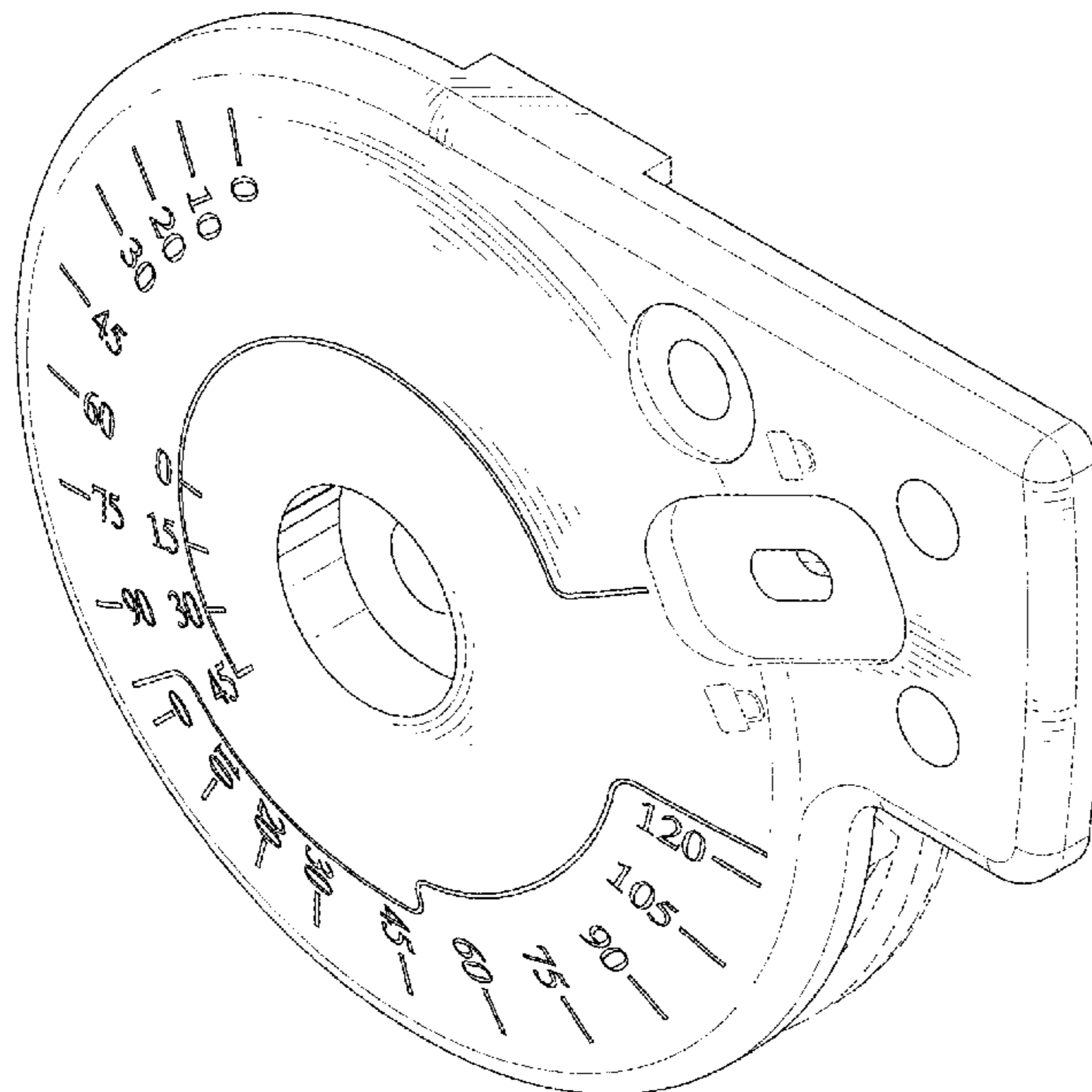
The ornamental design for a cover of a rehabilitation device, as shown and described.

DESCRIPTION

FIG. 1 is a perspective view of a cover of a rehabilitation device showing my new design; FIG. 2 is a front view thereof; FIG. 3 is a rear view thereof; FIG. 4 is a left side view thereof; FIG. 5 is a right side view thereof; FIG. 6 is a top plan view thereof; FIG. 7 is a bottom plan view thereof; and, FIG. 8 is a perspective view thereof shown in use.

The broken lines shown in FIGS. 1-3 illustrate portions of the cover of a rehabilitation device that form no part of the claimed design. The broken lines shown in FIG. 8 illustrate environment and form no part of the claimed design.

1 Claim, 5 Drawing Sheets



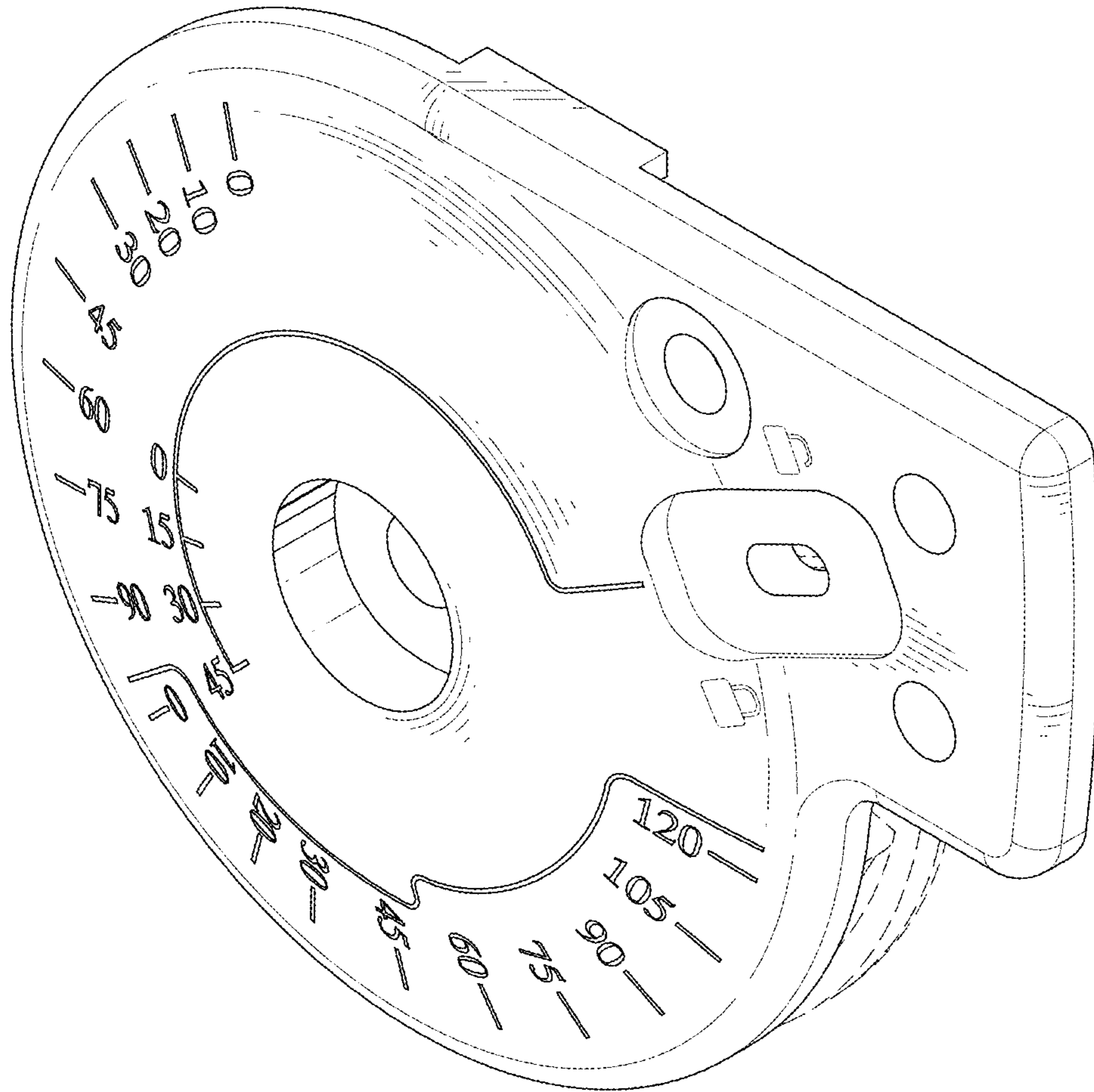


FIG.1

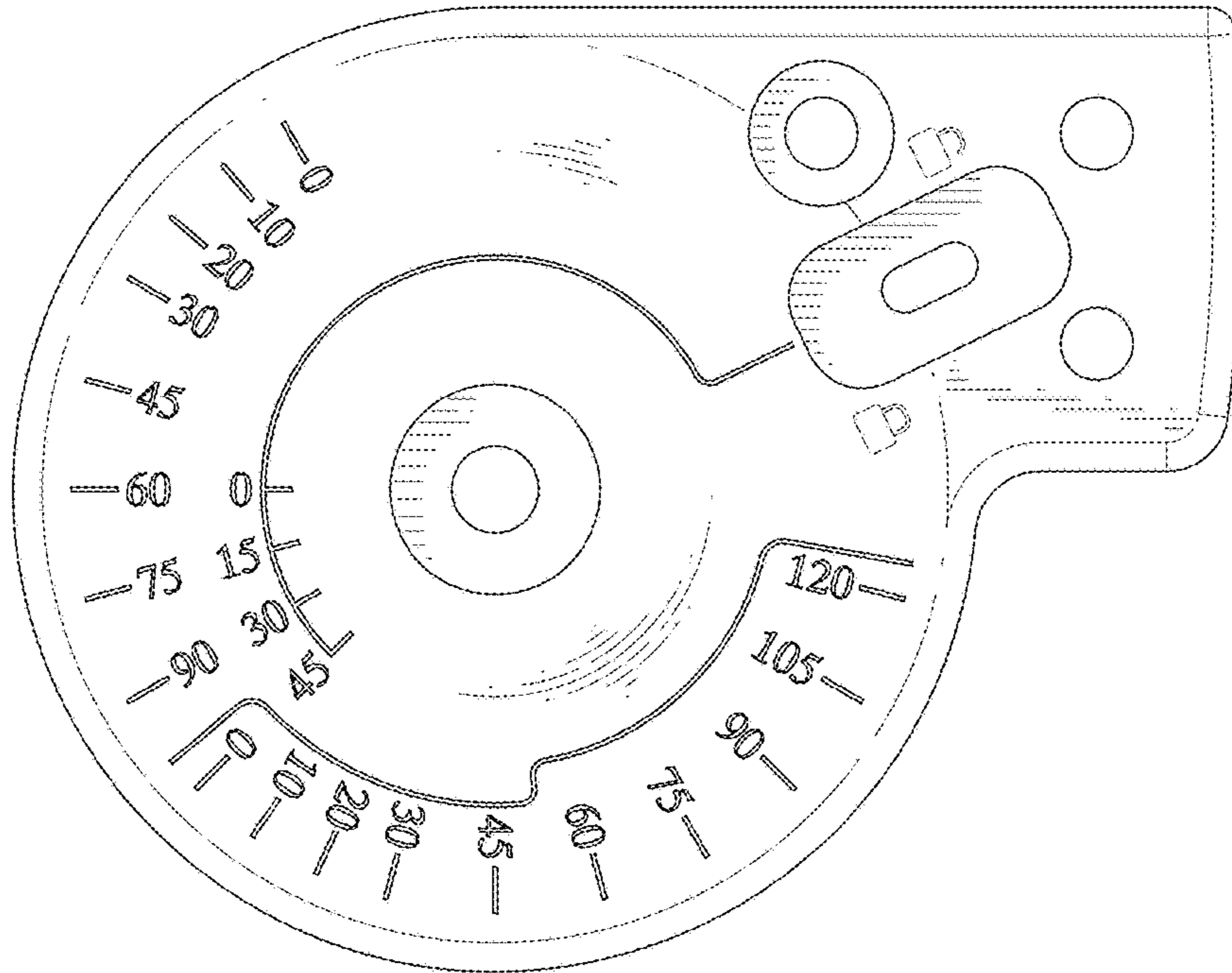


FIG. 2

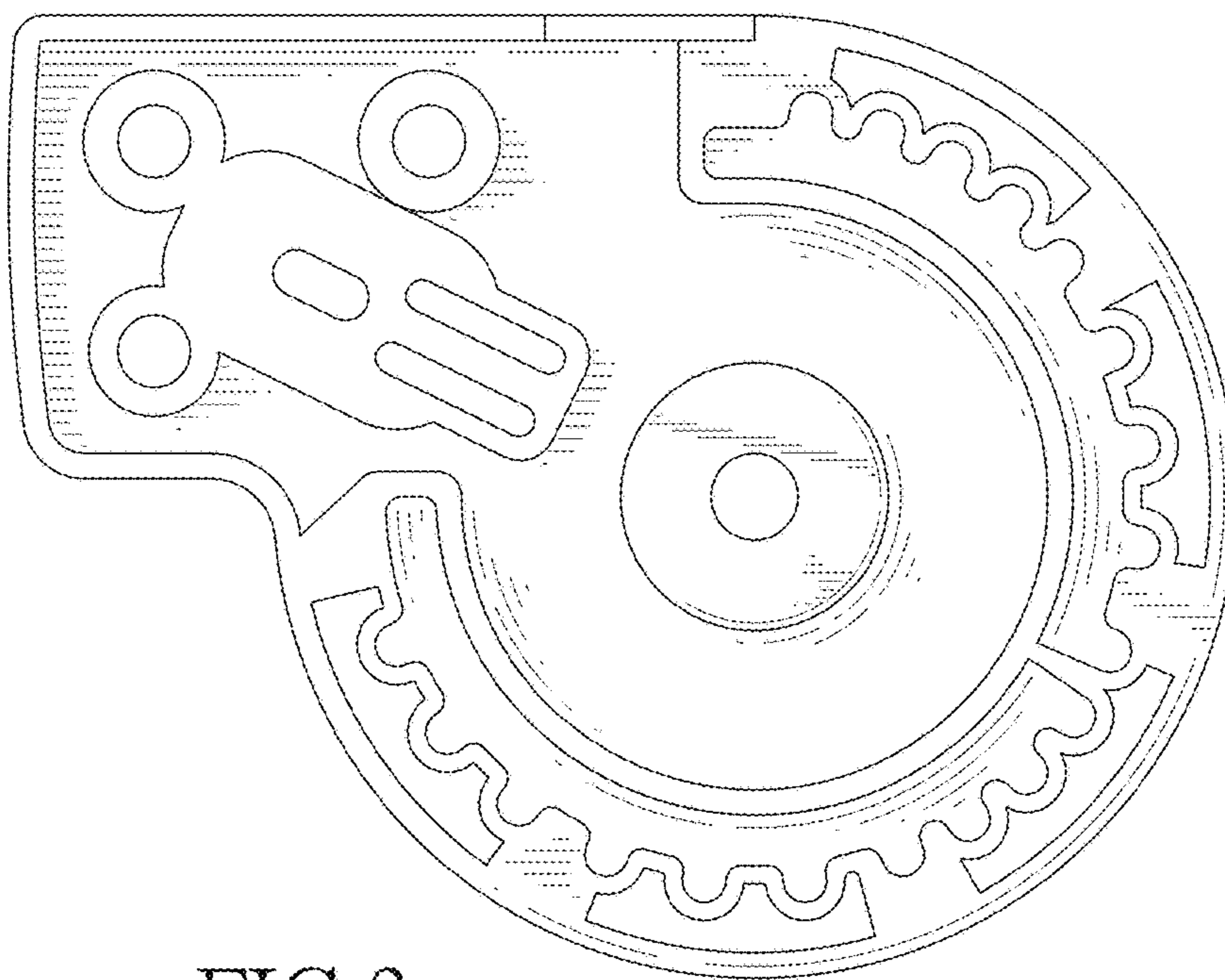


FIG. 3



FIG.4

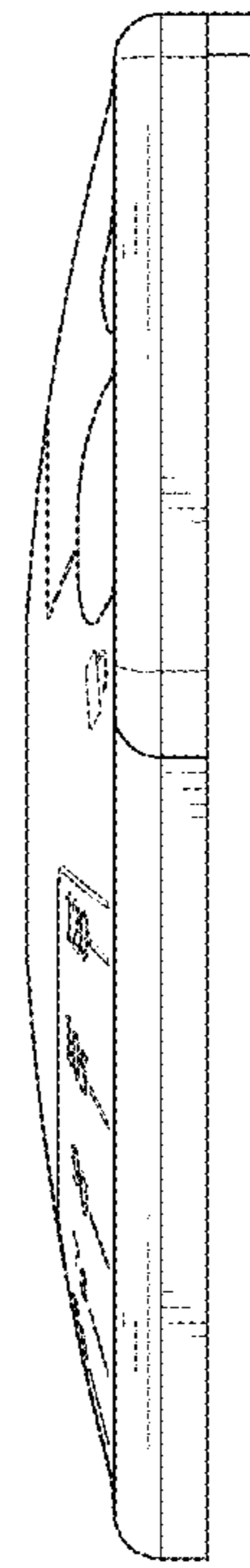


FIG.5

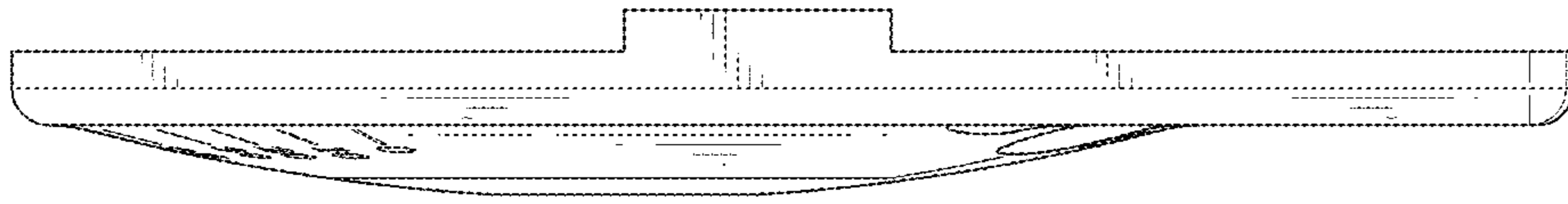


FIG. 6

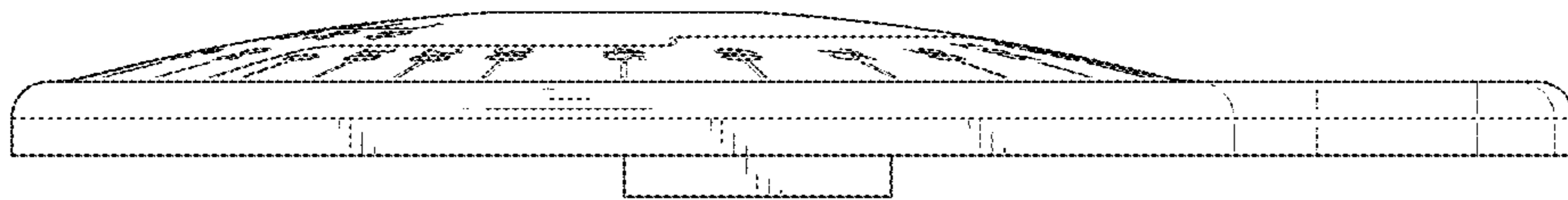


FIG. 7

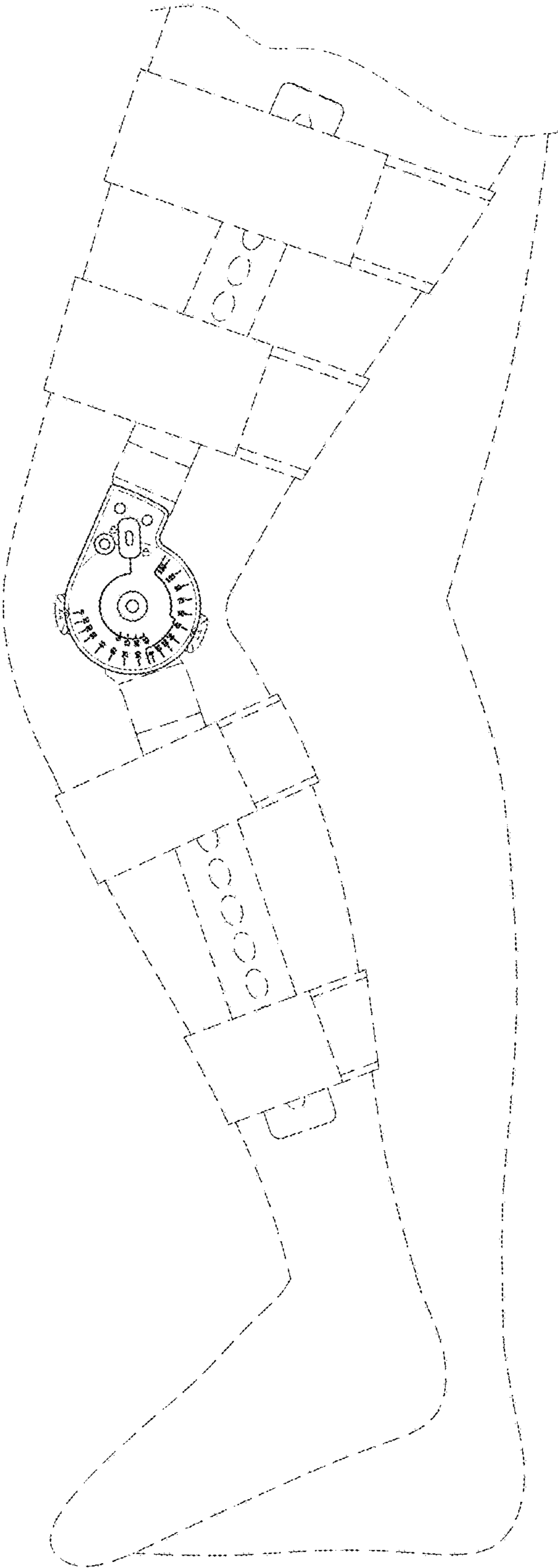


FIG.8