



US00D773669S

(12) **United States Design Patent** (10) **Patent No.:** **US D773,669 S**
Mizumura et al. (45) **Date of Patent:** **** Dec. 6, 2016**

(54) **X-RAY TUBE FOR MEDICAL USE** 7,016,472 B2 * 3/2006 Subraya H01J 35/18
 378/140
 (71) Applicant: **Toshiba Electron Tubes & Devices** D671,217 S * 11/2012 Moon D24/158
Co., Ltd, Otawara, Tochigi (JP) D702,351 S * 4/2014 Li D24/158
 D726,920 S * 4/2015 Ishihara D24/158
 D726,921 S * 4/2015 Ishihara D24/158
 (72) Inventors: **Yuki Mizumura, Otawara (JP); Masaji** 2008/0187106 A1 * 8/2008 Grady H05G 1/08
Kanagami, Utsunomiya (JP) 378/144
 (73) Assignee: **Toshiba Electron Tubes & Devices** 2008/0260105 A1 * 10/2008 Schaefer H01J 35/06
Co., Ltd., Otawara, Tochigi (JP) 378/199
 2008/0317210 A1 * 12/2008 Lu H05G 1/04
 378/141
 (**) Term: **15 Years** 2009/0161830 A1 * 6/2009 Inazuru H01J 35/04
 378/138

(21) Appl. No.: **29/537,934**

(22) Filed: **Aug. 31, 2015**

(30) **Foreign Application Priority Data**

May 25, 2015 (JP) 2015-011403
 May 25, 2015 (JP) 2015-011428

(51) **LOC (10) Cl.** **24-01**

(52) **U.S. Cl.**
 USPC **D24/158**

(58) **Field of Classification Search**
 USPC D24/158-161, 186, 107, 209, 210;
 D13/180
 CPC H05G 1/02; H05G 1/025; H05G 1/04;
 H05G 1/06; H05G 1/10; H01J 2235/068;
 H01J 35/025
 See application file for complete search history.

(56) **References Cited**

U.S. PATENT DOCUMENTS

D290,500 S * 6/1987 Makas D24/158
 6,352,363 B1 * 3/2002 Munger H05G 1/04
 378/203

* cited by examiner

Primary Examiner — Anhdao Doan

(74) *Attorney, Agent, or Firm* — Banner & Witcoff, Ltd.

(57) **CLAIM**

The ornamental design for a x-ray tube for medical use, as shown and described.

DESCRIPTION

FIG. 1 is a perspective view of a x-ray tube for medical use showing our new design,
 FIG. 2 is a front elevational view thereof,
 FIG. 3 is a rear elevational view thereof,
 FIG. 4 is a top plan view thereof,
 FIG. 5 is a bottom plan view thereof,
 FIG. 6 is a left side elevational view thereof; and,
 FIG. 7 is a right side elevational view thereof.
 The broken lines illustrate portions of the x-ray tube for medical use that form no part of the claimed design. The broken lines form no part of the claimed design.

1 Claim, 4 Drawing Sheets

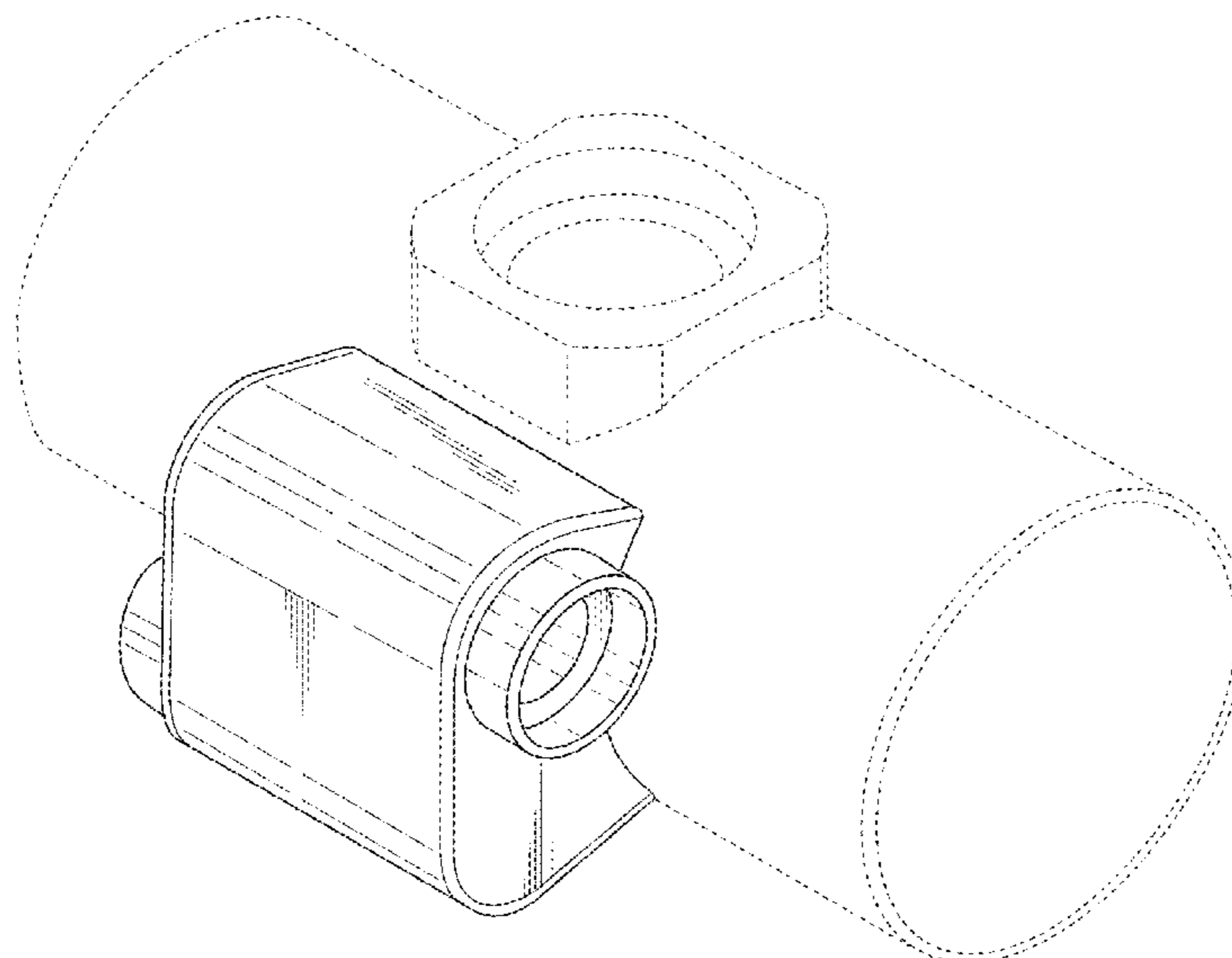


Fig. 1

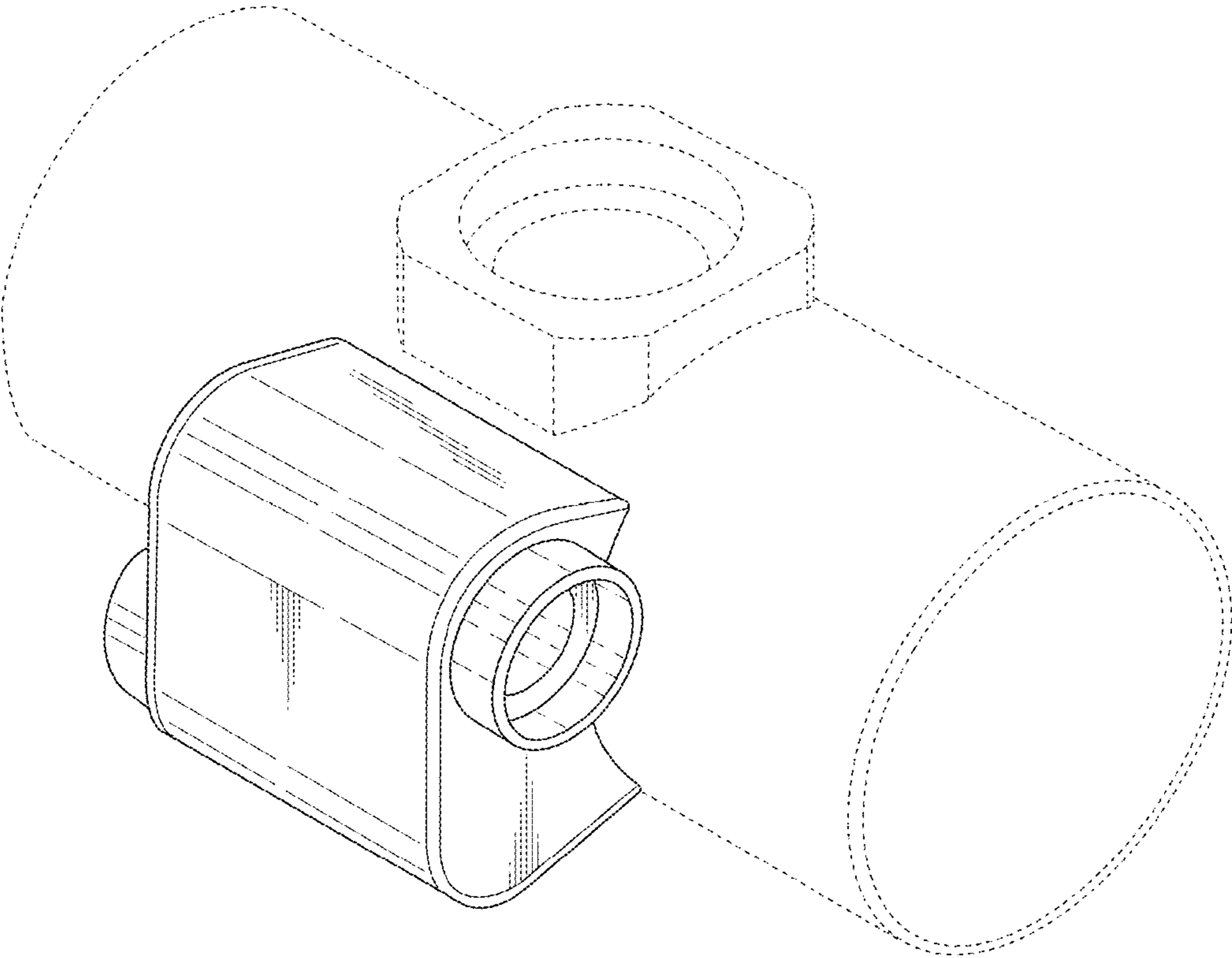


Fig. 2

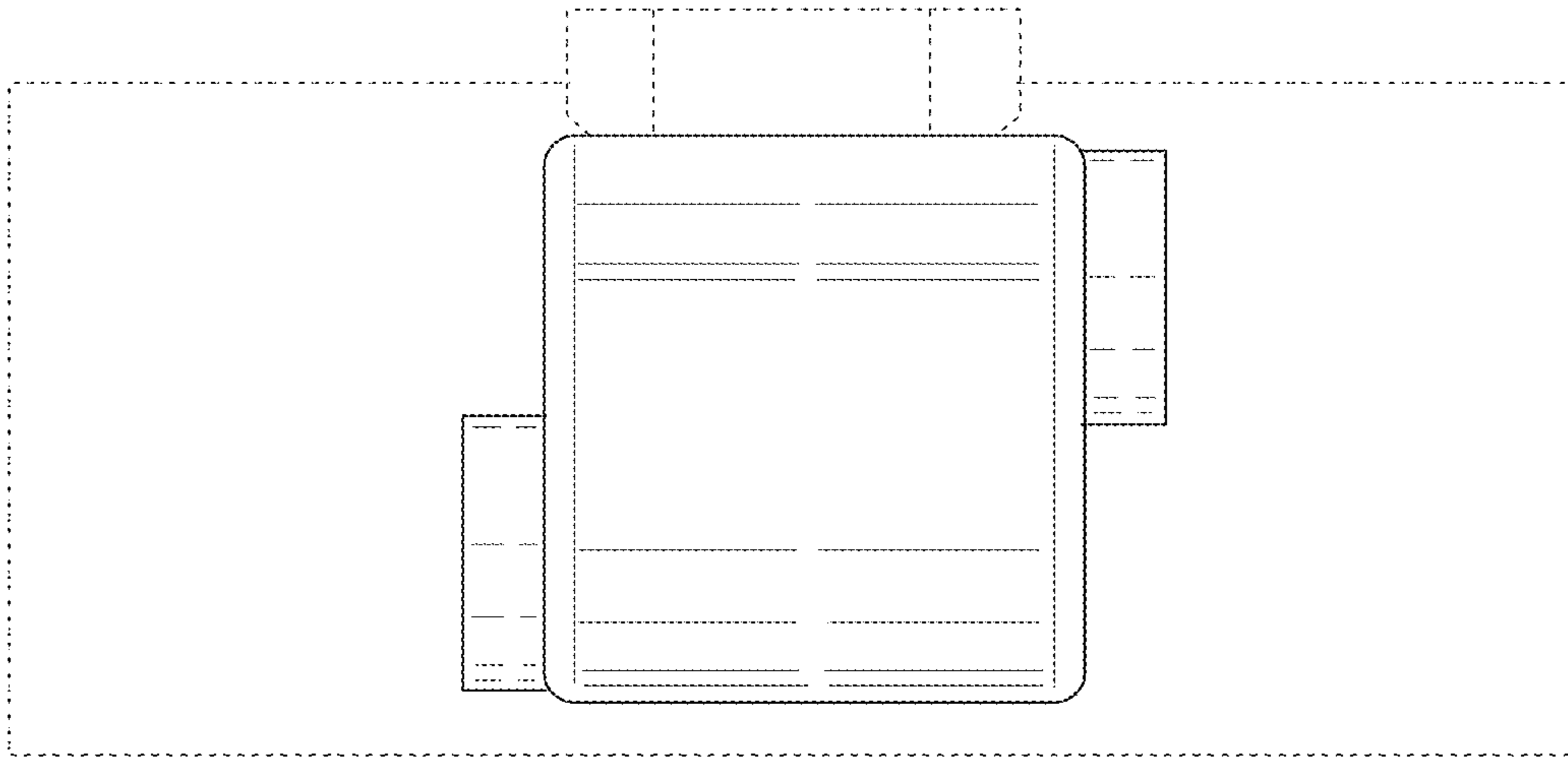


Fig. 3

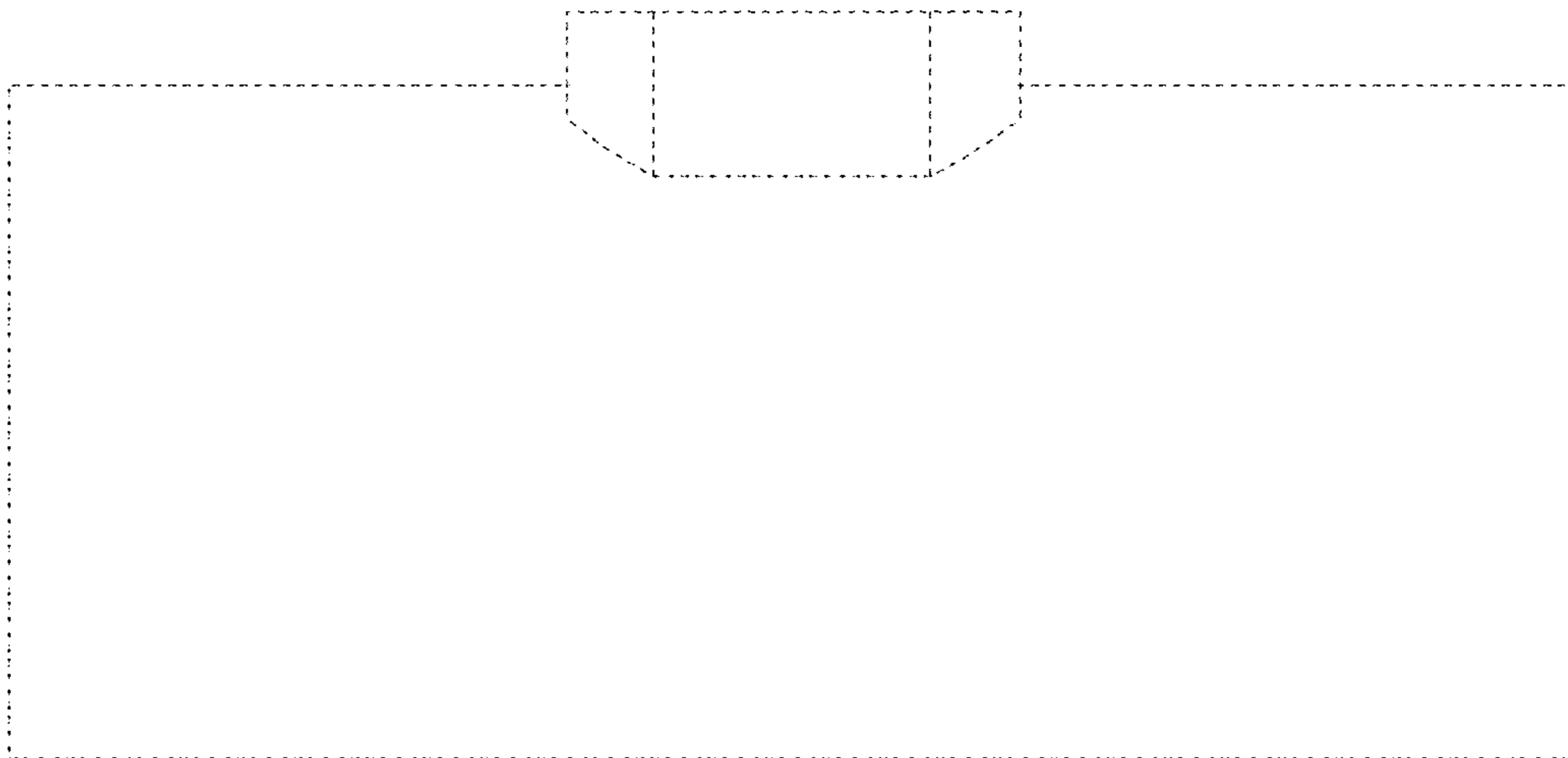


Fig. 4

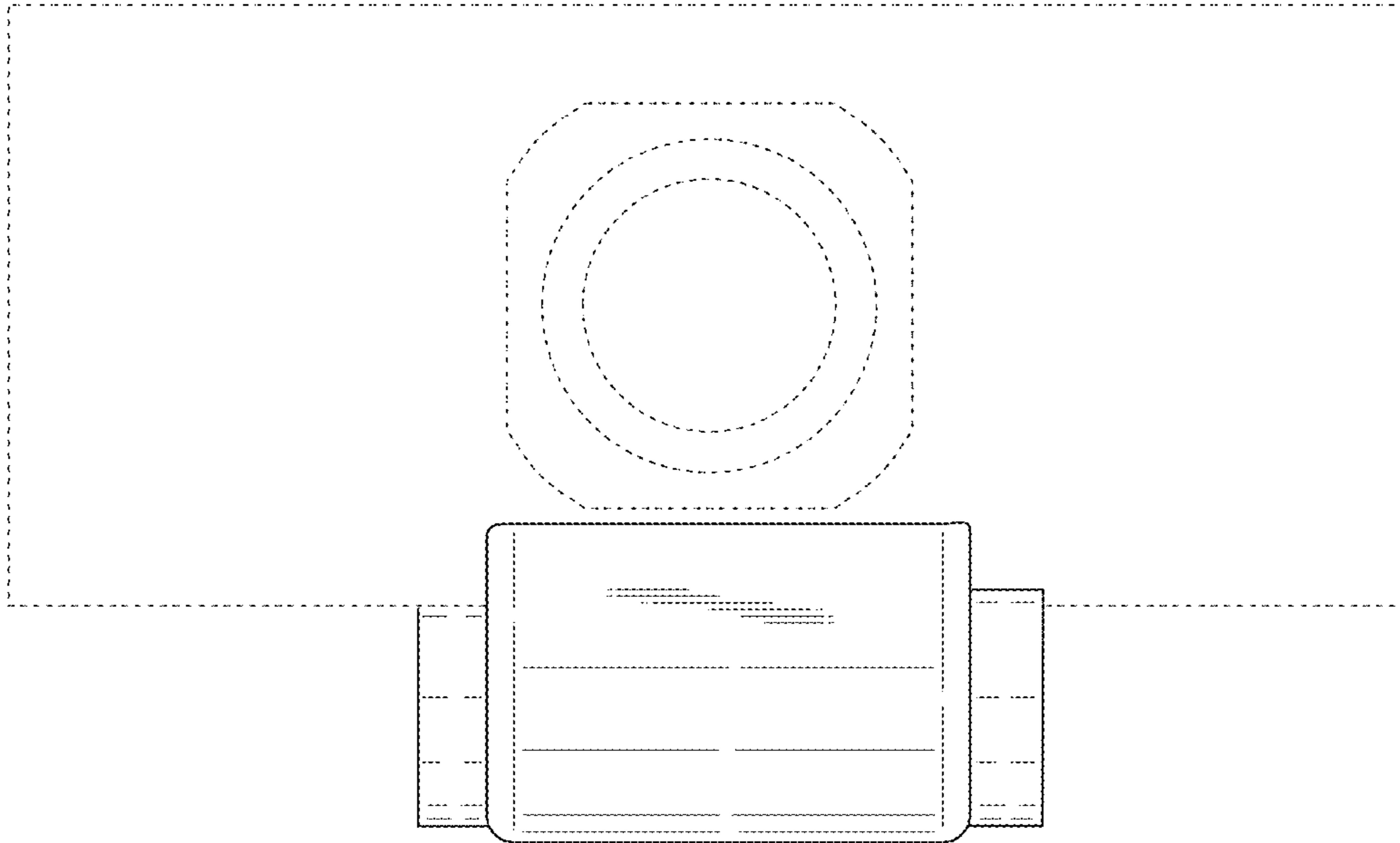


Fig. 5

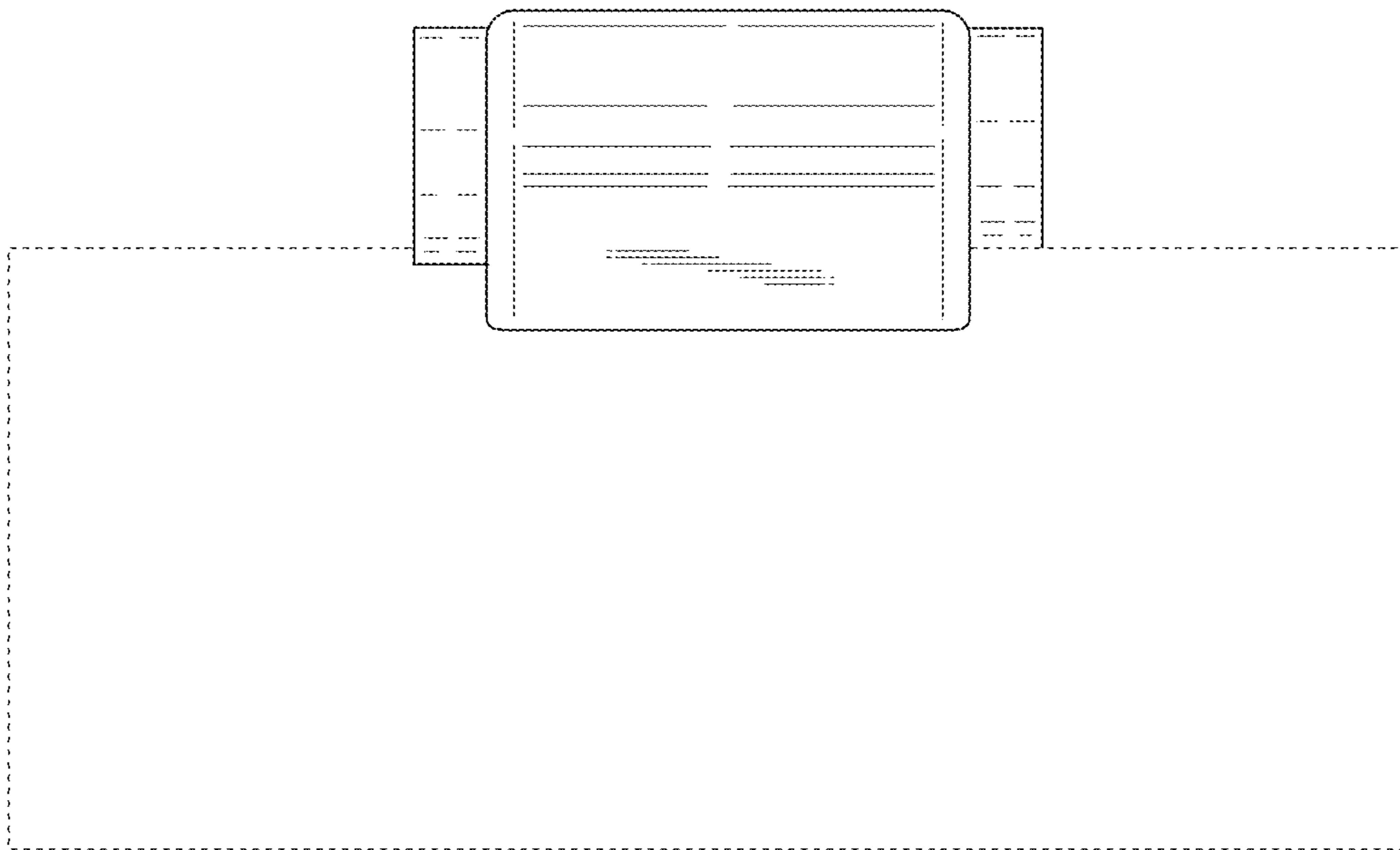


Fig. 6

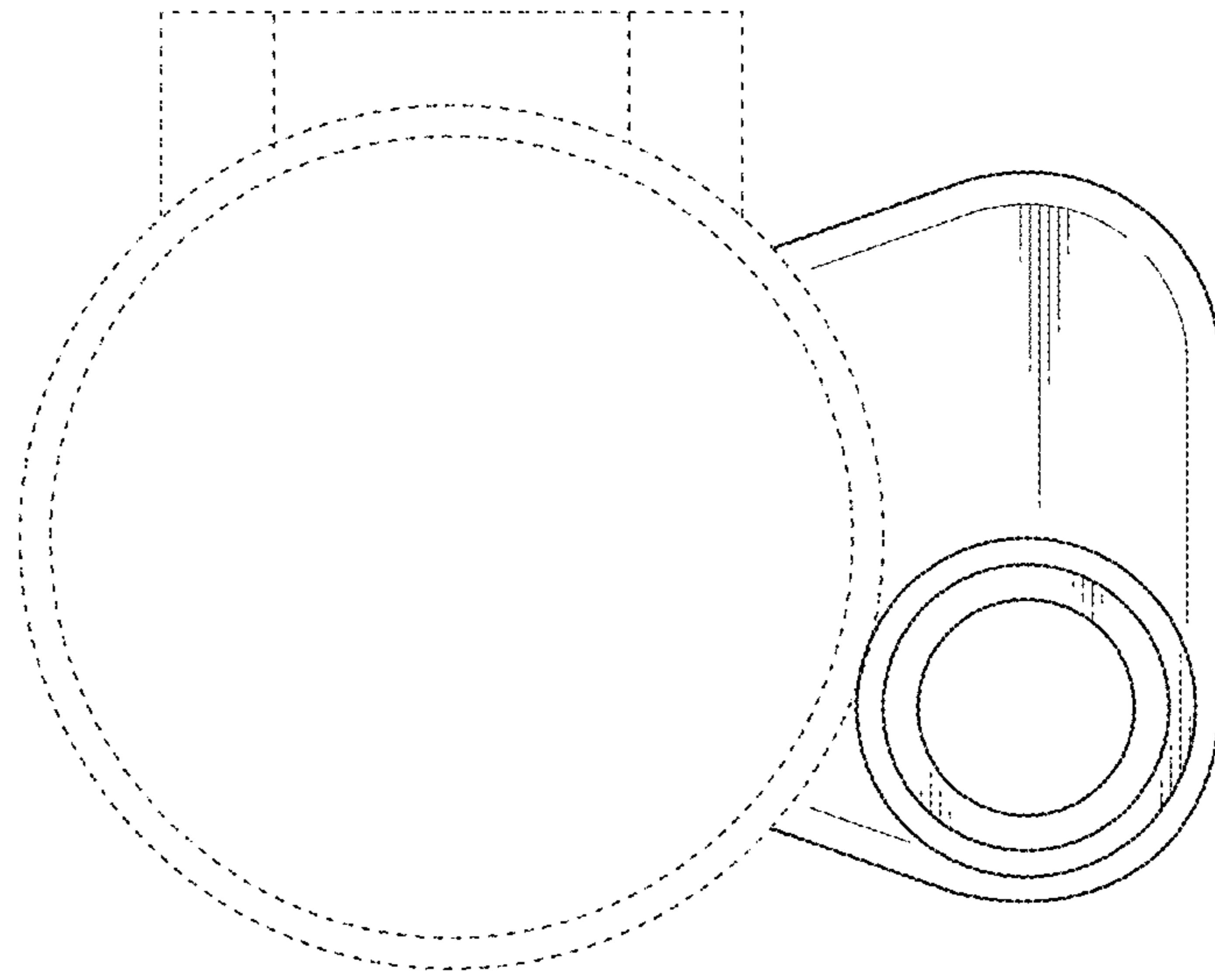


Fig. 7

