



US00D773668S

(12) **United States Design Patent** (10) **Patent No.:** **US D773,668 S**
Mizumura et al. (45) **Date of Patent:** **** Dec. 6, 2016**

(54) **X-RAY TUBE FOR MEDICAL USE**

(71) Applicant: **Toshiba Electron Tubes & Devices Co., Ltd.**, Otawara, Tochigi (JP)

(72) Inventors: **Yuki Mizumura**, Otawara (JP); **Masaji Kanagami**, Utsunomiya (JP)

(73) Assignee: **Toshiba Electron Tubes & Devices Co., Ltd.**, Otawara, Tochigi (JP)

(**) Term: **15 Years**

(21) Appl. No.: **29/537,933**

(22) Filed: **Aug. 31, 2015**

(30) **Foreign Application Priority Data**

May 25, 2015 (JP) 2015-011404
May 25, 2015 (JP) 2015-011429

(51) **LOC (10) Cl.** **24-01**

(52) **U.S. Cl.**
USPC **D24/158**

(58) **Field of Classification Search**
USPC D24/158-161, 186, 107, 209, 210;
D13/180
CPC H05G 1/02; H05G 1/025; H05G 1/04;
H05G 1/06; H05G 1/10; H01J 2235/068;
H01J 35/025
See application file for complete search history.

(56) **References Cited**

U.S. PATENT DOCUMENTS

D290,500 S * 6/1987 Makas D24/158
6,352,363 B1 * 3/2002 Munger H05G 1/04
378/203

7,016,472 B2 * 3/2006 Subraya H01J 35/18
378/140
D671,217 S * 11/2012 Moon D24/158
D702,351 S * 4/2014 Li D24/158
D726,920 S * 4/2015 Ishihara D24/158
D726,921 S * 4/2015 Ishihara D24/158
2008/0187106 A1 * 8/2008 Grady H05G 1/08
378/144
2008/0260105 A1 * 10/2008 Schaefer H01J 35/06
378/199
2008/0317210 A1 * 12/2008 Lu H05G 1/04
378/141
2009/0161830 A1 * 6/2009 Inazuru H01J 35/04
378/138

* cited by examiner

Primary Examiner — Anhdao Doan

(74) *Attorney, Agent, or Firm* — Banner & Witcoff, Ltd.

(57) **CLAIM**

The ornamental design for a x-ray tube for medical use, as shown and described.

DESCRIPTION

FIG. 1 is a perspective view of a x-ray tube for medical use showing our new design,
FIG. 2 is a front elevational view thereof,
FIG. 3 is a rear elevational view thereof,
FIG. 4 is a top plan view thereof,
FIG. 5 is a bottom plan view thereof; and,
FIG. 6 is a left side elevational view, a right side elevational view being a mirror image thereof.
The broken lines illustrate portions of the x-ray tube for medical use that form no part of the claimed design. The broken lines form no part of the claimed design.

1 Claim, 4 Drawing Sheets

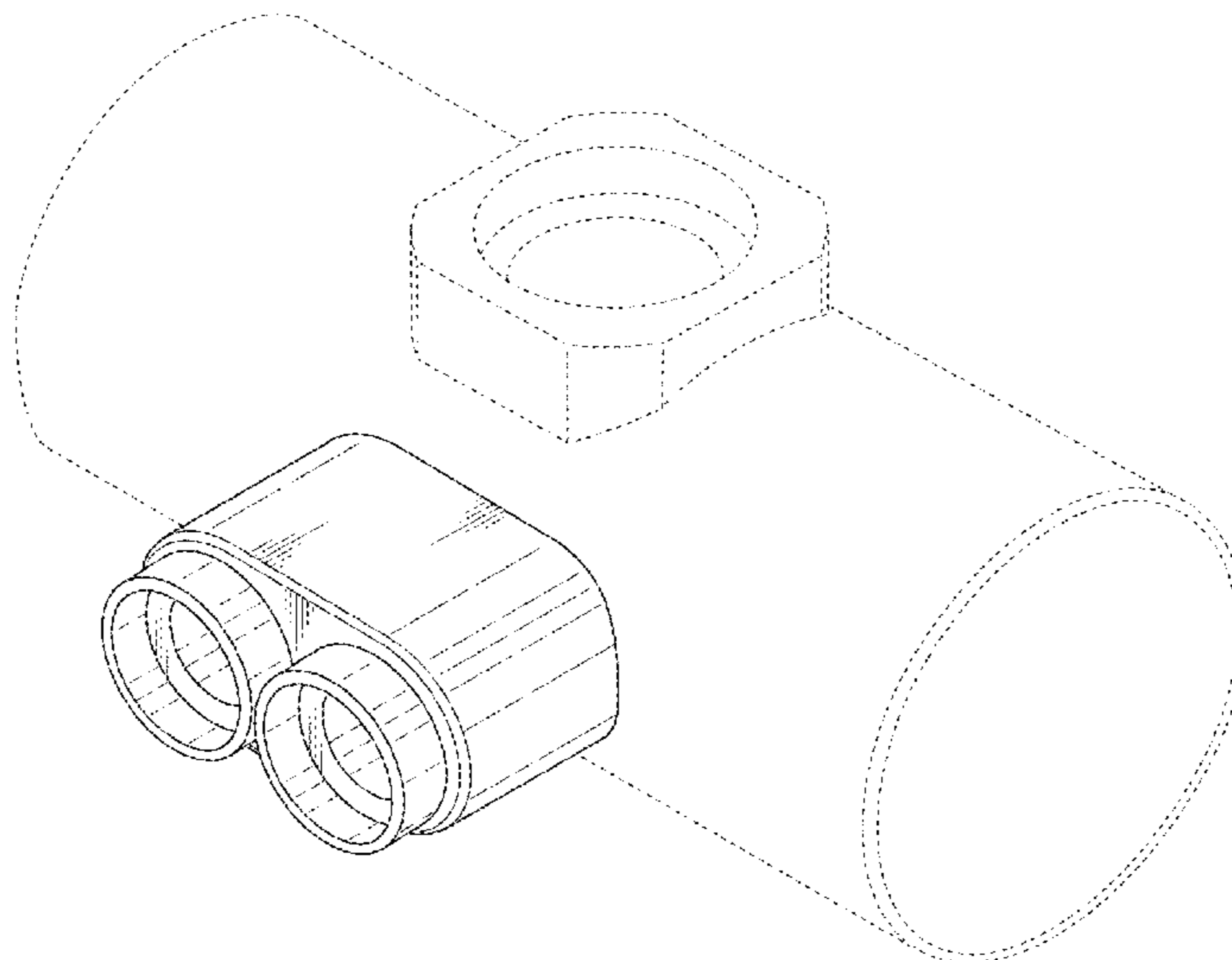


Fig. 1

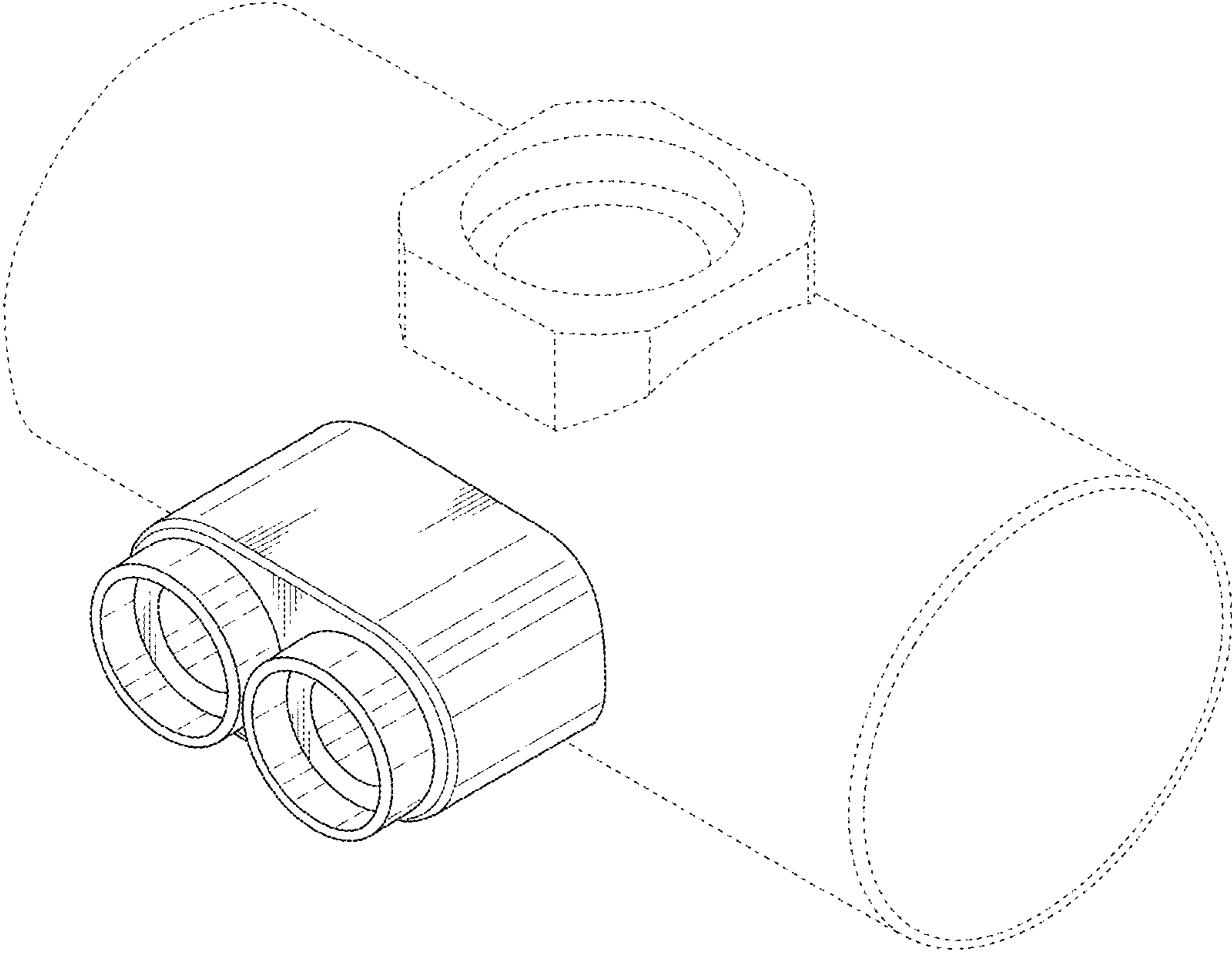


Fig. 2

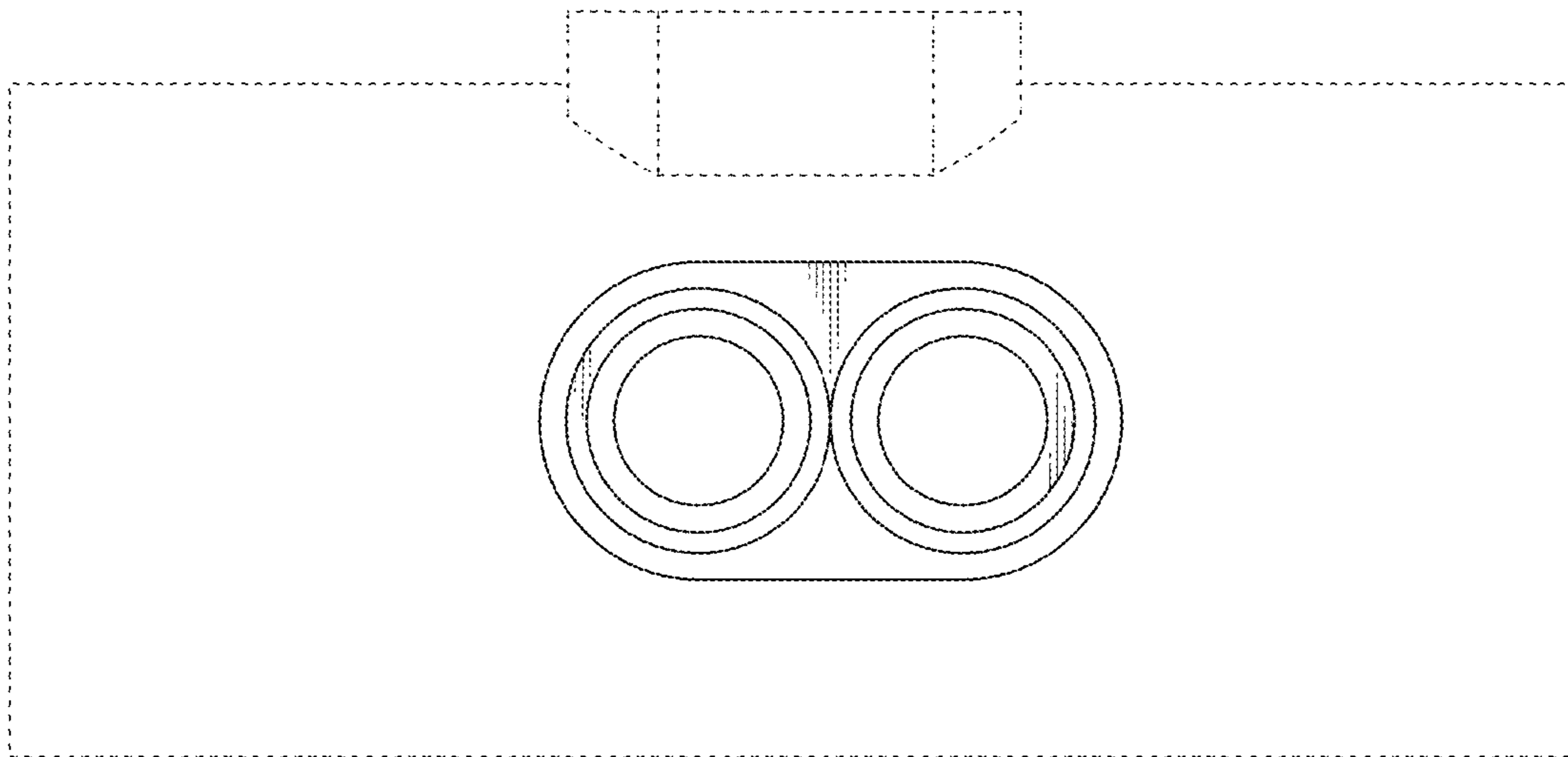


Fig. 3

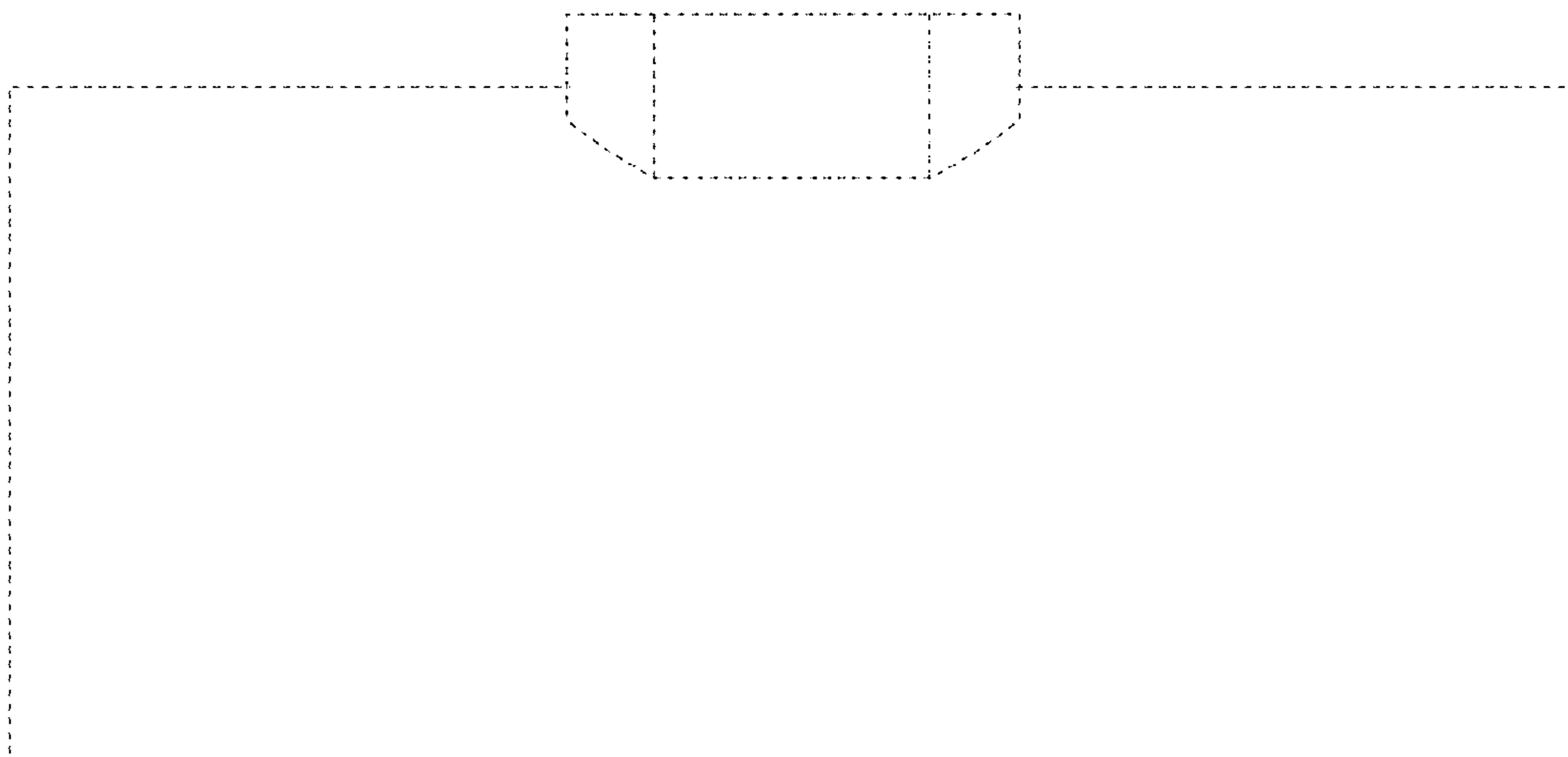


Fig. 4

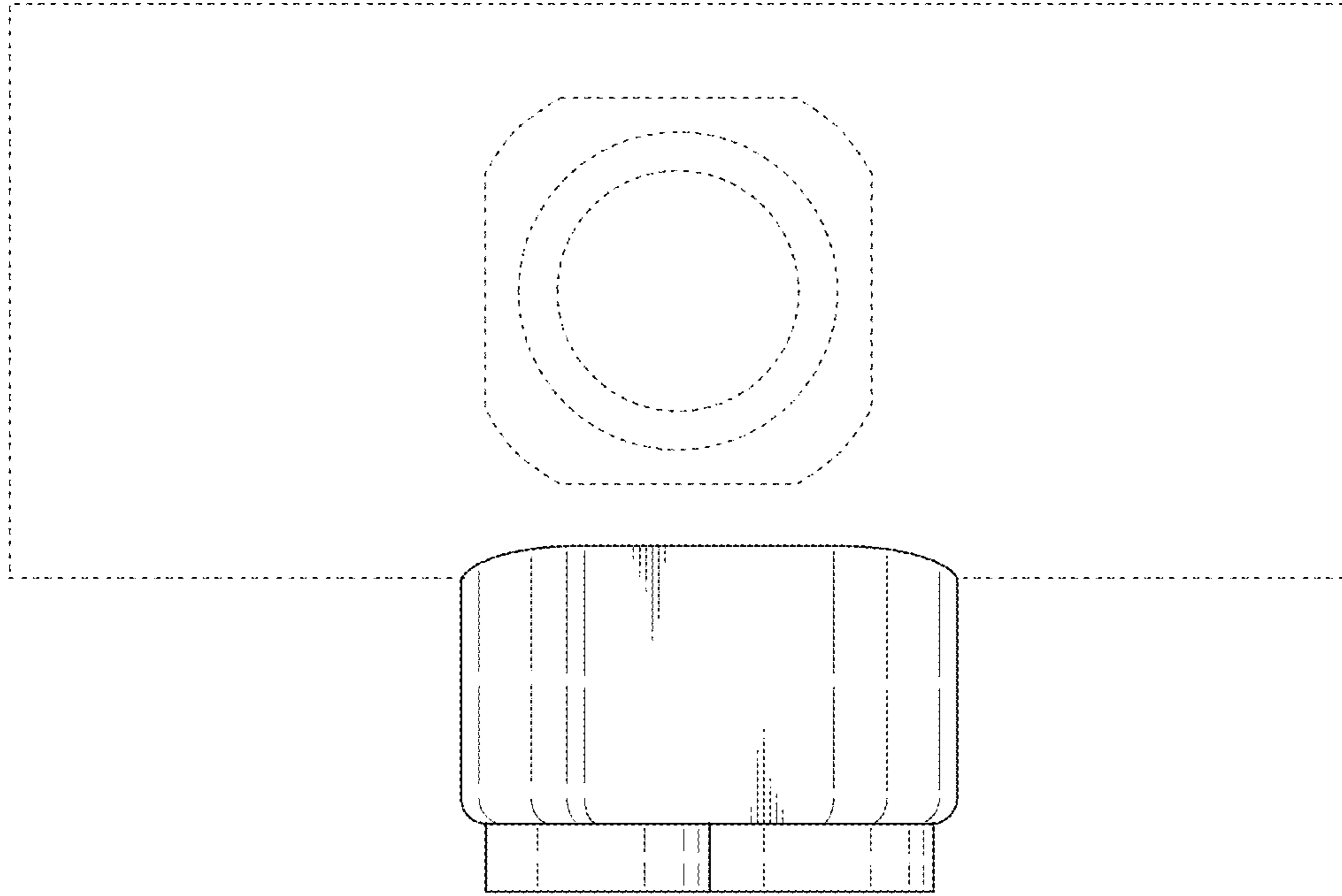


Fig. 5

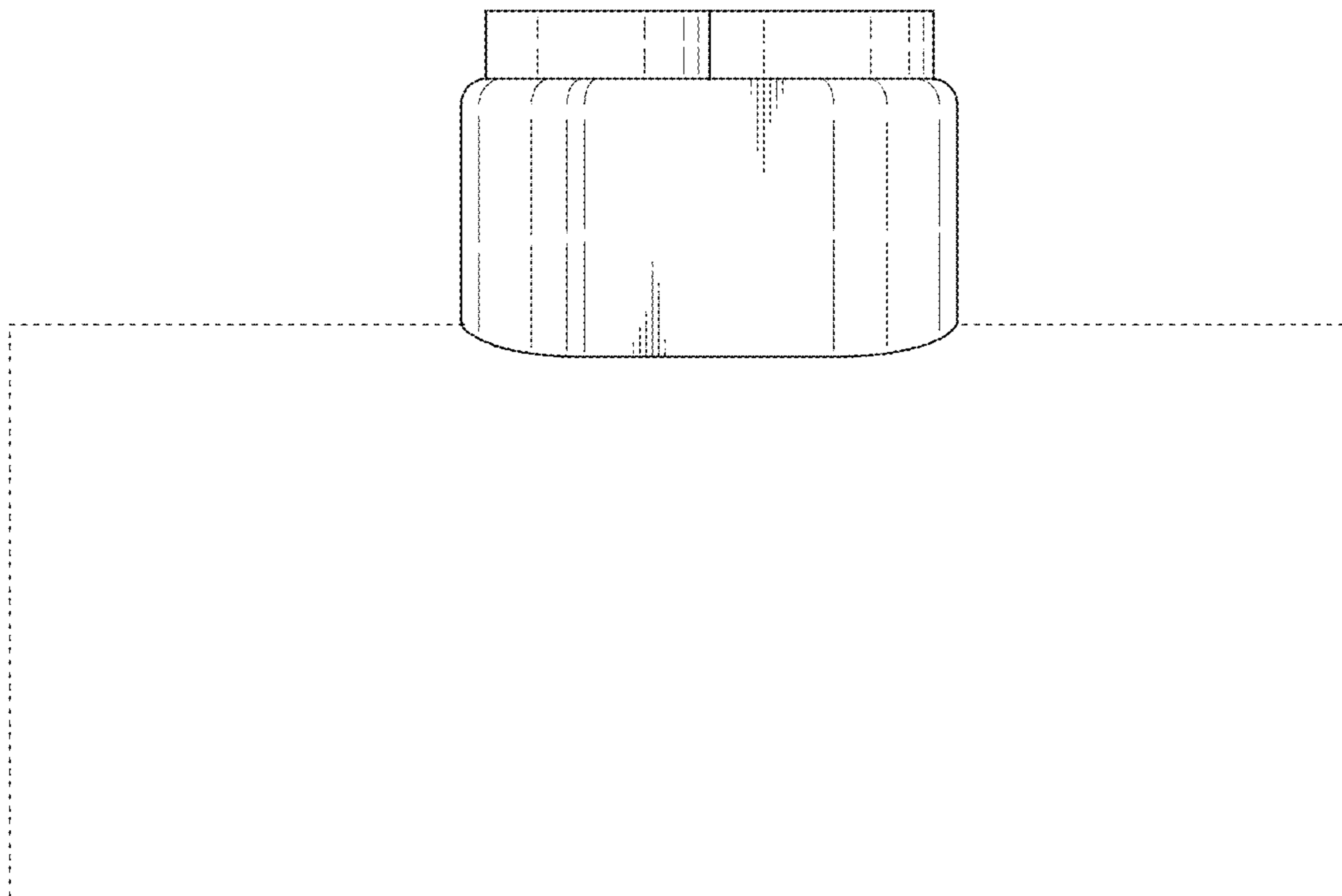


Fig. 6

