



US00D773667S

(12) **United States Design Patent** (10) **Patent No.:** **US D773,667 S**
Morfa et al. (45) **Date of Patent:** **** Dec. 6, 2016**

(54) **CLIP FOR RADIOLOGY MARKERS**

(71) Applicant: **PB Markers, Inc.**, Hialeah, FL (US)

(72) Inventors: **Kevin D. Morfa**, Miramar, FL (US);
Gonzalo D. Morfa, Miramar, FL (US)

(73) Assignee: **PB Markers, Inc.**, Hialeah, FL (US)

(**) Term: **14 Years**

(21) Appl. No.: **29/516,479**

(22) Filed: **Feb. 3, 2015**

(51) **LOC (10) Cl.** **24-01**

(52) **U.S. Cl.**
USPC **D24/158**

(58) **Field of Classification Search**
USPC D24/158-161, 186, 187, 231, 128;
D8/394
CPC G03B 42/025; G03B 42/042; G03B 42/047;
A61B 6/4435; A61B 6/145; A61B 90/39
See application file for complete search history.

(56) **References Cited**

U.S. PATENT DOCUMENTS

4,127,774	A *	11/1978	Gillen	G03B 42/047 378/162
5,592,527	A *	1/1997	Ray	G03B 42/047 378/162
5,640,438	A *	6/1997	Talluto	G03B 42/047 378/162
D415,566	S *	10/1999	Joyner	D24/158
D424,198	S *	5/2000	Shepherd	D24/158
D589,337	S *	3/2009	Karlsson	D8/394

D697,786	S *	1/2014	McMahon	D6/310
2004/0081284	A1 *	4/2004	Livingston	G03B 42/047 378/162
2013/0131505	A1 *	5/2013	Daon	A61B 6/145 600/426

* cited by examiner

Primary Examiner — Anhdao Doan

(74) *Attorney, Agent, or Firm* — Nancy J. Flint, Esq.;
Nancy J. Flint, Attorney at Law, P.A.

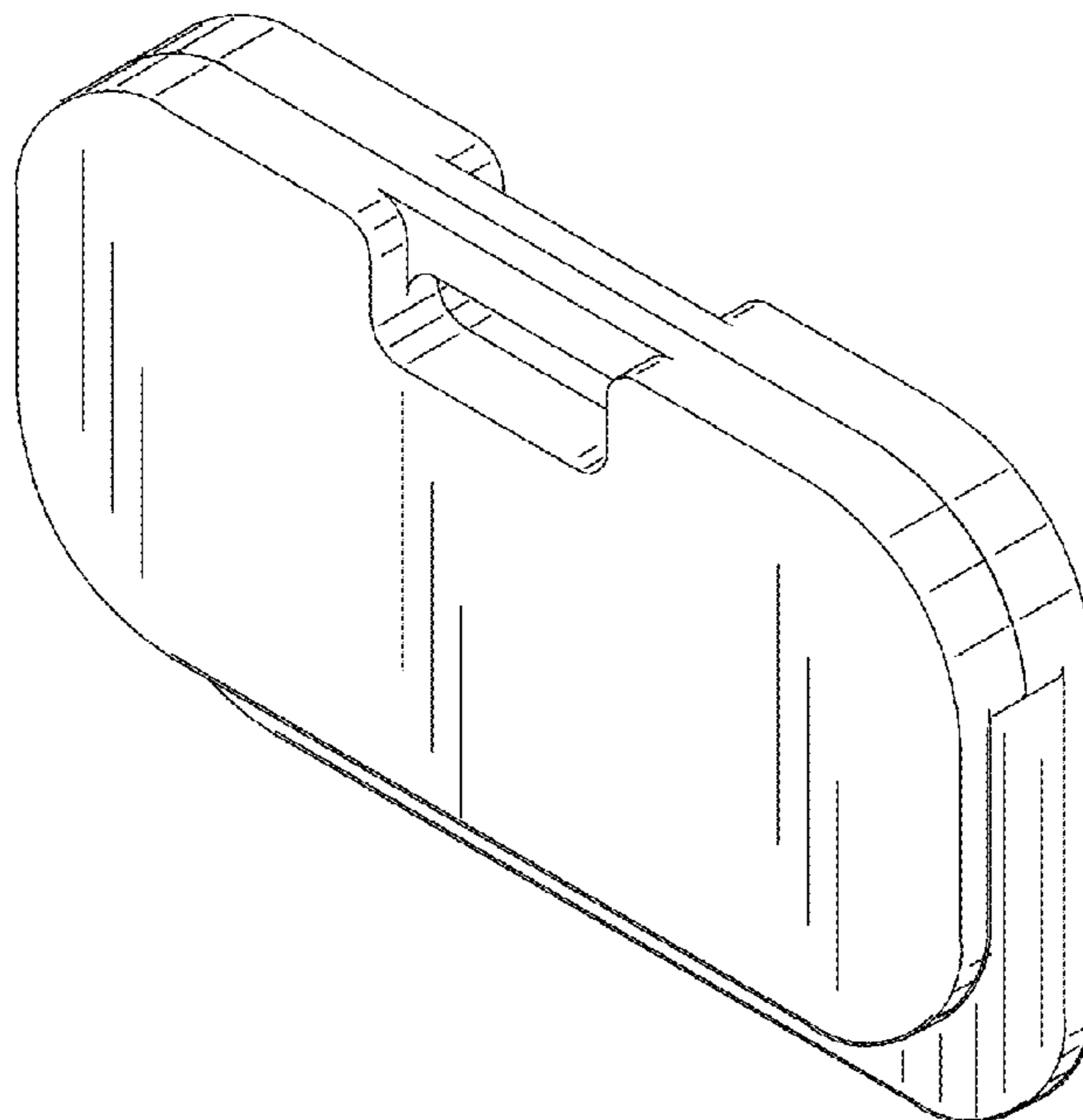
(57) **CLAIM**

The ornamental design for a clip for radiology markers, as shown and described.

DESCRIPTION

FIG. 1 is a front perspective view of a clip for radiology markers showing our new design;
FIG. 2 is a back perspective view of a clip for radiology markers;
FIG. 3 is a front view of a clip for radiology markers;
FIG. 4 is a back view of a clip for radiology markers;
FIG. 5 is a top view of a clip for radiology markers;
FIG. 6 is a bottom view of a clip for radiology markers;
FIG. 7 is a right side view of a clip for radiology markers;
FIG. 8 is a front perspective view of a clip for radiology markers showing the insertion of two radiology markers to be retained; and,
FIG. 9 is a front perspective view of a clip for radiology markers retaining two radiology markers.
Left side views not shown are mirror images of right side views. Broken lines in FIGS. 8 and 9 illustrate environmental subject matter and are for illustrative purposes only. The broken lines form no part of the claimed design.

1 Claim, 5 Drawing Sheets



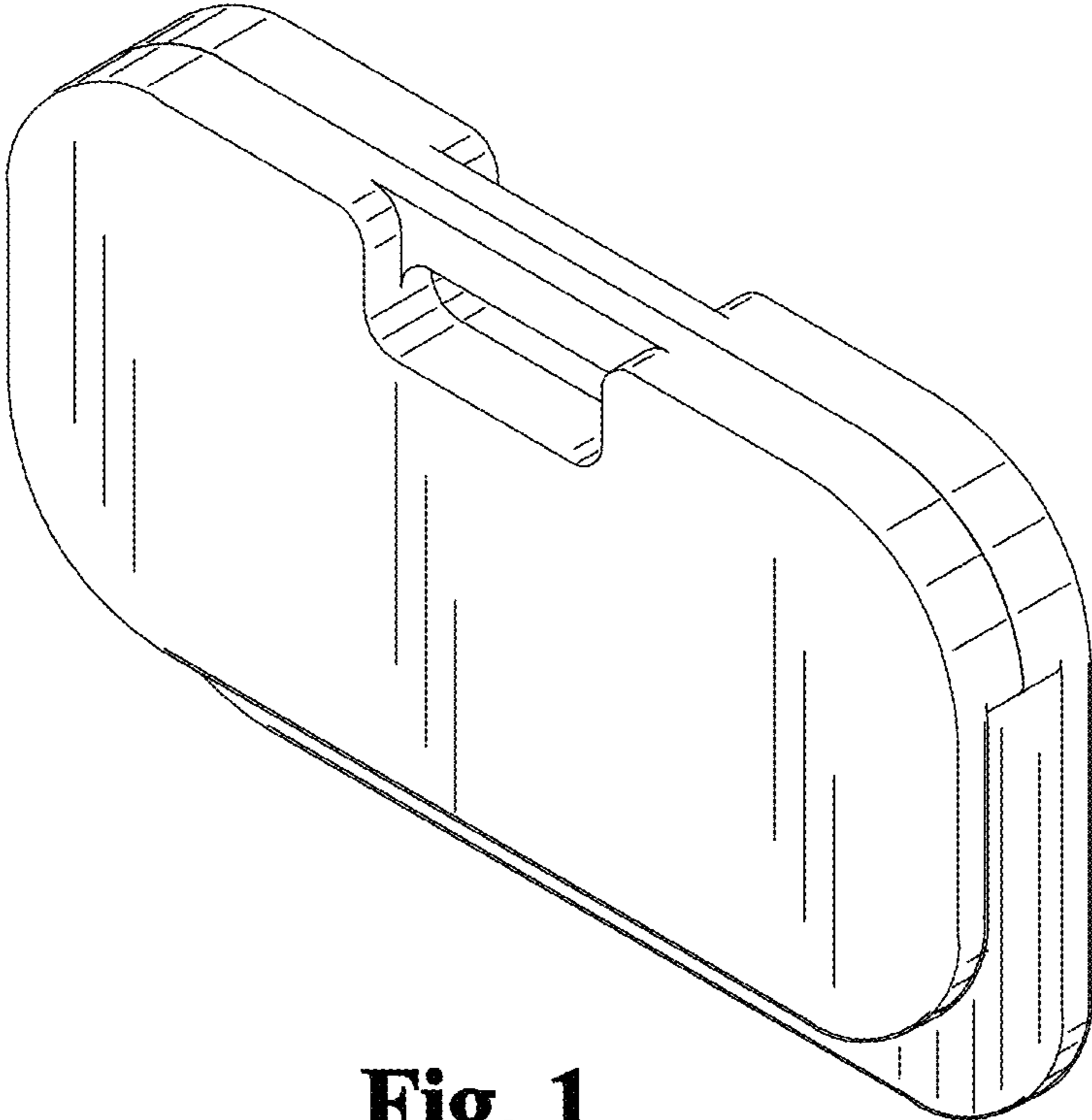


Fig. 1

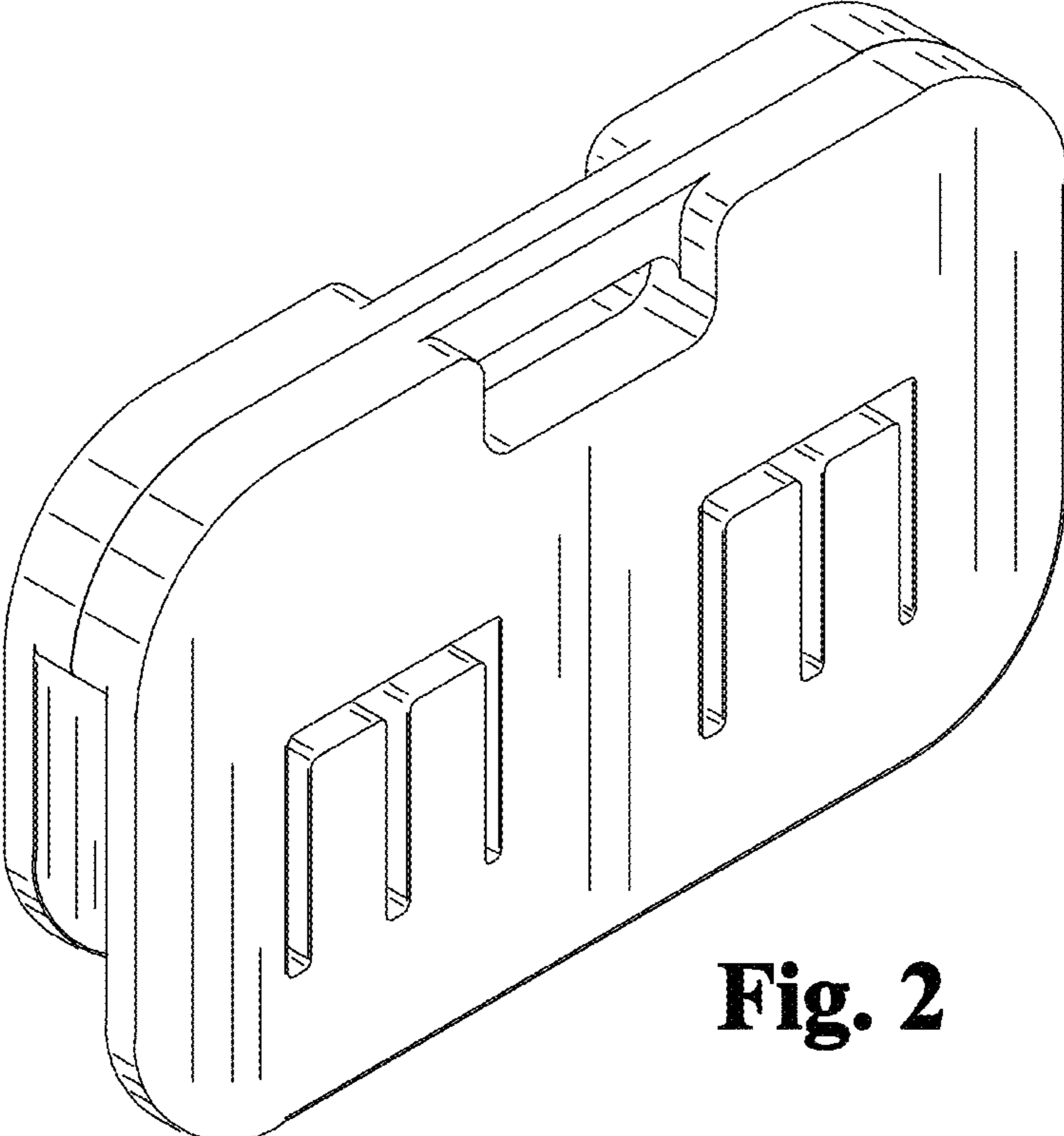


Fig. 2

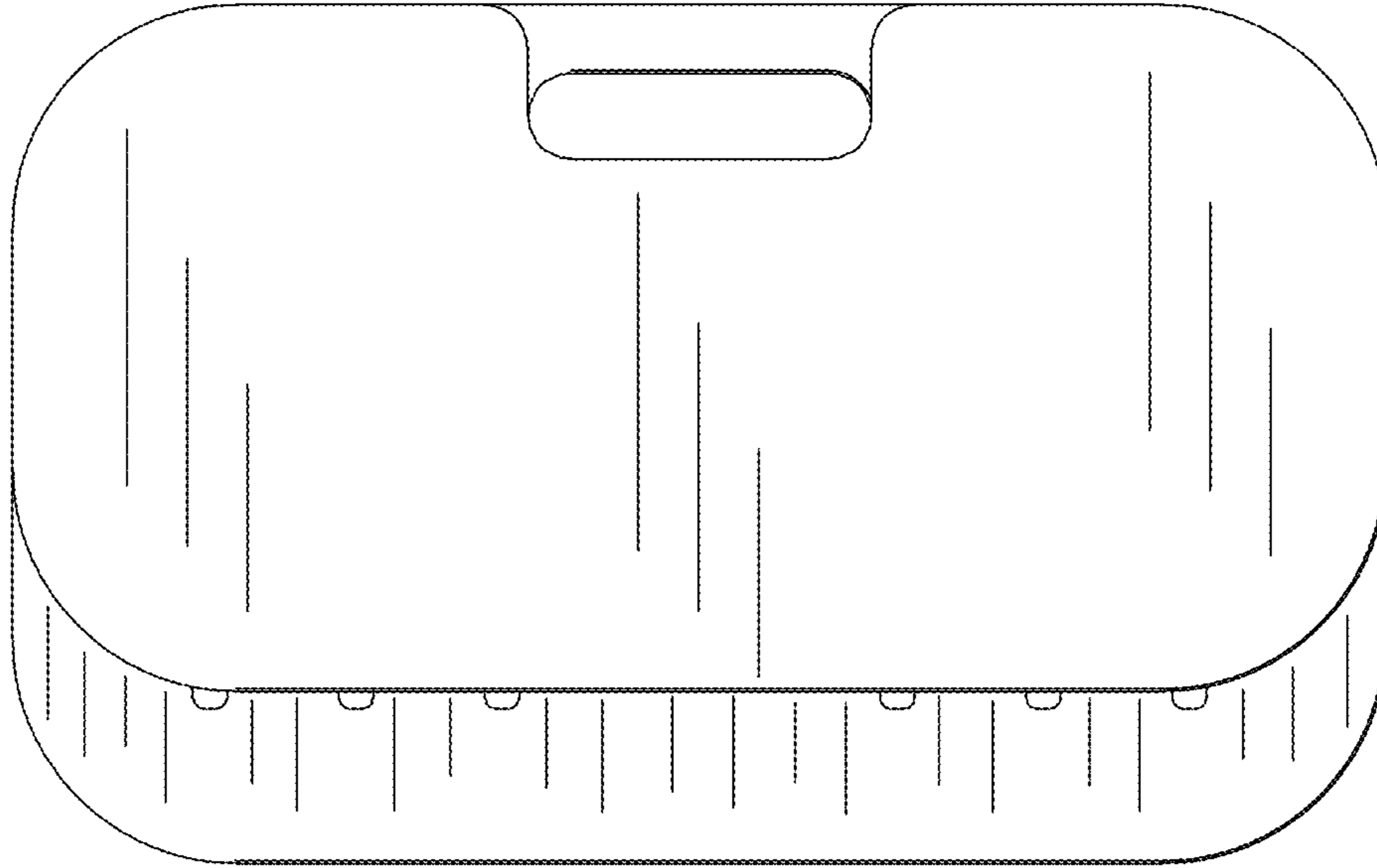


Fig. 3

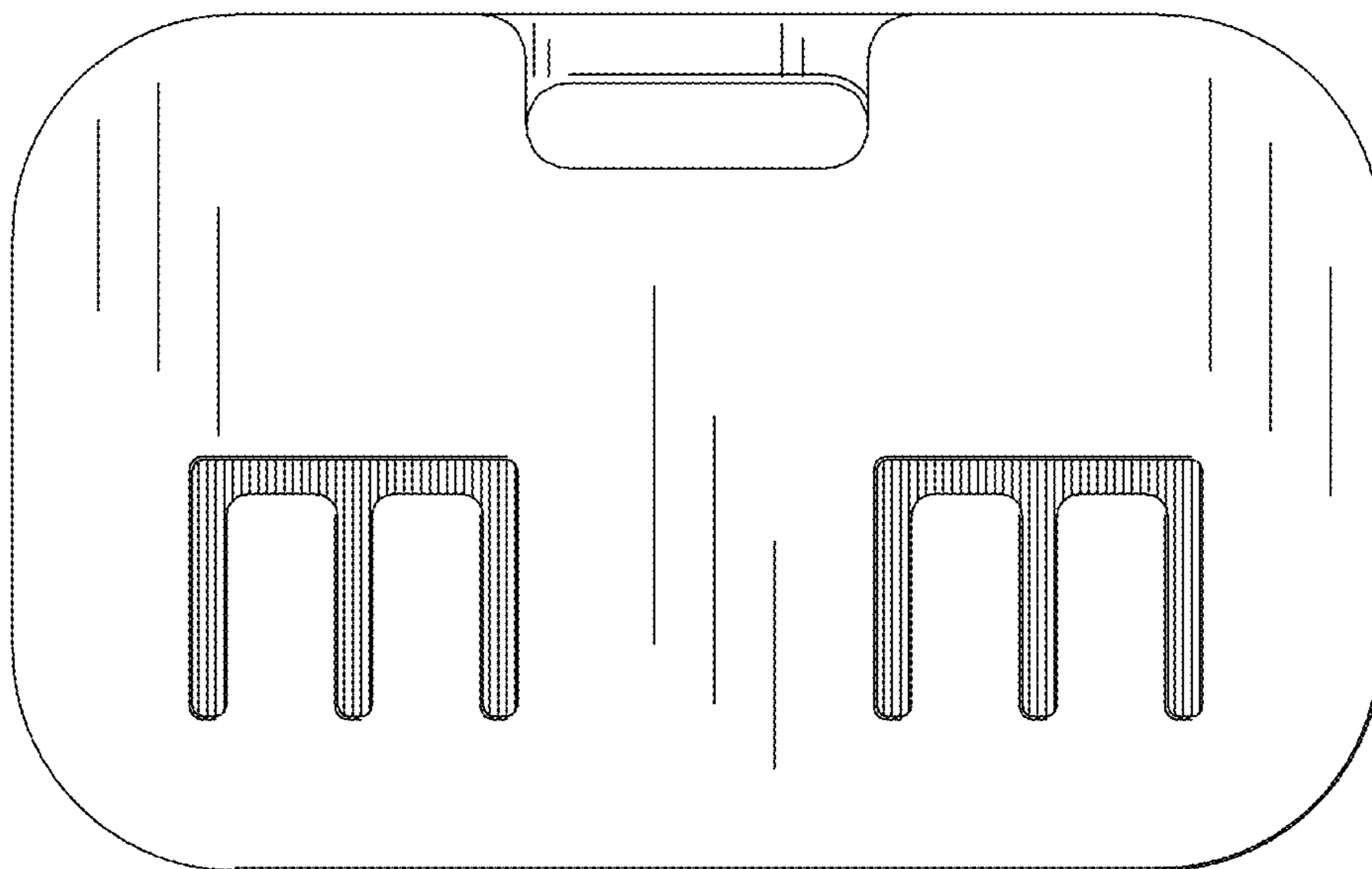


Fig. 4

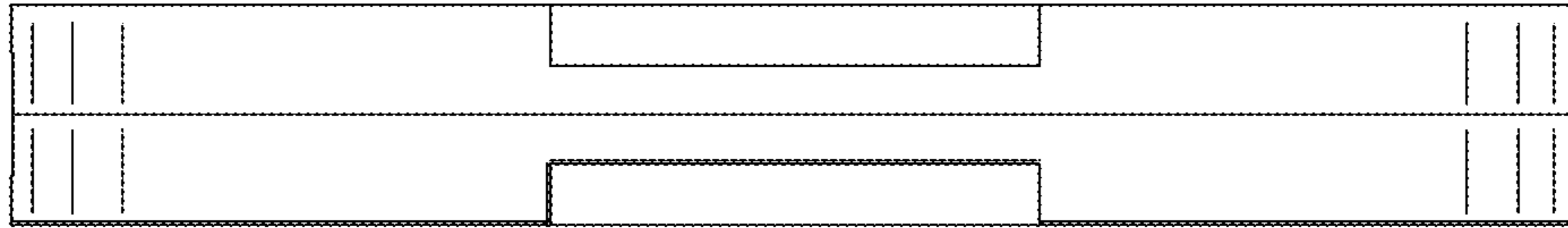


Fig. 5

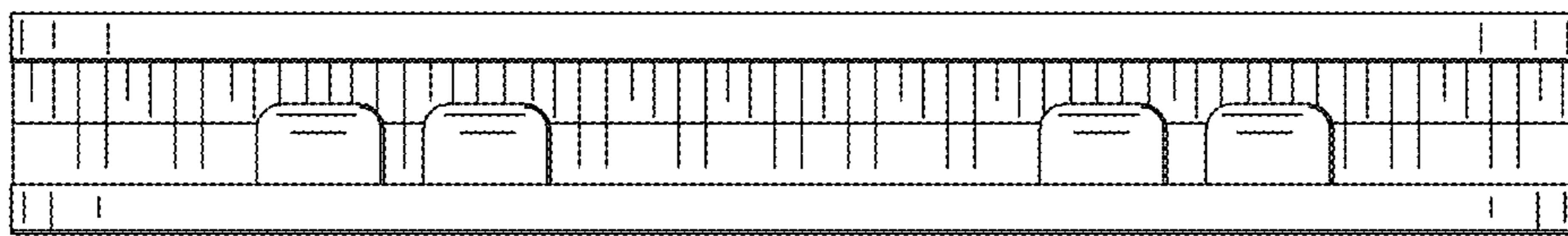


Fig. 6

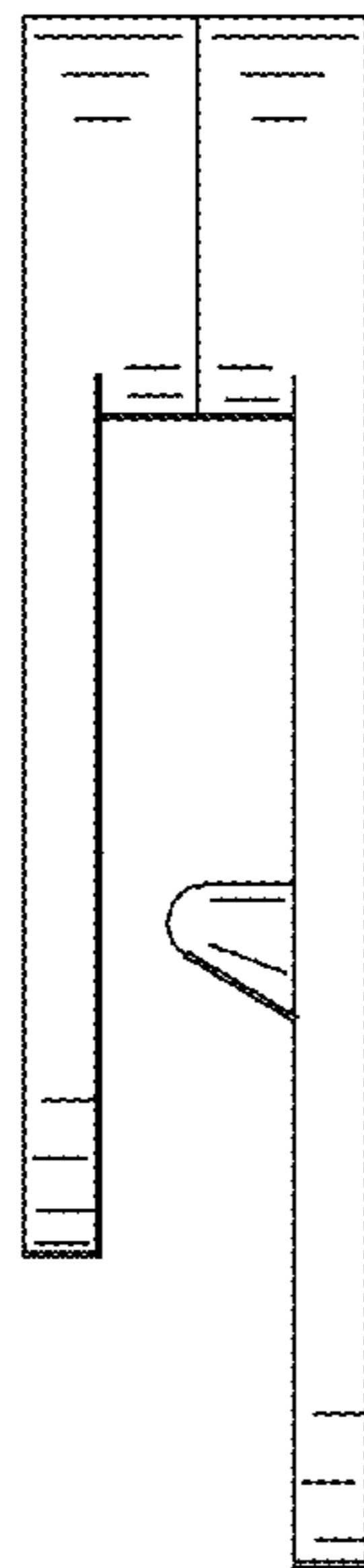


Fig. 7

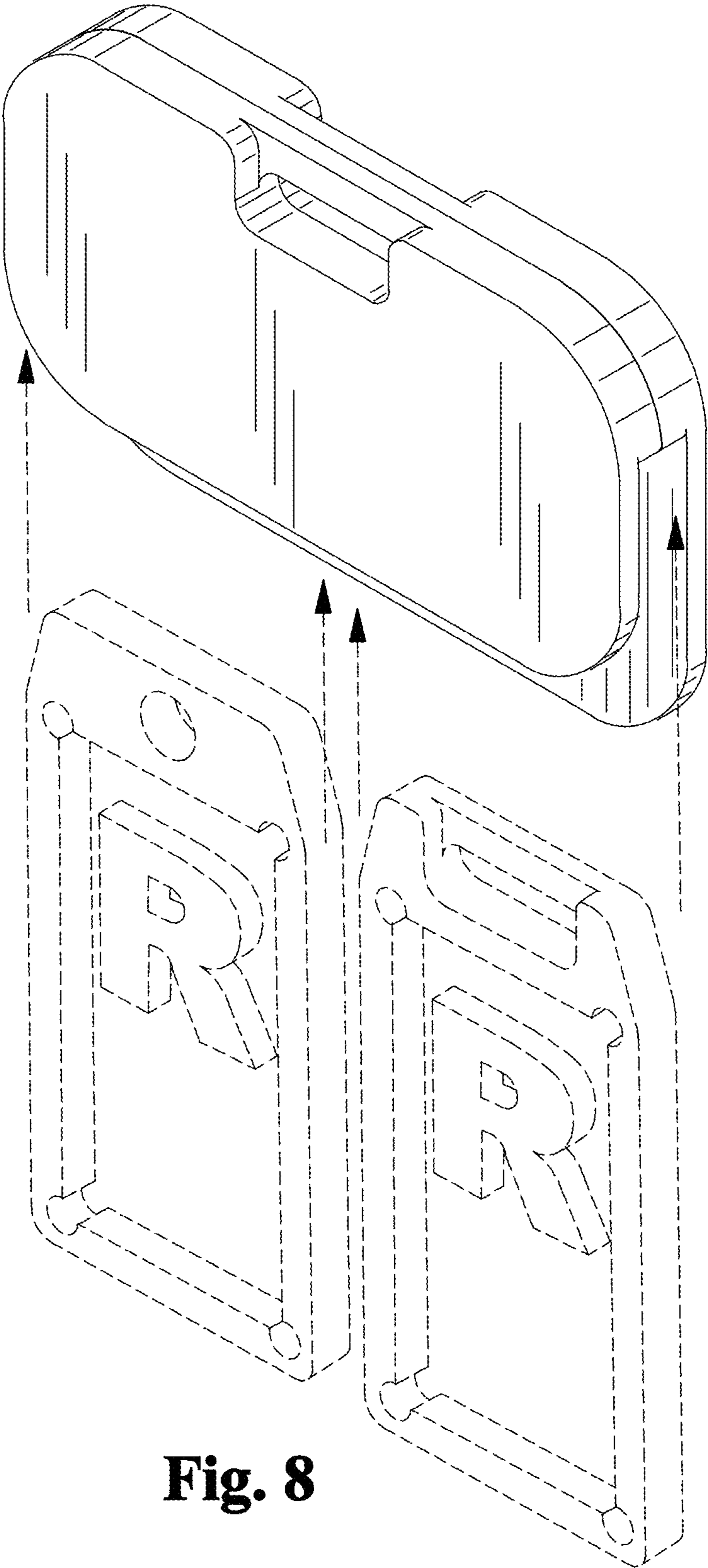


Fig. 8

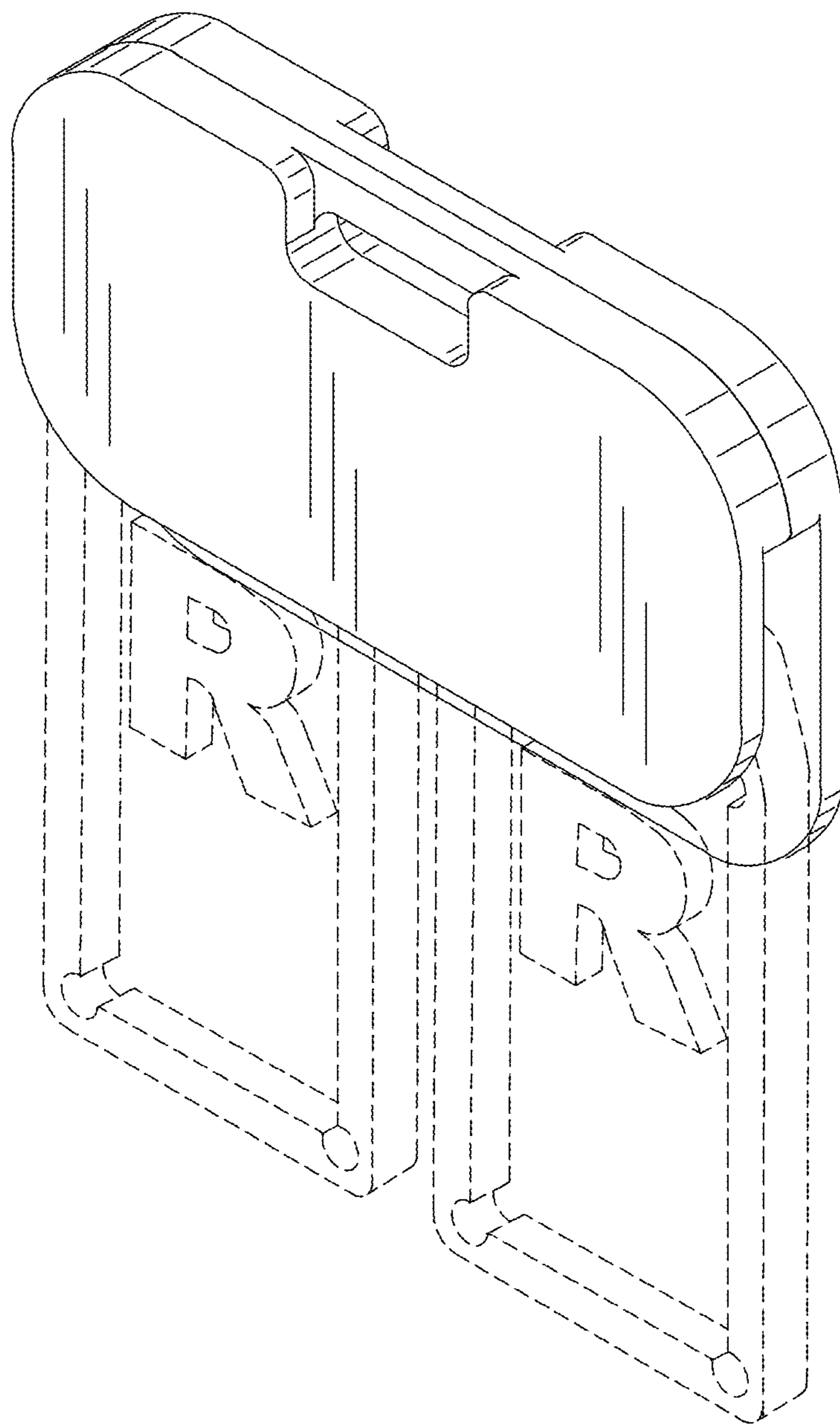


Fig. 9