



US00D773666S

(12) **United States Design Patent**
Cheney et al.

(10) **Patent No.:** **US D773,666 S**

(45) **Date of Patent:** **** Dec. 6, 2016**

- (54) **ORTHOPEdic IMPLANT**
- (71) Applicant: **BioMedical Enterprises, Inc.**, San Antonio, TX (US)
- (72) Inventors: **Daniel F. Cheney**, San Antonio, TX (US); **Mark S. Myerson**, Baltimore, MD (US); **John Kent Ellington**, Charlotte, NC (US); **Thomas J. Chang**, Santa Rosa, CA (US); **J. Chris Coetzee**, Eagan, MN (US); **Bryan D. Den Hartog**, Urbandale, IA (US); **Anish R. Kadakia**, Glenview, IL (US)

- 7,398,907 B2 * 7/2008 Racenet A61B 17/0644
227/176.1
- D625,417 S * 10/2010 Fox D24/171
- 9,017,331 B2 * 4/2015 Fox A61B 17/0642
606/75
- 9,107,661 B2 * 8/2015 Euteneuer A61B 17/0642
- 9,271,726 B2 * 3/2016 Euteneuer A61B 17/0642
- 9,295,463 B2 * 3/2016 Viola A61B 17/0057
- 9,402,624 B1 * 8/2016 Scott A61B 17/0642

* cited by examiner

Primary Examiner — Charles Hanson

(74) *Attorney, Agent, or Firm* — Christopher L. Makay

- (73) Assignee: **BioMedical Enterprises, Inc.**, San Antonio, TX (US)

(57) **CLAIM**

The ornamental design for an orthopedic implant, as shown and described.

(**) Term: **15 Years**

DESCRIPTION

- (21) Appl. No.: **29/543,705**
- (22) Filed: **Oct. 27, 2015**
- (51) **LOC (10) Cl.** **24-02**
- (52) **U.S. Cl.**
USPC **D24/155**
- (58) **Field of Classification Search**
USPC D24/155–157
CPC A61B 17/0642; A61B 17/0682; A61B 17/0644; F16B 15/06
See application file for complete search history.

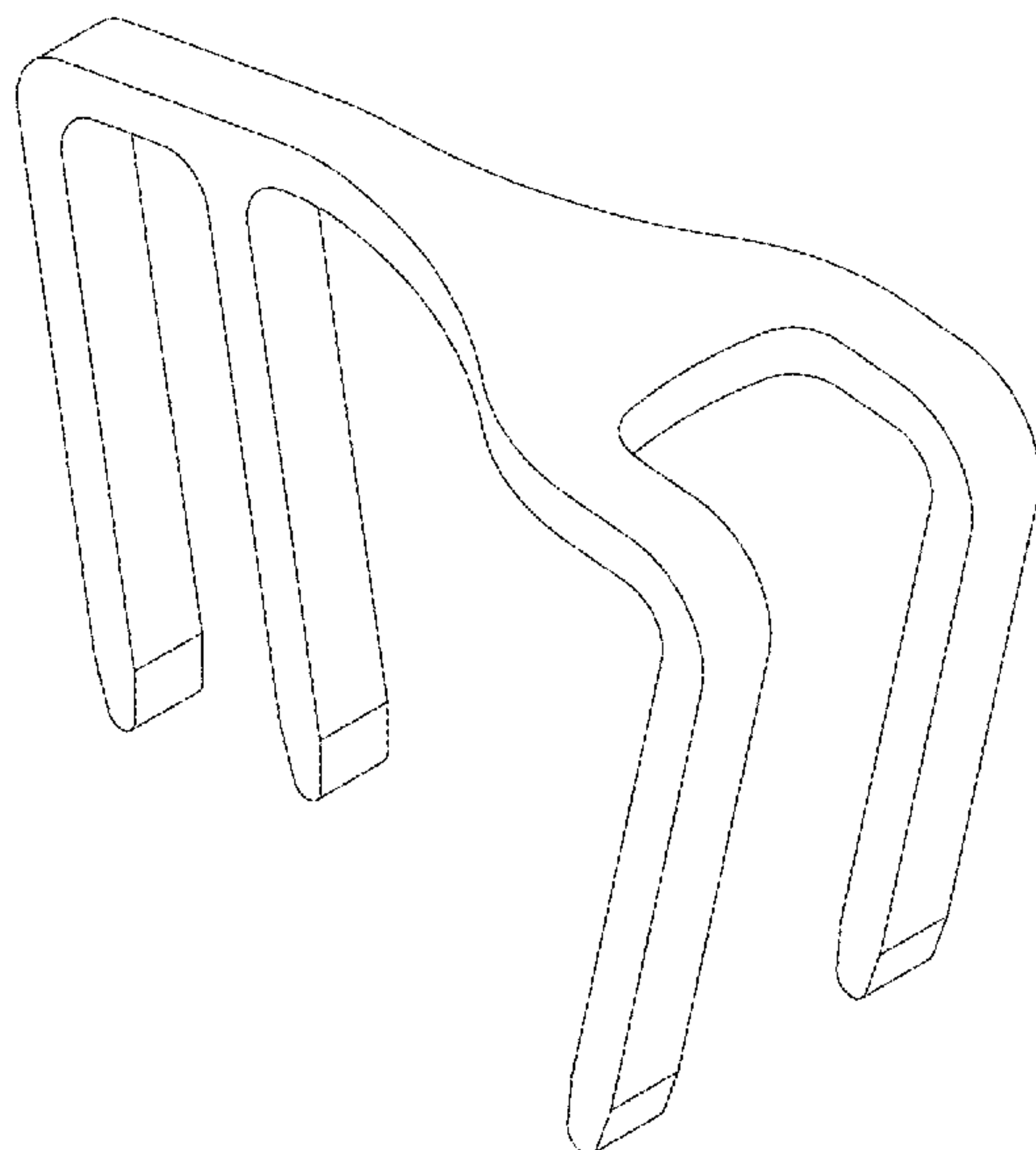
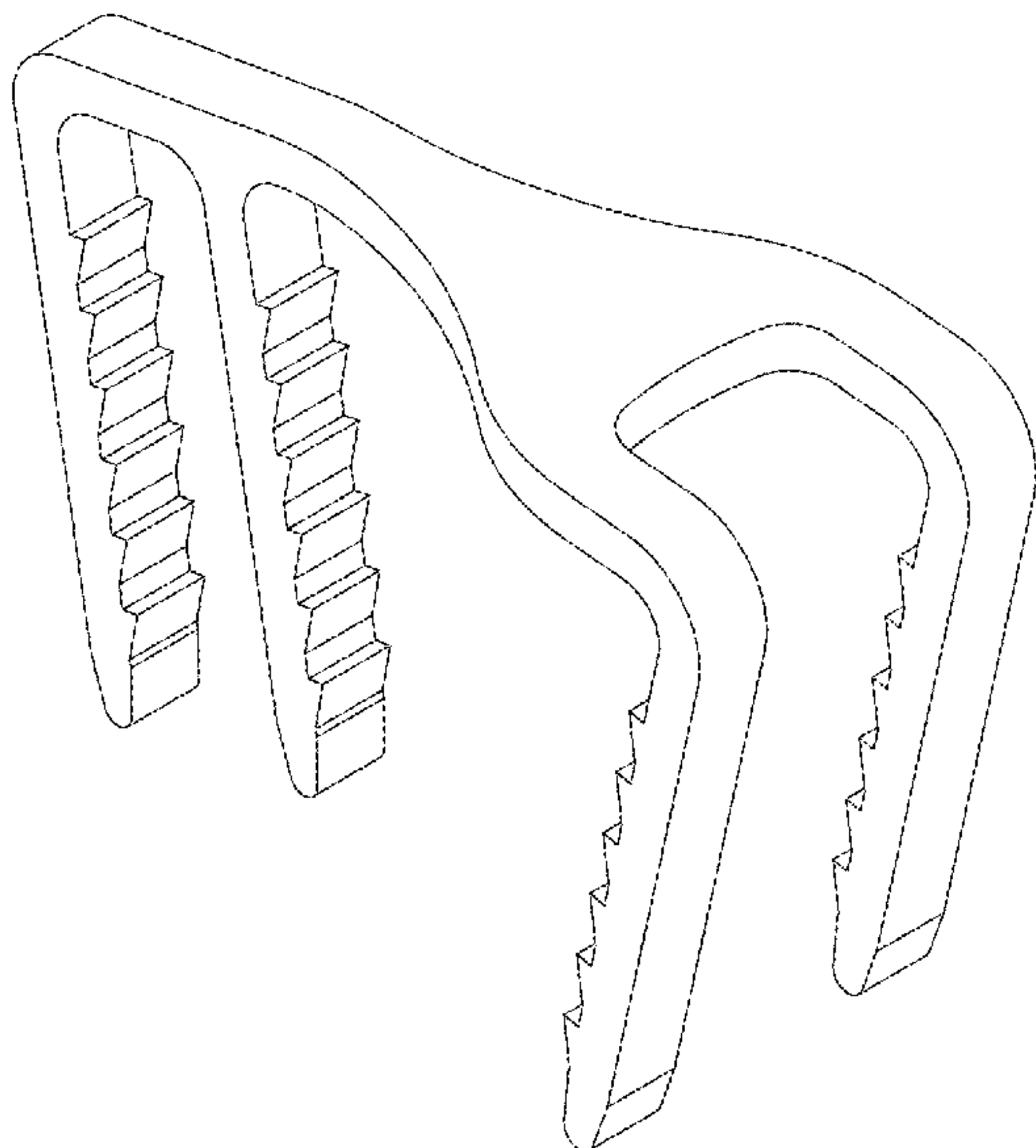
FIG. 1 is a perspective view of the orthopedic implant according to a first embodiment;
 FIG. 2 is a left side view thereof;
 FIG. 3 is a right side view thereof;
 FIG. 4 is a top view thereof;
 FIG. 5 is a bottom view thereof;
 FIG. 6 is a front view thereof;
 FIG. 7 is a rear view thereof;
 FIG. 8 is a perspective view of the orthopedic implant according to a second embodiment;
 FIG. 9 is a left side view thereof;
 FIG. 10 is a right side view thereof;
 FIG. 11 is a top view thereof;
 FIG. 12 is a bottom view thereof;
 FIG. 13 is a front view thereof; and,
 FIG. 14 is a rear view thereof.

(56) **References Cited**

U.S. PATENT DOCUMENTS

- 4,014,244 A * 3/1977 Larson F16B 15/06
411/451.3
- D281,814 S * 12/1985 Pratt D24/145
- D484,032 S * 12/2003 Del Re D8/390

1 Claim, 14 Drawing Sheets



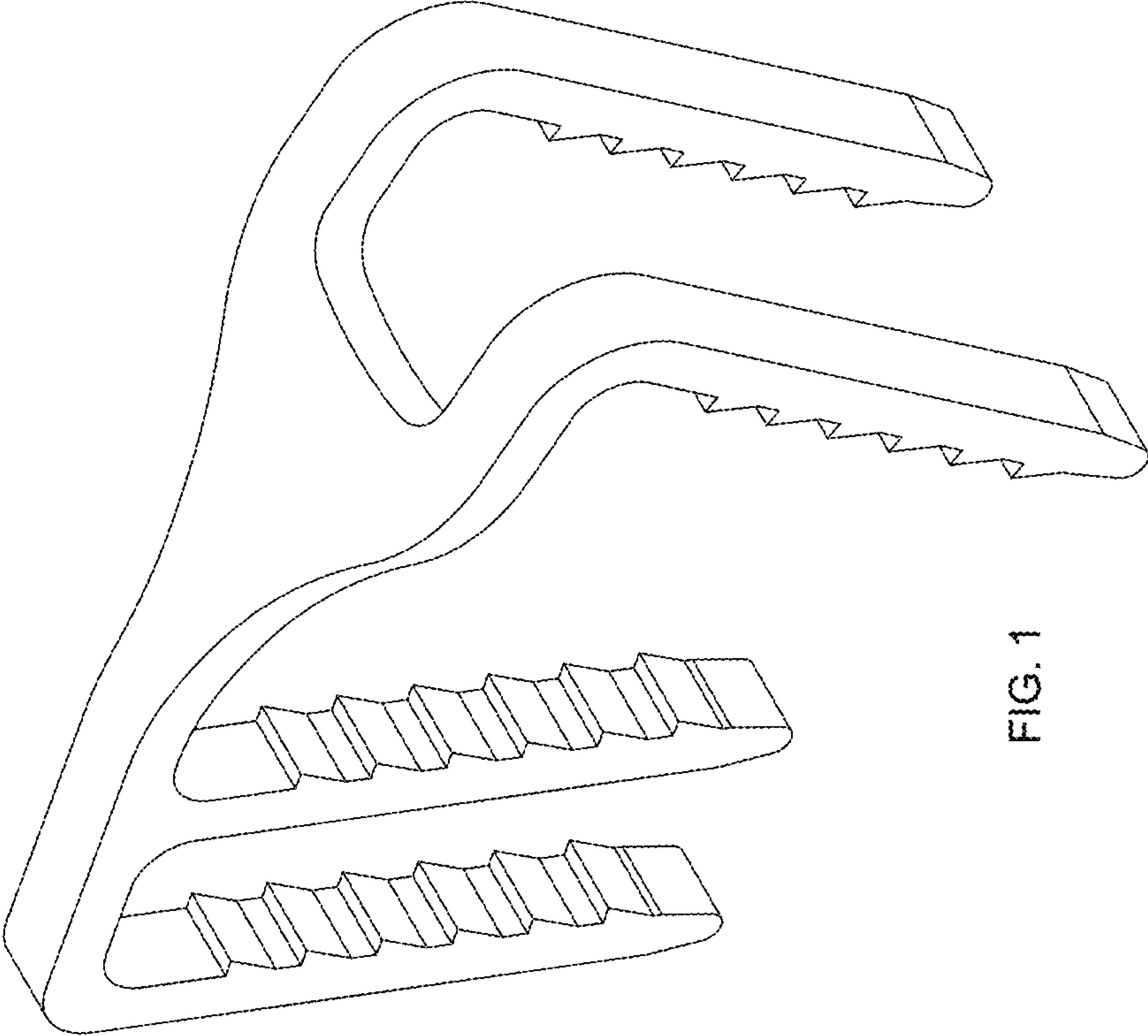


FIG. 1

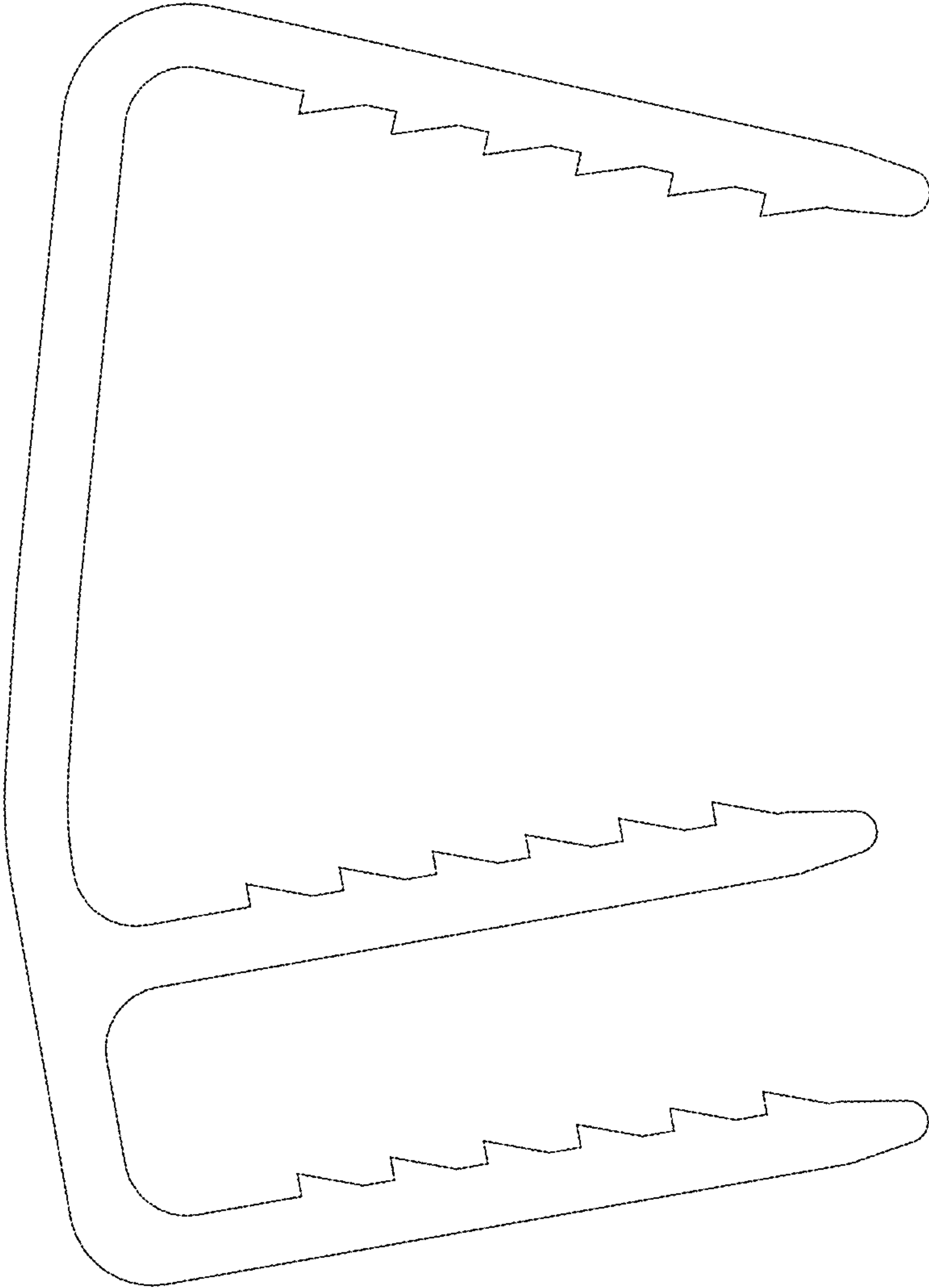


FIG. 2

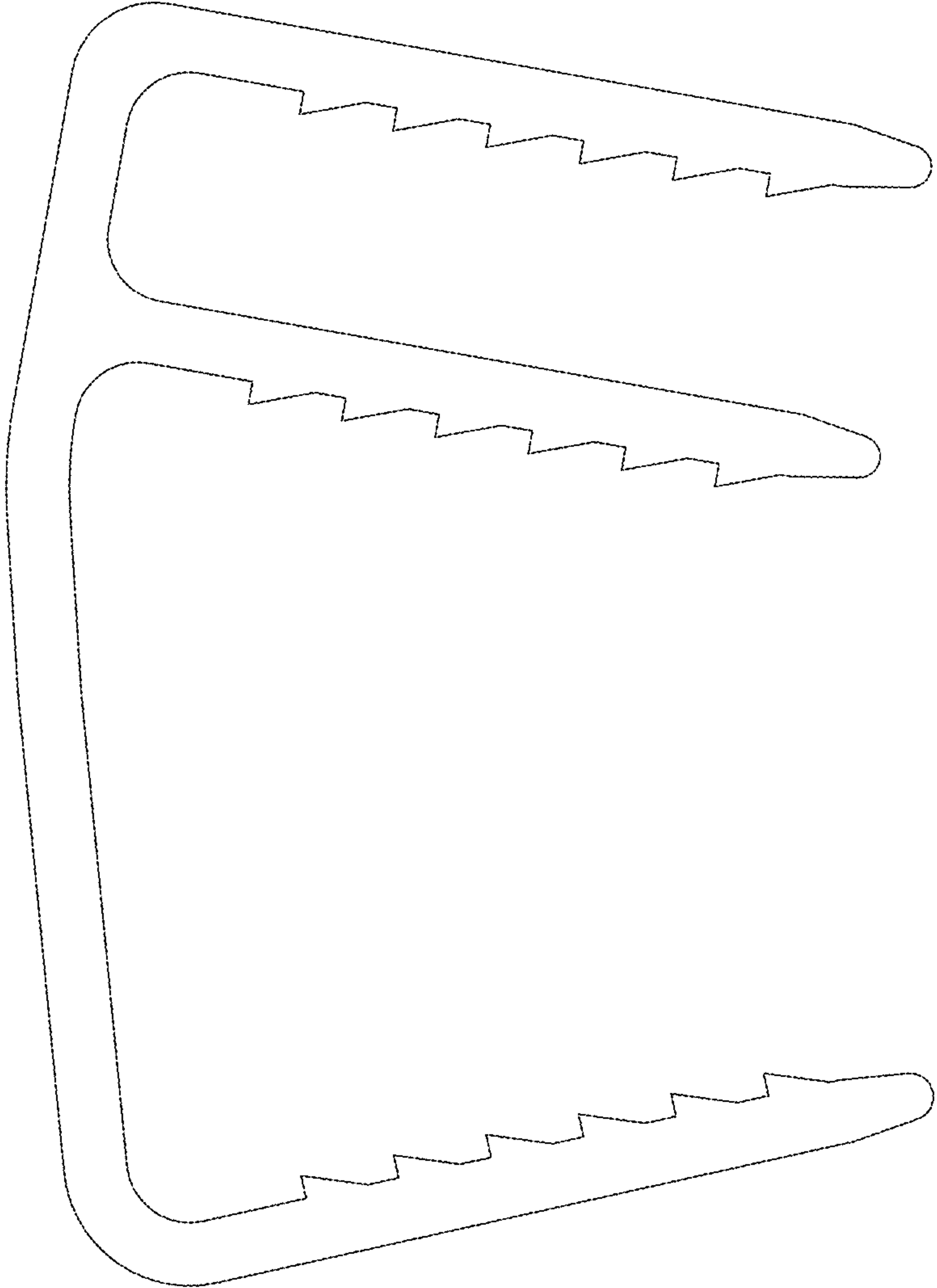


FIG. 3

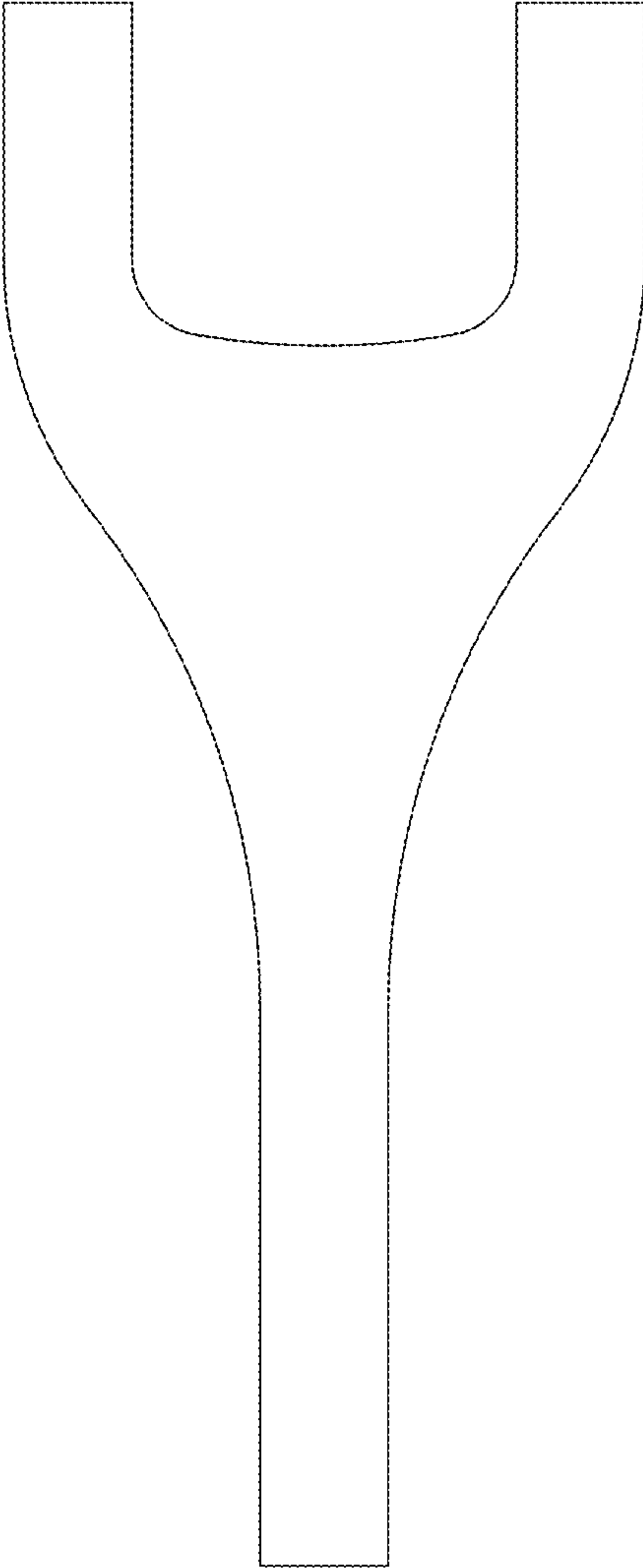


FIG. 4

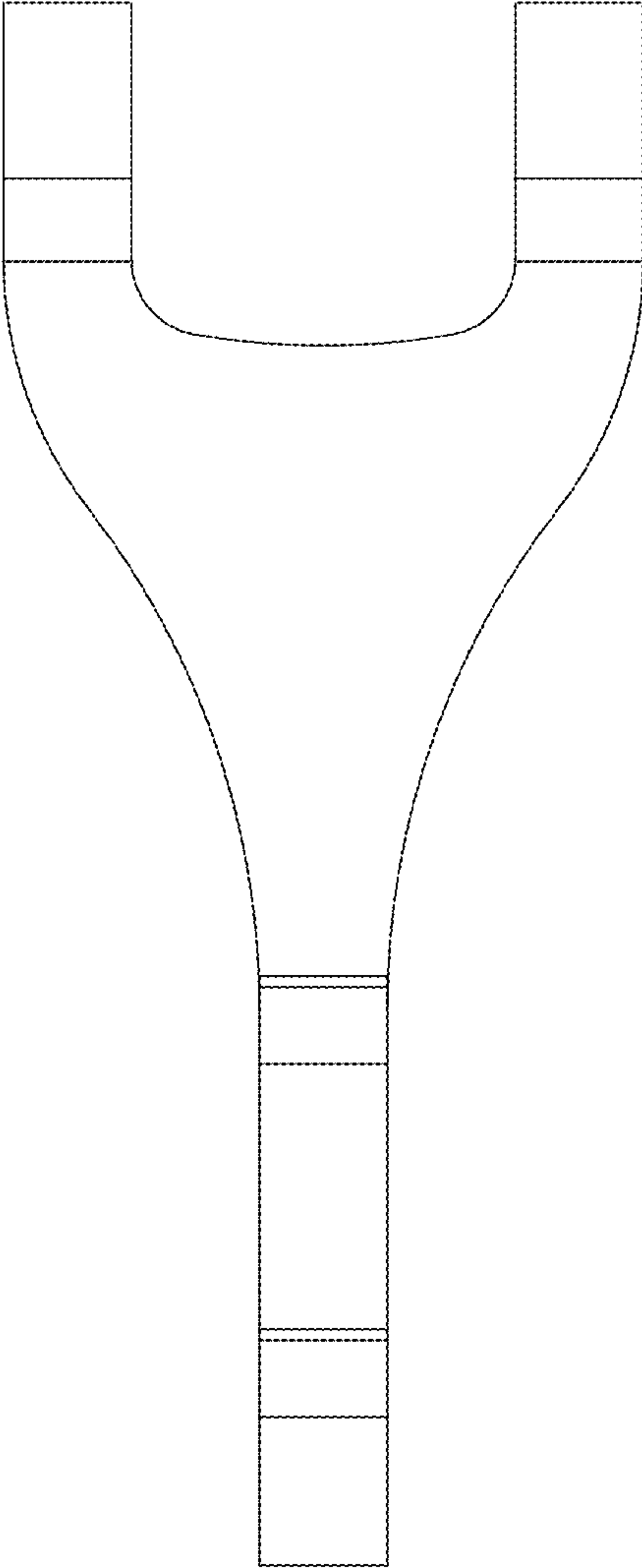


FIG. 5

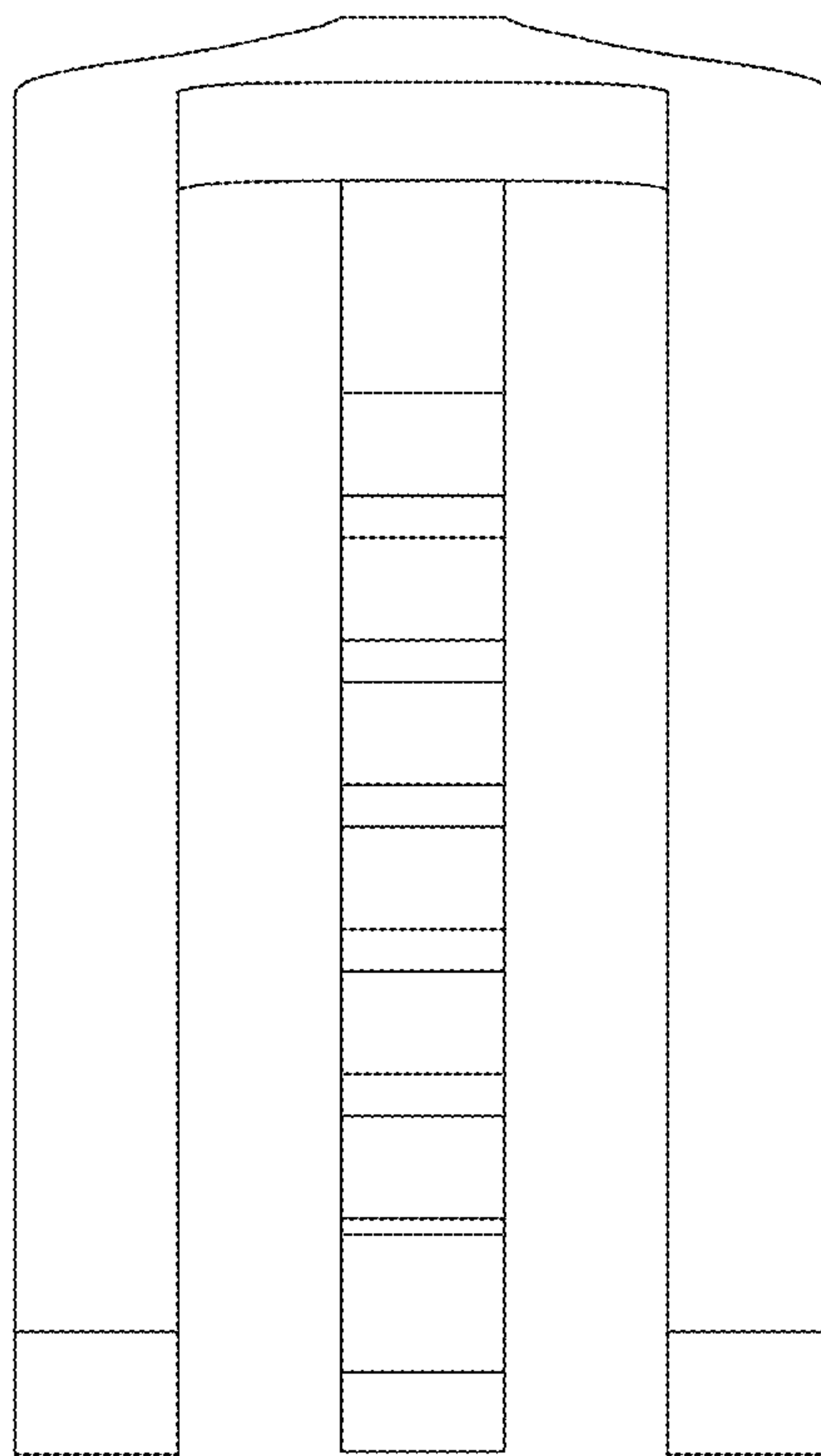


FIG. 6

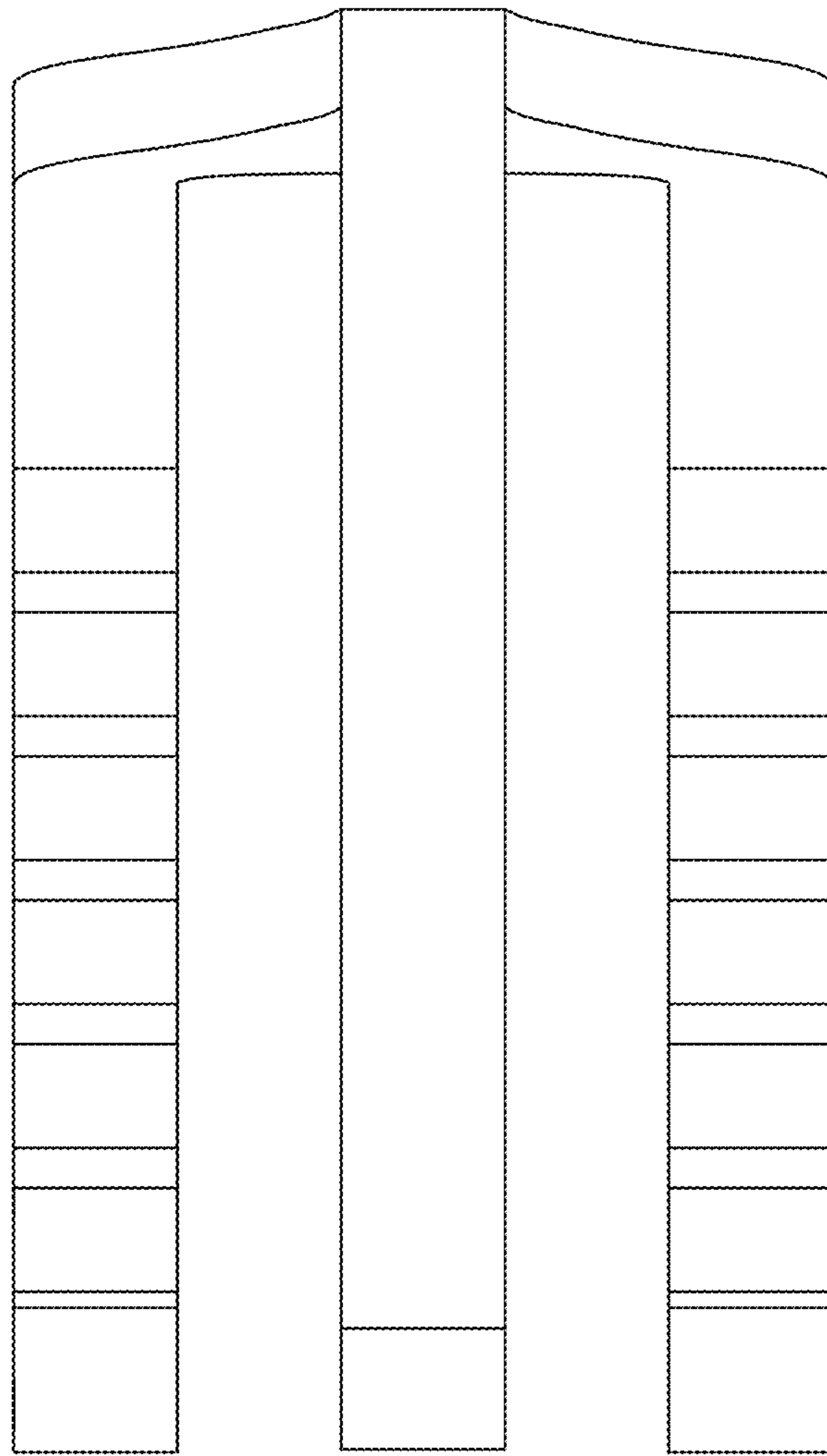


FIG. 7

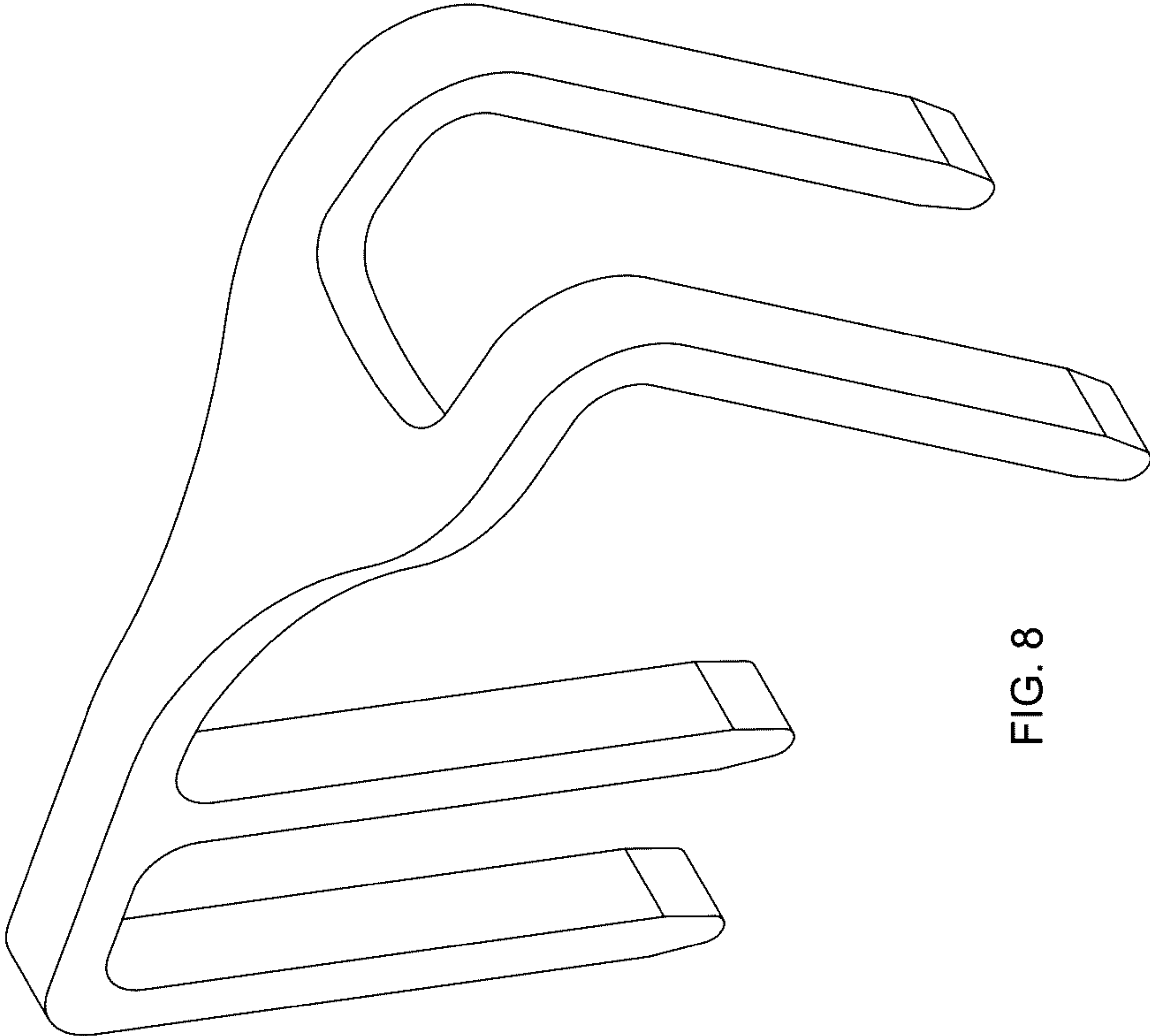


FIG. 8

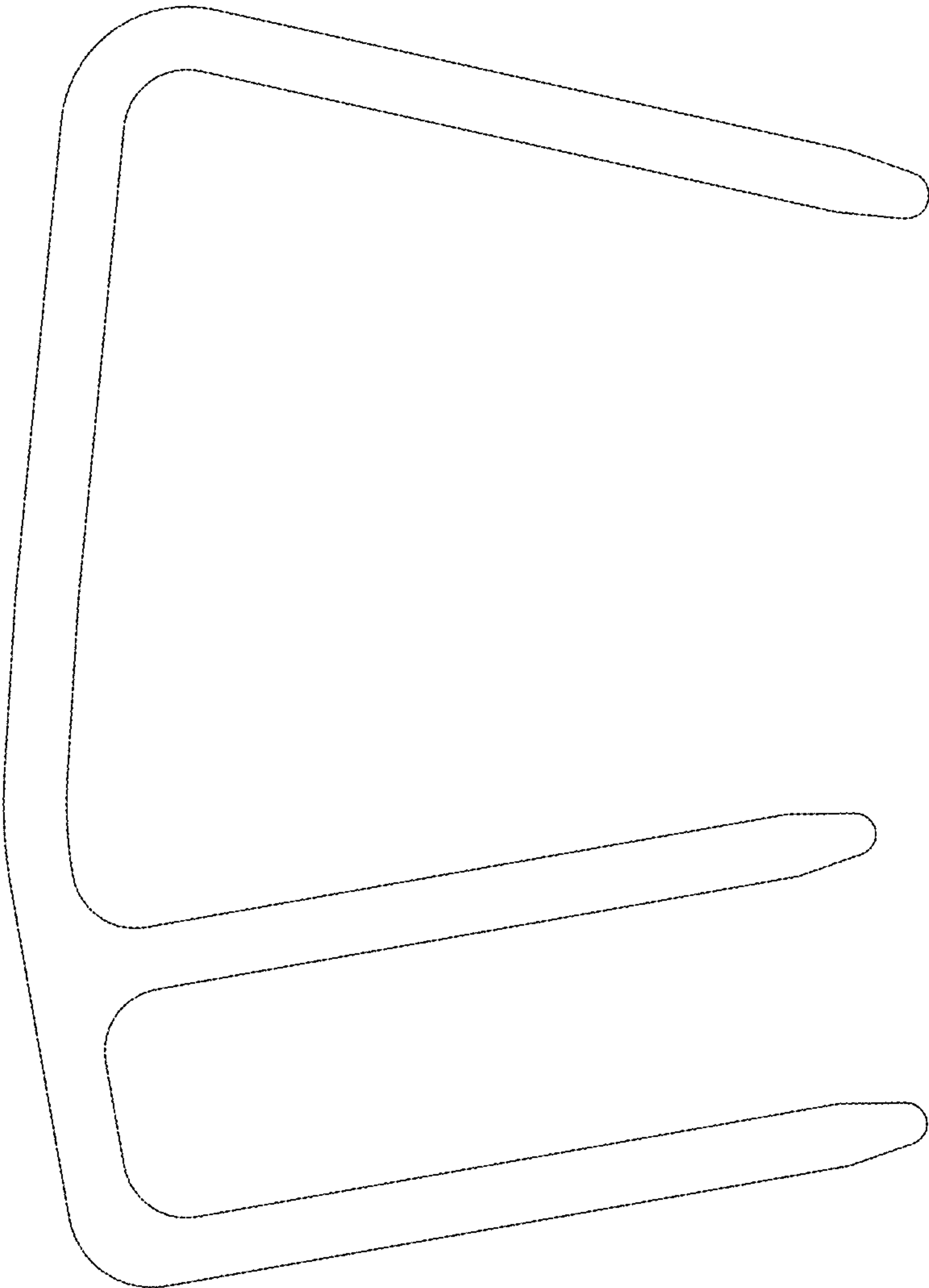


FIG. 9

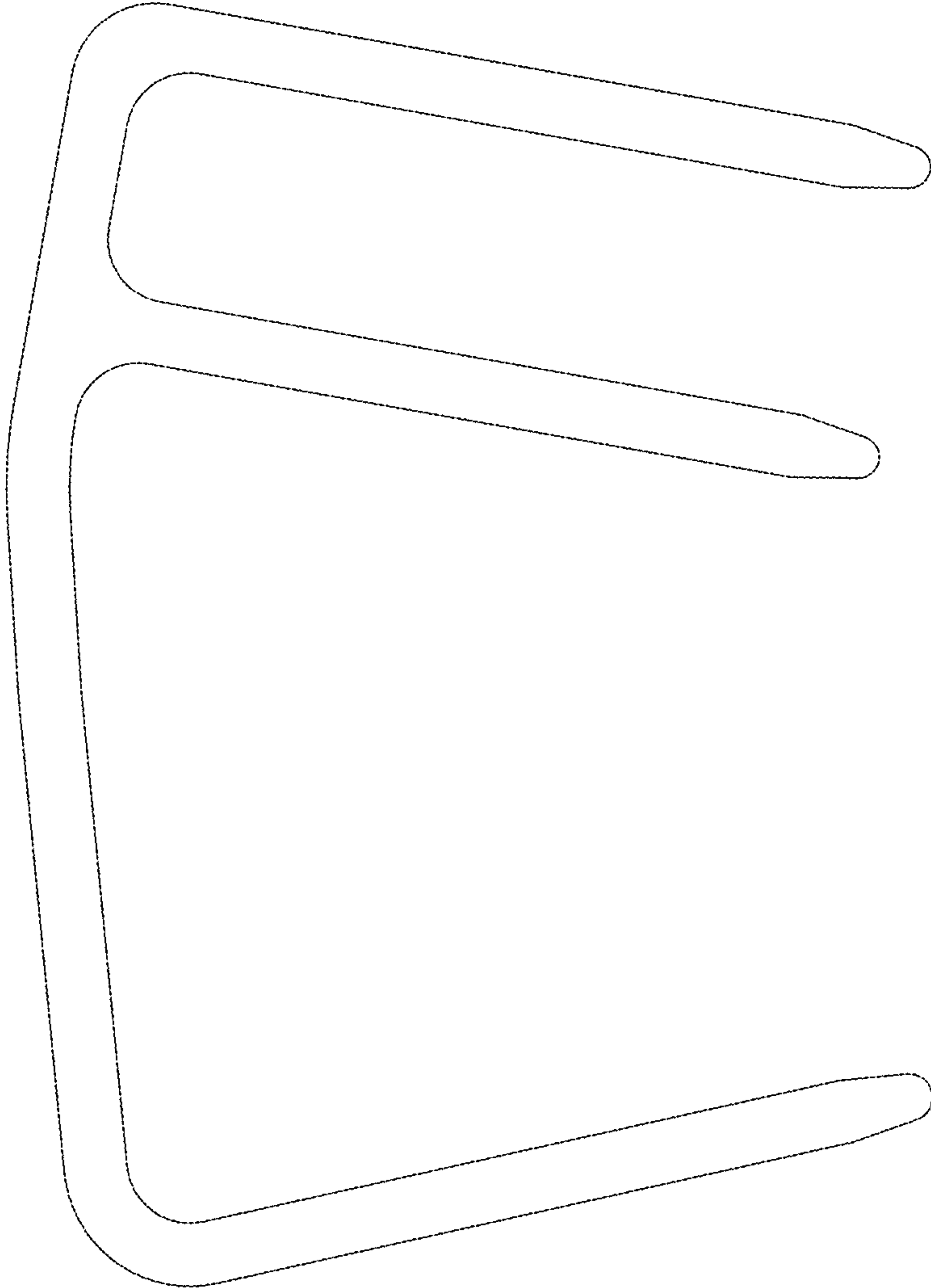


FIG. 10

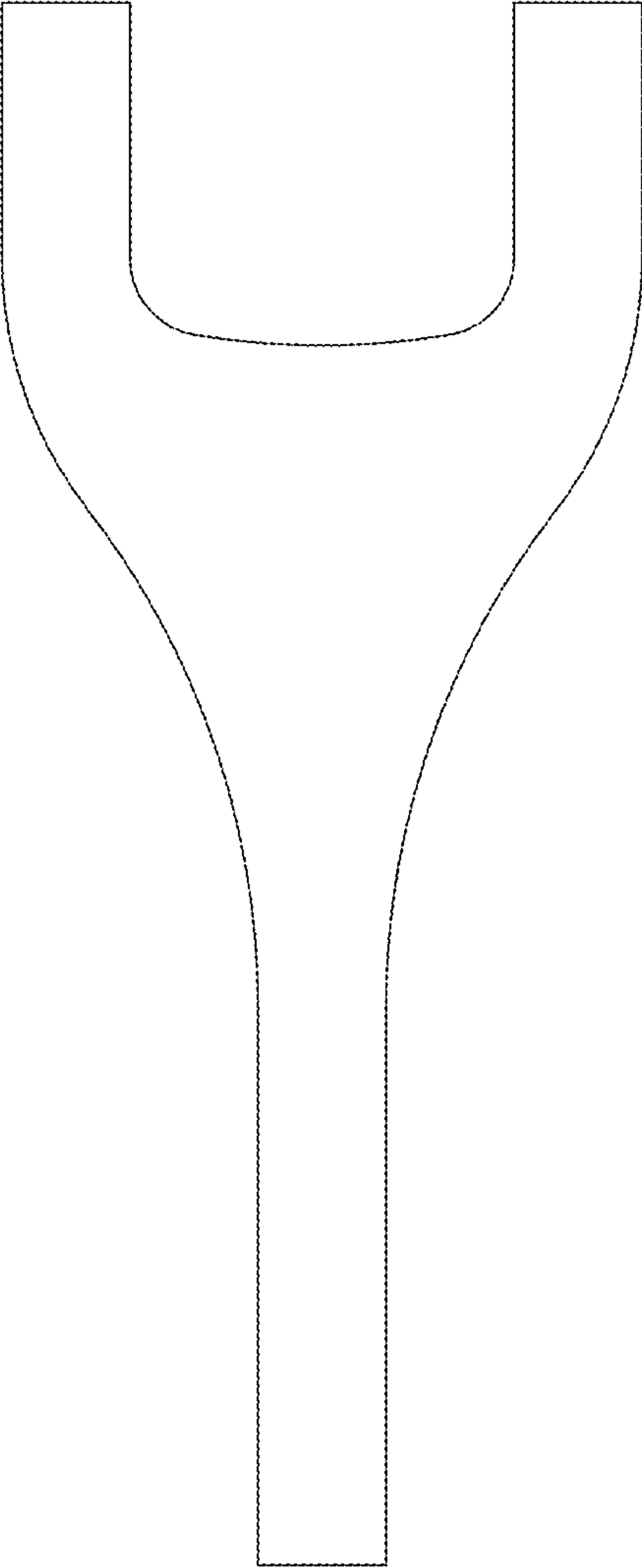


FIG. 11

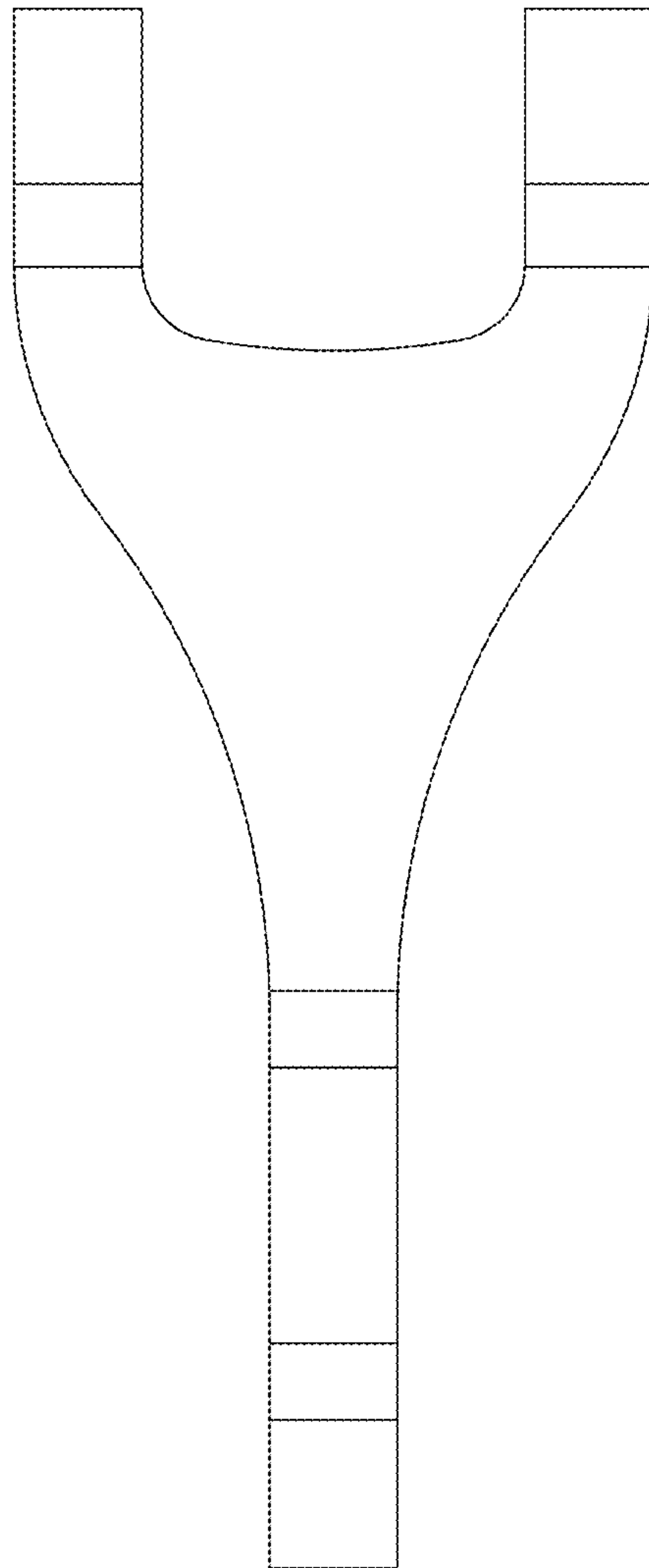


FIG. 12

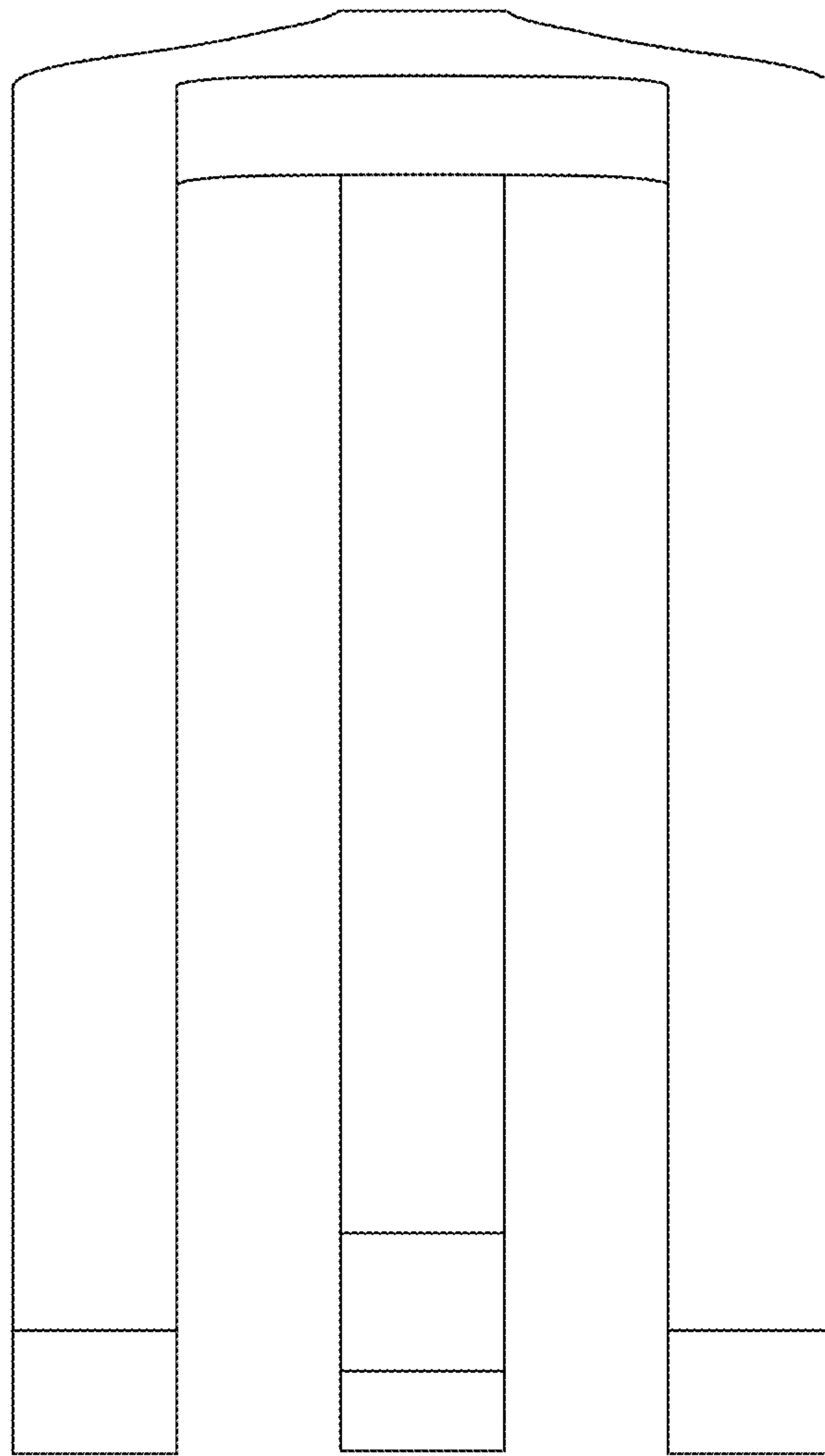


FIG. 13

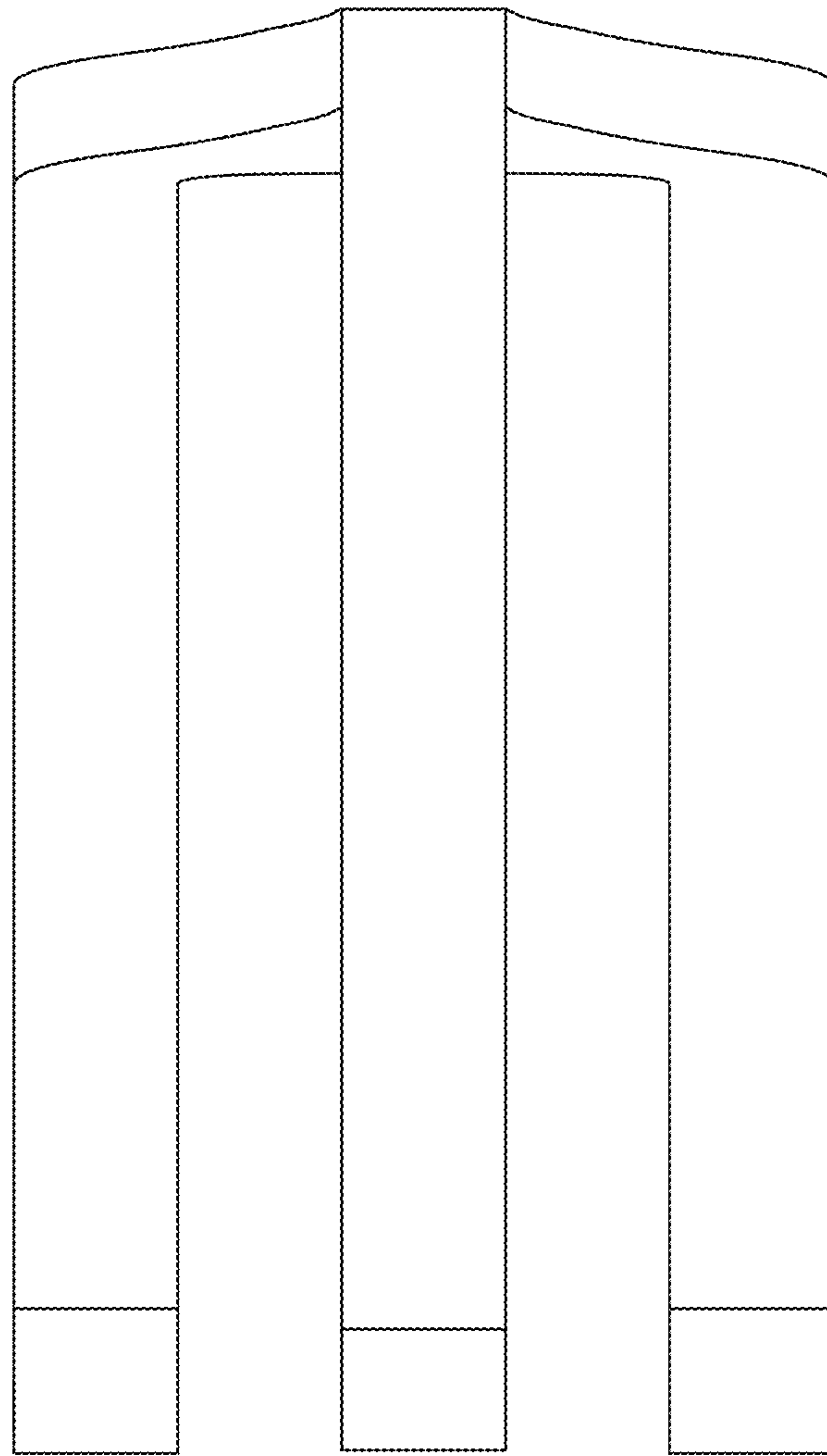


FIG. 14