



US00D773663S

(12) **United States Design Patent**
Miyagi et al.

(10) **Patent No.:** **US D773,663 S**
(45) **Date of Patent:** **** Dec. 6, 2016**

(54) **ENDOSCOPIC FORCEPS**
(71) Applicant: **JIMRO CO., Ltd.**, Takasaki-shi,
Gunma (JP)
(72) Inventors: **Kunihiko Miyagi**, Tokyo (JP); **Takashi Sawai**, Tokyo (JP)
(73) Assignee: **Jimro Co., Ltd.**, Takasaki-Shi, Gunma (JP)
(**) Term: **14 Years**

6,773,434 B2 * 8/2004 Ciarrocca A61B 18/1445
606/170
6,964,662 B2 * 11/2005 Kidooka A61B 18/1442
606/205
7,105,000 B2 * 9/2006 McBrayer A61B 17/1285
606/143
D545,432 S * 6/2007 Watanabe D24/143
7,736,363 B2 * 6/2010 Watanabe A61B 18/1445
606/205
8,870,902 B2 * 10/2014 Deodhar A61B 17/295
606/174
2010/0298852 A1 * 11/2010 Slater A61B 17/32001
606/205

(Continued)

(21) Appl. No.: **29/524,766**
(22) Filed: **Apr. 23, 2015**

Primary Examiner — Wan Laymon
(74) *Attorney, Agent, or Firm* — Thomas B. Ryan; Harter Secrest & Emery LLP

(30) **Foreign Application Priority Data**

Oct. 30, 2014 (JP) 2014 024284

(51) **LOC (10) Cl.** **24-02**

(52) **U.S. Cl.**
USPC **D24/143**

(58) **Field of Classification Search**
USPC D24/143, 146-147, 133, 138; 606/167,
606/17, 51-52
CPC A61B 10/04; A61B 10/06; A61B 17/28;
A61B 17/2808; A61B 17/2812; A61B
17/2816; A61B 17/282; A61B
17/29; A61B 17/1285; A61B
18/1442; A61B 18/1445
See application file for complete search history.

(56) **References Cited**

U.S. PATENT DOCUMENTS

5,849,022 A * 12/1998 Sakashita A61B 17/29
606/174
6,436,117 B1 * 8/2002 Waller A61B 17/32001
606/205
6,743,240 B2 * 6/2004 Smith A61B 17/1285
600/104

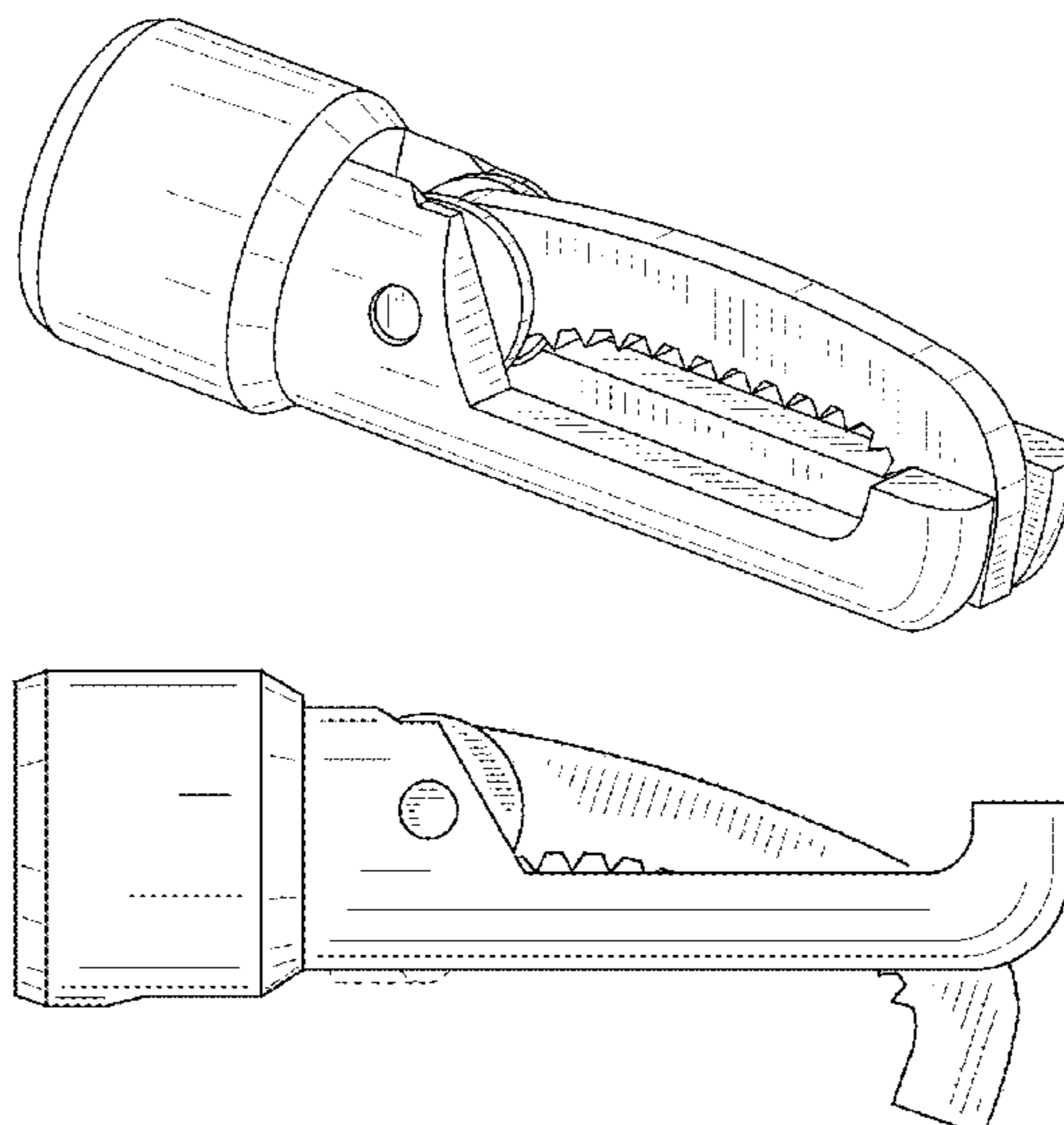
(57) **CLAIM**

The design for an endoscopic forceps, as shown and described.

DESCRIPTION

FIG. 1 is a is a front elevational view of an endoscopic forceps showing our new design.
FIG. 2 is a rear elevational view thereof.
FIG. 3 is a top plan view thereof.
FIG. 4 is a bottom plan view thereof.
FIG. 5 is a left side elevational view thereof.
FIG. 6 is a right side elevational view of the first embodiment thereof.
FIG. 7 is a top, front, and right side perspective view thereof.
FIG. 8 is a front elevational view of the endoscopic forceps of FIG. 1 in an opened position; and,
FIG. 9 is a is a front elevational view of the endoscopic forceps of FIG. 1 in a closed position.
The portions of the endoscopic forceps shown in broken lines form no part of the claimed design.

1 Claim, 4 Drawing Sheets



(56)

References Cited

U.S. PATENT DOCUMENTS

2012/0310222 A1 * 12/2012 Naito A61B 17/29
606/1

* cited by examiner

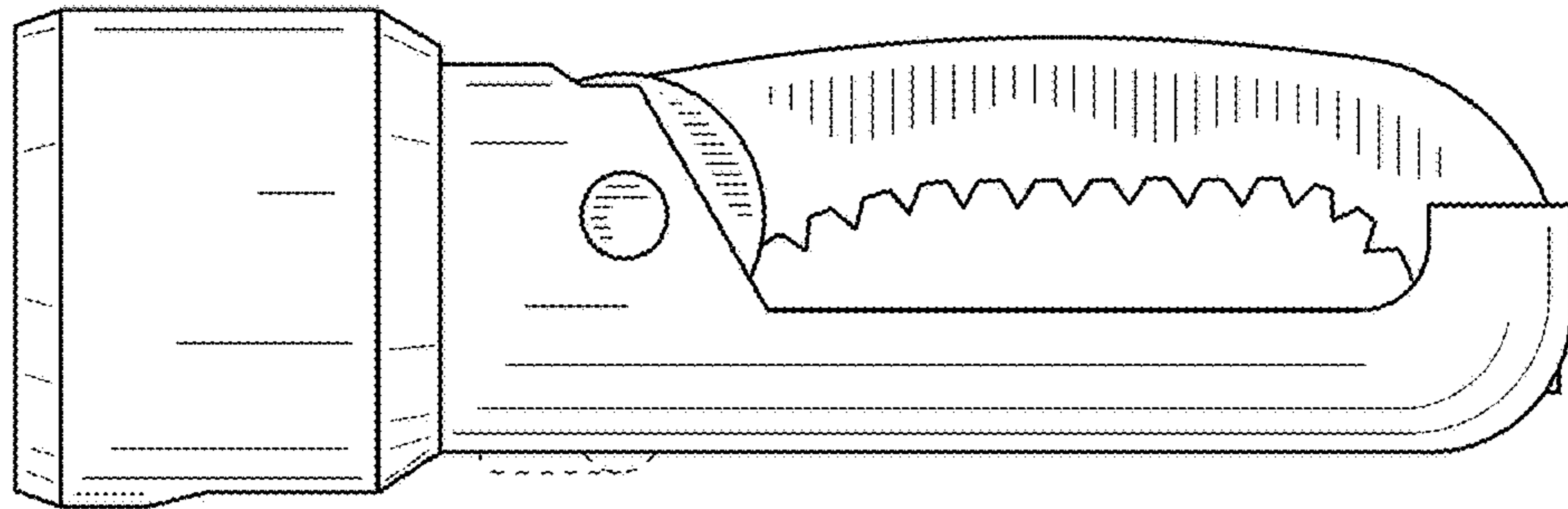


FIG. 1

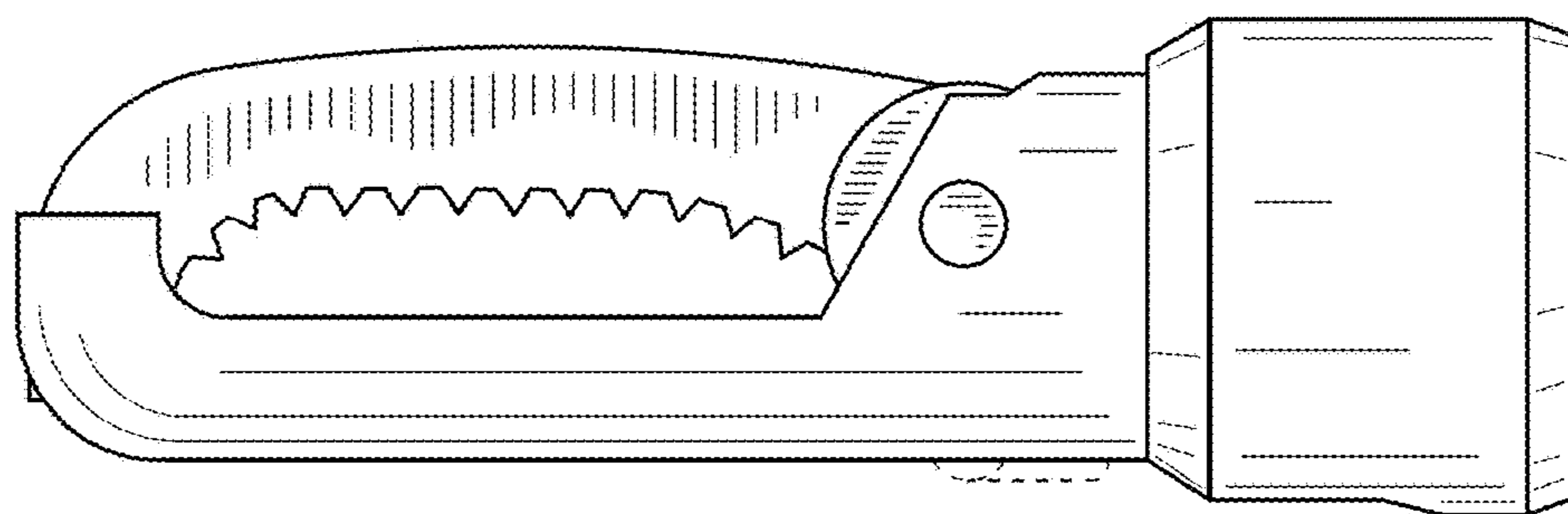


FIG. 2

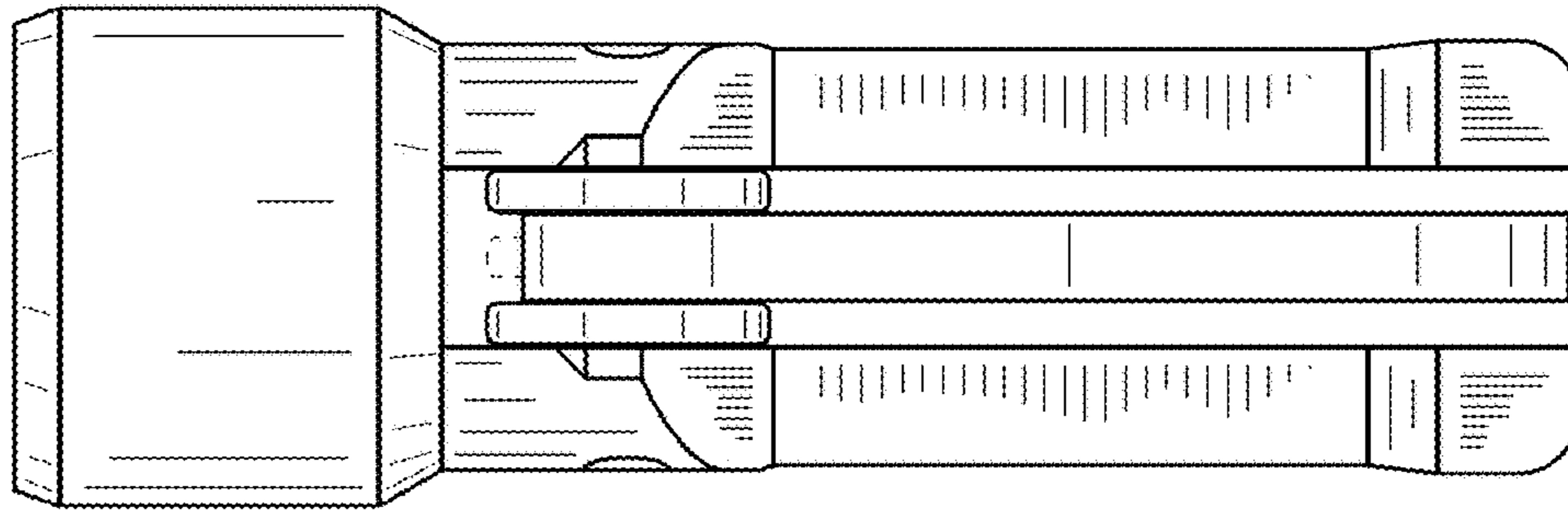


FIG. 3

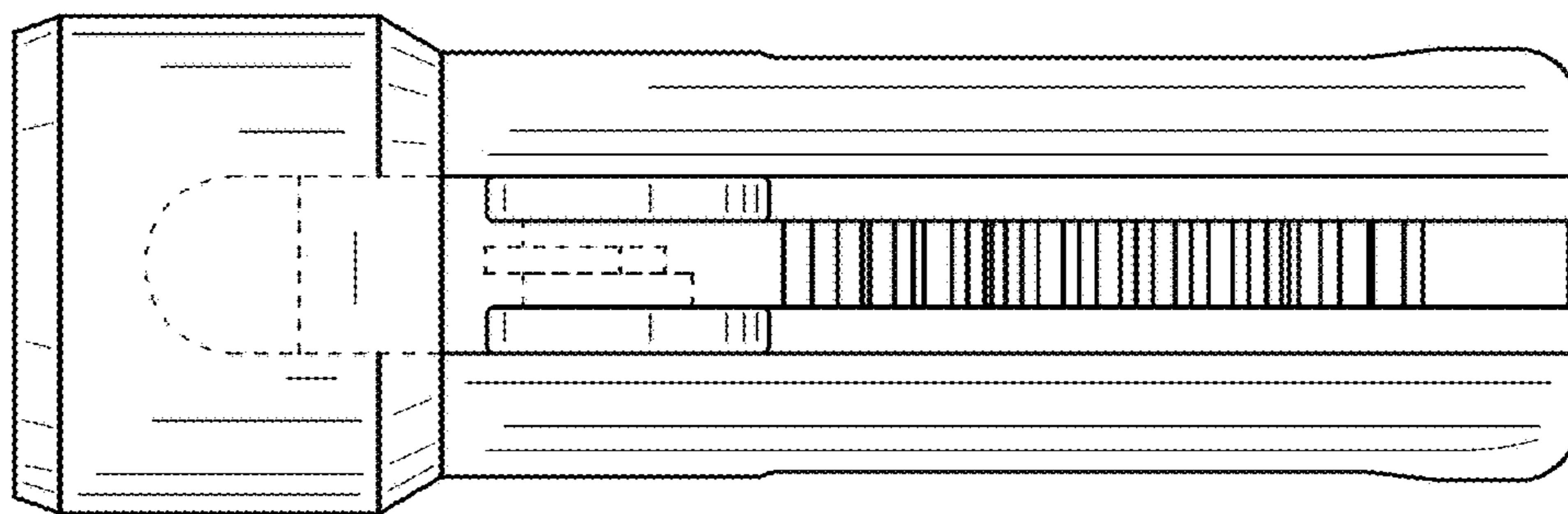


FIG. 4

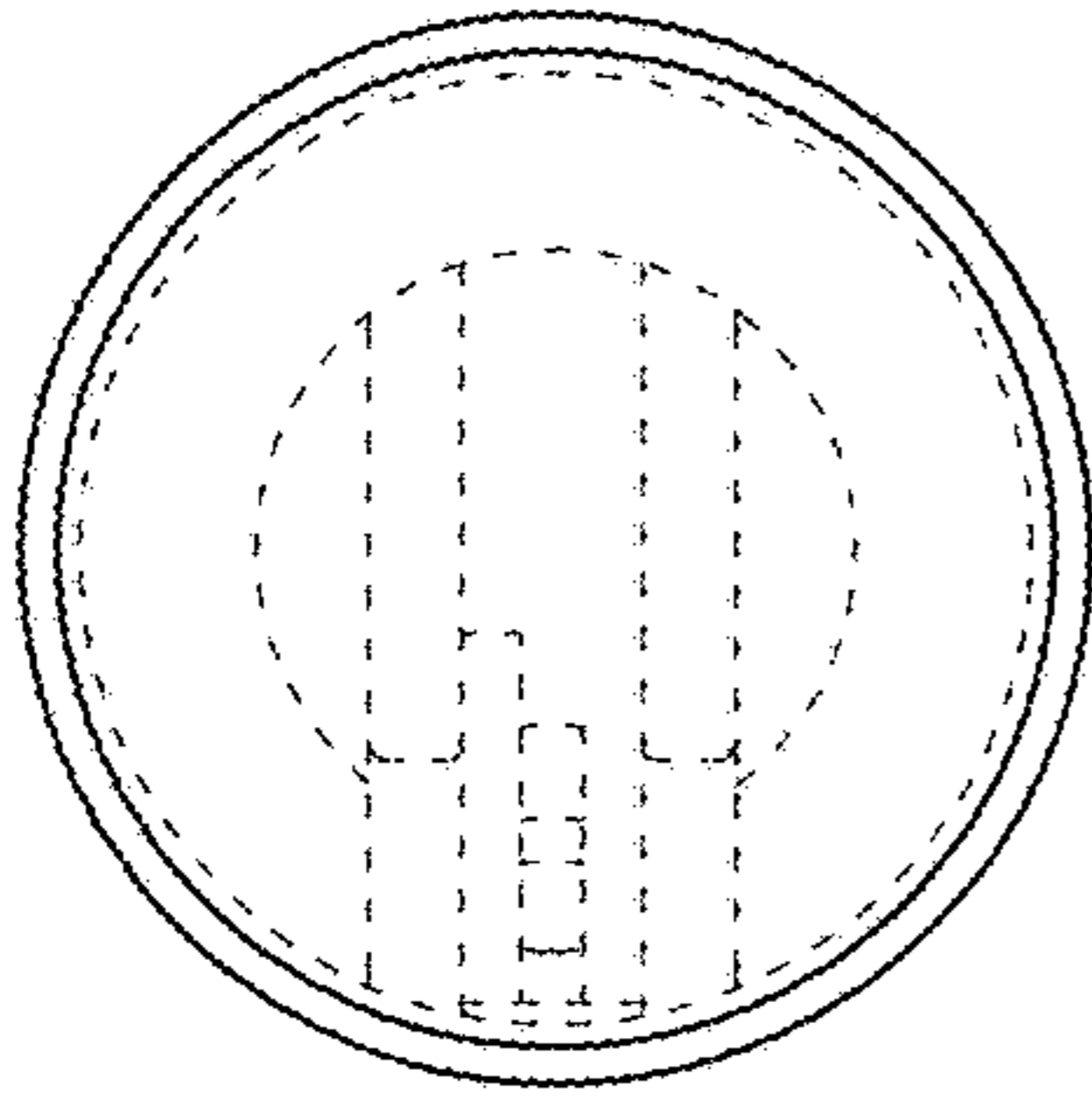


FIG. 5

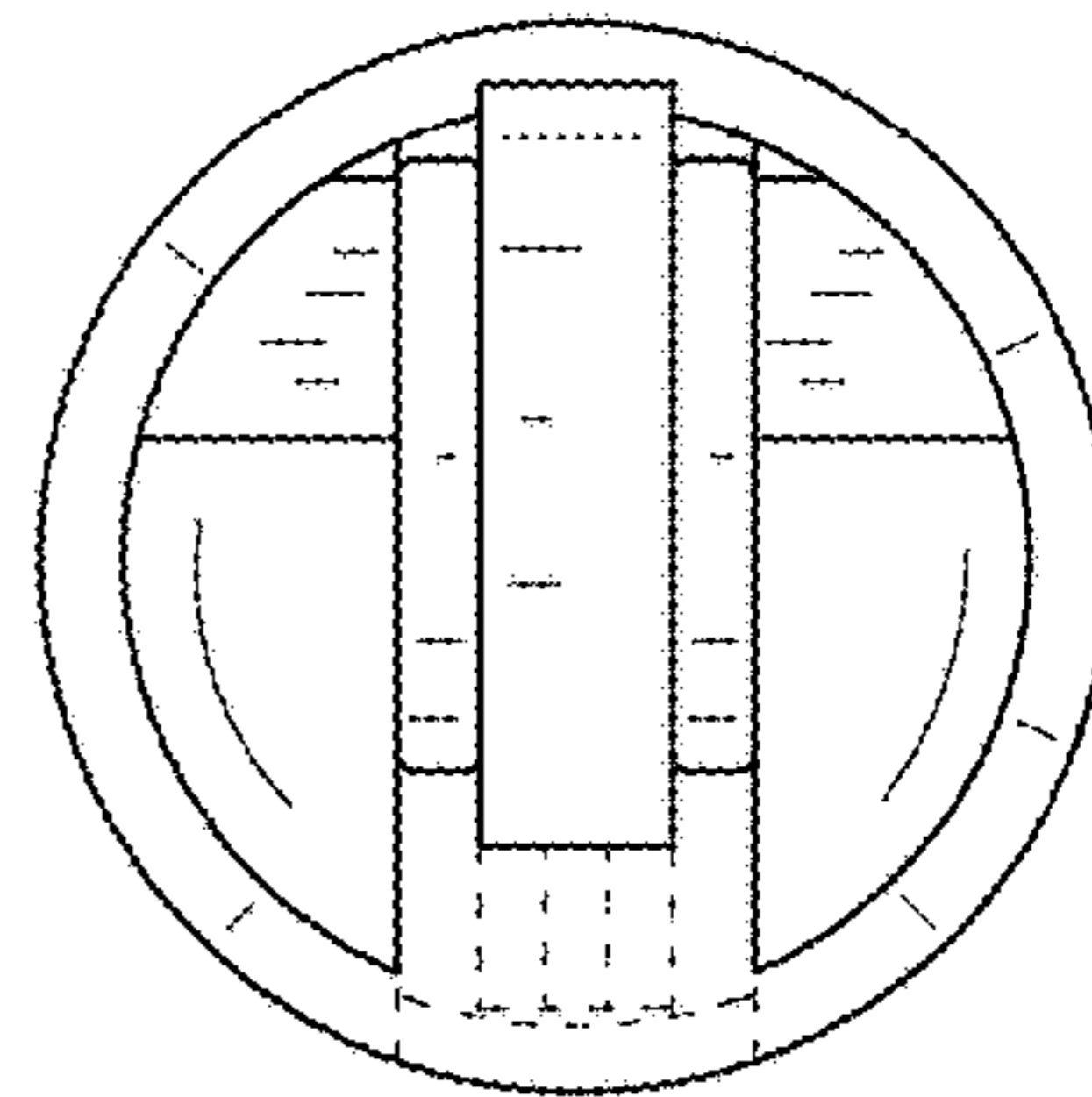


FIG. 6

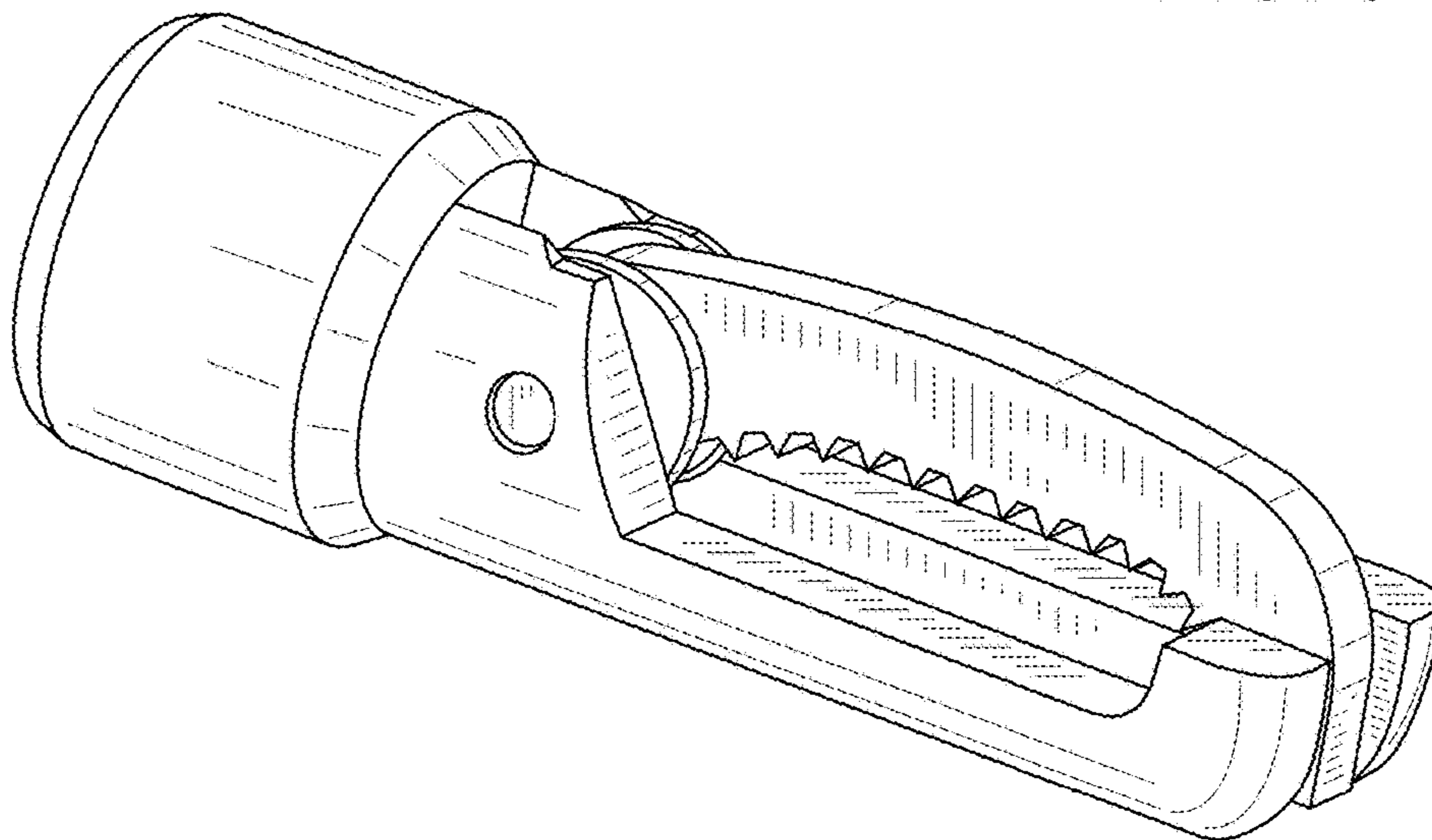


FIG. 7

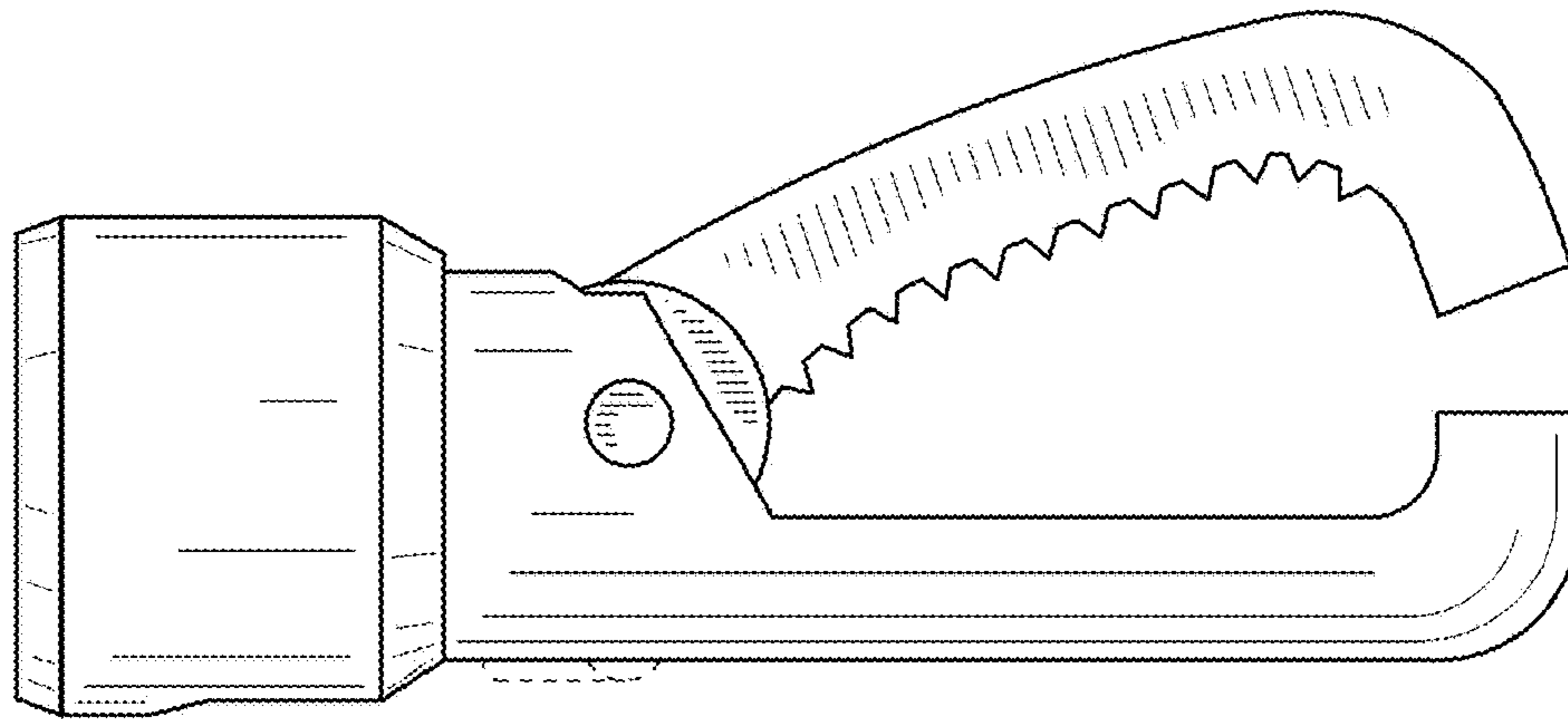


FIG. 8

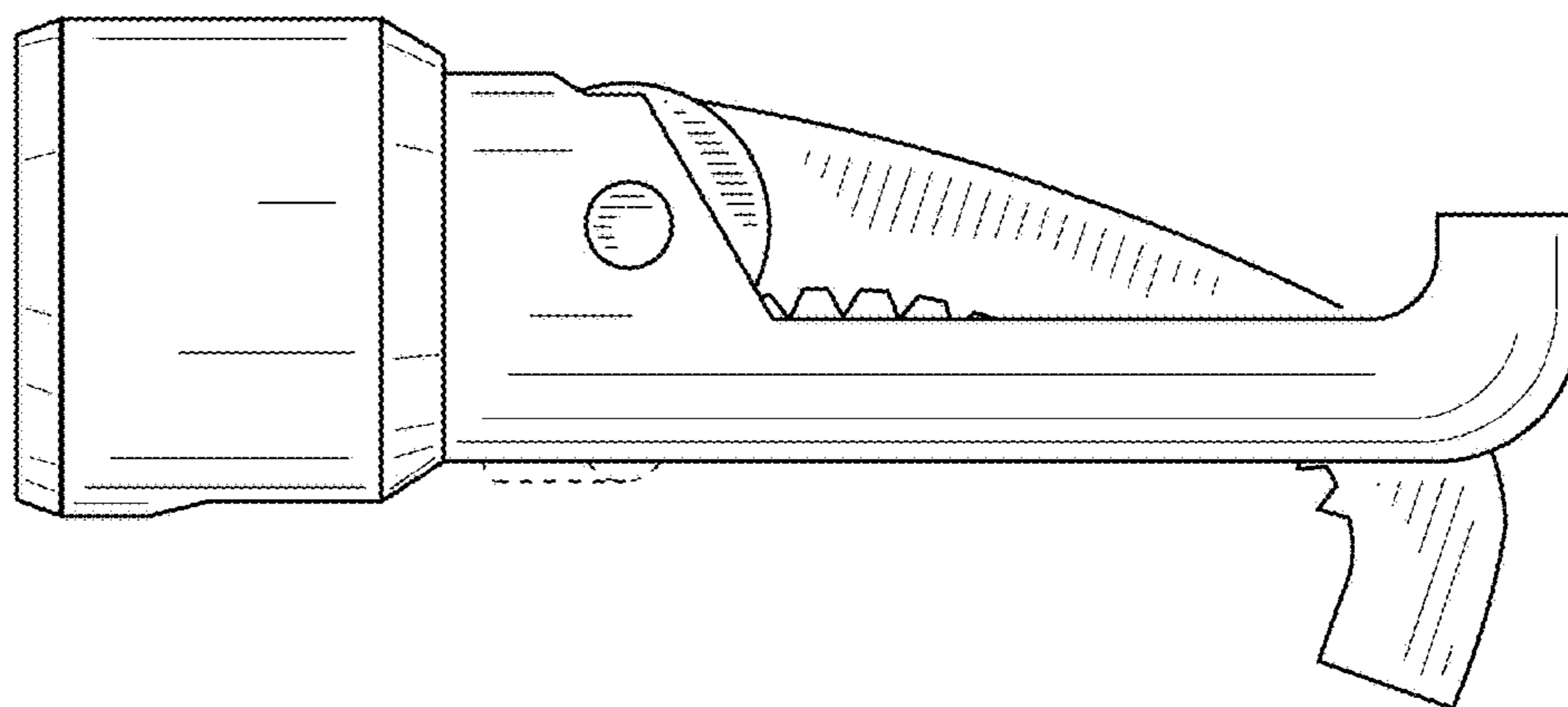


FIG. 9