



US00D773661S

(12) **United States Design Patent** (10) **Patent No.:** **US D773,661 S**  
**Funakoshi** (45) **Date of Patent:** **\*\* Dec. 6, 2016**

(54) **BODY OF A CAMERA FOR MEDICAL USE**

(71) Applicant: **OLYMPUS CORPORATION**, Tokyo (JP)

(72) Inventor: **Yasuo Funakoshi**, Tokyo (JP)

(73) Assignee: **OLYMPUS CORPORATION**, Tokyo (JP)

(\*\*) Term: **15 Years**

(21) Appl. No.: **29/531,105**

(22) Filed: **Jun. 23, 2015**

(30) **Foreign Application Priority Data**

Dec. 25, 2014 (JP) ..... 2014-028974  
Dec. 25, 2014 (JP) ..... 2014-028977

(51) **LOC (10) Cl.** ..... **24-02**

(52) **U.S. Cl.**  
USPC ..... **D24/138**

(58) **Field of Classification Search**  
USPC ..... D24/133, 137, 138, 222, 141, 108, 111, D24/113, 127, 143, 148, 179, 216, 152, 153, D24/154, 176; D8/4, 29.1, 29.2, 30, 31, 39  
CPC ..... A61B 1/00128; A61B 1/018; A61B 17/320016; A61B 17/3423; A61B 1/00135; A61B 1/12; A61B 2017/00477; A61B 2017/347; A61B 17/00234; A61B 17/00491; A61B 1/00066; A61B 1/00133; A61B 1/00147  
See application file for complete search history.

(56) **References Cited**

**U.S. PATENT DOCUMENTS**

D474,276 S \* 5/2003 Greise ..... D16/202  
D523,455 S \* 6/2006 Greise ..... D16/202  
D598,545 S \* 8/2009 Haines, III ..... D24/137

D607,032 S \* 12/2009 Halleck ..... D16/202  
D639,428 S \* 6/2011 Yasue ..... D24/137  
D643,534 S \* 8/2011 Halleck ..... D16/202  
D651,312 S \* 12/2011 Halleck ..... D16/202  
D663,344 S \* 7/2012 Yasue ..... D16/219  
D670,383 S \* 11/2012 Eisenkolb ..... D24/137  
D672,462 S \* 12/2012 Campo ..... D24/138  
D716,942 S \* 11/2014 Eisenkolb ..... D24/138  
D717,432 S \* 11/2014 Leroy ..... D24/138

\* cited by examiner

*Primary Examiner* — Robert M Spear

*Assistant Examiner* — Eliza Bennett-Hattan

(74) *Attorney, Agent, or Firm* — Scully, Scott, Murphy & Presser, P.C.

(57) **CLAIM**

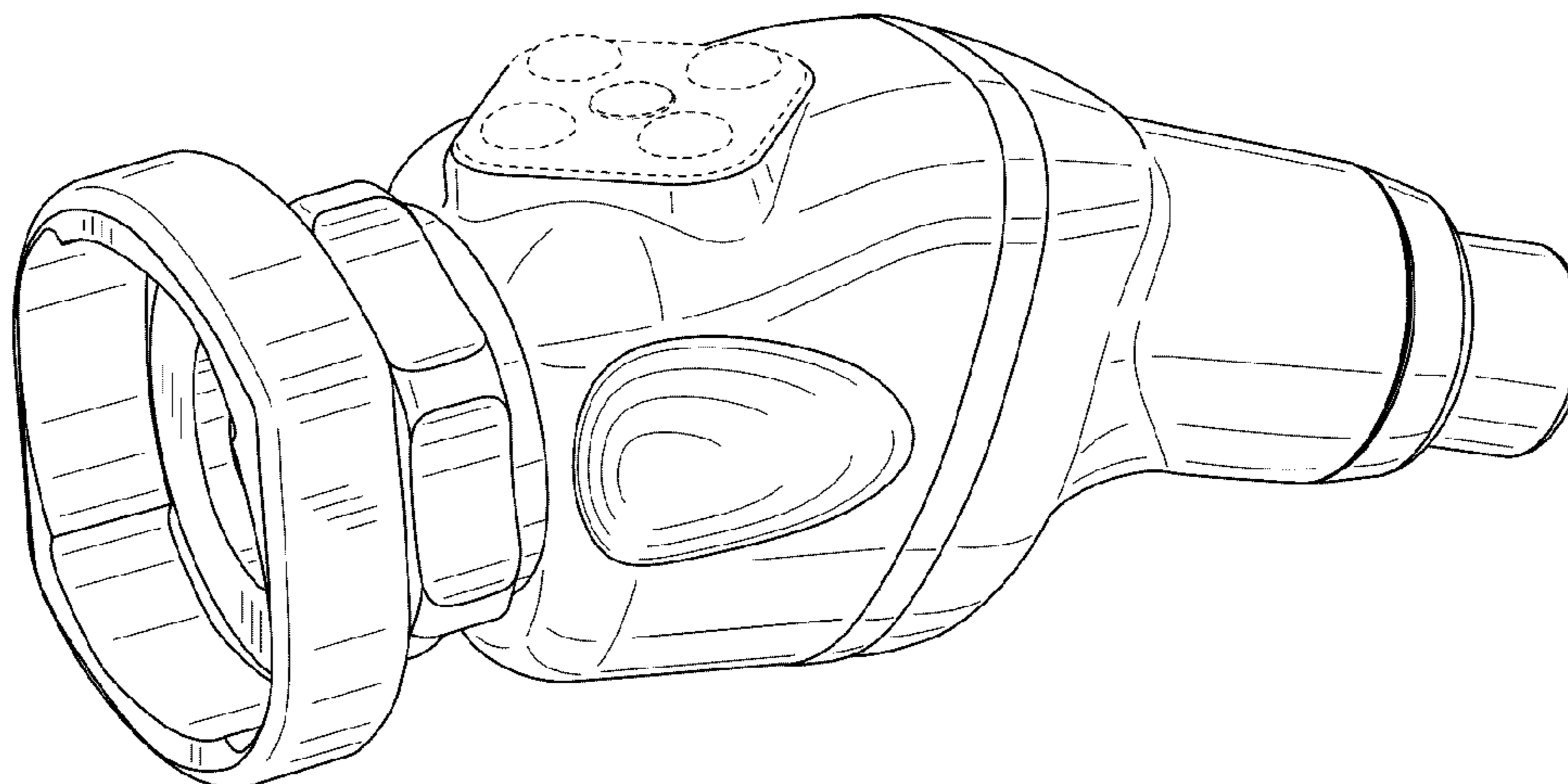
The ornamental design for a body of a camera for medical use, as shown and described.

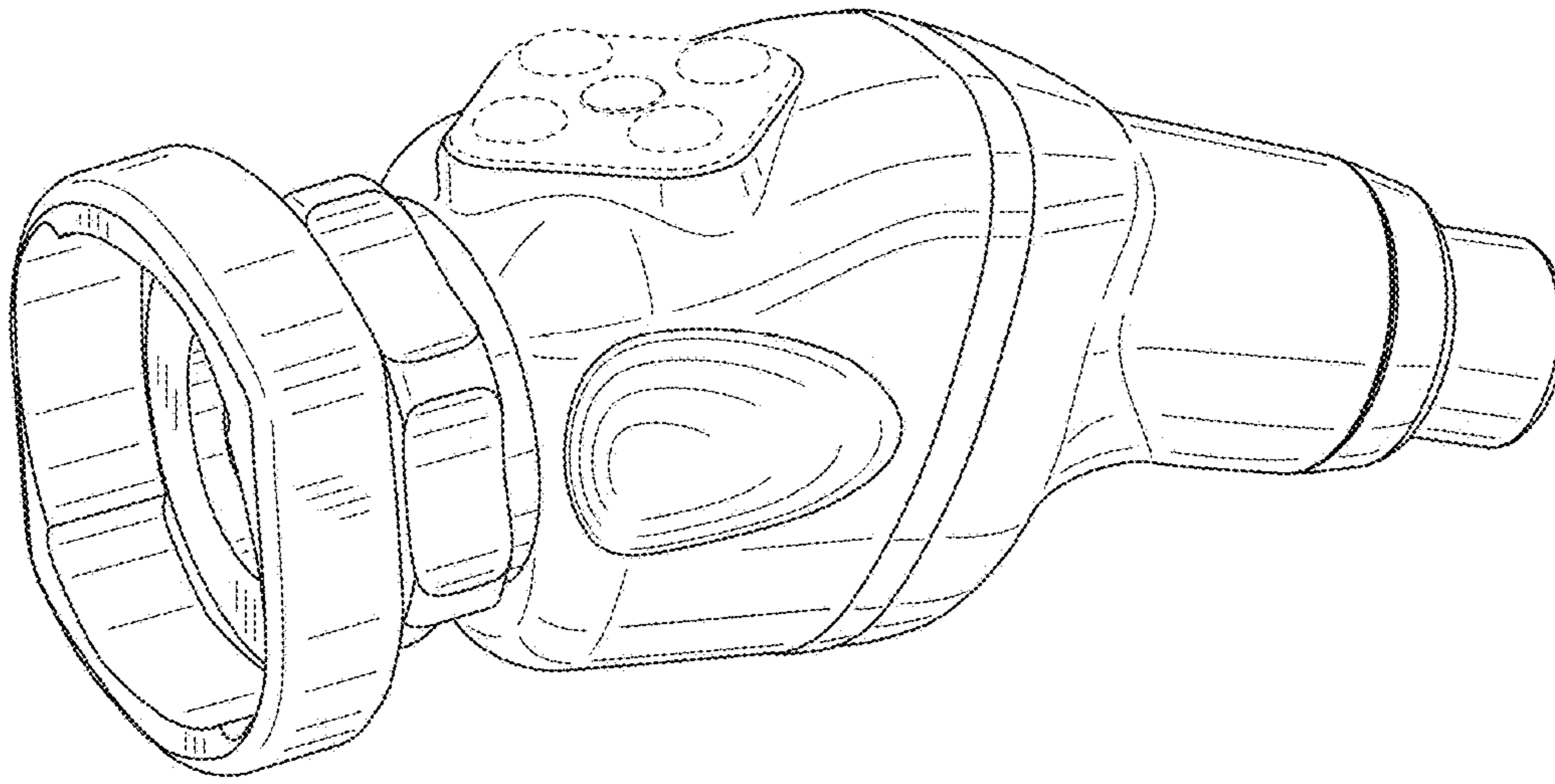
**DESCRIPTION**

FIG. 1 is a perspective view of a body of a camera for medical use, showing my new design;  
FIG. 2 is a front view thereof;  
FIG. 3 is a rear view thereof;  
FIG. 4 is a top view thereof;  
FIG. 5 is a bottom view thereof;  
FIG. 6 is a left side view thereof;  
FIG. 7 is a right side view thereof;  
FIG. 8 is an enlarged end view thereof, taken along line 8-8 in FIG. 4 with its internal mechanisms omitted;  
FIG. 9 is an enlarged view of a portion 9 of FIG. 2; and,  
FIG. 10 is an end view taken along lines 10-10 of FIG. 9 with its internal mechanisms omitted, to better illustrate the contour thereof.

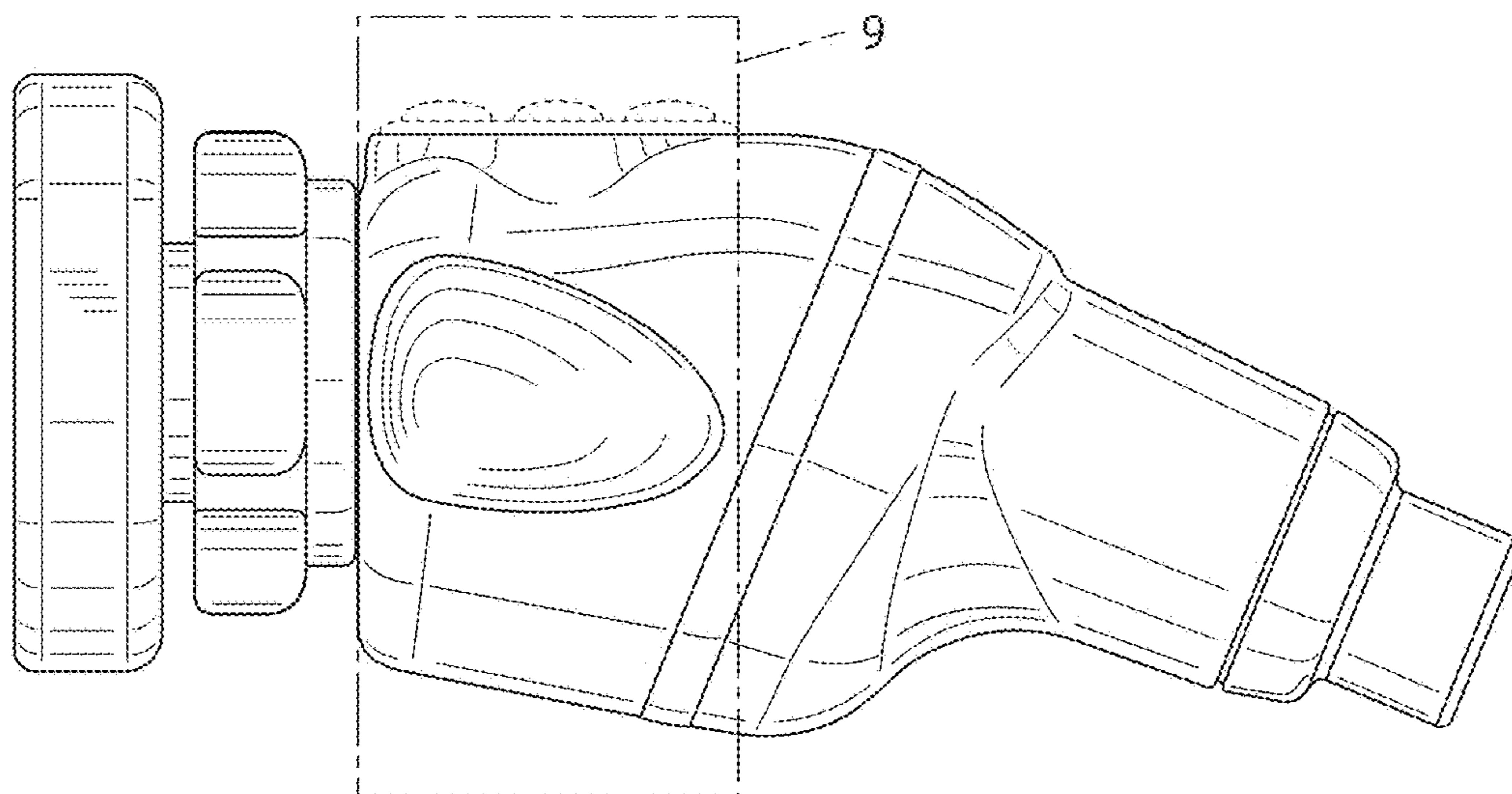
The evenly segmented broken lines indicate portions of the article that from no part of the claimed design. The dash dot dash broken lines indicate cutoff boundaries for enlarged detailed portion views.

**1 Claim, 4 Drawing Sheets**

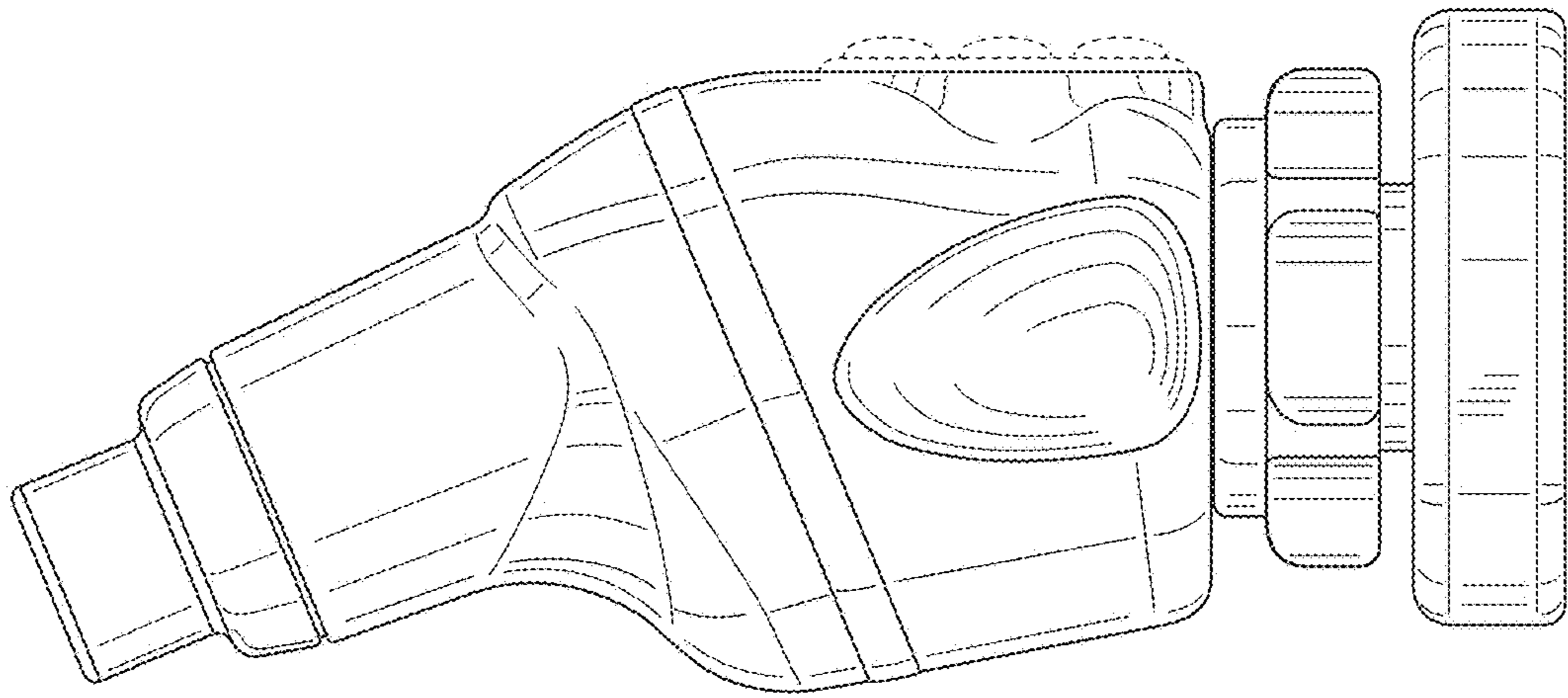




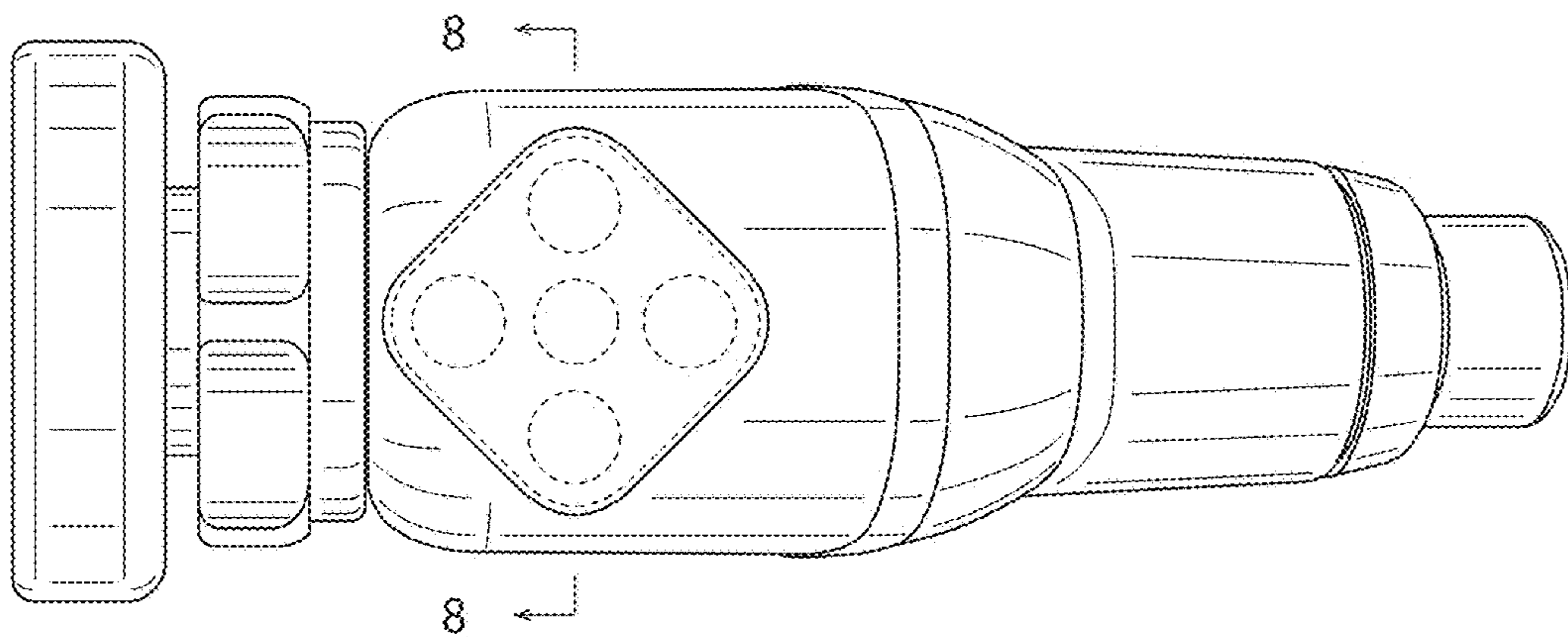
*Fig. 1*



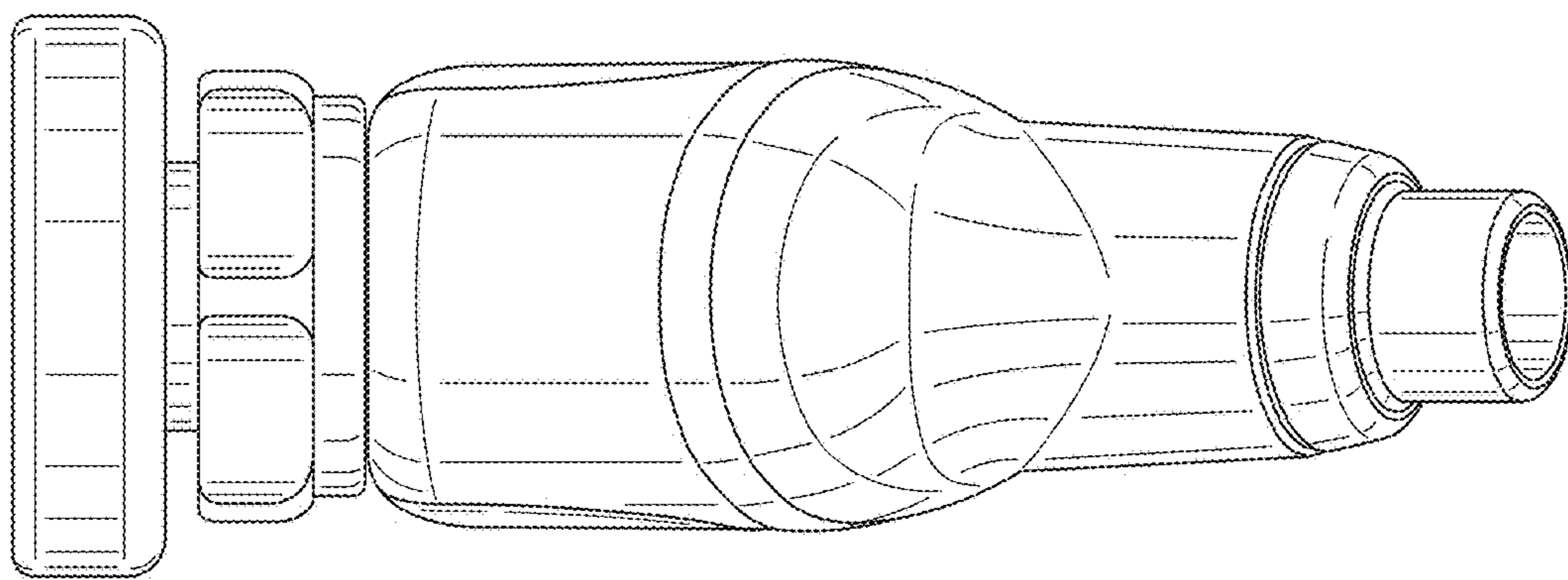
*Fig. 2*



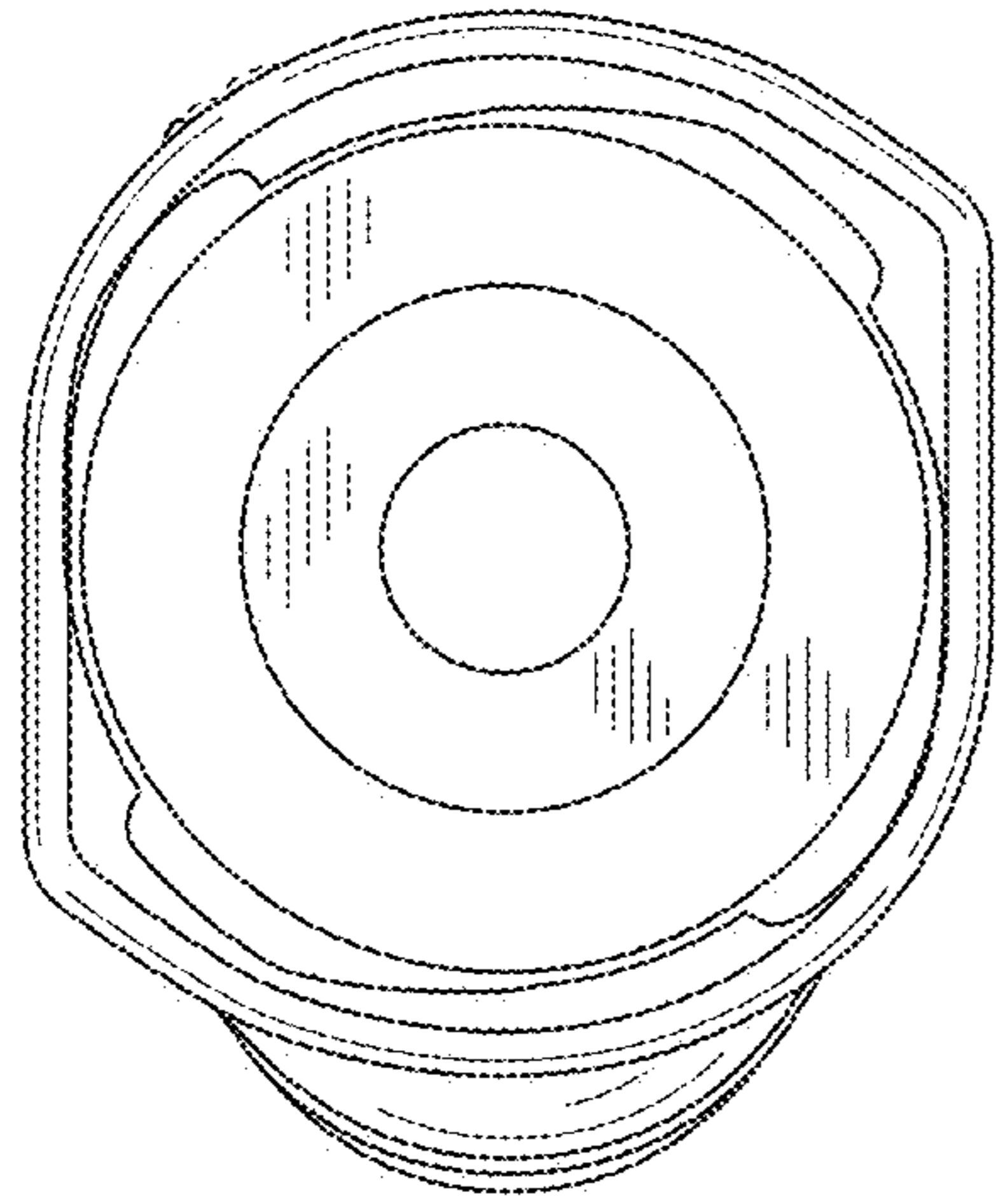
*Fig. 3*



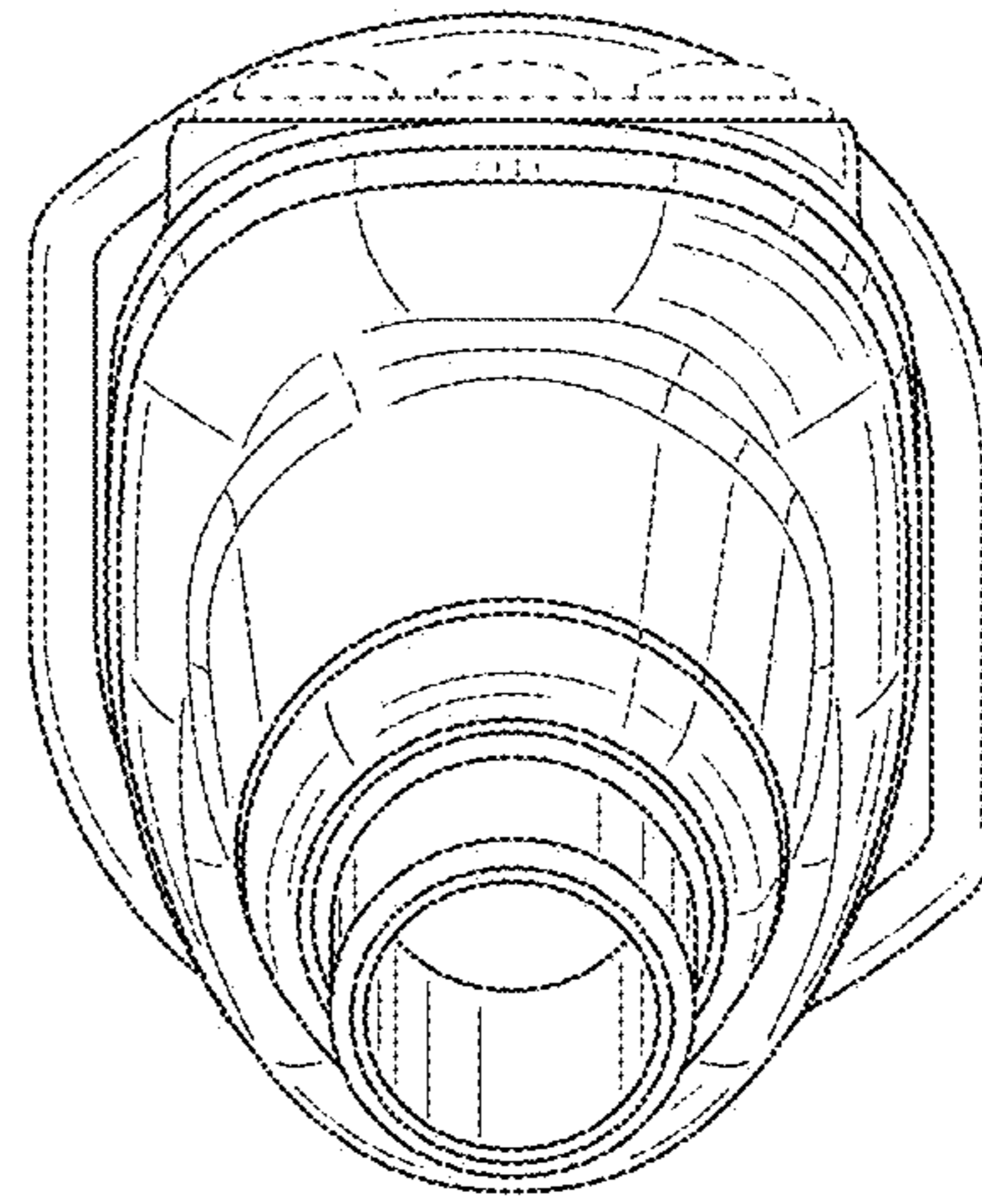
*Fig. 4*



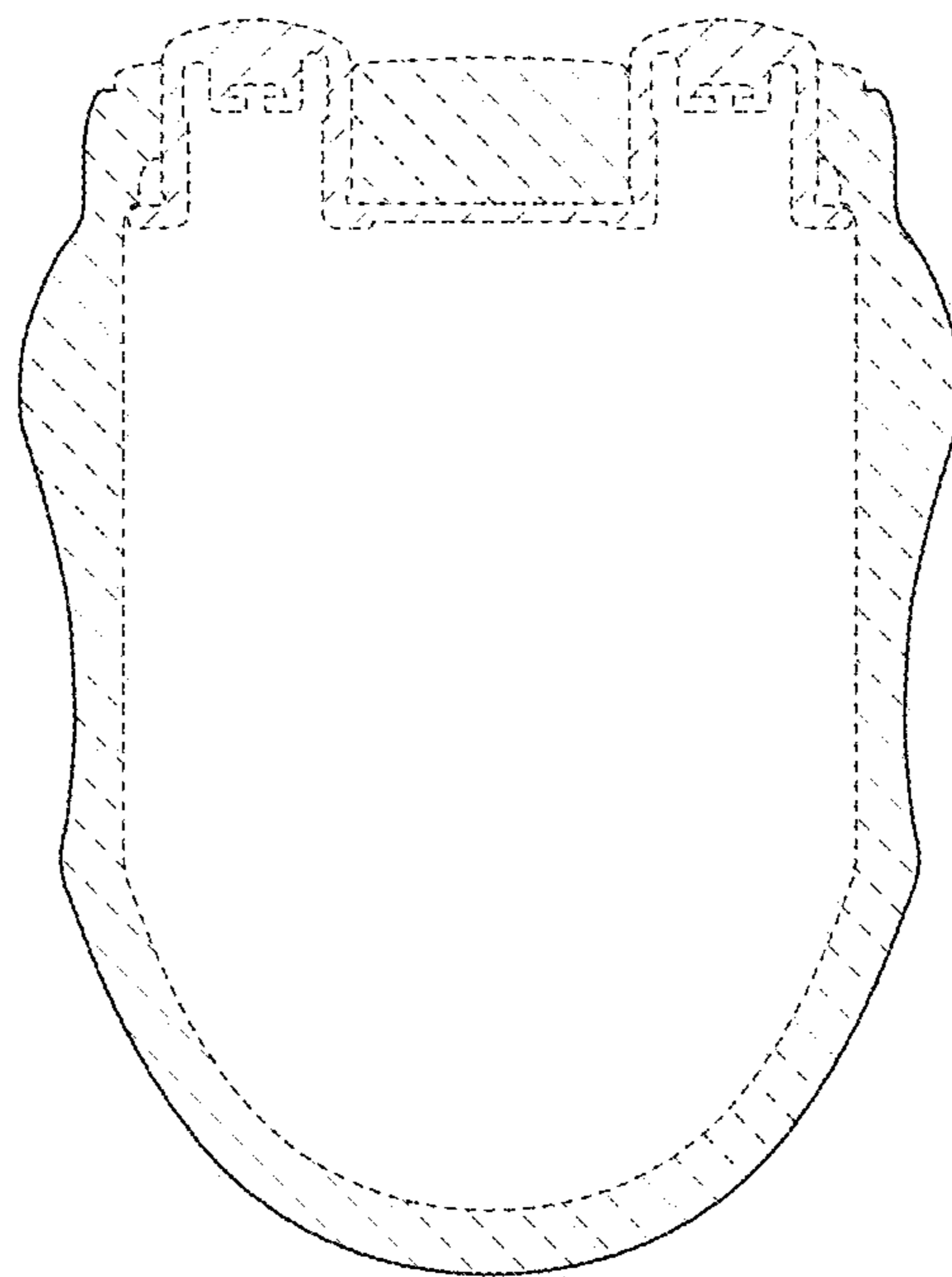
*Fig. 5*



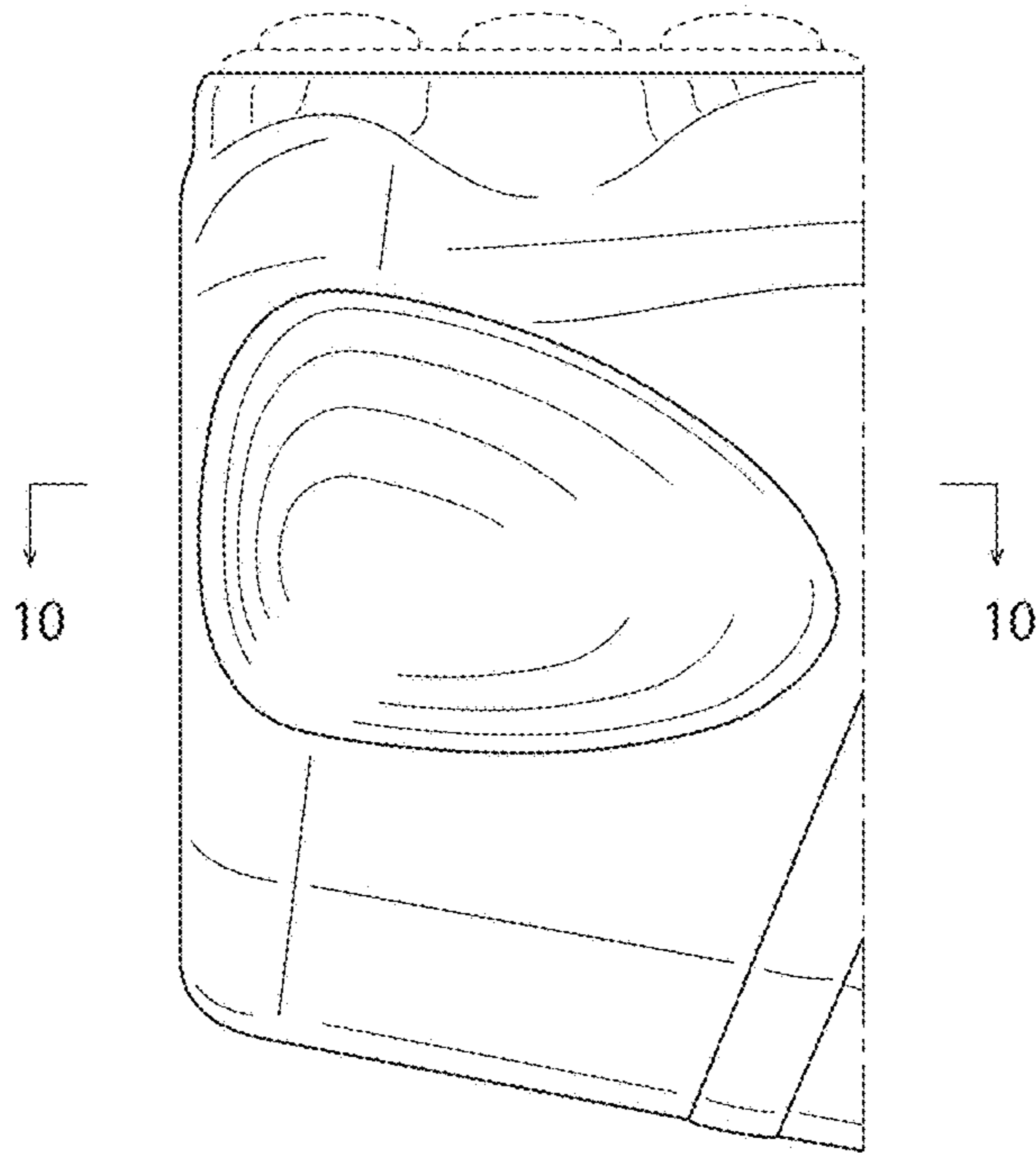
*Fig. 6*



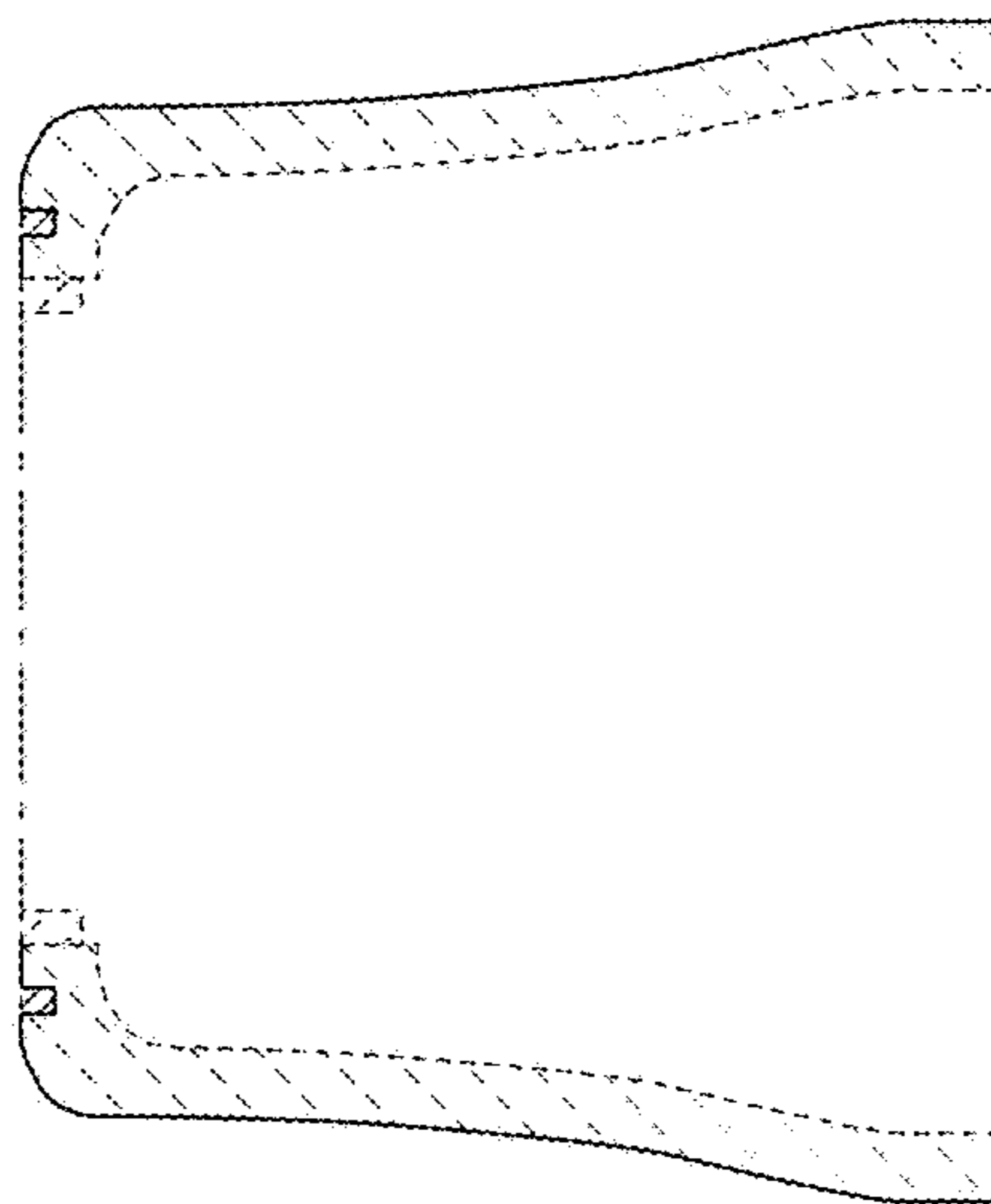
*Fig. 7*



*Fig. 8*



*Fig. 9*



*Fig. 10*