



US00D773655S

(12) **United States Design Patent**
Hofstetter

(10) **Patent No.:** **US D773,655 S**

(45) **Date of Patent:** **** Dec. 6, 2016**

(54) **DISPENSER**

(71) Applicant: **B. Braun Melsungen AG**, Melsungen
(DE)

(72) Inventor: **Rudolf Hofstetter**, Sempach (CH)

(73) Assignee: **B. Braun Melsungen AG**, Melsungen
(DE)

(**) Term: **14 Years**

(21) Appl. No.: **29/515,494**

(22) Filed: **Jan. 23, 2015**

(30) **Foreign Application Priority Data**

Jul. 25, 2014 (EM) 002509216-0001

(51) **LOC (10) Cl.** **24-02**

(52) **U.S. Cl.**
USPC **D24/127**

(58) **Field of Classification Search**

USPC D24/127-131, 112-114, 133, 186;
606/181, 185; 604/264, 523-528, 272,
604/187, 158, 164.01-164.11, 181, 184,
604/227; 600/101, 139, 143; 128/200.24,
128/207.14, 207.15

CPC A61M 25/00; A61M 39/00; A61M 27/00
See application file for complete search history.

(56) **References Cited**

U.S. PATENT DOCUMENTS

D299,865 S * 2/1989 Kamstrup-Larsen D24/130
D473,646 S * 4/2003 Baillargeon D24/129

D506,256 S * 6/2005 Miyoshi D24/108
D538,930 S * 3/2007 Tsubouchi D24/113
7,507,223 B2 * 3/2009 Fontana A61M 31/00
222/391
7,585,287 B2 * 9/2009 Bresina A61M 5/158
604/164.01
D654,166 S * 2/2012 Lair D24/129
D655,000 S * 2/2012 Mirigian D24/130
D665,497 S * 8/2012 Marshall D24/130
D720,452 S * 12/2014 Jordan D24/130
D748,777 S * 2/2016 Uenishi D24/130
D750,239 S * 2/2016 Pappalardo D24/130
D751,192 S * 3/2016 She D24/127

* cited by examiner

Primary Examiner — David Muller

(74) *Attorney, Agent, or Firm* — Harris Beach PLLC

(57) **CLAIM**

The ornamental design for a dispenser, as shown and described.

DESCRIPTION

FIG. 1 is a perspective view of a dispenser, illustrating my new design;

FIG. 2 is a front elevation view thereof, the back elevation view is a mirror image of the front;

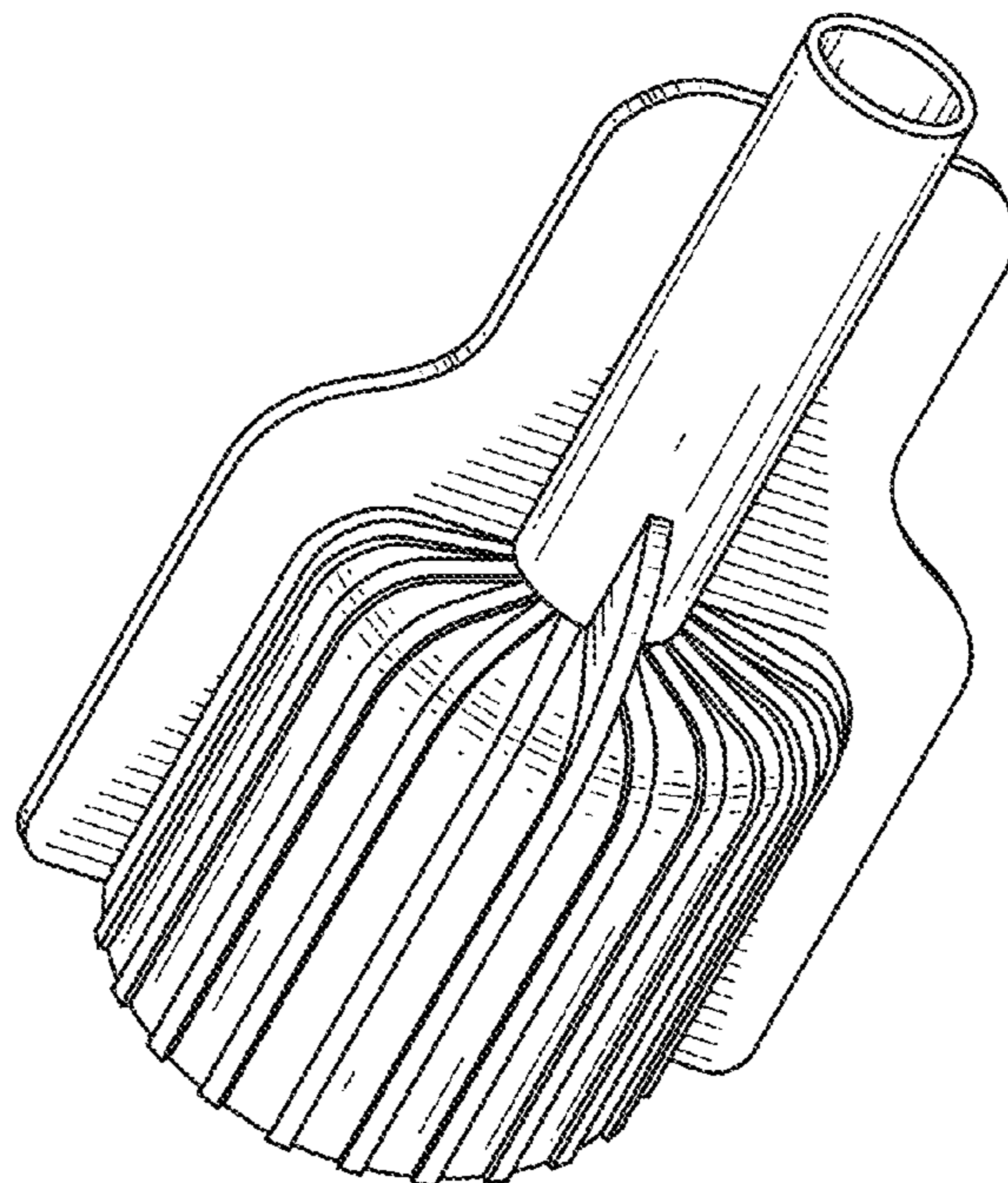
FIG. 3 is a right side elevation view thereof, the left side elevation view is a mirror image of the right side;

FIG. 4 is a top elevation view thereof; and,

FIG. 5 is a bottom elevation view thereof.

The broken lines shown in the figures are included for purposes of illustrating portions of the article and form no part of the claimed design.

1 Claim, 3 Drawing Sheets



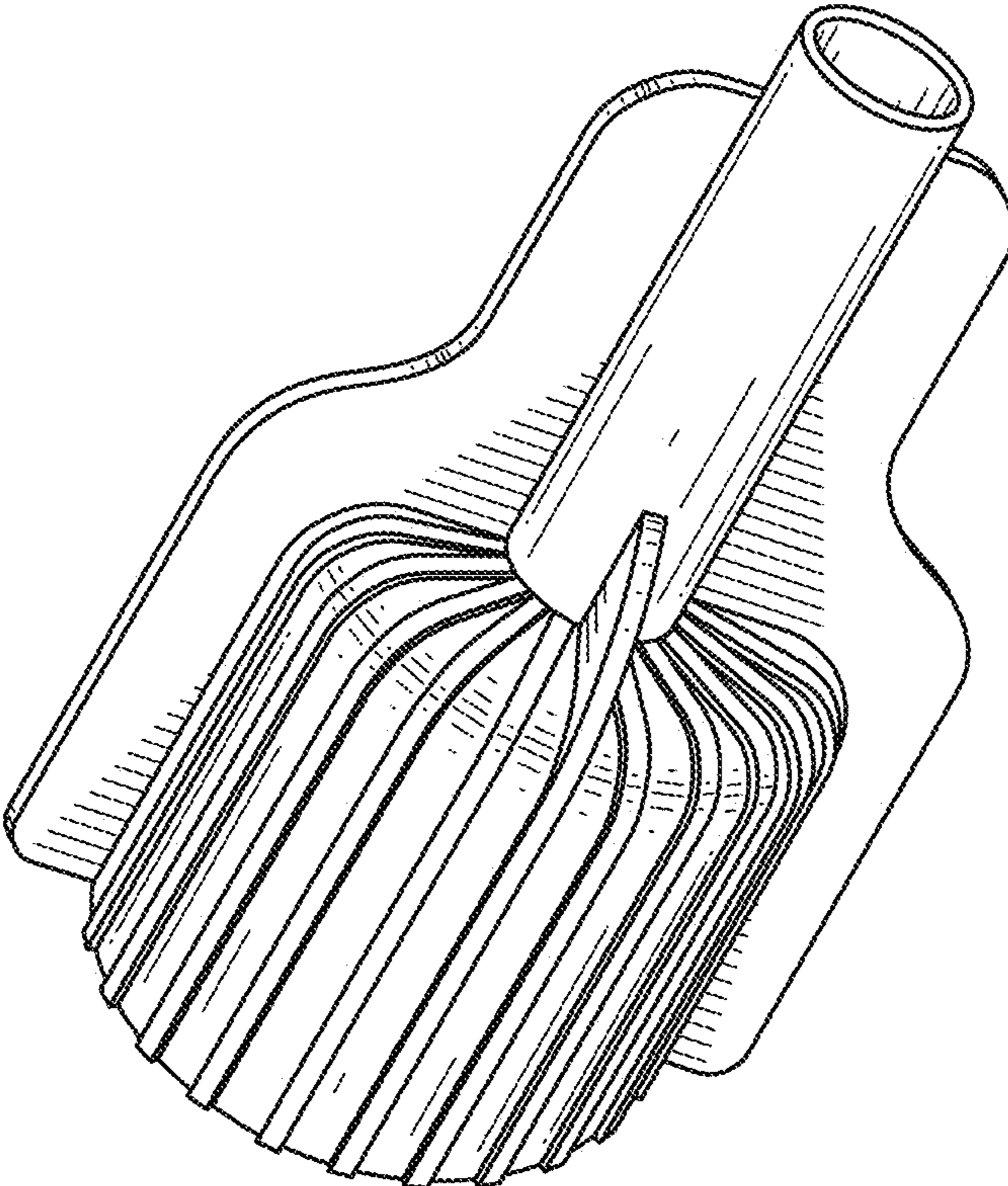


FIG. 1

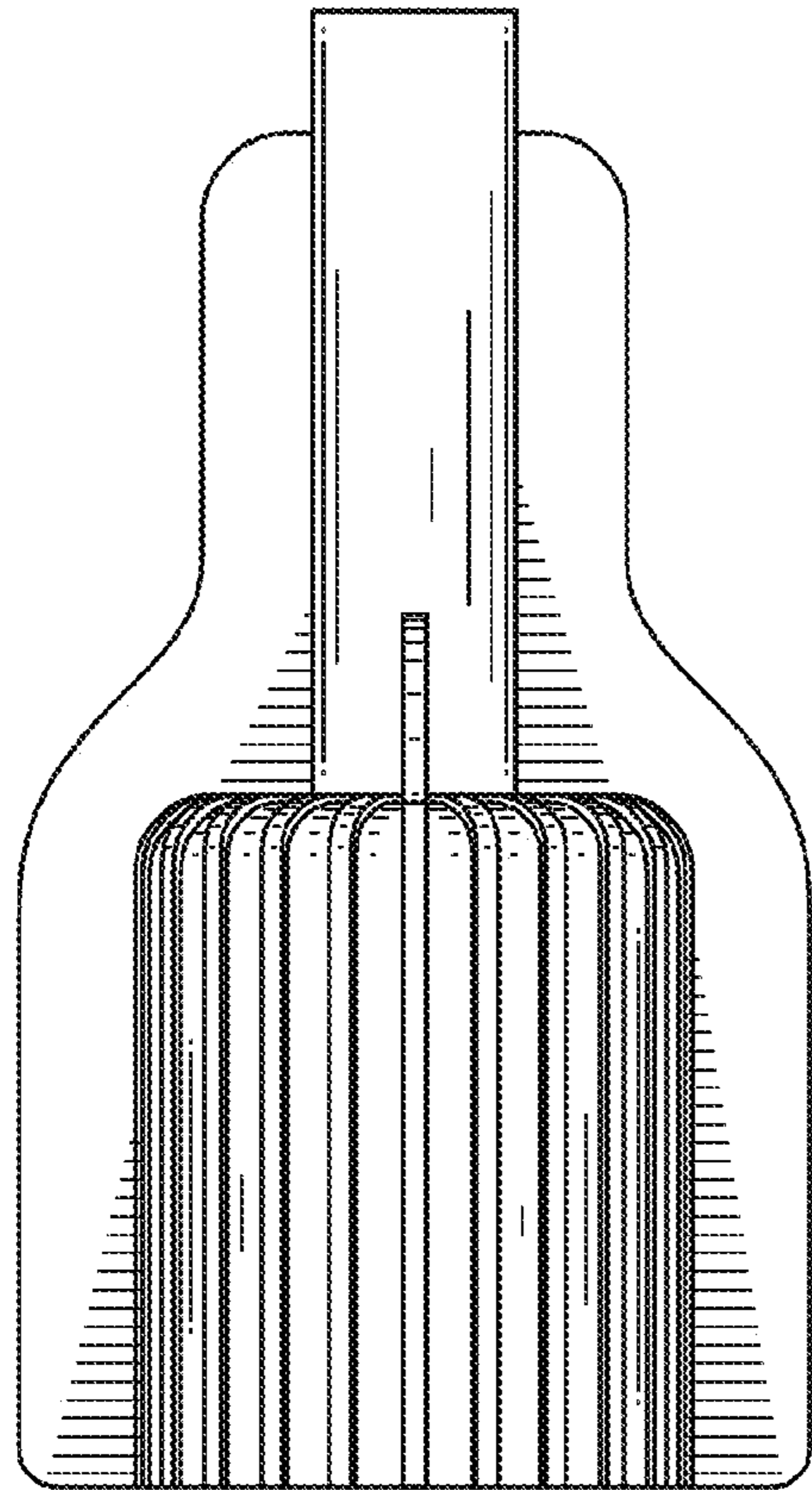


FIG. 2

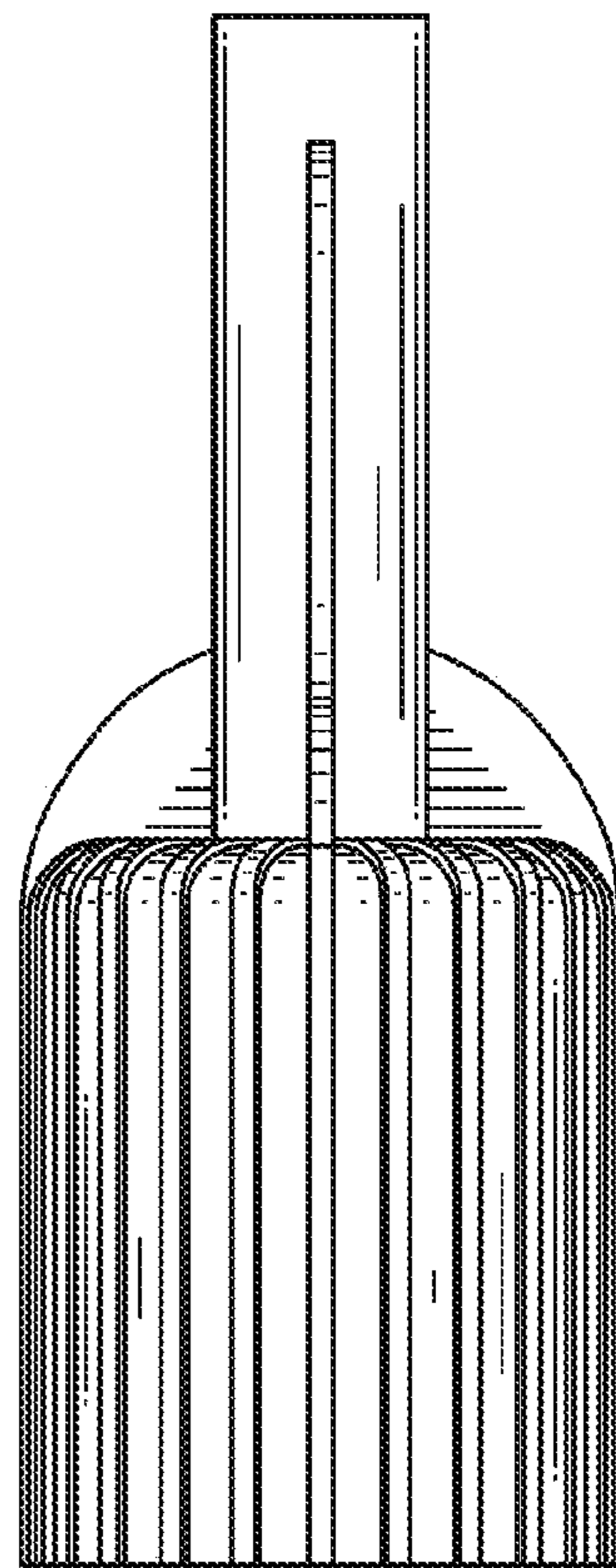


FIG. 3

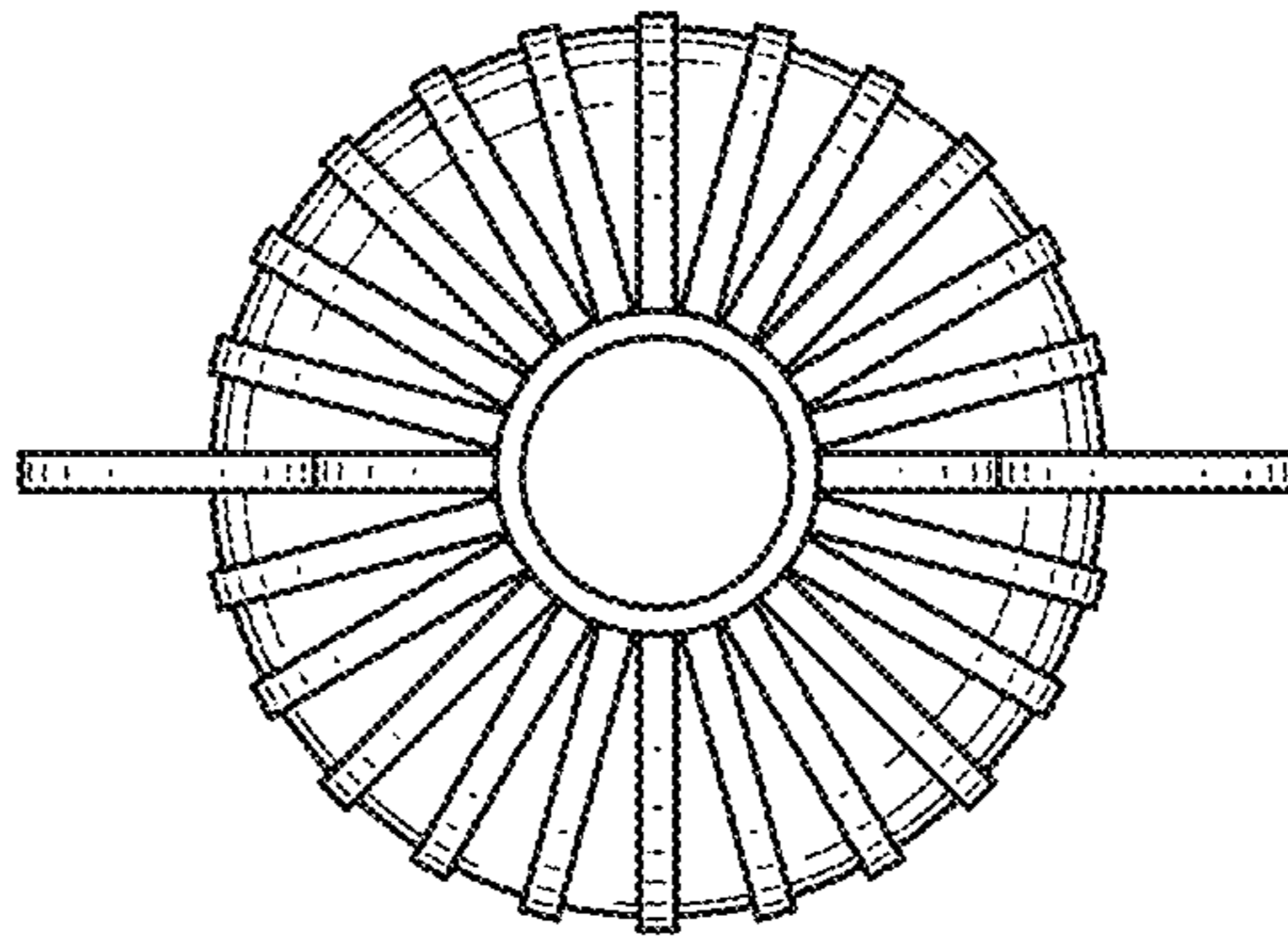


FIG. 4

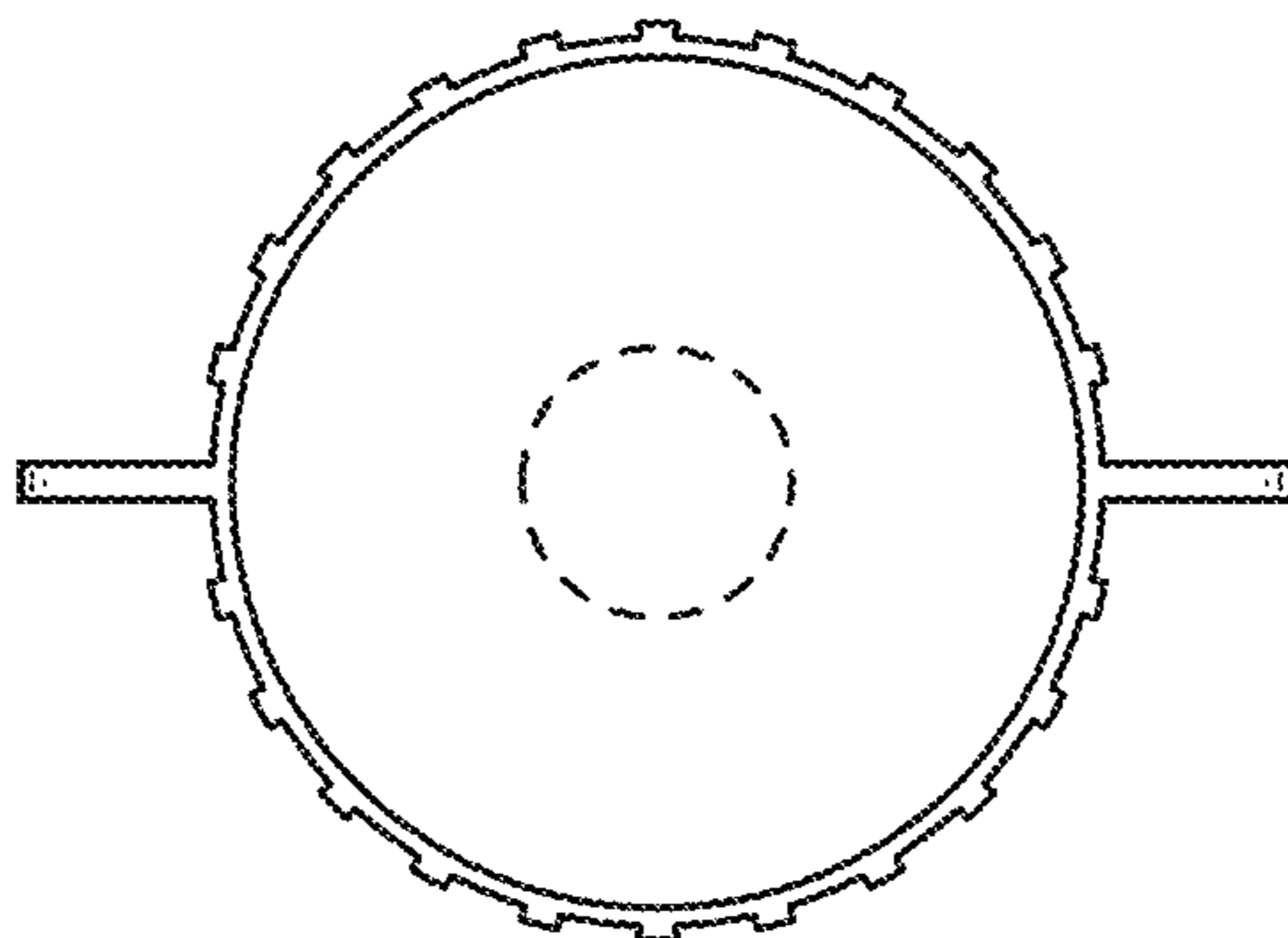


FIG. 5