



US00D773654S

(12) **United States Design Patent** (10) **Patent No.:** **US D773,654 S**
Fites et al. (45) **Date of Patent:** **** Dec. 6, 2016**

(54) **ABSORBENT ARTICLE SUBSTRATE WITH A PATTERN**

D695,895 S * 12/2013 Mason D24/126
D699,346 S * 2/2014 McElroy D24/126
D721,804 S * 1/2015 Cutshaw D24/126
2005/0217791 A1 10/2005 Costello et al.

(71) Applicant: **The Procter & Gamble Company**,
Cincinnati, OH (US)

(72) Inventors: **Theodore Cory Fites**, Cincinnati, OH (US); **Rachael Eden Walther**, Union, KY (US); **Jennifer Lynn Dusold**, Cincinnati, OH (US)

(73) Assignee: **The Procter & Gamble Company**,
Cincinnati, OH (US)

(**) Term: **14 Years**

(21) Appl. No.: **29/522,628**

(22) Filed: **Apr. 1, 2015**

(51) **LOC (10) Cl.** **24-04**

(52) **U.S. Cl.**
USPC **D24/126**

(58) **Field of Classification Search**
USPC D24/124-126; 604/347, 348, 354,
604/358-361, 378, 384, 385.01, 385.201,
604/385.22, 385.24, 385.25
See application file for complete search history.

(56) **References Cited**

U.S. PATENT DOCUMENTS

D597,665 S * 8/2009 Rinaldi D24/126
D676,132 S * 2/2013 Cutshaw D24/126
D686,318 S * 7/2013 Mason D24/126
D686,319 S 7/2013 Hawes et al.

OTHER PUBLICATIONS

U.S. Appl. No. 29/522,627, filed Apr. 1, 2015, Rachael Eden Walther.

* cited by examiner

Primary Examiner — Garth Rademaker

Assistant Examiner — Samantha Q Lawrence

(74) *Attorney, Agent, or Firm* — Andrew A. Paul

(57) **CLAIM**

The ornamental design for an absorbent article substrate with a pattern, as shown and described.

DESCRIPTION

FIG. 1 is a front view of an absorbent article substrate with a pattern;

FIG. 2 is a rear view thereof;

FIG. 3 is a top end view thereof;

FIG. 4 is a left side view thereof;

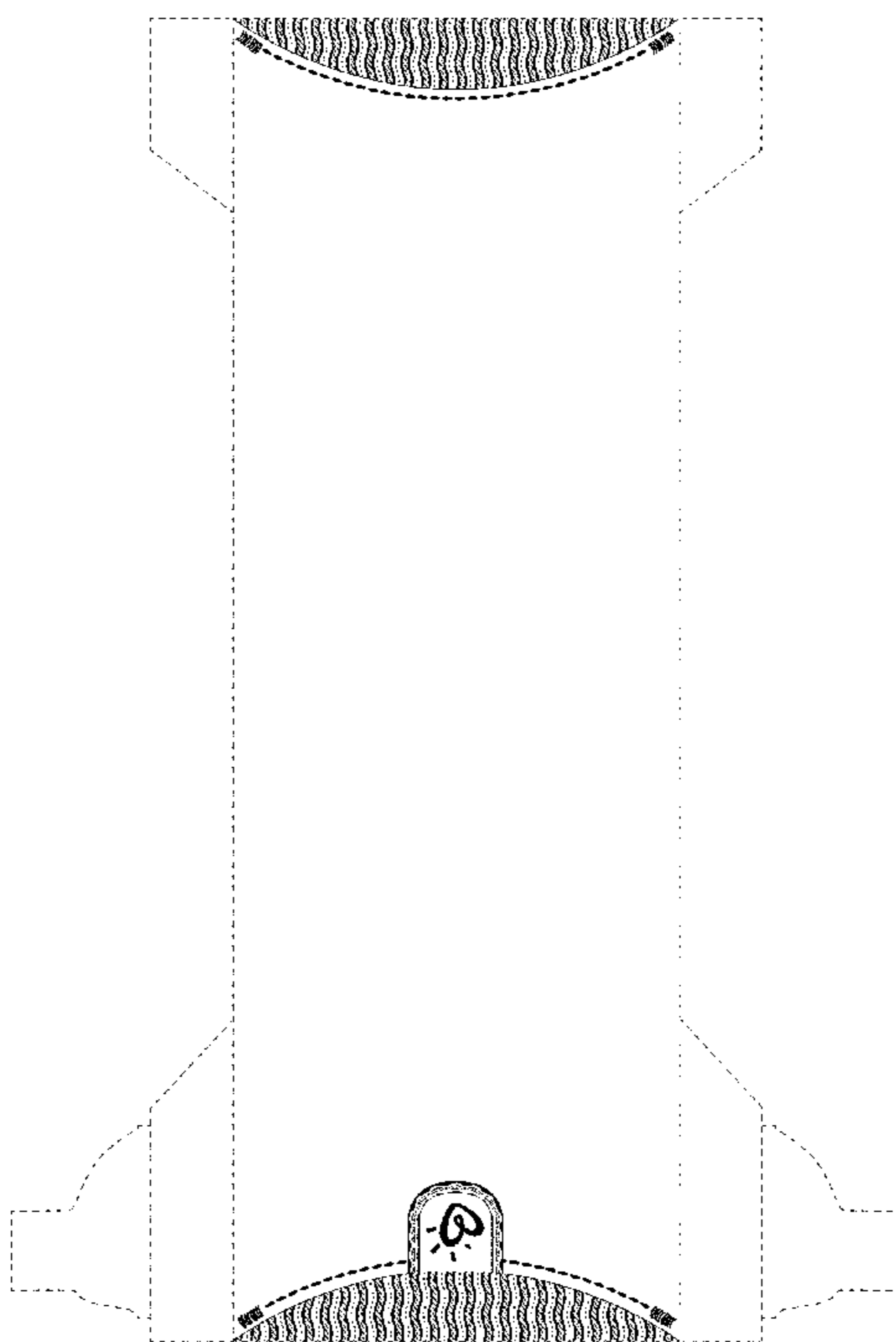
FIG. 5 is a right side view thereof; and,

FIG. 6 is a bottom end view thereof.

The broken lines, including those showing a diaper and diaper tabs and ears thereof, are included for the purpose of illustrating environment and form no part of the claimed design.

The broken lines on the absorbent article itself with the appearance of stitching form a part of the claimed design.

1 Claim, 3 Drawing Sheets



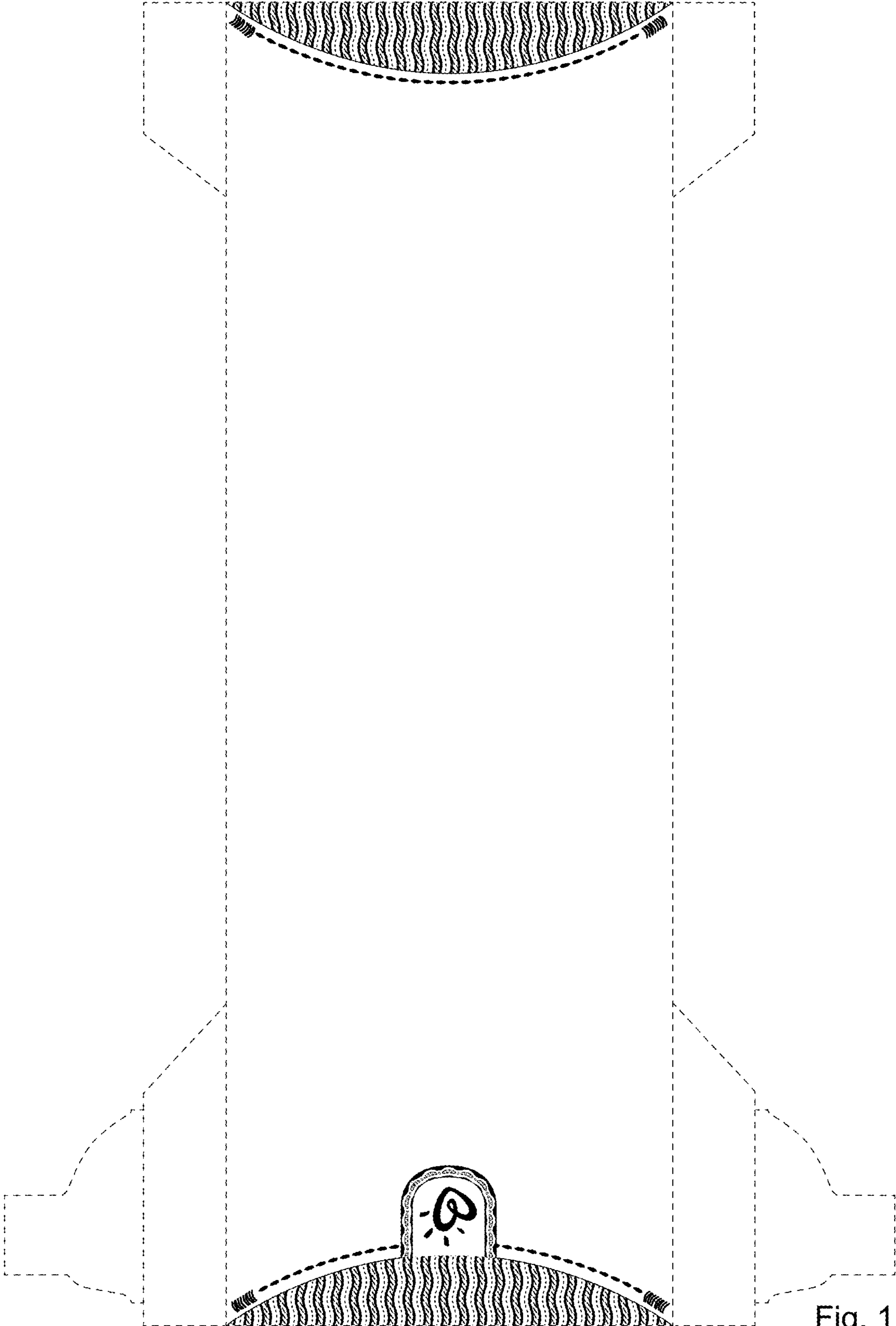


Fig. 1

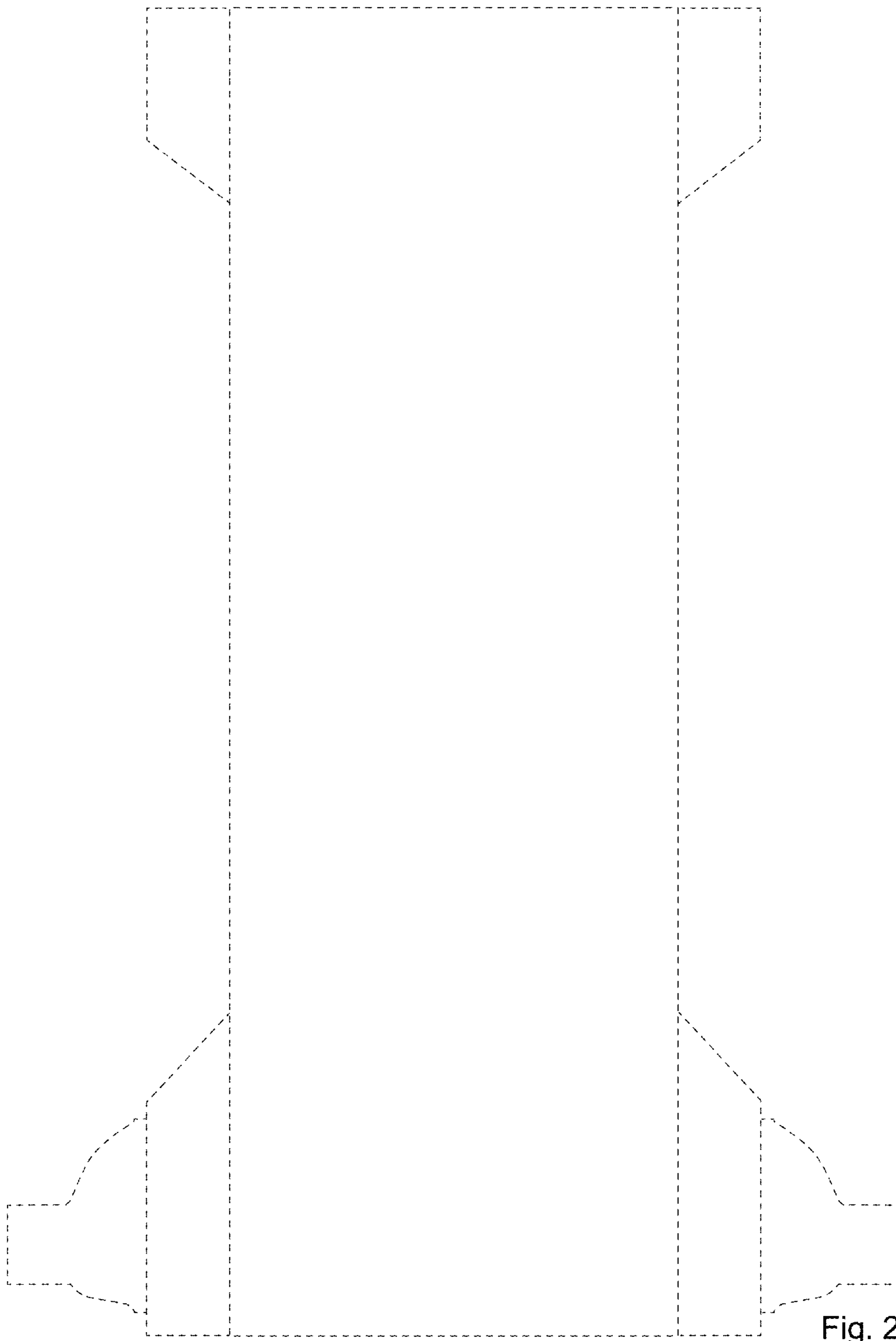


Fig. 2

Fig. 3



Fig. 4



Fig. 5

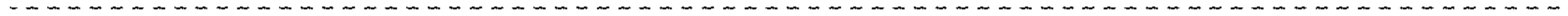


Fig. 6