



US00D773651S

(12) **United States Design Patent** (10) **Patent No.:** **US D773,651 S**  
**Chen et al.** (45) **Date of Patent:** **\*\* Dec. 6, 2016**

(54) **CANNULA INSERTION TOOL**  
(71) Applicant: **Medical Instrument Development Laboratories, Inc.**, San Leandro, CA (US)  
(72) Inventors: **David Chen**, Fremont, CA (US); **Steven Smith**, Alameda, CA (US)

(73) Assignee: **Medical Instrument Development Laboratories, Inc.**, San Leandro, CA (US)

(\*\*) Term: **15 Years**

(21) Appl. No.: **29/546,033**

(22) Filed: **Nov. 18, 2015**

**Related U.S. Application Data**

(62) Division of application No. 29/468,744, filed on Oct. 2, 2013, now Pat. No. Des. 746,443.

(51) **LOC (10) Cl.** ..... **24-02**

(52) **U.S. Cl.**  
USPC ..... **D24/113**

(58) **Field of Classification Search**  
USPC ..... D24/113, 107, 108, 112, 114, 129, 130, D24/146, 147  
CPC ..... A61B 1/00087; A61B 1/00154; A61B 10/0283; A61B 17/3417; A61B 17/3421; A61B 17/3423; A61B 17/3439; A61B 18/1477; A61B 18/1482; A61B 18/1485; A61B 2017/0425; A61B 2017/2906; A61B 2017/3447; A61B 2017/3454; A61B 2017/346; A61M 2025/0042; A61M 2025/006; A61M 2025/0063; A61M 25/0069; A61M 25/012; A61M 25/0105

See application file for complete search history.

(56) **References Cited**  
U.S. PATENT DOCUMENTS  
1,434,388 A 11/1922 Hughes  
3,190,661 A 6/1965 Wahl et al.  
3,313,299 A 4/1967 Spademan  
3,510,177 A 5/1970 Shimula  
(Continued)

**FOREIGN PATENT DOCUMENTS**

CN 302968131 \* 10/2014  
CN 303114901 2/2015  
(Continued)

**OTHER PUBLICATIONS**

Pallucci, Description d'un nouvel instrument propre a abraisier la cataracte avec tout le success possible. Paris: Son of d'Houry, 1 page, 1750.

(Continued)

*Primary Examiner* — Thomas Johannes  
*Assistant Examiner* — Lauren McVey  
(74) *Attorney, Agent, or Firm* — Michael Best & Friedrich LLP

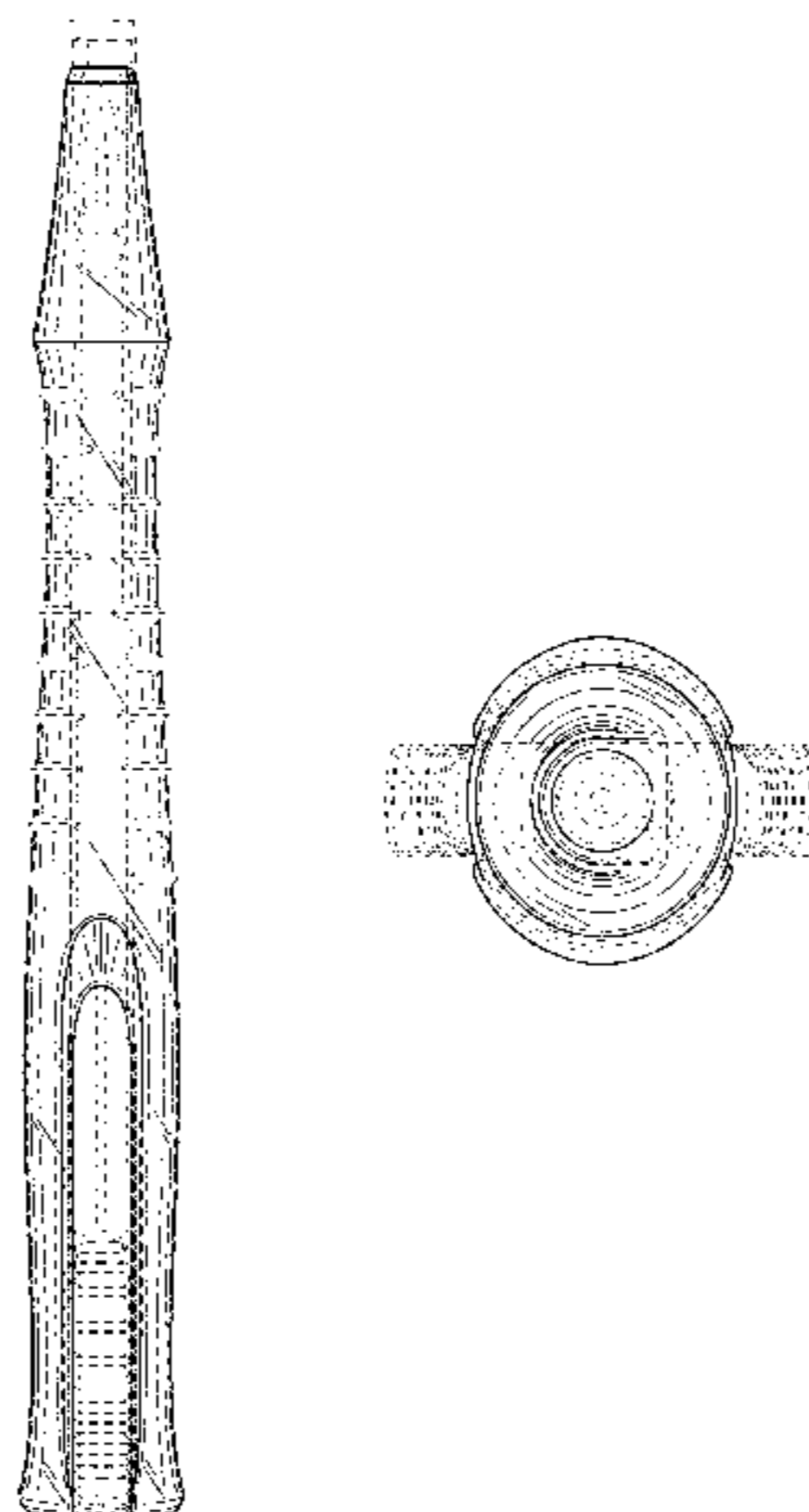
(57) **CLAIM**

We claim the ornamental design for a cannula insertion tool, as shown and described.

**DESCRIPTION**

FIG. 1 is a perspective view of a cannula insertion tool showing our new design;  
FIG. 2 is a first side view thereof;  
FIG. 3 is a second side view thereof;  
FIG. 4 is a third side view thereof;  
FIG. 5 is a fourth side view thereof;  
FIG. 6 is a first end view thereof; and,  
FIG. 7 is a second end view thereof.

(Continued)



Portions of the cannula insertion tool shown in broken lines form no part of the claimed design.

**1 Claim, 4 Drawing Sheets**

(56)

**References Cited**

U.S. PATENT DOCUMENTS

|           |      |         |                                 |  |
|-----------|------|---------|---------------------------------|--|
| 3,568,436 | A    | 3/1971  | Heffner et al.                  |  |
| 3,776,238 | A    | 12/1973 | Peyman et al.                   |  |
| 3,815,604 | A    | 6/1974  | O'Malley et al.                 |  |
| 3,829,104 | A    | 8/1974  | Green                           |  |
| 3,853,127 | A    | 12/1974 | Spademan                        |  |
| 3,884,238 | A    | 5/1975  | O'Malley et al.                 |  |
| 4,011,869 | A    | 3/1977  | Seiler, Jr.                     |  |
| 4,146,237 | A    | 3/1979  | Bergman                         |  |
| 4,177,814 | A    | 12/1979 | Knepshield et al.               |  |
| 4,222,575 | A    | 9/1980  | Sekiguchi et al.                |  |
| 4,413,829 | A    | 11/1983 | Pietsch                         |  |
| 4,530,359 | A    | 7/1985  | Helfgott et al.                 |  |
| 4,590,935 | A    | 5/1986  | Ranalli                         |  |
| 4,653,513 | A    | 3/1987  | Dombrowski                      |  |
| 4,655,743 | A    | 4/1987  | Hyde                            |  |
| 4,655,752 | A    | 4/1987  | Honkanen et al.                 |  |
| 4,693,343 | A    | 9/1987  | Boyd                            |  |
| 4,696,298 | A    | 9/1987  | Higgins et al.                  |  |
| 4,756,536 | A    | 7/1988  | Belcher                         |  |
| 4,759,359 | A    | 7/1988  | Willis et al.                   |  |
| 4,819,635 | A    | 4/1989  | Shapiro                         |  |
| 4,895,147 | A    | 1/1990  | Bodicky et al.                  |  |
| 4,958,625 | A    | 9/1990  | Bates et al.                    |  |
| 5,006,123 | A    | 4/1991  | Soll et al.                     |  |
| 5,009,435 | A    | 4/1991  | Villanyi et al.                 |  |
| 5,019,035 | A    | 5/1991  | Missirlian et al.               |  |
| 5,041,095 | A    | 8/1991  | Littrell                        |  |
| 5,176,628 | A    | 1/1993  | Charles et al.                  |  |
| 5,284,472 | A    | 2/1994  | Sussman et al.                  |  |
| 5,547,473 | A    | 8/1996  | Peyman                          |  |
| 5,752,938 | A    | 5/1998  | Flatland et al.                 |  |
| 5,803,919 | A    | 9/1998  | Hart et al.                     |  |
| 5,843,111 | A    | 12/1998 | Vijfvinkel                      |  |
| 5,879,357 | A    | 3/1999  | Heaton et al.                   |  |
| 5,979,494 | A    | 11/1999 | Perkins et al.                  |  |
| 6,006,433 | A    | 12/1999 | Baltazar                        |  |
| 6,139,560 | A    | 10/2000 | Kremer                          |  |
| 6,277,107 | B1   | 8/2001  | Lurie et al.                    |  |
| D457,955  | S    | 5/2002  | Bilitz                          |  |
| D460,179  | S    | 7/2002  | Isoda et al.                    |  |
| 6,439,541 | B1   | 8/2002  | Nösel et al.                    |  |
| 6,561,519 | B1   | 5/2003  | Frese et al.                    |  |
| 6,575,990 | B1   | 6/2003  | Wang et al.                     |  |
| 6,602,268 | B2   | 8/2003  | Kuhr et al.                     |  |
| D581,461  | S    | 11/2008 | Li                              |  |
| 7,604,647 | B2   | 10/2009 | Chen                            |  |
| D612,052  | S    | 3/2010  | McCollam et al.                 |  |
| D653,337  | S    | 1/2012  | Kampa et al.                    |  |
| 8,591,463 | B1 * | 11/2013 | Cowe ..... A61M 5/20<br>604/117 |  |
| 8,845,584 | B2   | 9/2014  | Ferguson et al.                 |  |
| D732,661  | S    | 6/2015  | Dubuc et al.                    |  |

|              |      |         |  |  |
|--------------|------|---------|--|--|
| D733,289     | S    | 6/2015  | Blanchard et al.                       |  |
| D733,869     | S    | 7/2015  | Ratjen                                 |  |
| D736,923     | S *  | 8/2015  | Snow ..... D24/146                     |  |
| D741,992     | S *  | 10/2015 | Roeper ..... D24/108                   |  |
| D745,664     | S *  | 12/2015 | Pocock ..... D24/112                   |  |
| D746,443     | S *  | 12/2015 | Chen ..... D24/113                     |  |
| 2003/0199827 | A1   | 10/2003 | Thorne                                 |  |
| 2004/0092982 | A1   | 5/2004  | Sheffer                                |  |
| 2006/0089607 | A1   | 4/2006  | Chen                                   |  |
| 2006/0229563 | A1   | 10/2006 | O'Reagan et al.                        |  |
| 2007/0156224 | A1 * | 7/2007  | Cioanta ..... A61F 2/95<br>623/1.11    |  |
| 2011/0094109 | A1   | 4/2011  | Chiu                                   |  |
| 2011/0282285 | A1   | 11/2011 | Blanchard et al.                       |  |
| 2013/0102967 | A1   | 4/2013  | Hanlon et al.                          |  |
| 2013/0110125 | A1   | 5/2013  | Silvestrini et al.                     |  |
| 2013/0274870 | A1 * | 10/2013 | Lombardi ..... A61F 2/2418<br>623/2.11 |  |
| 2014/0094774 | A1   | 4/2014  | Blanchard                              |  |
| 2014/0276968 | A1 * | 9/2014  | Mikszta ..... A61F 2/0063<br>606/139   |  |
| 2015/0094751 | A1   | 4/2015  | Chen et al.                            |  |
| 2016/0074211 | A1 * | 3/2016  | Ko ..... A61B 17/3421<br>604/513       |  |

FOREIGN PATENT DOCUMENTS

|    |            |    |        |  |
|----|------------|----|--------|--|
| WO | 01/68016   | A2 | 9/2001 |  |
| WO | 2006061027 | A2 | 6/2006 |  |

OTHER PUBLICATIONS

Machemer et al., Vitrectomy: A Pars Plana Approach, Transactions American Academy of Ophthalmology and Otolaryngology, vol. 75, pp. 813-820, 1971.

Douvas, Microsurgical Pars Plana Lensectomy, Transactions American Academy of Ophthalmology and Otolaryngology, vol. 81, pp. 371-381, 1976.

Machemer et al., The Three-Port Microcannular System for Closed Vitrectomy, American Journal of Ophthalmology, vol. 100, pp. 590-592, 1985.

Zinn et al., A New Endoillumination Infusion Cannula for Pars Plana Vitrectomy, Ophthalmic Surgery, vol. 11, pp. 850-855, 1980.

Gaynon et al., Four-Port Bimanual Vitrectomy, Arch Ophthalmol., vol. 104, pp. 1088-1089, 1986.

Co-pending U.S. Appl. No. 14/044,651, filed Oct. 2, 2013.

Photographs of Alcon Cannula System with Scler Marker, publicly available before Oct. 2, 2013, 1 page.

MicroVision Incorporated, One-Step Trocar System—23 Ga, Jan. 2012, 1 page.

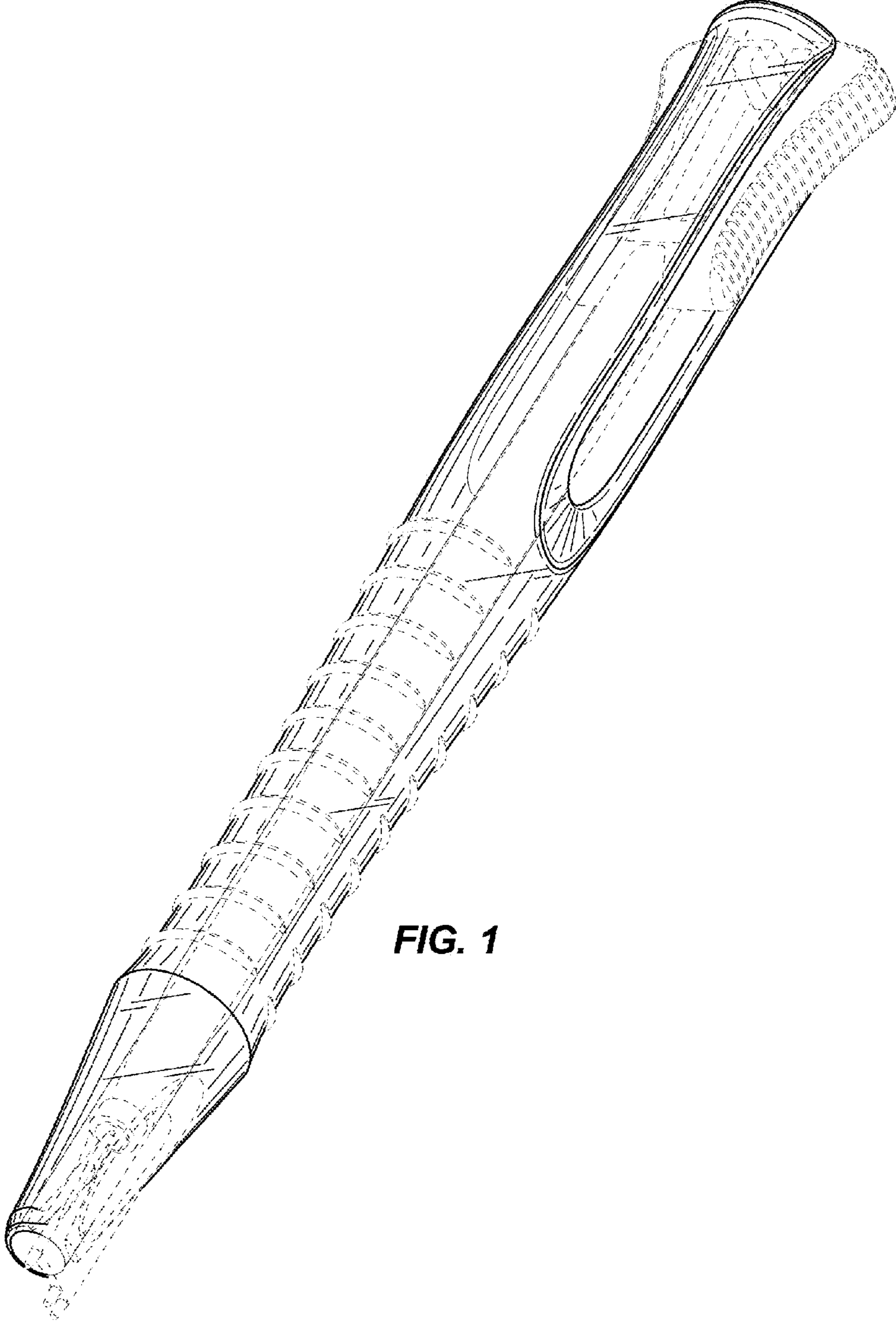
Alcon, Edge Plus Blade Valved Entry System, publicly available before Oct. 2, 2013, 1 page.

D.O.R.C., One Step 25 Gauge Transconjunctival System, 2012, 1 page.

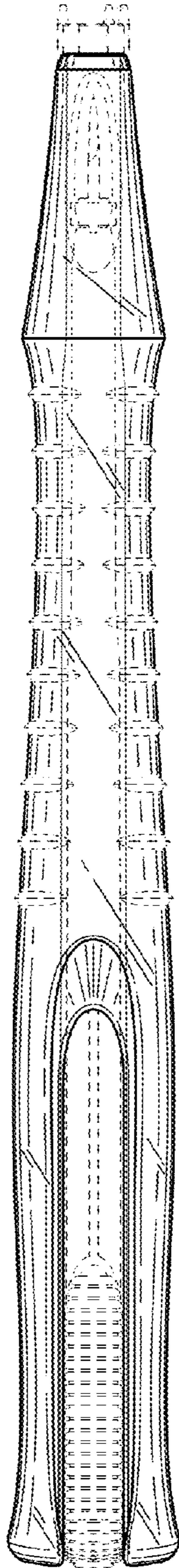
MID Labs, Single Step Cannula Insertion Systems, Feb. 2012, 2 pages.

Extended European Search Report from the European Patent Office for Application No. 14187409.9 dated Jan. 23, 2015 (9 pages).

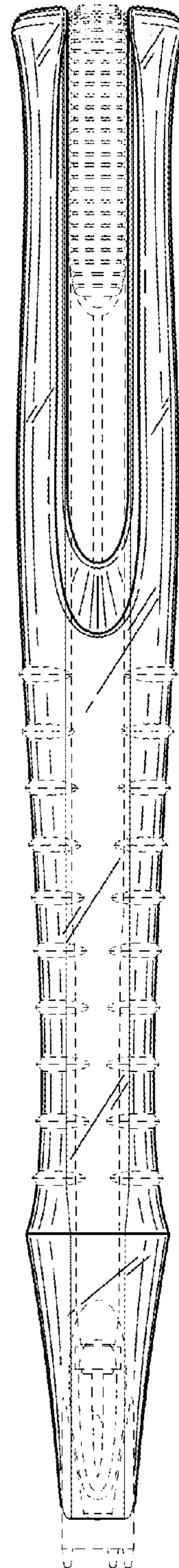
\* cited by examiner



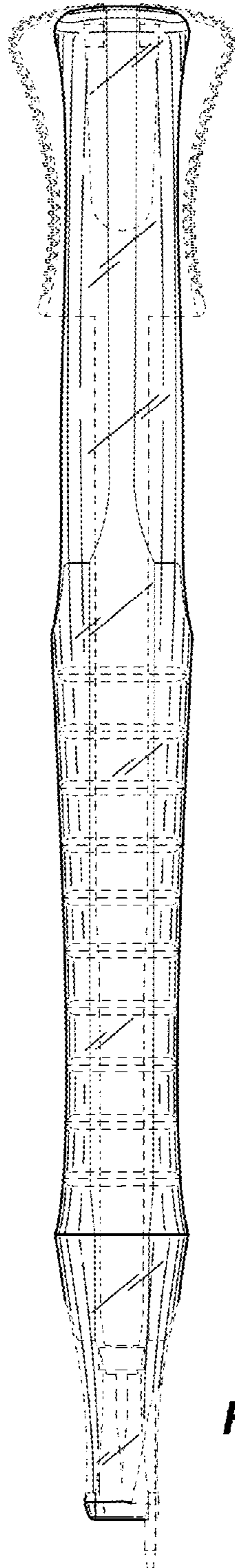
**FIG. 1**



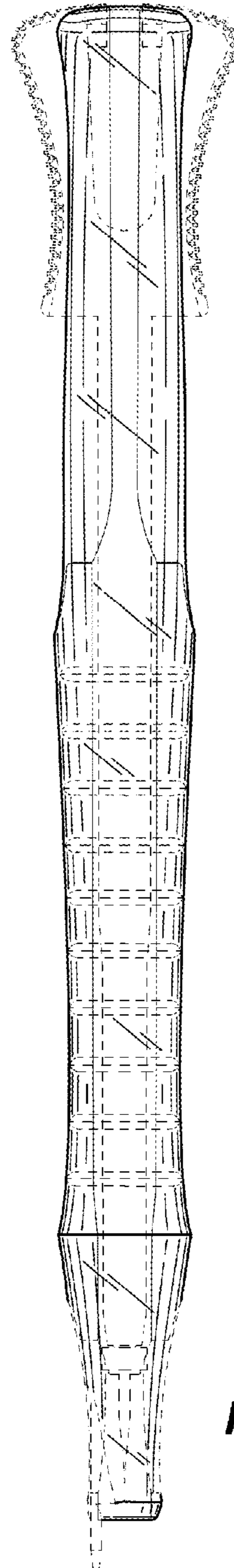
**FIG. 2**



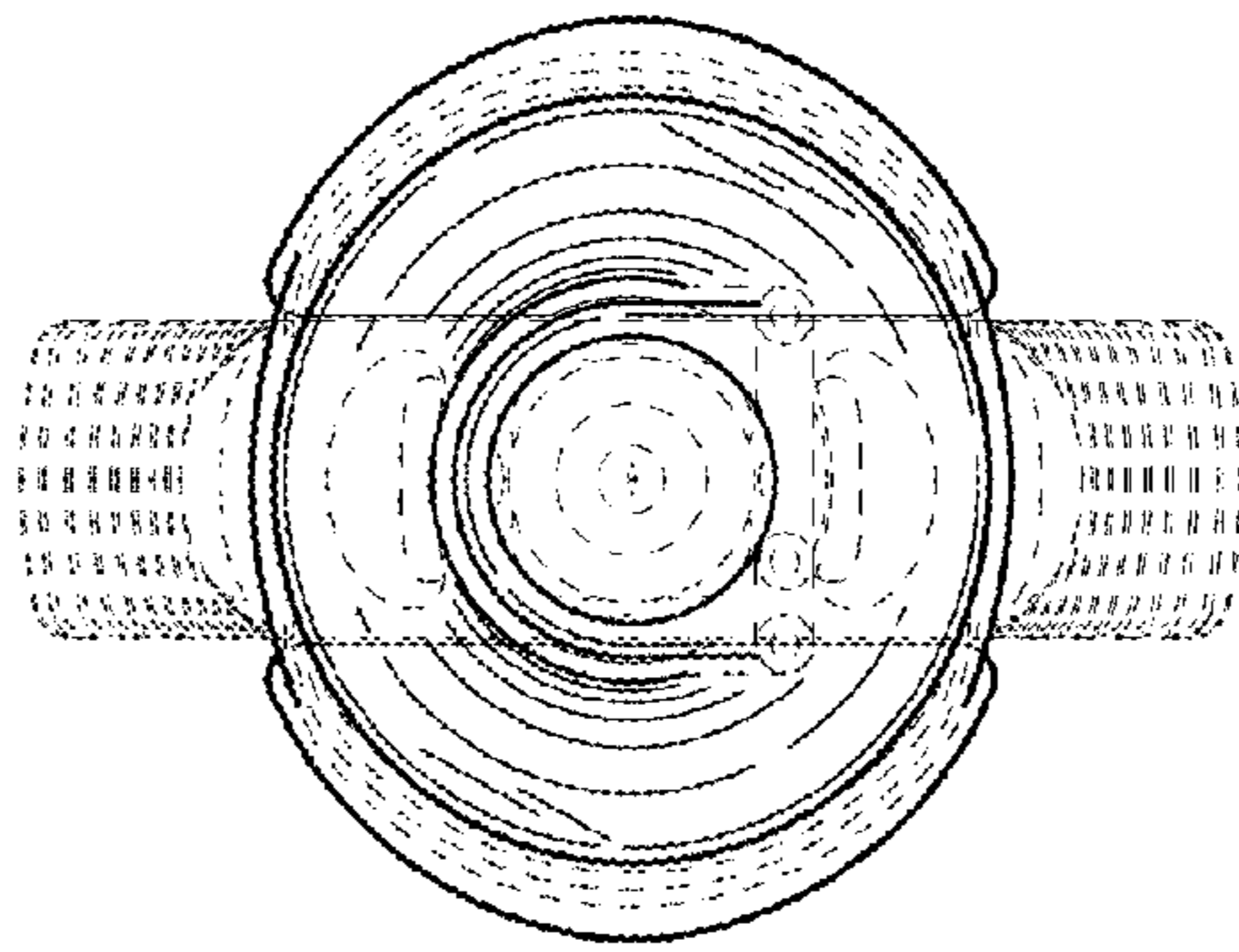
**FIG. 3**



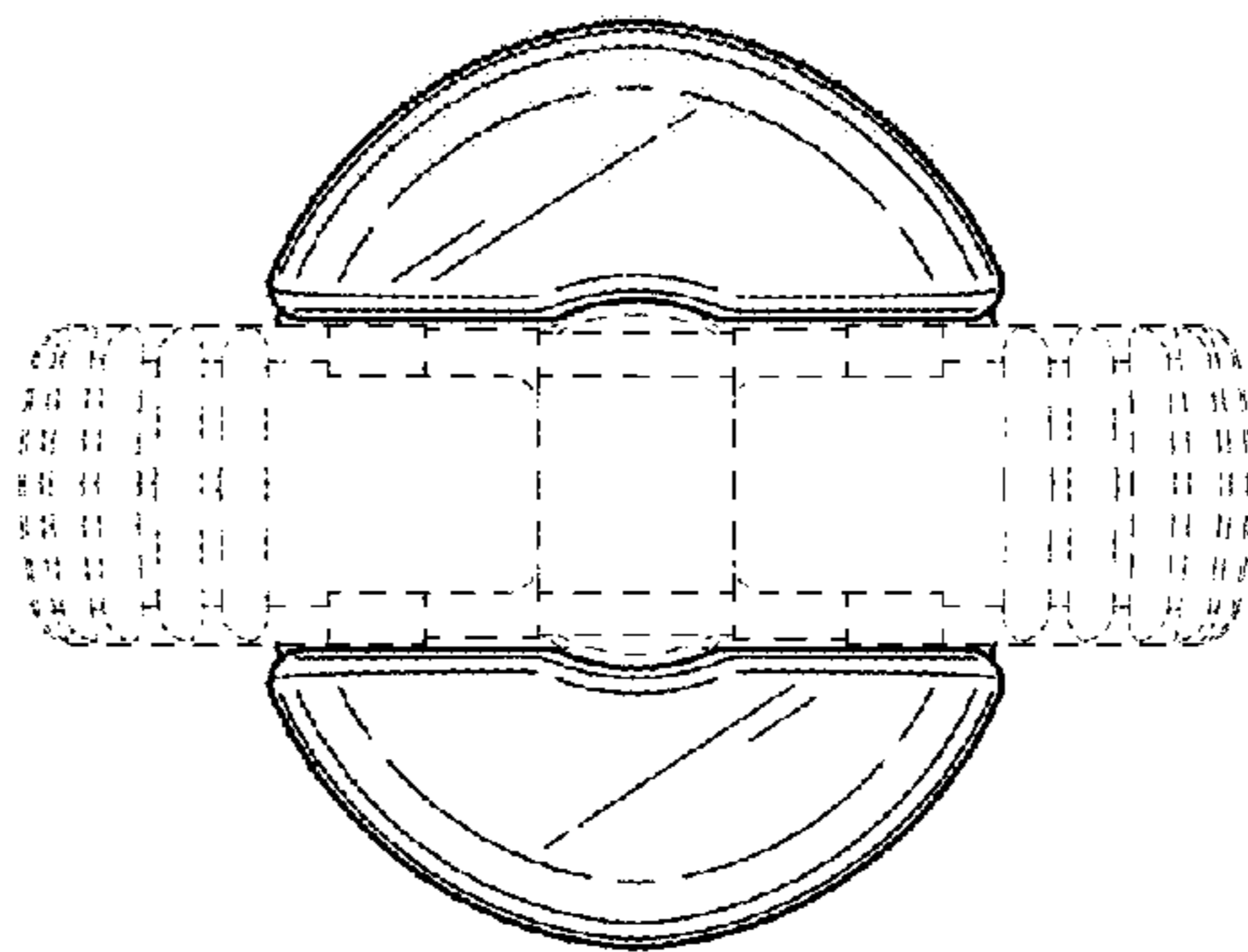
**FIG. 4**



**FIG. 5**



**FIG. 6**



**FIG. 7**