



US00D773649S

(12) **United States Design Patent** (10) **Patent No.:** **US D773,649 S**  
**Wohlfahrt et al.** (45) **Date of Patent:** **\*\* Dec. 6, 2016**

(54) **AUTOINJECTOR HOUSING**  
(71) Applicant: **Sanofi-Aventis Deutschland GmbH**,  
Frankfurt (DE)  
(72) Inventors: **Tobias Wohlfahrt**, Munich (DE);  
**Christian Rogge**, Munich (DE)  
(73) Assignee: **Sanofi-Aventis Deutschland GMBH**,  
Frankfurt am Main (DE)  
(\*\*) Term: **14 Years**

D696,773 S \* 12/2013 Schneider ..... D24/113  
D696,774 S \* 12/2013 Guarraia ..... D24/113  
D696,775 S \* 12/2013 Guarraia ..... D24/113  
D697,205 S \* 1/2014 Schneider ..... D24/113  
8,740,860 B2 \* 6/2014 Theucher ..... A61M 5/24  
604/207  
D708,317 S \* 7/2014 Schneider ..... D24/113  
D714,932 S \* 10/2014 Hall ..... D24/112  
D728,782 S 5/2015 Dubuc  
D732,161 S \* 6/2015 Ohashi ..... D24/113  
D732,661 S 6/2015 Dubuc  
D737,430 S \* 8/2015 Wargner ..... D24/112  
(Continued)

(21) Appl. No.: **29/520,142**  
(22) Filed: **Mar. 11, 2015**  
(30) **Foreign Application Priority Data**  
Jan. 7, 2015 (EM) ..... 002609784-0020  
Jan. 7, 2015 (EM) ..... 002609784-0023  
(51) **LOC (10) Cl.** ..... **24-02**  
(52) **U.S. Cl.**  
USPC ..... **D24/113**  
(58) **Field of Classification Search**  
USPC ..... D24/112-114, 108, 133, 130, 127, 186;  
606/181, 185; 604/264, 272, 187, 181,  
184, 604/227  
CPC ..... A61M 5/178; A61M 3/00; A61M 5/20;  
A61M 5/31; A61M 5/3146; A61M  
5/3129; A61M 5/3148; A61M 5/315  
See application file for complete search history.

(56) **References Cited**  
U.S. PATENT DOCUMENTS  
D484,977 S \* 1/2004 Ryan ..... D24/133  
D627,061 S \* 11/2010 Van der Stappen ..... D24/113  
8,298,194 B2 \* 10/2012 Moller ..... A61M 5/24  
604/181  
D683,016 S \* 5/2013 Mirza ..... D24/112  
D687,543 S 8/2013 Pala

**OTHER PUBLICATIONS**

Examination Report in NZ Application No. 420861, dated Nov. 10, 2015, 2 pages.

(Continued)

*Primary Examiner* — David Muller  
(74) *Attorney, Agent, or Firm* — Fish & Richardson P.C.

(57) **CLAIM**

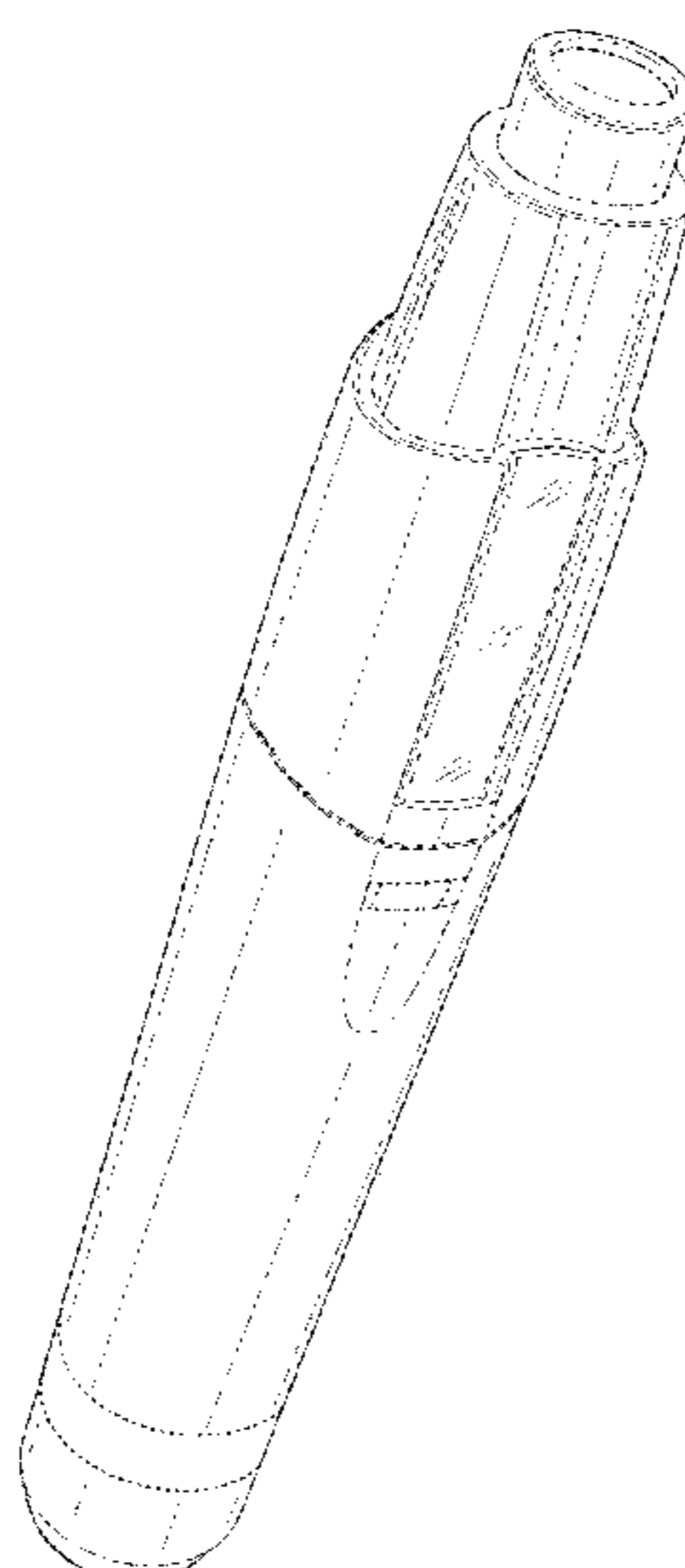
The ornamental design for an autoinjector housing, as shown and described.

**DESCRIPTION**

FIG. 1 is a front top left perspective view of an autoinjector housing showing our new design; FIG. 2 is a front elevation view thereof; FIG. 3 is a rear elevation view thereof; FIG. 4 is a left side view thereof; FIG. 5 is a right side view thereof; FIG. 6 is a top plan view thereof; and, FIG. 7 is a bottom plan view thereof.

The broken lines of even length shown in the drawings illustrate portions of the autoinjector housing that forms no part of the claimed design. The broken lines of uneven length define the boundary of the claimed design.

**1 Claim, 4 Drawing Sheets**



(56)

**References Cited**

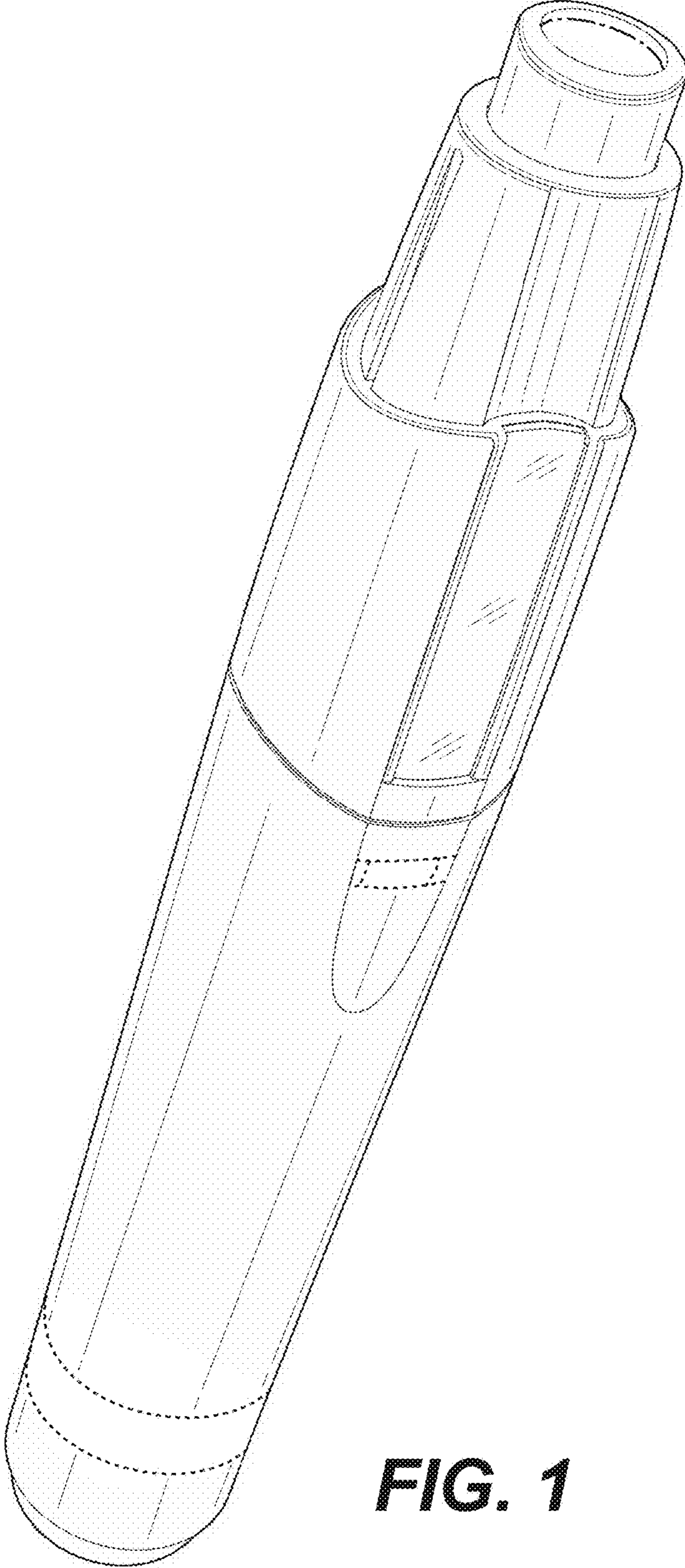
U.S. PATENT DOCUMENTS

D739,011 S     9/2015 Morrison, Jr.  
D743,539 S     11/2015 Chung  
D745,664 S     12/2015 Pocock

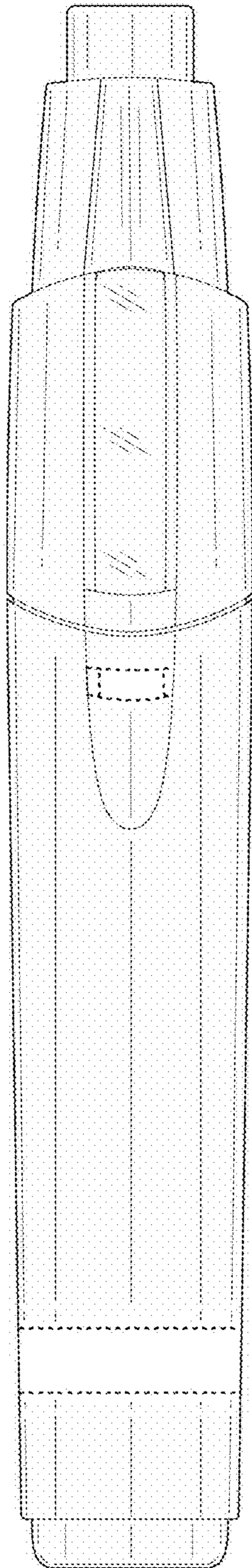
OTHER PUBLICATIONS

Screenshots relating to “Auto Injector citations by SHL Group,”  
publically visible from Dec. 30, 2014, 4 pages.

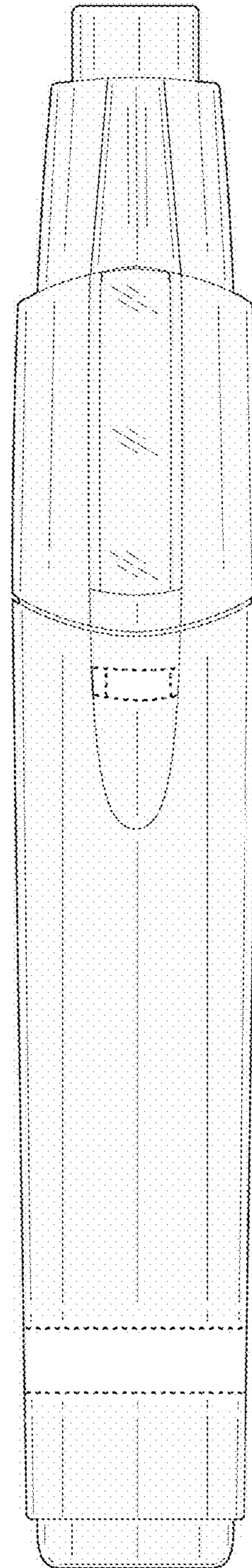
\* cited by examiner



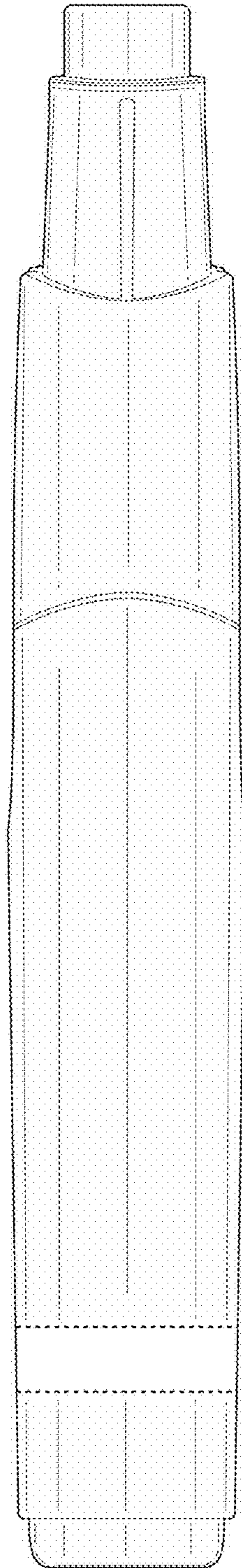
**FIG. 1**



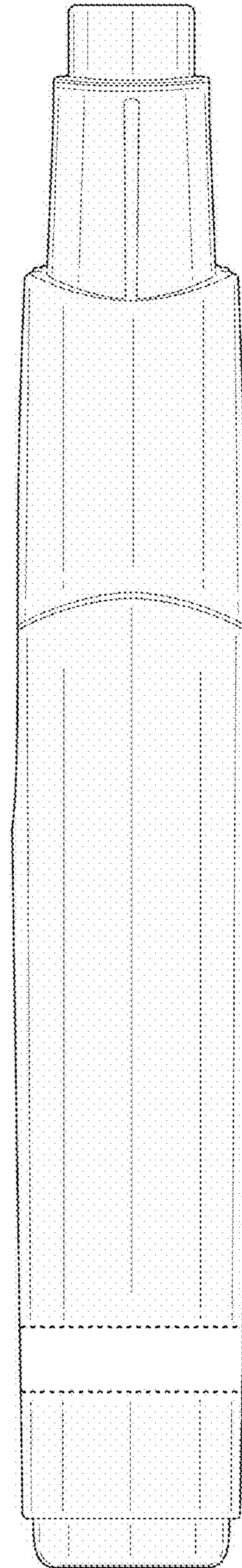
**FIG. 2**



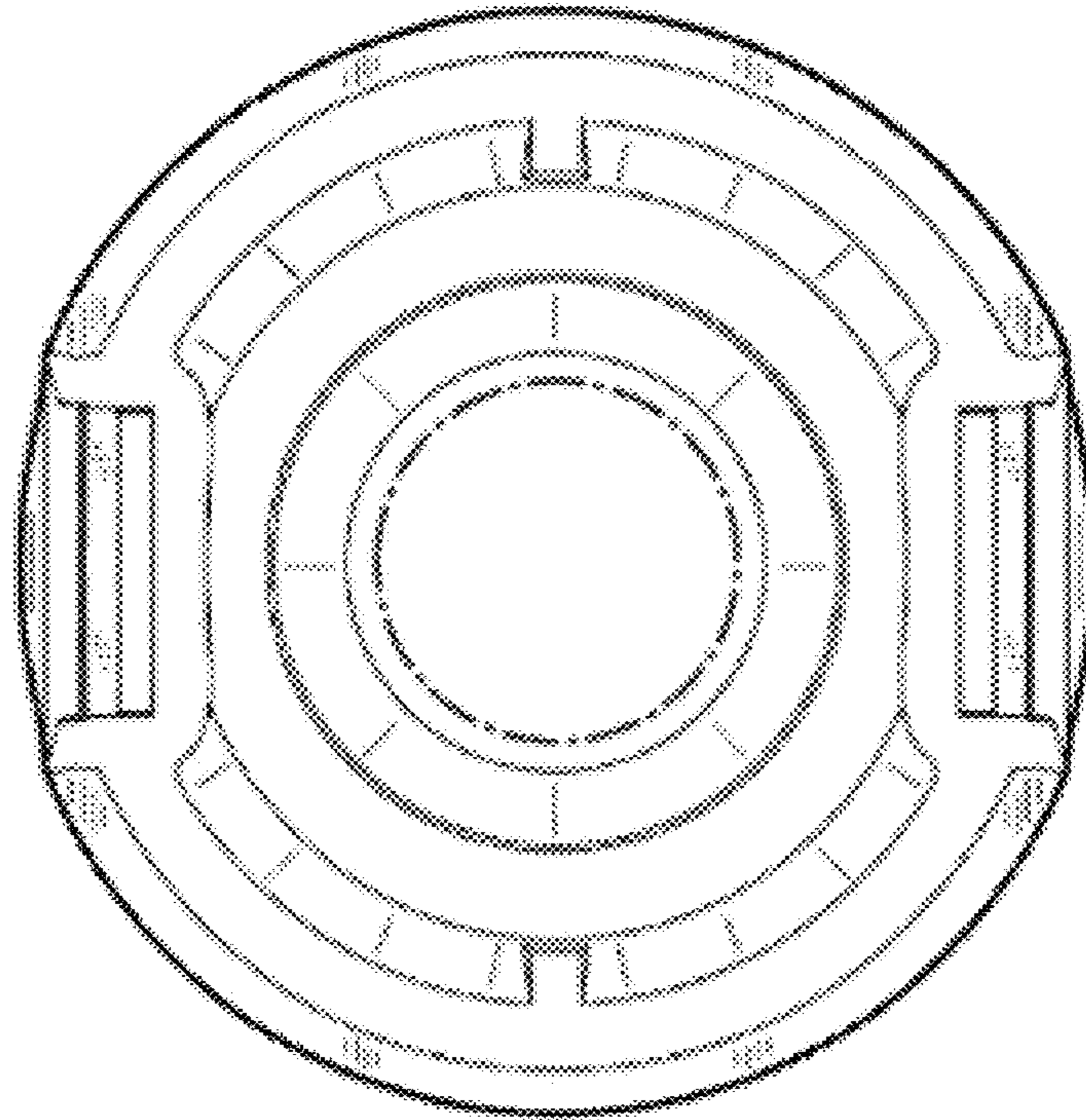
**FIG. 3**



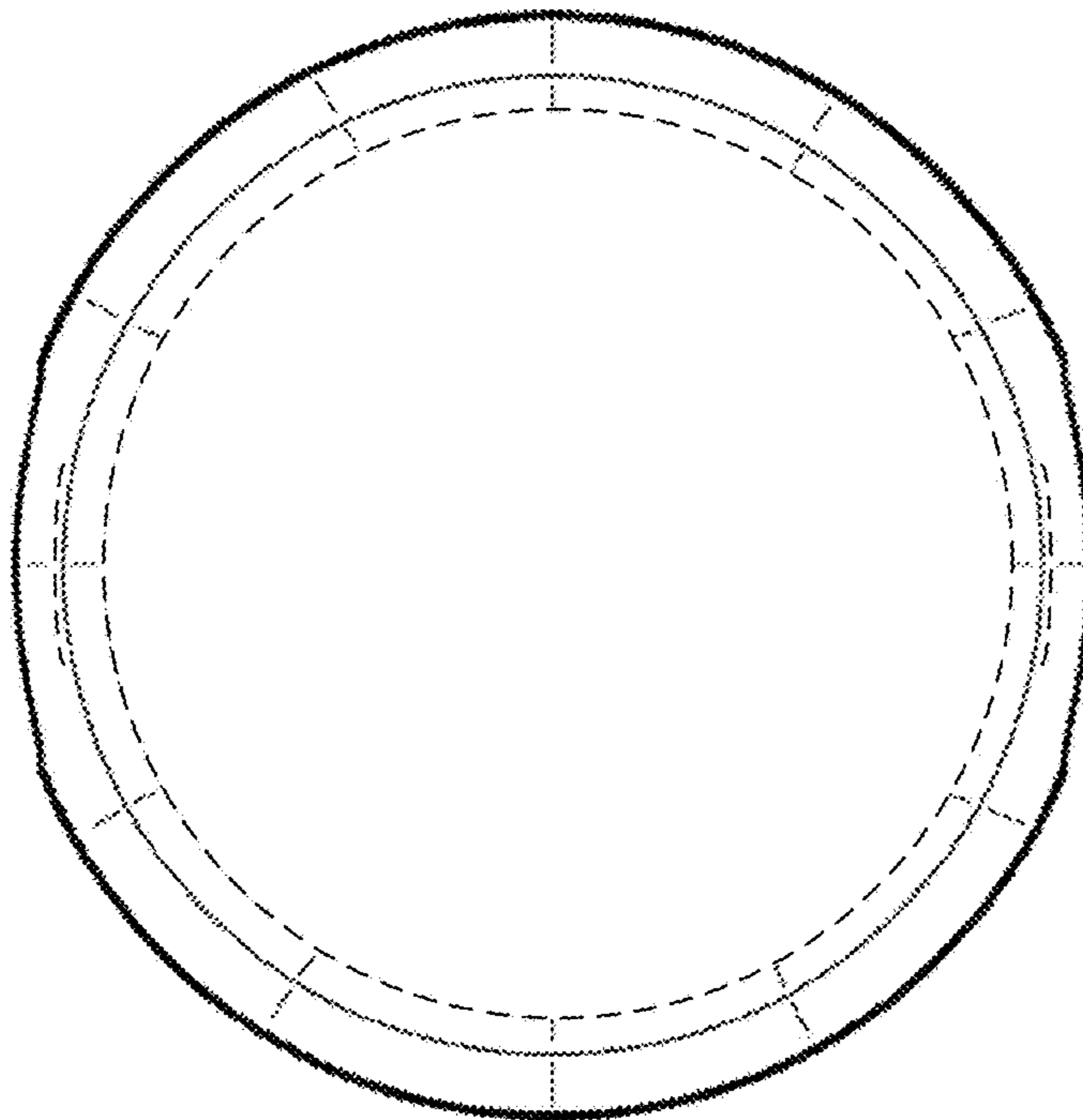
**FIG. 4**



**FIG. 5**



**FIG. 6**



**FIG. 7**