



US00D773648S

(12) **United States Design Patent** (10) **Patent No.:** **US D773,648 S**
Wohlfahrt et al. (45) **Date of Patent:** **** Dec. 6, 2016**

(54) **AUTOINJECTOR HOUSING**
(71) Applicant: **Sanofi-Aventis Deutschland GmbH**,
Frankfurt (DE)
(72) Inventors: **Tobias Wohlfahrt**, Munich (DE);
Christian Rogge, Munich (DE)
(73) Assignee: **Sanofi-Aventis Deutschland GMBH**,
Frankfurt am Main (DE)
(**) Term: **14 Years**

D696,773 S * 12/2013 Schneider D24/113
D696,774 S * 12/2013 Guarraia D24/113
D696,775 S * 12/2013 Guarraia D24/113
D697,205 S * 1/2014 Schneider D24/113
8,740,860 B2 * 6/2014 Theucher A61M 5/24
604/207
D708,317 S * 7/2014 Schneider D24/113
D714,932 S * 10/2014 Hall D24/112
D728,782 S 5/2015 Dubuc
D732,161 S * 6/2015 Ohashi D24/113
D732,661 S 6/2015 Dubuc
D737,430 S * 8/2015 Wargner D24/112
D739,011 S 9/2015 Morrison, Jr.
D743,539 S 11/2015 Chung

(Continued)

(21) Appl. No.: **29/520,089**

(22) Filed: **Mar. 11, 2015**

(30) **Foreign Application Priority Data**

Jan. 7, 2015 (EM) 002609784-0019
Jan. 7, 2015 (EM) 002609784-0022

(51) **LOC (10) Cl.** **24-02**

(52) **U.S. Cl.**
USPC **D24/113**

(58) **Field of Classification Search**
USPC D24/112-114, 108, 133, 130, 127, 186;
606/181, 185; 604/264, 272, 187, 181,
184, 604/227

CPC A61M 5/178; A61M 3/00; A61M 5/20;
A61M 5/31; A61M 5/3146; A61M
5/3129; A61M 5/3148; A61M 5/315
See application file for complete search history.

(56) **References Cited**

U.S. PATENT DOCUMENTS

D484,977 S * 1/2004 Ryan D24/133
D627,061 S * 11/2010 Van der Stappen D24/113
8,298,194 B2 * 10/2012 Moller A61M 5/24
604/181
D683,016 S * 5/2013 Mirza D24/112
D687,543 S 8/2013 Pala

OTHER PUBLICATIONS

Examination Report in NZ Application No. 420861, dated Nov. 10, 2015, 2 pages.

(Continued)

Primary Examiner — David Muller

(74) *Attorney, Agent, or Firm* — Fish & Richardson P.C.

(57) **CLAIM**

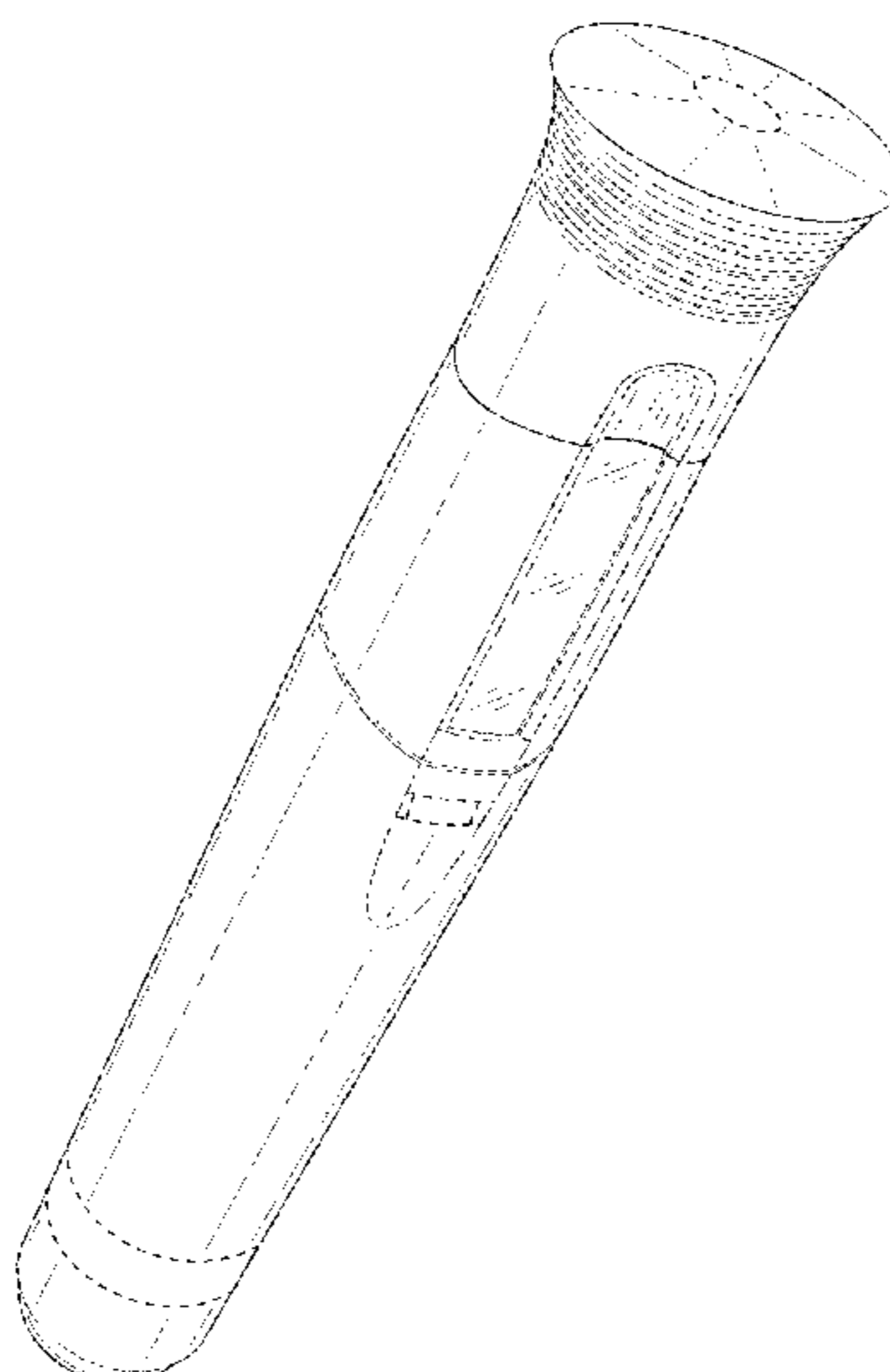
The ornamental design for an autoinjector housing, as shown and described.

DESCRIPTION

FIG. 1 is a front top left perspective view of an autoinjector housing showing our new design; FIG. 2 is a front elevation view thereof; FIG. 3 is a rear elevation view thereof; FIG. 4 is a left side view thereof; FIG. 5 is a right side view thereof; FIG. 6 is a top plan view thereof; and, FIG. 7 is a bottom plan view thereof.

The broken lines of even length shown in the drawings illustrate portions of the autoinjector housing that forms no part of the claimed design.

1 Claim, 7 Drawing Sheets



(56)

References Cited

U.S. PATENT DOCUMENTS

D745,664 S 12/2015 Pocock

OTHER PUBLICATIONS

Screenshots relating to "Auto Injector citations by SHL Group,"
publically visible from Dec. 30, 2014, 4 pages.

* cited by examiner

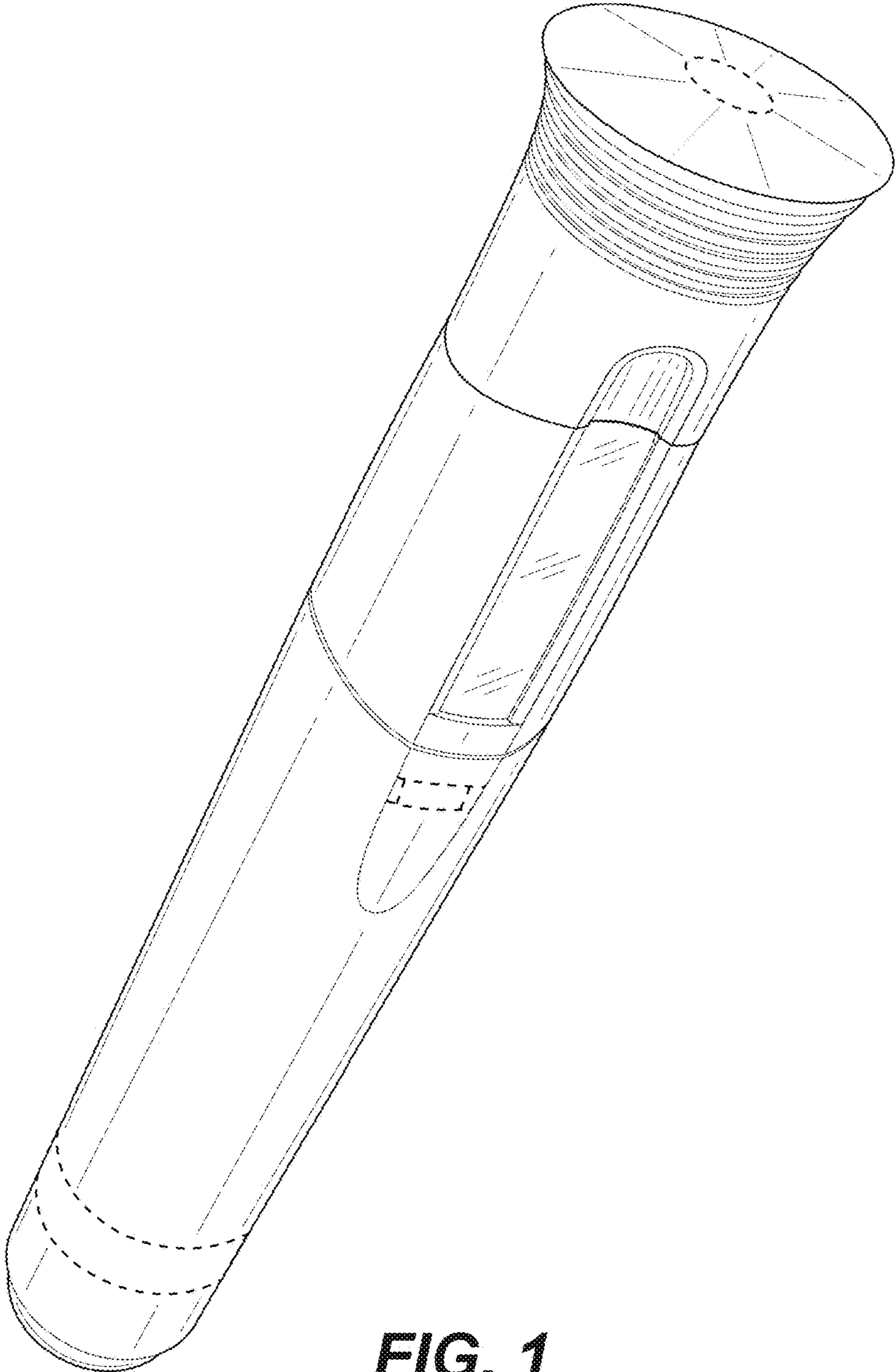


FIG. 1

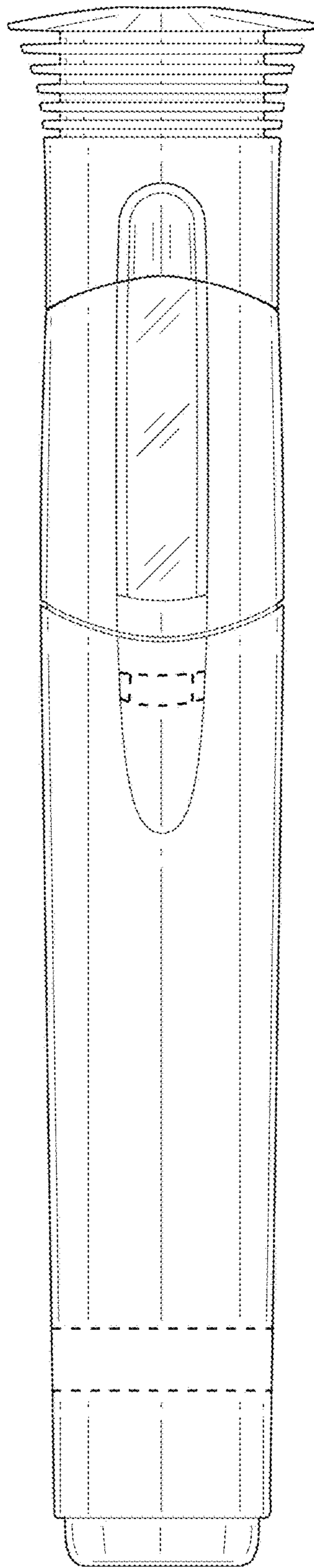


FIG. 2

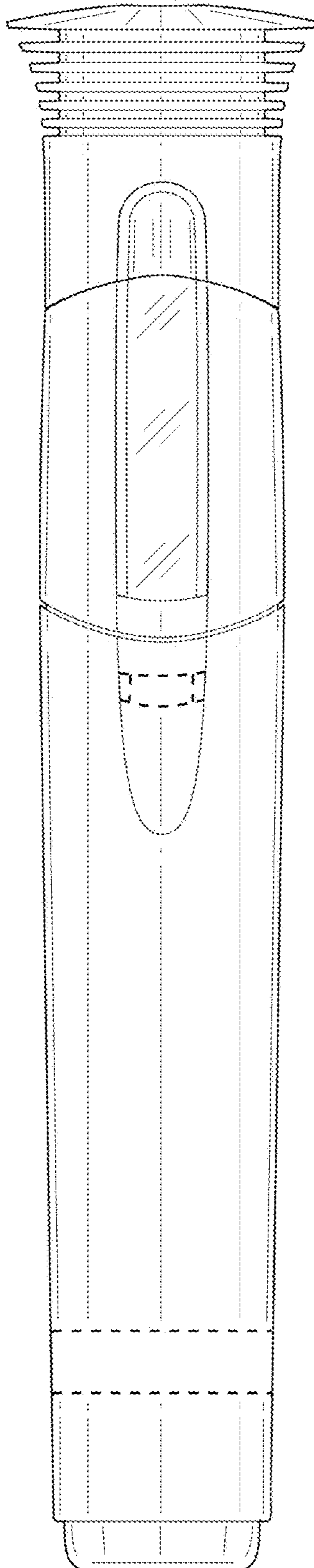


FIG. 3

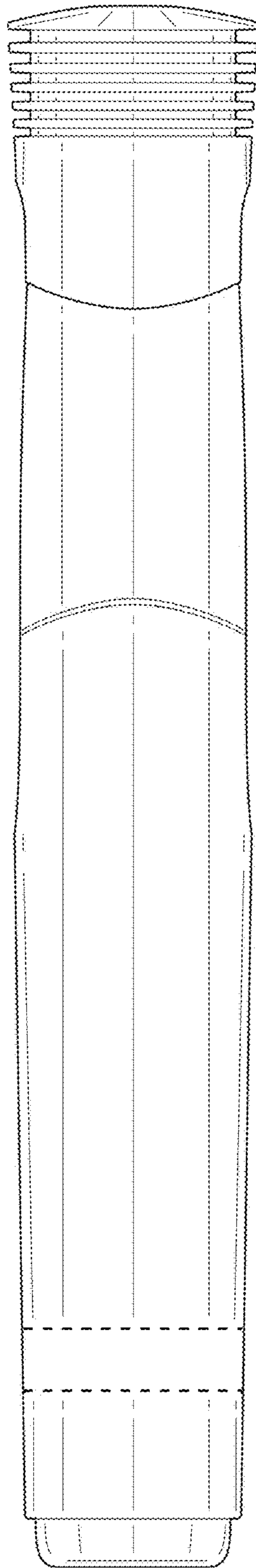


FIG. 4

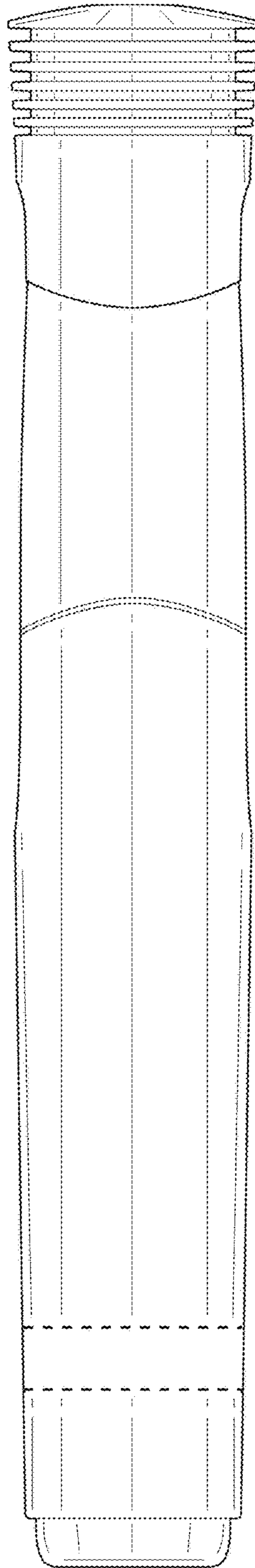


FIG. 5

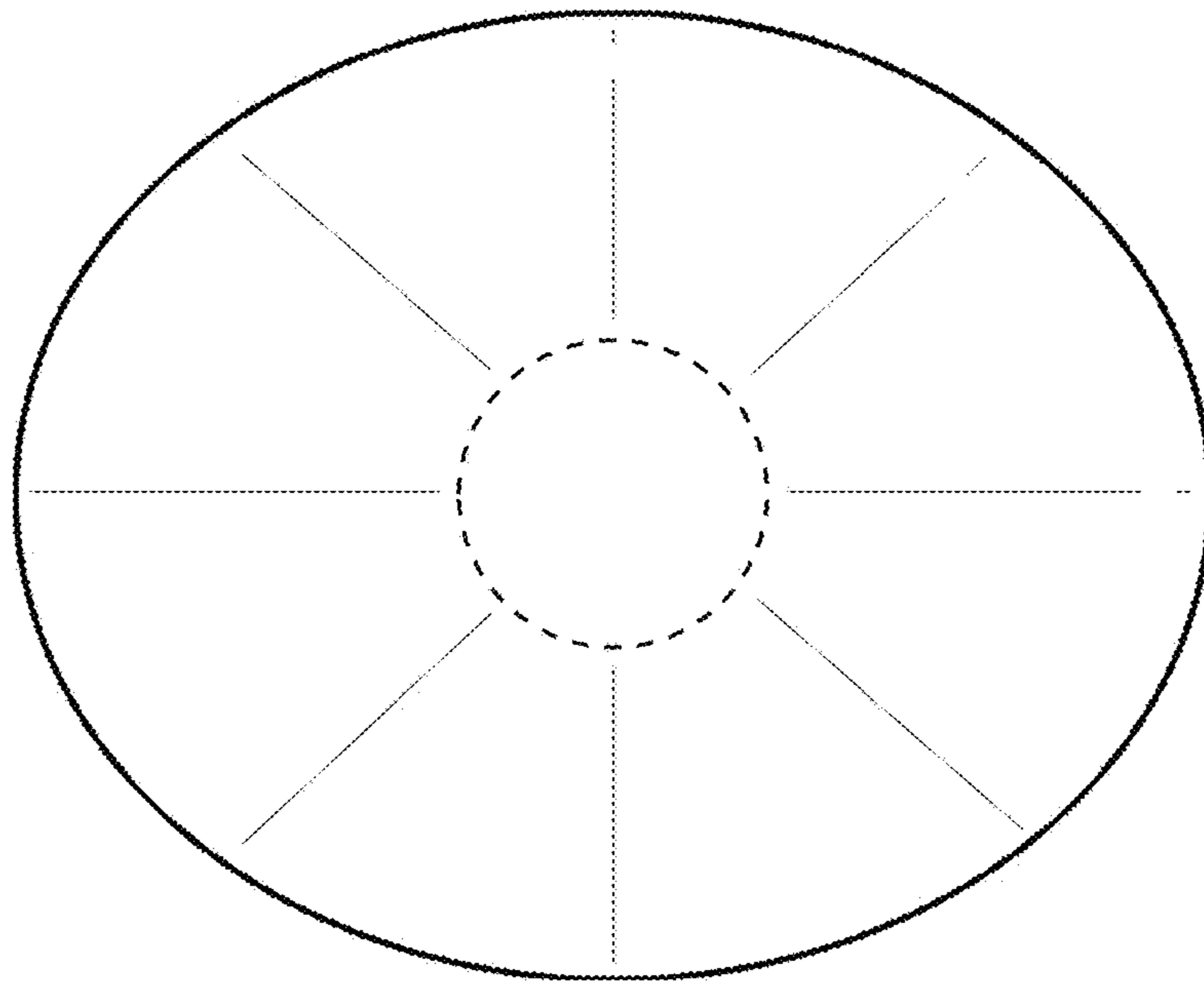


FIG. 6

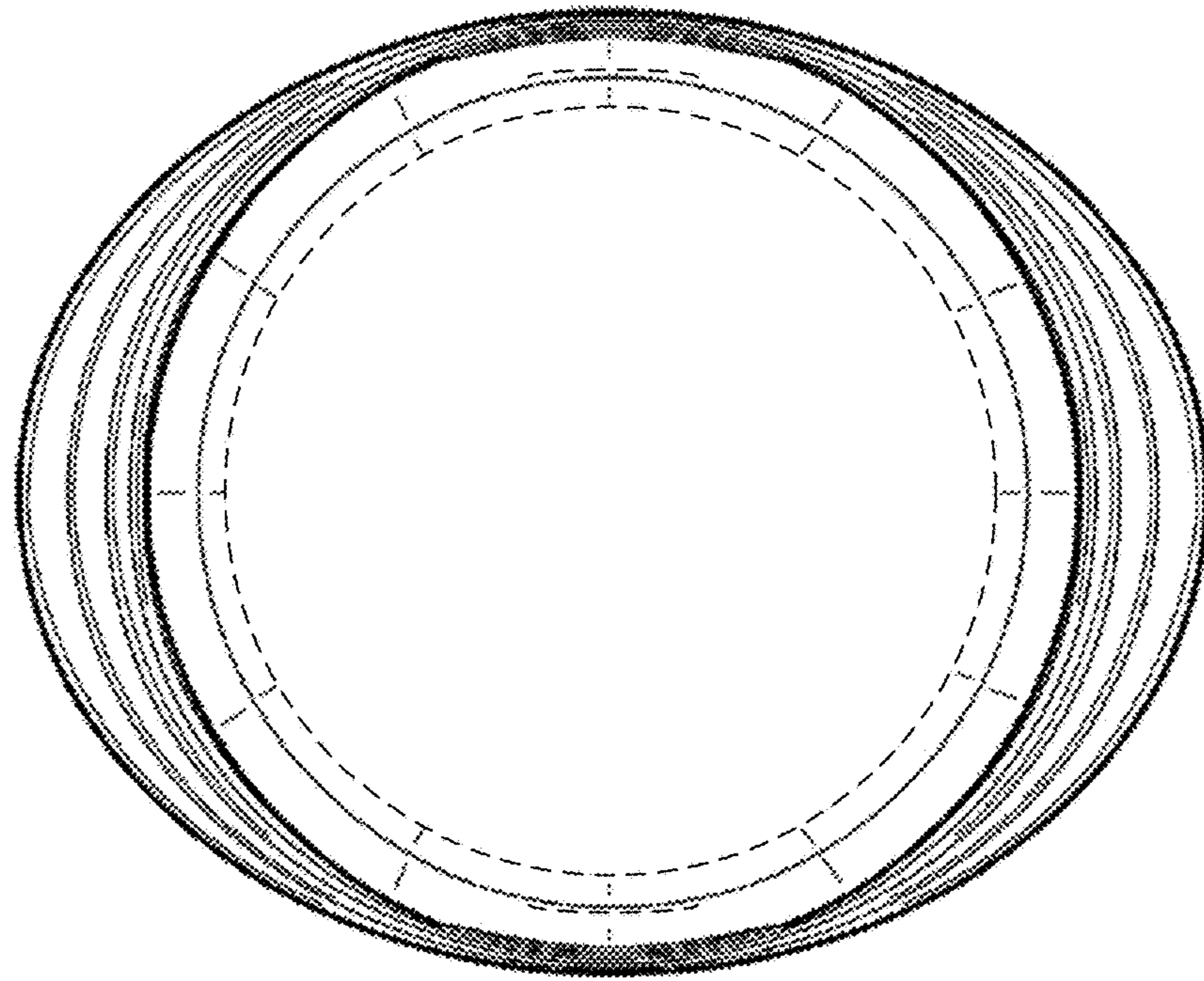


FIG. 7