



US00D773647S

(12) **United States Design Patent** (10) **Patent No.:** **US D773,647 S**
Amend Kwasnik et al. (45) **Date of Patent:** **** Dec. 6, 2016**

(54) **MEDICAL INJECTOR PEN**

CPC A61M 5/3156; A61M 5/31591; A61M
5/3155; A61M 5/3157; A61M
5/24; A61M 5/31501; A61M
5/31551; A61M 5/31585; A61M
2005/2407; A61M 2005/2492; A61M
2205/581; A61M 2205/582

(71) Applicant: **Merck Sharp & Dohme Corp.**,
Rahway, NJ (US)

See application file for complete search history.

(72) Inventors: **Angela M. Amend Kwasnik**,
Metuchen, NJ (US); **Benjamin R.
Bartfeld**, West Orange, NJ (US); **Peter
Basile**, Bloomsbury, NJ (US); **Jeffrey
C. Givand**, North Wales, PA (US);
Philip G. Green, Weehawken, NJ (US);
Sharad Gupta, Madison, NJ (US);
Christin L. O'Neill, Philadelphia, PA
(US); **Steven Carl Persak**, Lebanon,
NJ (US); **Robert Stianchi**,
Hillsborough, NJ (US); **Ari Tao Adler**,
Cambridge, MA (US); **Florian
Altmann**, München (DE); **Thomas
Junk**, München (DE); **Florian Kössler**,
München (DE); **Martin Meier**,
München (DE); **Scott R. Mackie**, New
Haven, CT (US); **Pernilla Danielsson**,
Stockholm (SE)

(56) **References Cited**

U.S. PATENT DOCUMENTS

1,686,055 A	10/1928	Whiteside
D147,579 S	9/1947	Campbell
D279,504 S	7/1985	Tump
D298,653 S	11/1988	Maietta
D320,084 S	9/1991	Stewart et al.
D369,384 S	4/1996	Yasoshima

(Continued)

Primary Examiner — David Muller

Assistant Examiner — Nathan Johnston

(74) *Attorney, Agent, or Firm* — Gloria Fuentes; John
David Reilly

(57) **CLAIM**

The ornamental design for a medical injector pen, as shown
and described.

DESCRIPTION

FIG. 1 is a perspective view of a medical injector pen
showing our new design;
FIG. 2 is a front elevation view thereof;
FIG. 3 is a left side elevation view thereof;
FIG. 4 is a right side elevation view thereof;
FIG. 5 is a rear elevation view thereof;
FIG. 6 is a top plan view thereof;
FIG. 7 is a bottom plan view thereof;
FIG. 8 is an enlarged fragmentary view of the encircled
portion labeled as “8” in FIG. 2.
FIG. 9 is an enlarged fragmentary view of the encircled
portion labeled as “9” in FIG. 3; and,
FIG. 10 is an enlarged fragmentary view of the encircled
portion labeled as “10” in FIG. 4.

(Continued)

(73) Assignee: **Merck Sharp & Dohme Corp.**,
Rahway, NJ (US)

(**) Term: **14 Years**

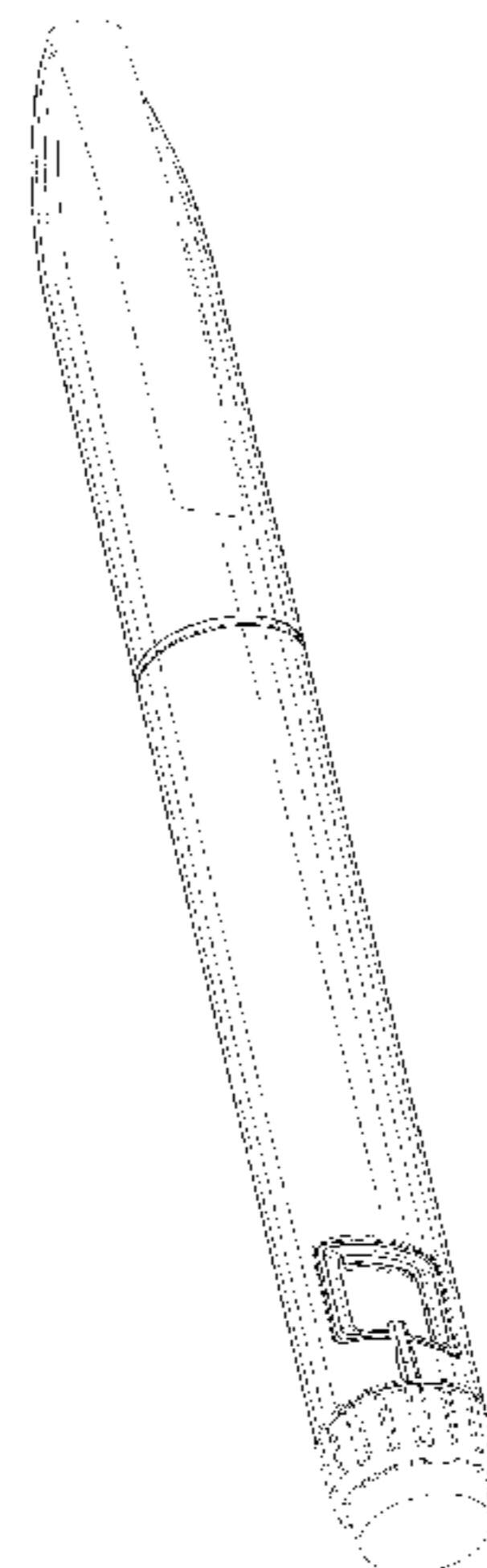
(21) Appl. No.: **29/500,644**

(22) Filed: **Aug. 27, 2014**

(51) **LOC (10) Cl.** **24-02**

(52) **U.S. Cl.**
USPC **D24/113**

(58) **Field of Classification Search**
USPC D24/112–114, 127–131, 133, 186; 606/181,
185; 604/264, 272, 115, 232, 187,
604/158, 164.08, 192, 263, 163, 181, 184,
198, 604/227; 600/101, 139, 143;
128/200.24, 128/207.14, 207.15;
D19/115–123, 177



The features shown in broken lines depict environmental subject matter only and form no part of the claimed design.

1 Claim, 9 Drawing Sheets

(56)

References Cited

U.S. PATENT DOCUMENTS

5,921,966 A * 7/1999 Bendek A61M 5/24
604/207
D462,760 S * 9/2002 Ahlgrim D24/112
D479,600 S 9/2003 Bainton
D479,601 S * 9/2003 Tyce D19/164
D479,748 S 9/2003 Tyce
D490,150 S 5/2004 Hawley et al.
D491,263 S 6/2004 Hawley et al.
D492,027 S 6/2004 Tyce et al.
D492,405 S 6/2004 Bainton
D499,485 S 12/2004 Tyce
D501,253 S 1/2005 Bainton
D503,797 S * 4/2005 Tyce D24/114
D505,490 S 5/2005 Tyce
D506,221 S 6/2005 Huang
D540,465 S 4/2007 Bainton
D542,914 S 5/2007 Tanghoj
D542,978 S 5/2007 Bortolotti
D567,852 S 4/2008 Qiu et al.
D568,988 S 5/2008 Galbraith
D598,539 S 8/2009 Tyce
D599,008 S 8/2009 Tyce
D599,009 S 8/2009 Tyce
D599,010 S 8/2009 Tyce
D599,011 S 8/2009 Tyce
D600,794 S 9/2009 Tyce
D600,795 S 9/2009 Tyce
D606,650 S 12/2009 Tyce
D608,442 S 1/2010 Tyce
7,645,264 B2 * 1/2010 Marsh A61M 5/204
128/200.24
D610,252 S 2/2010 Tyce
D610,676 S 2/2010 Tyce
D610,677 S 2/2010 Tyce

D612,486 S 3/2010 Van der Stappen
7,674,246 B2 3/2010 Gillespie et al.
D619,244 S 7/2010 Van der Stappen
D622,374 S 8/2010 Julian et al.
D626,216 S 10/2010 Tyce
D627,061 S 11/2010 Van der Stappen
D629,509 S 12/2010 Julian et al.
D687,543 S * 8/2013 Pala D24/113
D688,791 S * 8/2013 Guarraia D24/113
D688,792 S 8/2013 Guarraia et al.
D696,771 S * 12/2013 Schneider D24/113
D696,774 S 12/2013 Guarraia et al.
D696,775 S 12/2013 Guarraia et al.
D722,158 S * 2/2015 Magome D24/113
D724,721 S * 3/2015 Geert-Jensen D24/113
D734,450 S * 7/2015 Geert-Jensen D24/113
9,089,651 B2 * 7/2015 Butler A61M 5/31525
9,095,658 B2 * 8/2015 Wieselblad A61M 5/31551
9,101,722 B2 * 8/2015 Moller A61M 5/31536
9,155,842 B2 * 10/2015 Matthias A61M 5/31525
2004/0054327 A1 3/2004 Gillespie
2011/0071471 A1 * 3/2011 Dibiasi A61M 5/3202
604/111
2011/0071475 A1 * 3/2011 Horvath A61M 5/002
604/192
2013/0030383 A1 * 1/2013 Keitel A61M 5/24
604/232
2013/0041321 A1 * 2/2013 Cross A61M 5/2448
604/189
2013/0245563 A1 * 9/2013 Mercer A61M 5/3294
604/191
2014/0012205 A1 * 1/2014 Jugl A61M 5/24
604/192
2014/0039403 A1 * 2/2014 Mercer A61M 5/2448
604/191
2015/0025470 A1 * 1/2015 Baran A61M 5/003
604/187
2015/0032059 A1 * 1/2015 Allerdings G06F 19/3468
604/189
2015/0080807 A1 * 3/2015 Schneider A61M 5/20
604/189
2015/0202377 A1 * 7/2015 Haupt A61M 5/24
604/207

* cited by examiner

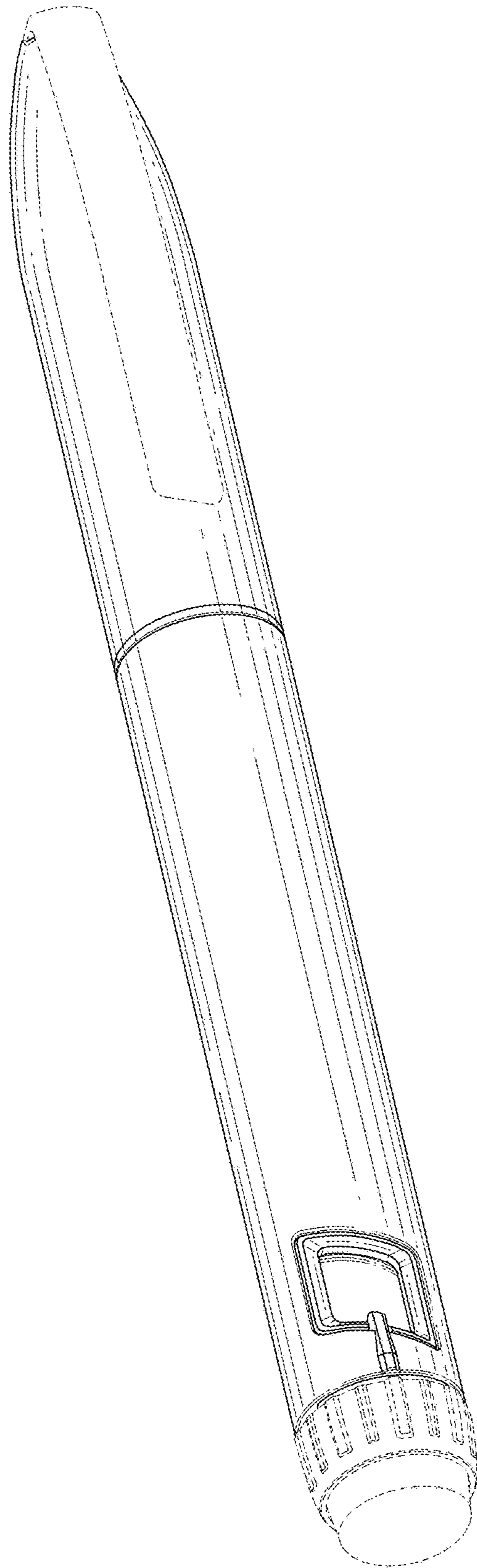


FIG. 1

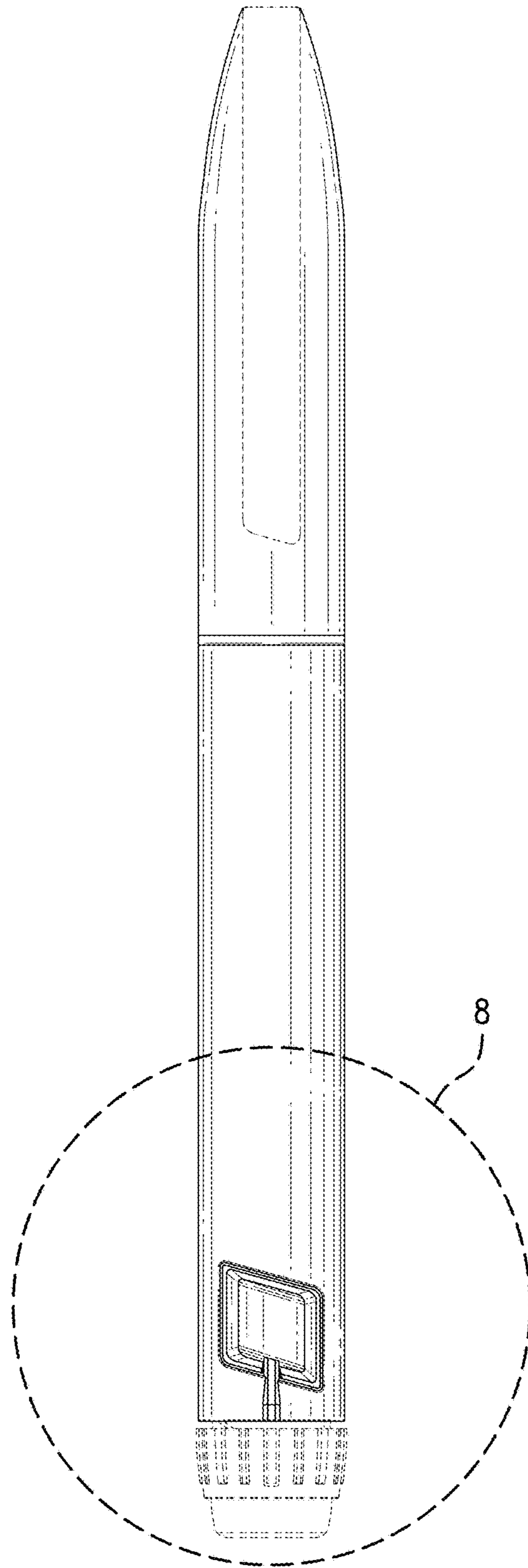


FIG. 2

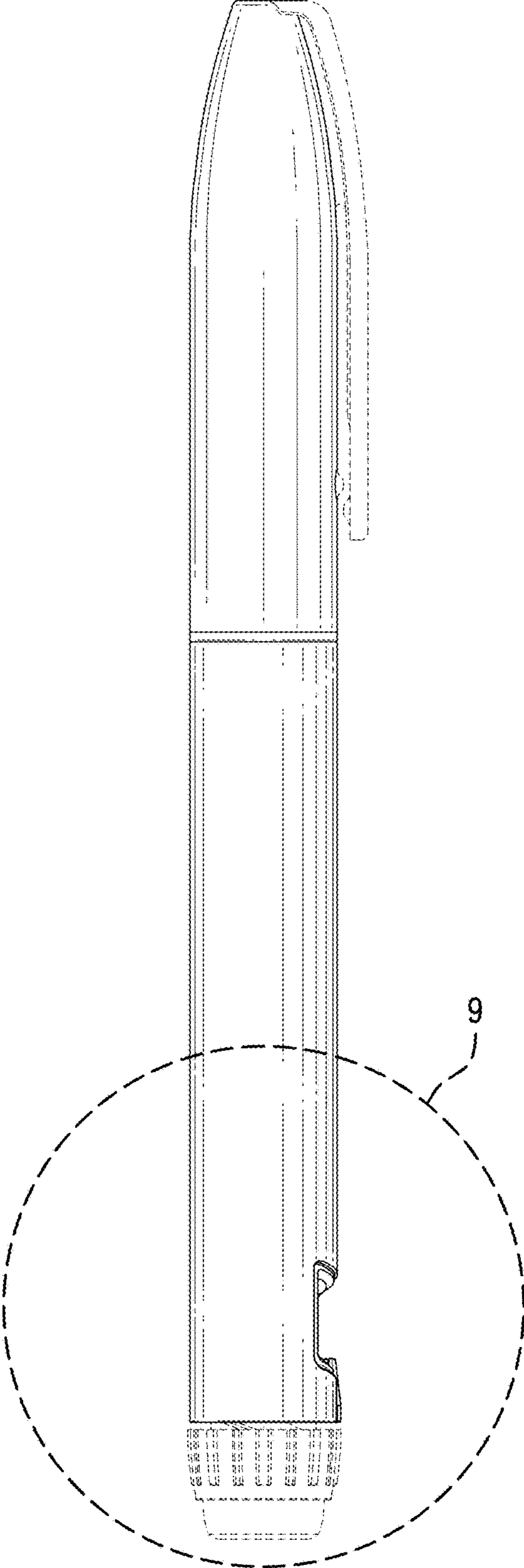


FIG. 3

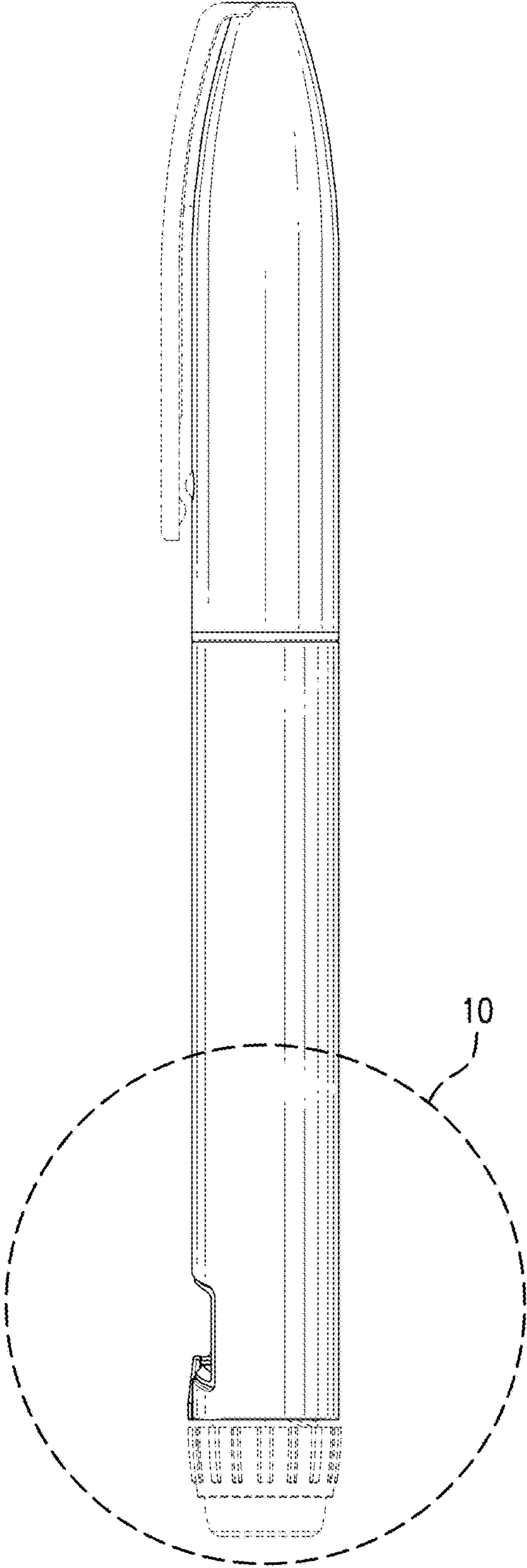


FIG.4

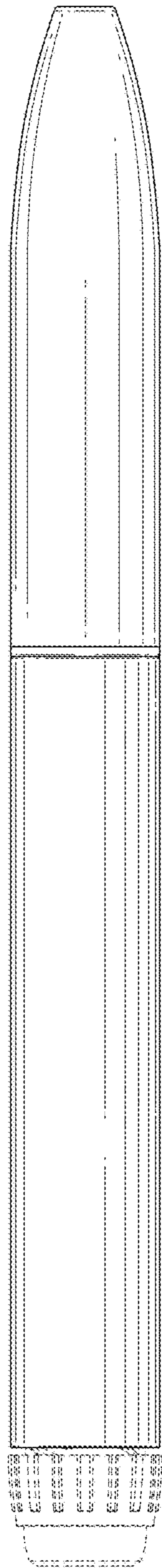


FIG. 5

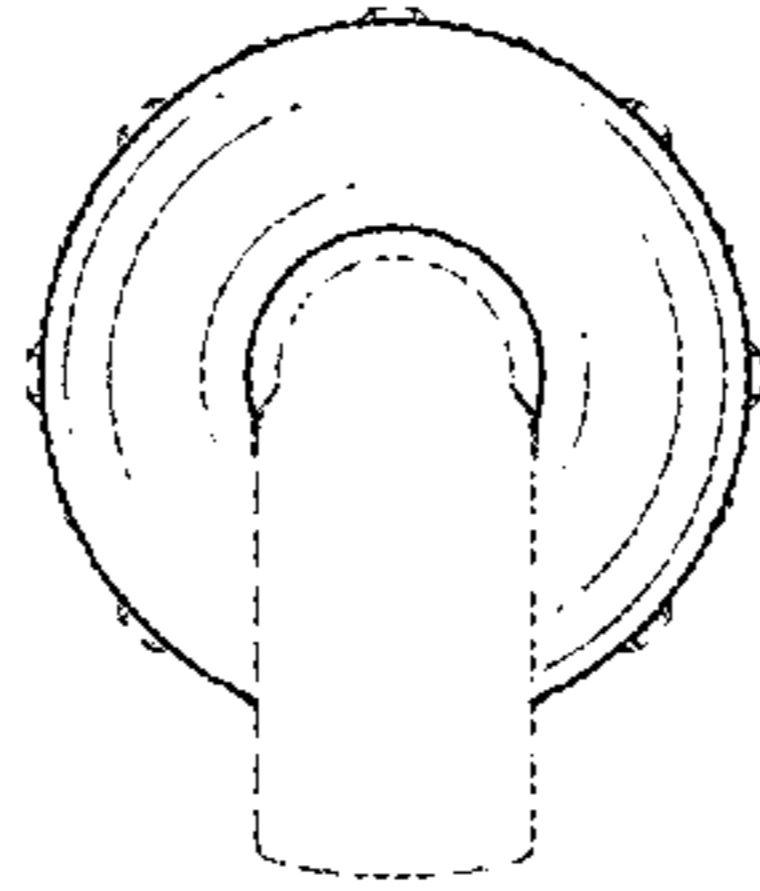


FIG. 6

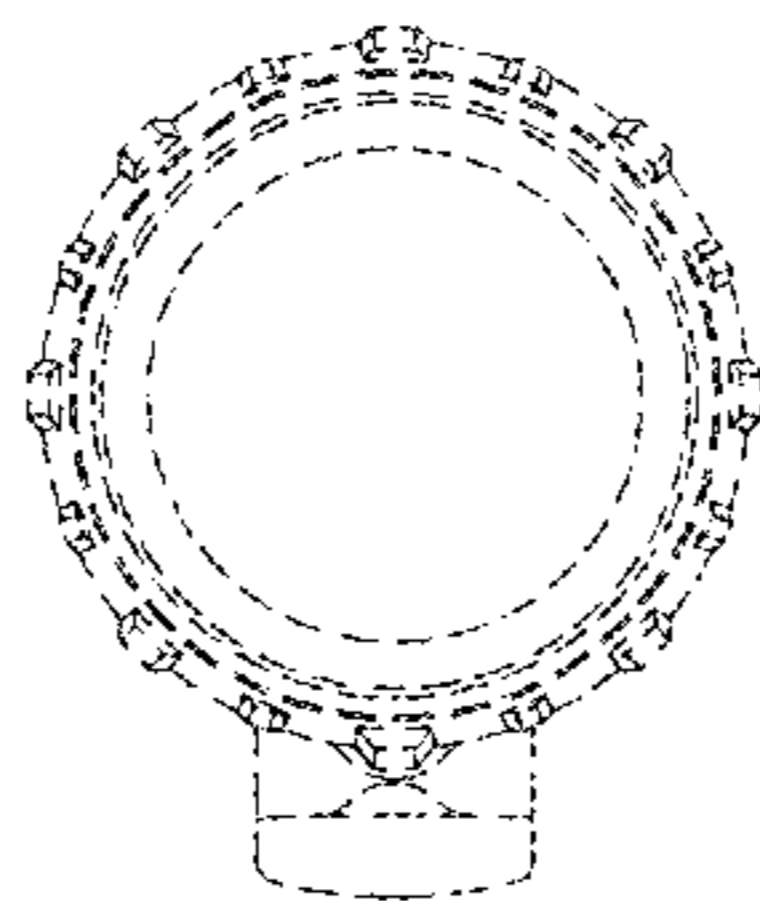


FIG. 7

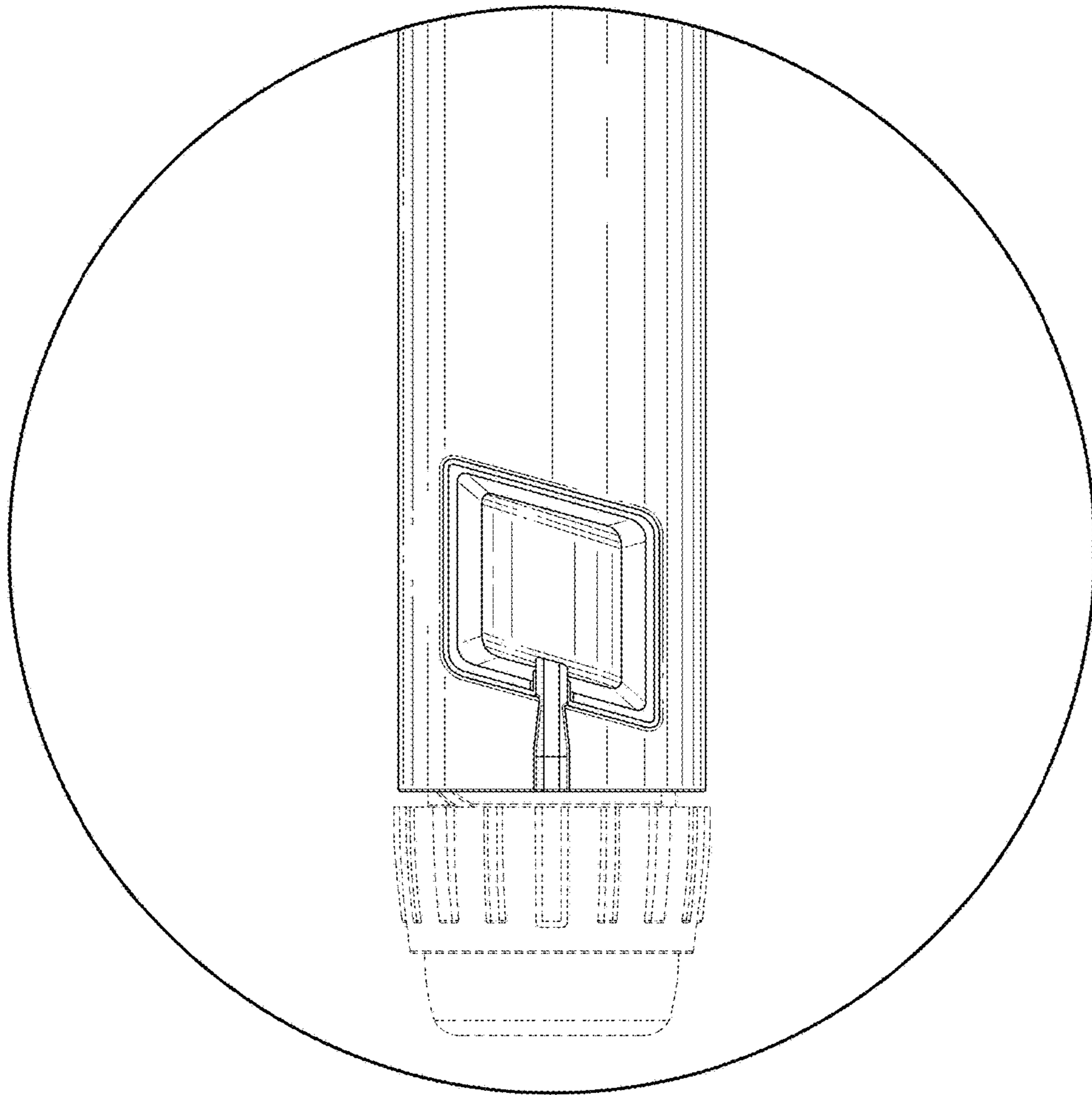


FIG. 8

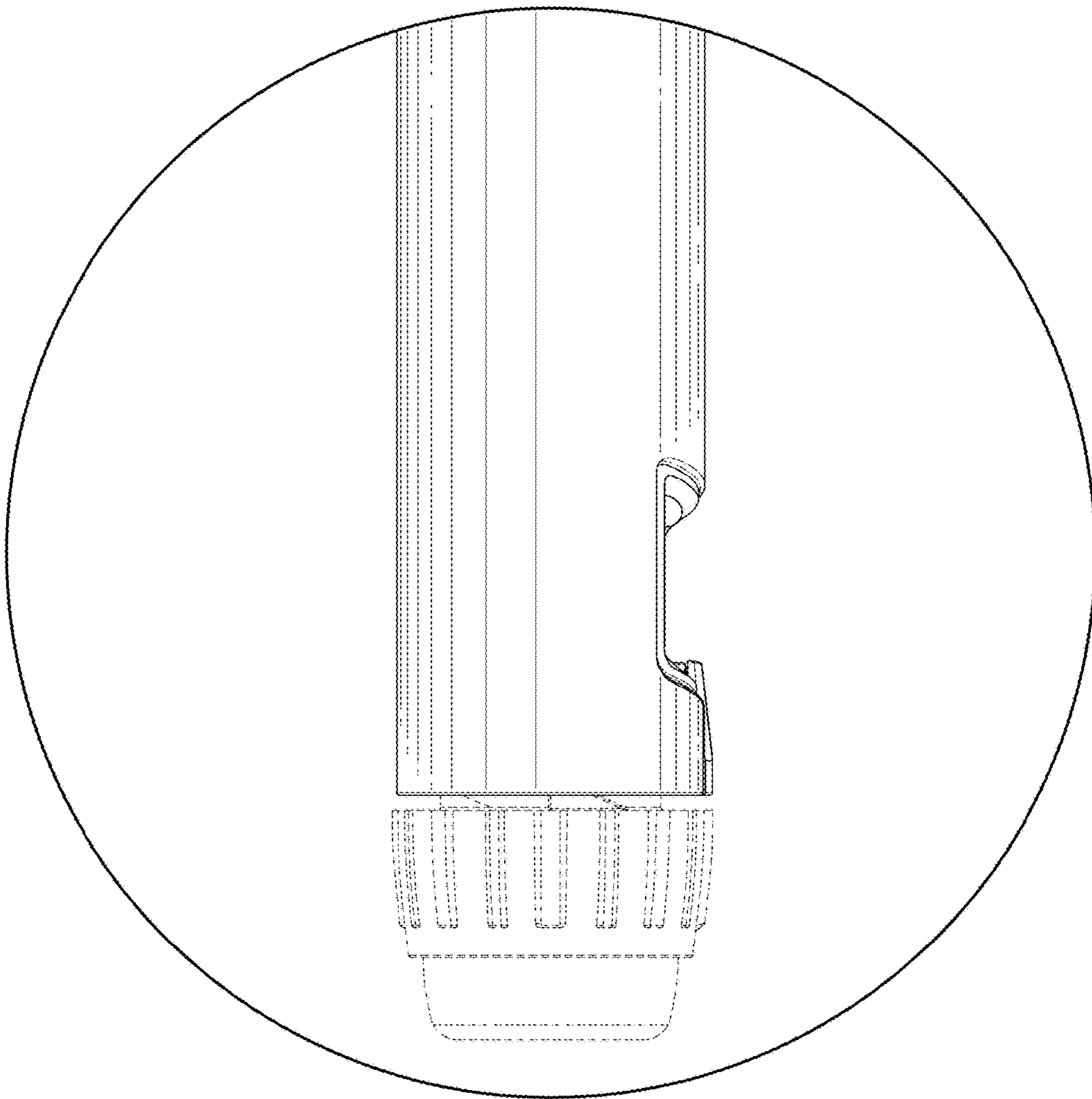


FIG. 9

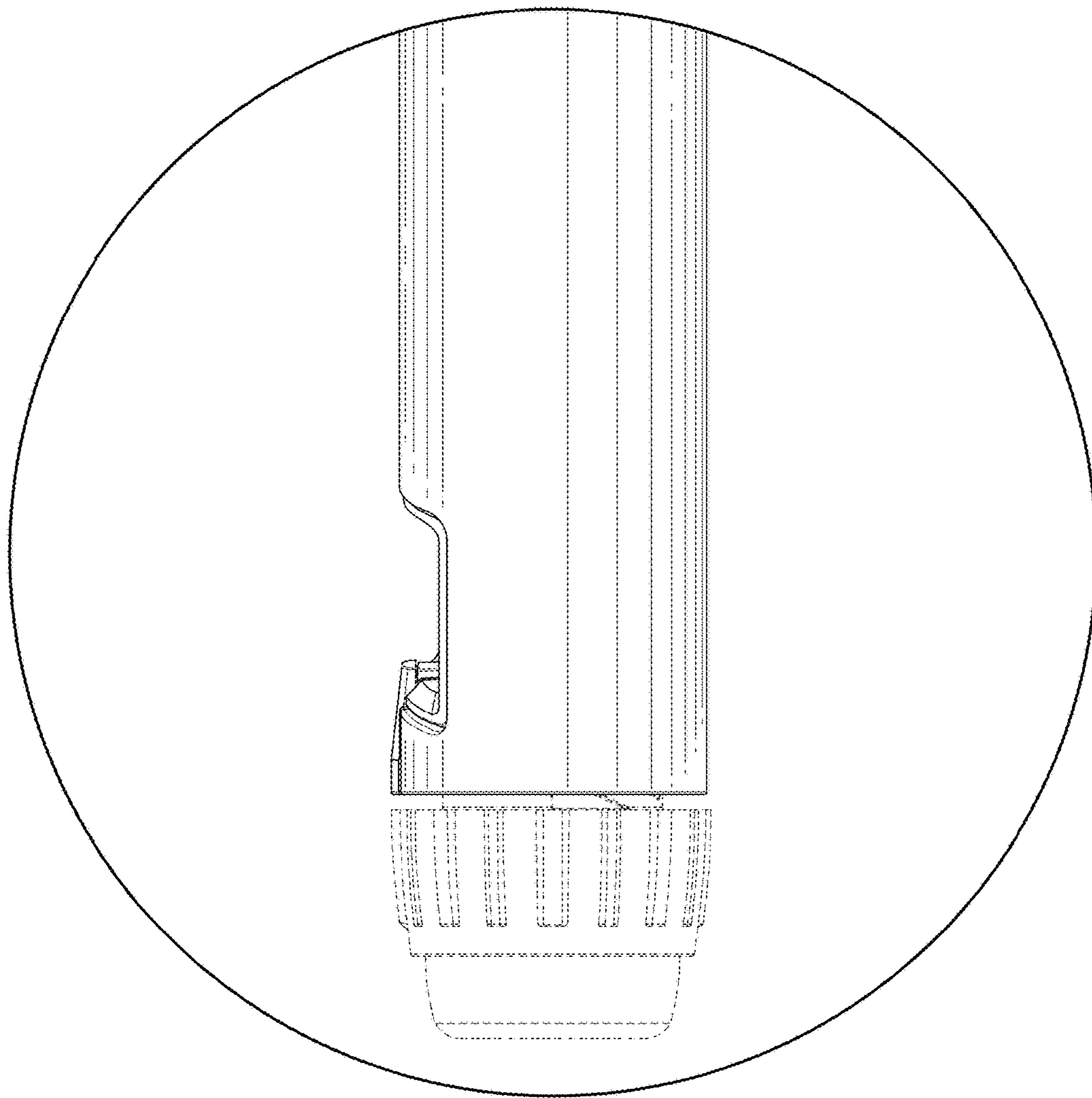


FIG. 10