



US00D773646S

(12) **United States Design Patent** (10) **Patent No.:** **US D773,646 S**
Amend Kwasnik et al. (45) **Date of Patent:** **** Dec. 6, 2016**

(54) **MEDICAL INJECTOR PEN**

(71) Applicant: **Merck Sharp & Dohme Corp.**,
Rahway, NJ (US)

(72) Inventors: **Angela M. Amend Kwasnik**,
Metuchen, NJ (US); **Benjamin R. Bartfeld**,
West Orange, NJ (US); **Peter Basile**,
Bloomsbury, NJ (US); **Jeffrey C. Givand**,
North Wales, PA (US); **Philip G. Green**,
Weehawken, NJ (US); **Sharad Gupta**,
Madison, NJ (US); **Christin L. O'Neill**,
Philadelphia, PA (US); **Steven Carl Persak**,
Lebanon, NJ (US); **Robert Stianchi**,
Hillsborough, NJ (US); **Ari Tao Adler**,
Cambridge, MA (US); **Florian Altmann**,
München (DE); **Thomas Junk**,
München (DE); **Florian Kössler**,
München (DE); **Martin Meier**,
München (DE); **Scott R. Mackie**,
New Haven, CT (US); **Pernilla Danielsson**,
Stockholm (SE)

(73) Assignee: **Merck Sharp & Dohme Corp.**,
Rahway, NJ (US)

(**) Term: **14 Years**

(21) Appl. No.: **29/500,640**

(22) Filed: **Aug. 27, 2014**

(51) **LOC (10) Cl.** **24-02**

(52) **U.S. Cl.**
USPC **D24/113**

(58) **Field of Classification Search**
USPC D24/112-114, 127-131, 133, 186; 606/181,
185; 604/264, 272, 115, 232, 187,
604/158, 164.08, 192, 263, 163, 181, 184,
198, 604/227; 600/101, 139, 143;
128/200.24, 128/207.14, 207.15;
D19/115-123, 177

CPC A61M 5/3156; A61M 5/31591; A61M
5/3155; A61M 5/3157; A61M
5/24; A61M 5/31501; A61M
5/31551; A61M 5/31585; A61M
2005/2407; A61M 2005/2492; A61M
2205/581; A61M 2205/582
See application file for complete search history.

(56) **References Cited**

U.S. PATENT DOCUMENTS

| | | | |
|---------------|---------|----------------|-------------------------|
| 1,686,055 A | 10/1928 | Whiteside | |
| D147,579 S | 9/1947 | Campbell | |
| D279,504 S | 7/1985 | Tump | |
| D298,653 S | 11/1988 | Maietta | |
| D320,084 S | 9/1991 | Stewart et al. | |
| D369,384 S | 4/1996 | Yasoshima | |
| 5,645,534 A * | 7/1997 | Chanoch | A61M 5/31535 206/534 |

(Continued)

Primary Examiner — David Muller
Assistant Examiner — Nathan Johnston
 (74) *Attorney, Agent, or Firm* — John David Reilly;
 Gloria Fuentes

(57) **CLAIM**

The ornamental design for a medical injector pen, as shown and described.

DESCRIPTION

FIG. 1 is a perspective view of a medical injector pen showing our new design;
 FIG. 2 is a front elevation view thereof;
 FIG. 3 is a left side elevation view thereof;
 FIG. 4 is a right side elevation view thereof;
 FIG. 5 is a rear elevation view thereof;
 FIG. 6 is a top plan view thereof;
 FIG. 7 is a bottom plan view thereof;
 FIG. 8 is an enlarged fragmentary view of the encircled portion labeled as "8" in FIG. 2.
 FIG. 9 is an enlarged fragmentary view of the encircled portion labeled as "9" in FIG. 3; and,

(Continued)

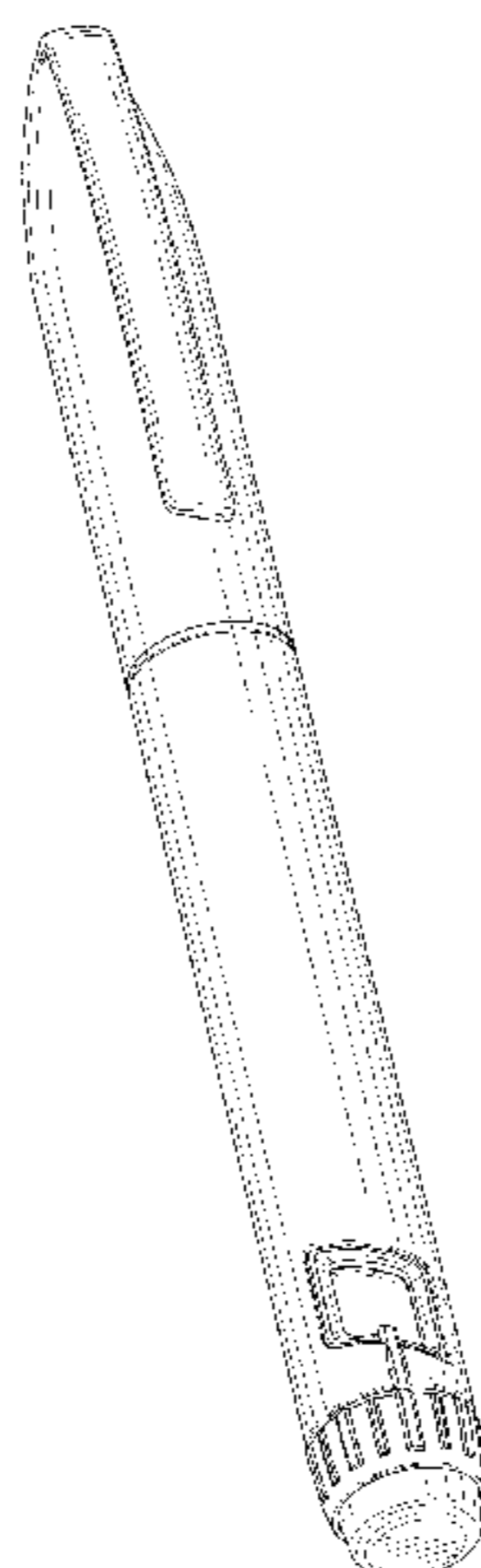


FIG. 10 is an enlarged fragmentary view of the encircled portion labeled as "10" in FIG. 4.

1 Claim, 9 Drawing Sheets

(56)

References Cited

U.S. PATENT DOCUMENTS

5,921,966 A * 7/1999 Bendek A61M 5/24
604/207
6,001,082 A * 12/1999 Dair A61M 5/31525
604/187
D479,600 S 9/2003 Bainton
D479,603 S * 9/2003 Tyce D19/164
D479,748 S 9/2003 Tyce
D490,150 S 5/2004 Hawley et al.
D491,263 S 6/2004 Hawley et al.
D492,027 S * 6/2004 Tyce D19/167
D492,405 S 6/2004 Bainton
D499,485 S 12/2004 Tyce
D501,253 S * 1/2005 Bainton D19/164
D503,797 S * 4/2005 Tyce D24/114
D505,490 S 5/2005 Tyce
D506,221 S 6/2005 Huang
D540,465 S 4/2007 Bainton
D542,914 S 5/2007 Tanghoj
D542,978 S 5/2007 Bortolotti
D567,852 S 4/2008 Qiu et al.
D568,988 S 5/2008 Galbraith
D598,539 S 8/2009 Tyce
D599,008 S 8/2009 Tyce
D599,009 S 8/2009 Tyce
D599,010 S 8/2009 Tyce
D599,011 S 8/2009 Tyce
D600,794 S 9/2009 Tyce
D600,795 S 9/2009 Tyce
D606,650 S 12/2009 Tyce
D608,442 S 1/2010 Tyce
D610,252 S 2/2010 Tyce

D610,676 S 2/2010 Tyce
D610,677 S 2/2010 Tyce
D612,486 S 3/2010 Van der Stappen
7,674,246 B2 3/2010 Gillespie et al.
D619,244 S 7/2010 Van der Stappen
D622,374 S 8/2010 Julian et al.
D626,216 S 10/2010 Tyce
D627,061 S 11/2010 Van der Stappen
D629,509 S 12/2010 Julian et al.
D687,543 S * 8/2013 Pala D24/113
D688,791 S * 8/2013 Guarraia D24/113
D688,792 S 8/2013 Guarraia et al.
D696,773 S * 12/2013 Schneider D24/113
D696,774 S 12/2013 Guarraia et al.
D696,775 S 12/2013 Guarraia et al.
D703,314 S * 4/2014 Schneider D24/113
D714,932 S * 10/2014 Hall D24/112
D717,940 S * 11/2014 Magome D24/113
D722,158 S * 2/2015 Magome D24/113
9,005,171 B2 * 4/2015 Jones A61M 5/24
604/189
9,095,658 B2 * 8/2015 Wieselblad A61M 5/31551
9,101,722 B2 * 8/2015 Moller A61M 5/31536
9,155,842 B2 * 10/2015 Matthias A61M 5/31525
2004/0054327 A1 3/2004 Gillespie
2011/0071471 A1 * 3/2011 DiBiasi A61M 5/3202
604/111
2012/0041417 A1 * 2/2012 Searle A61M 5/002
604/506
2013/0023830 A1 * 1/2013 Bode A61M 5/24
604/192
2014/0012205 A1 * 1/2014 Jugl A61M 5/24
604/192
2015/0032059 A1 * 1/2015 Allerdings G06F 19/3468
604/189
2015/0038916 A1 * 2/2015 Moller A61M 5/31525
604/211
2015/0057619 A1 * 2/2015 Osman A61M 5/24
604/189
2015/0202377 A1 * 7/2015 Haupt A61M 5/24
604/207

* cited by examiner

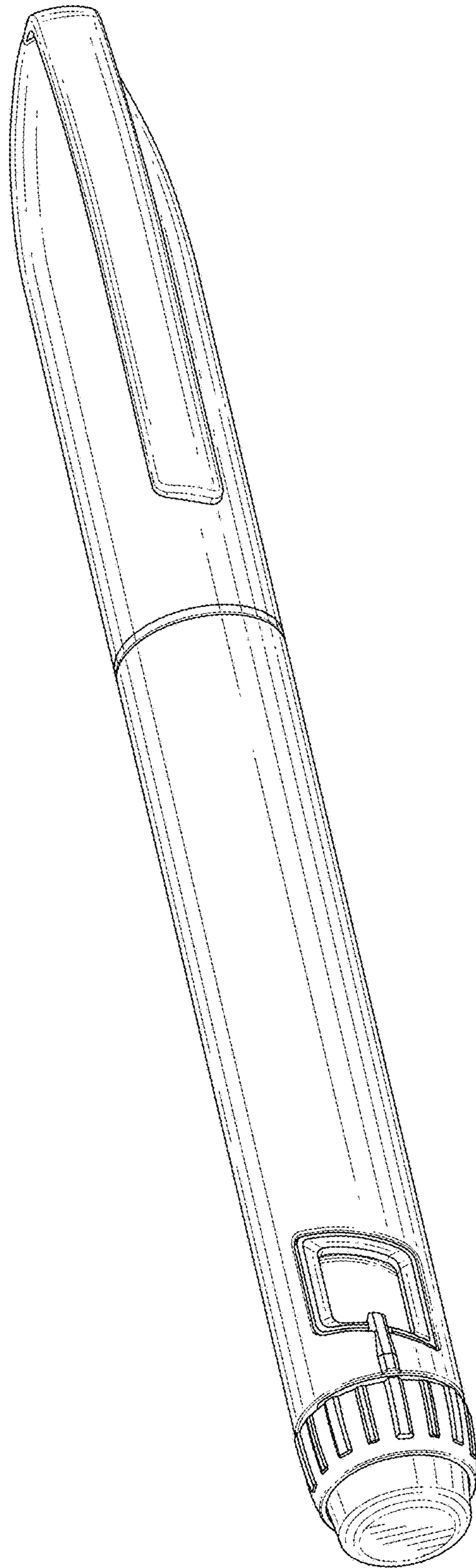


FIG. 1

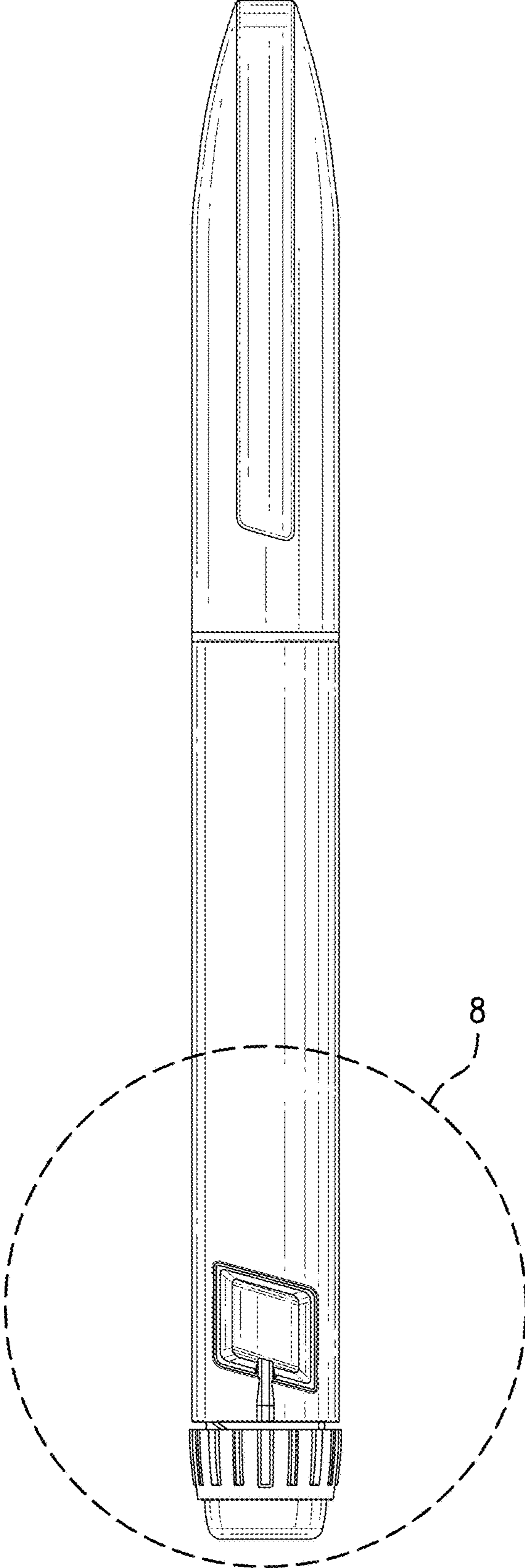


FIG.2

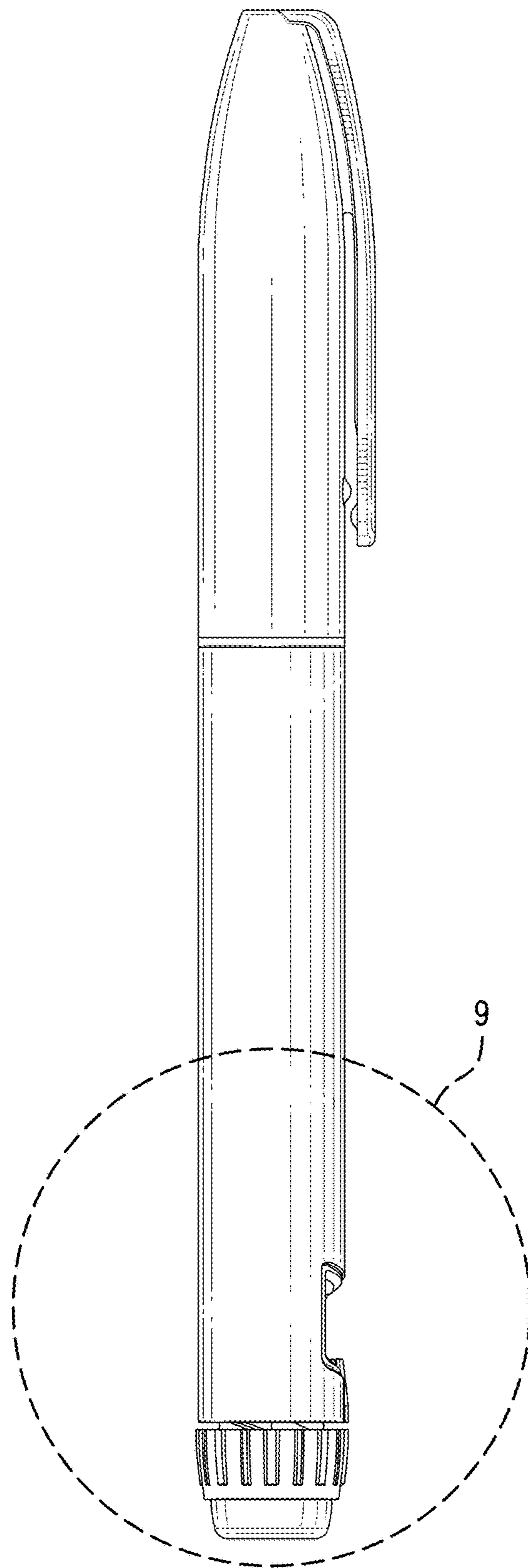


FIG. 3

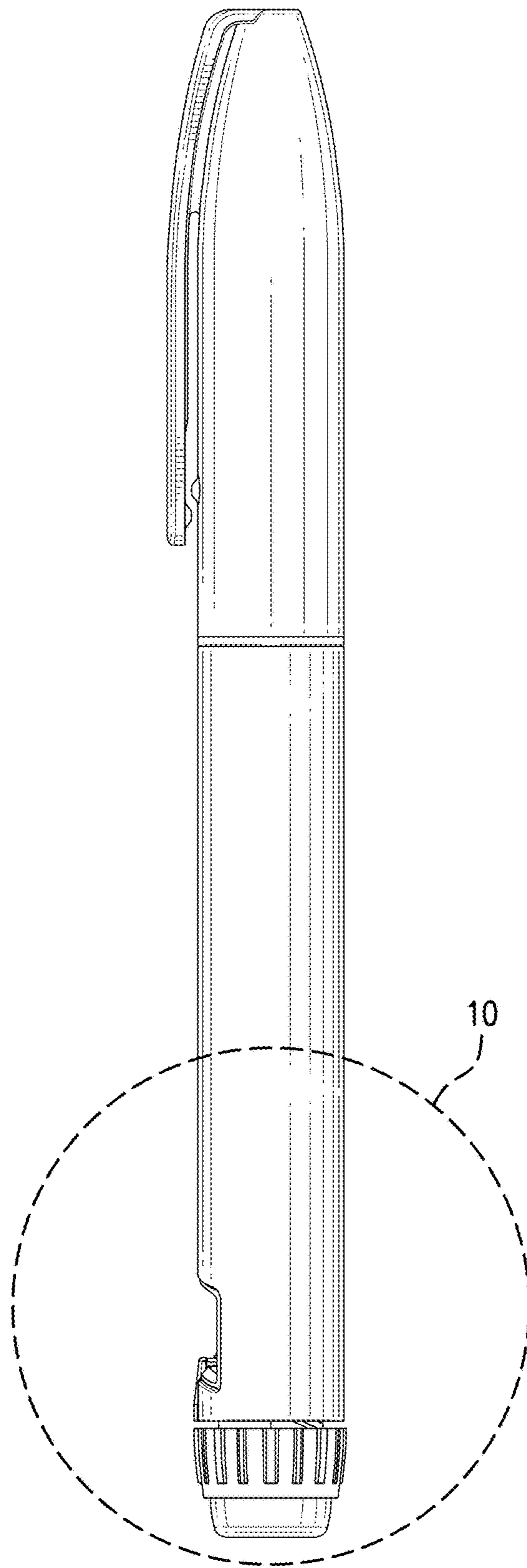


FIG.4

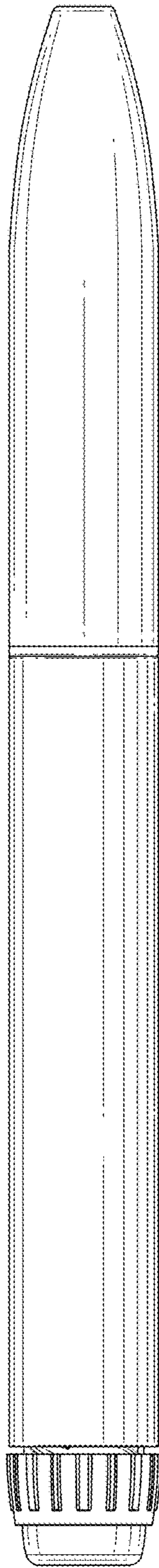


FIG. 5

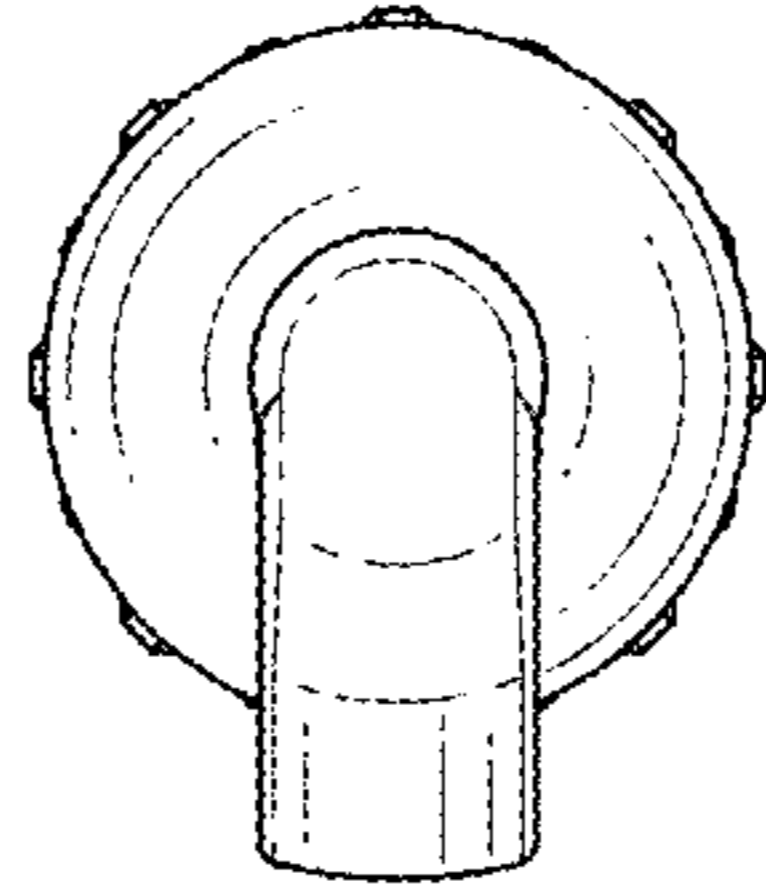


FIG. 6

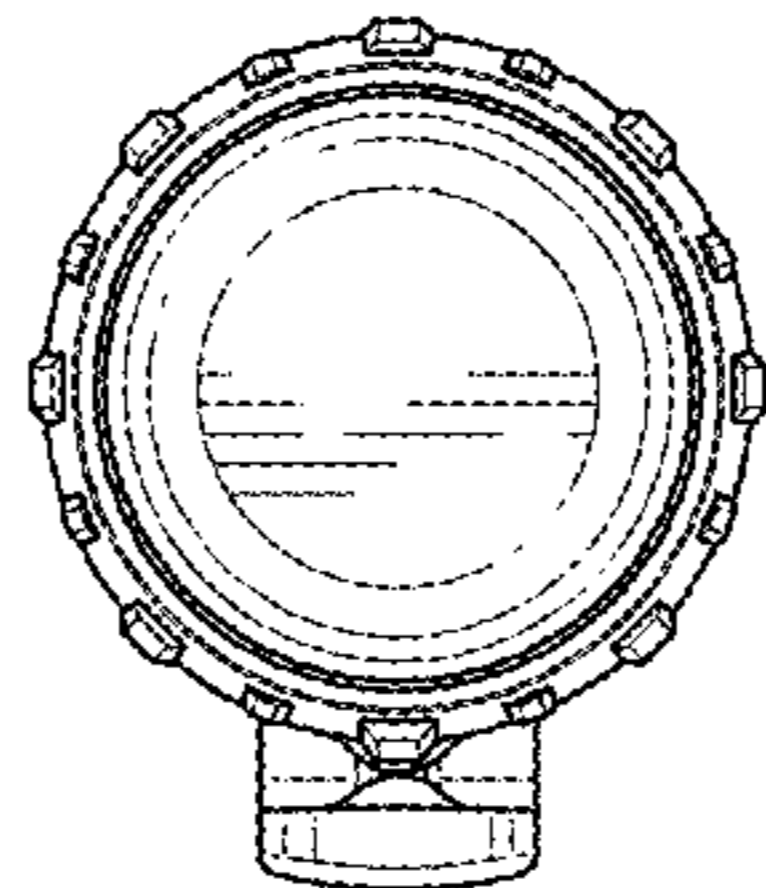


FIG. 7

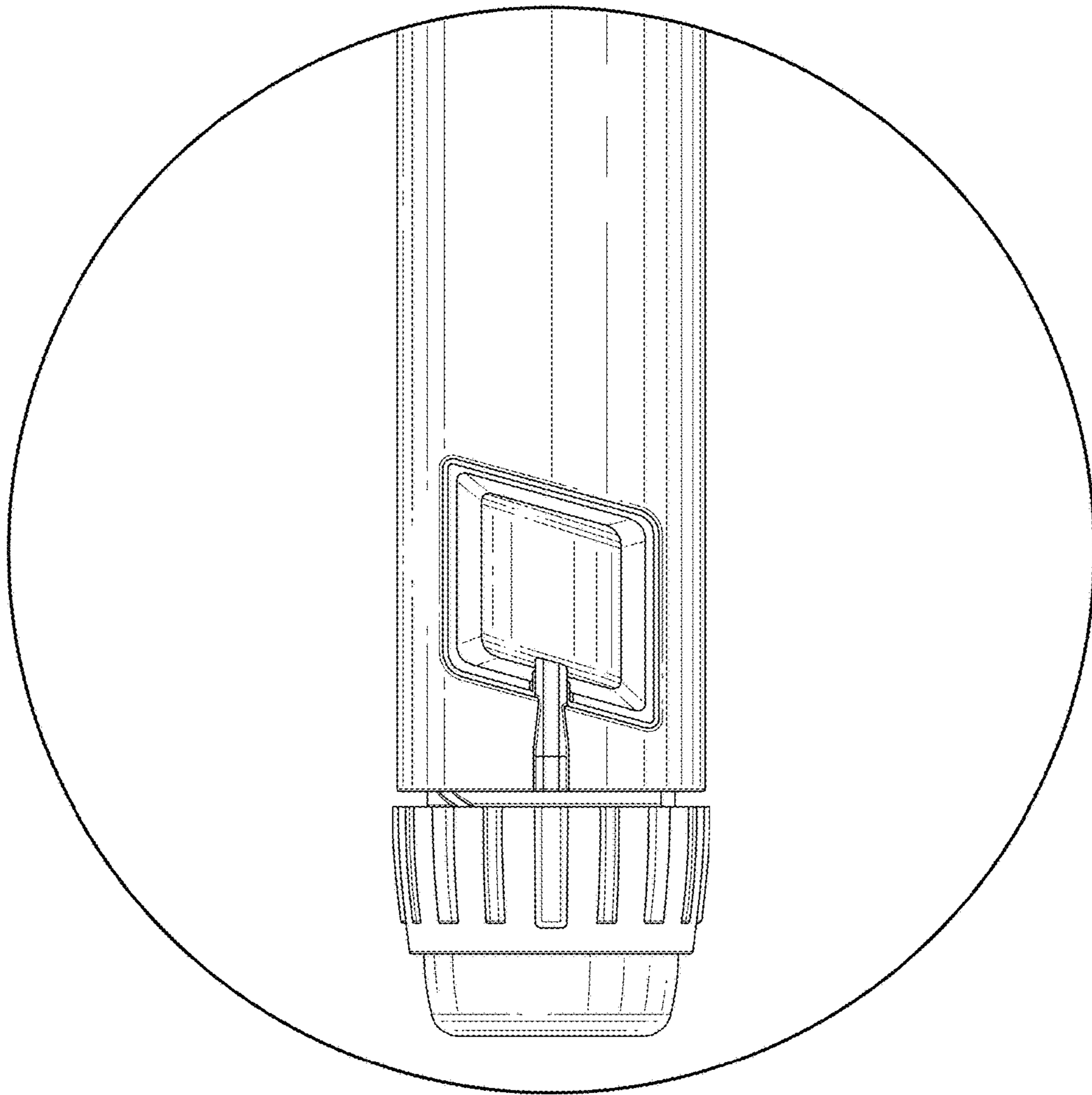


FIG. 8

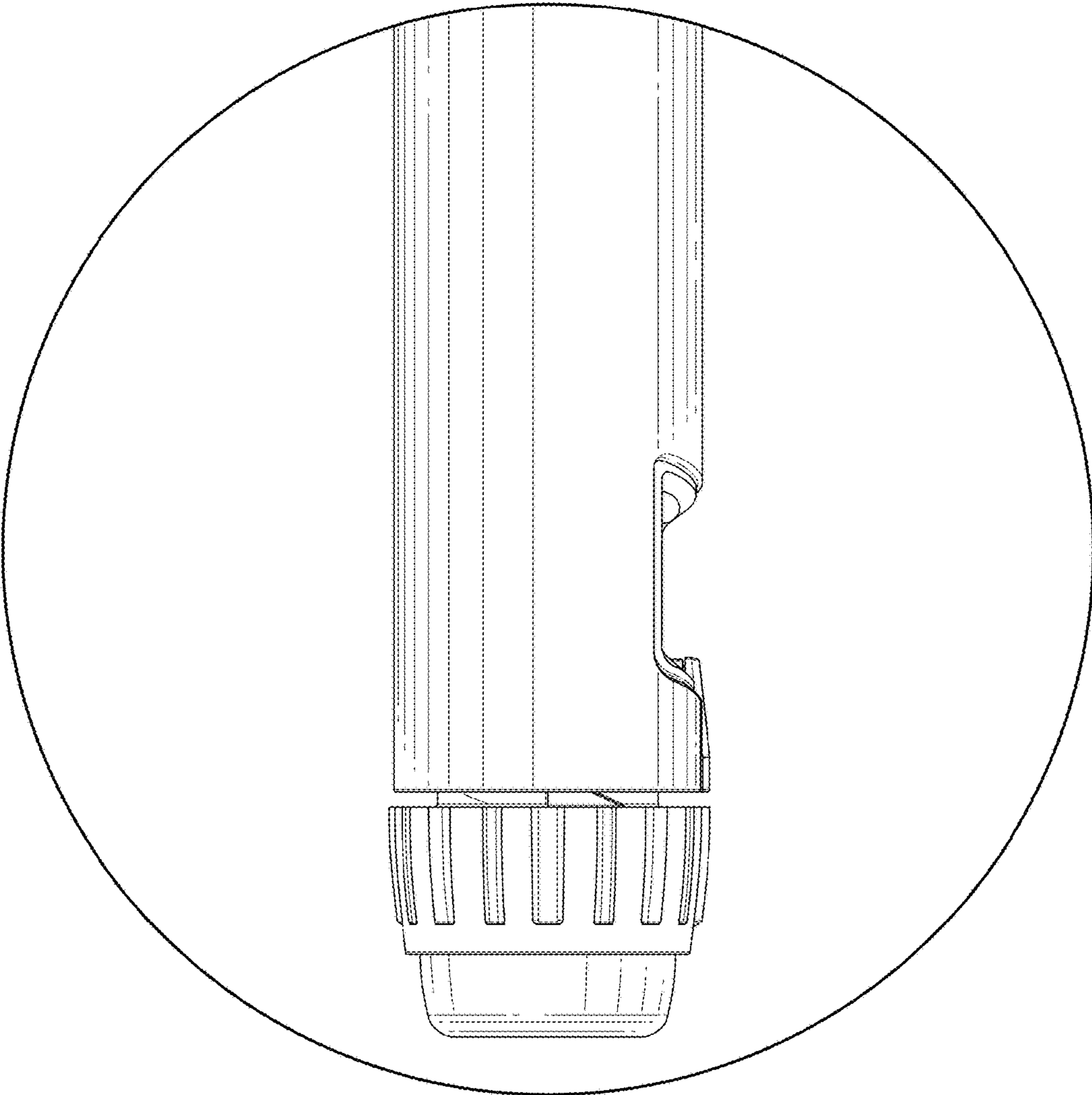


FIG. 9

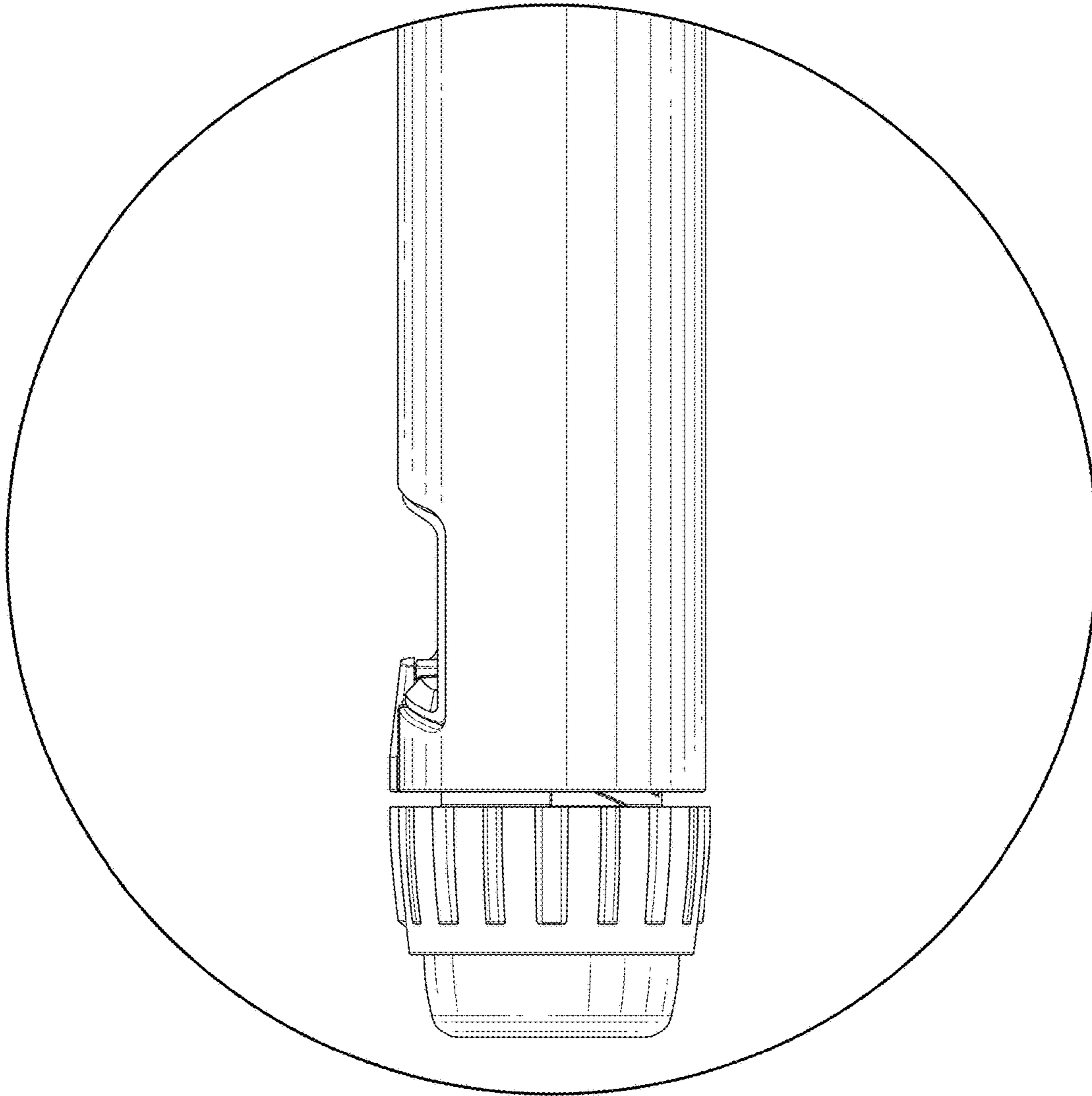


FIG. 10